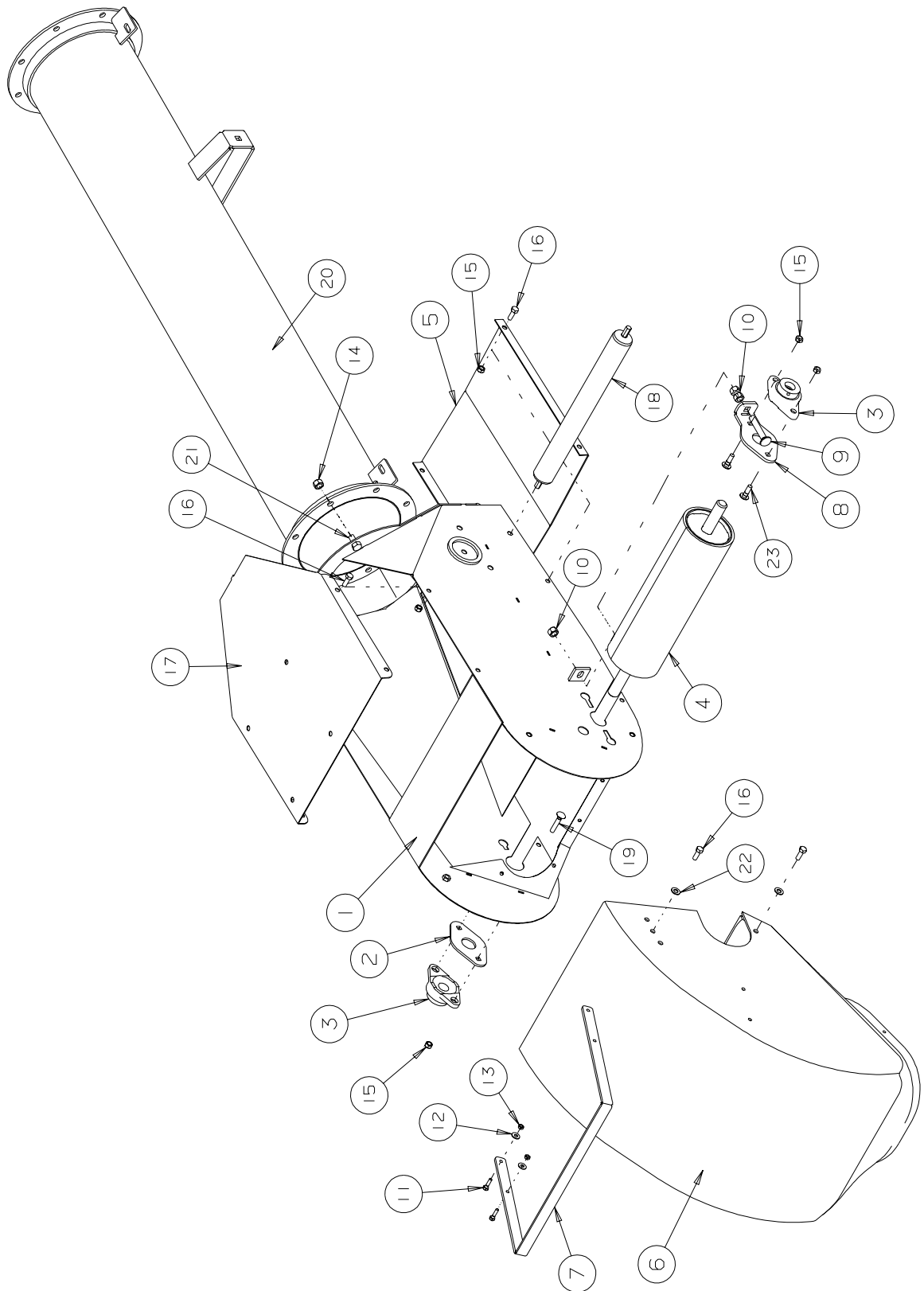


***1515 GRAINBELT TRANSFER
CONVEYOR
2000***

PARTS LIST

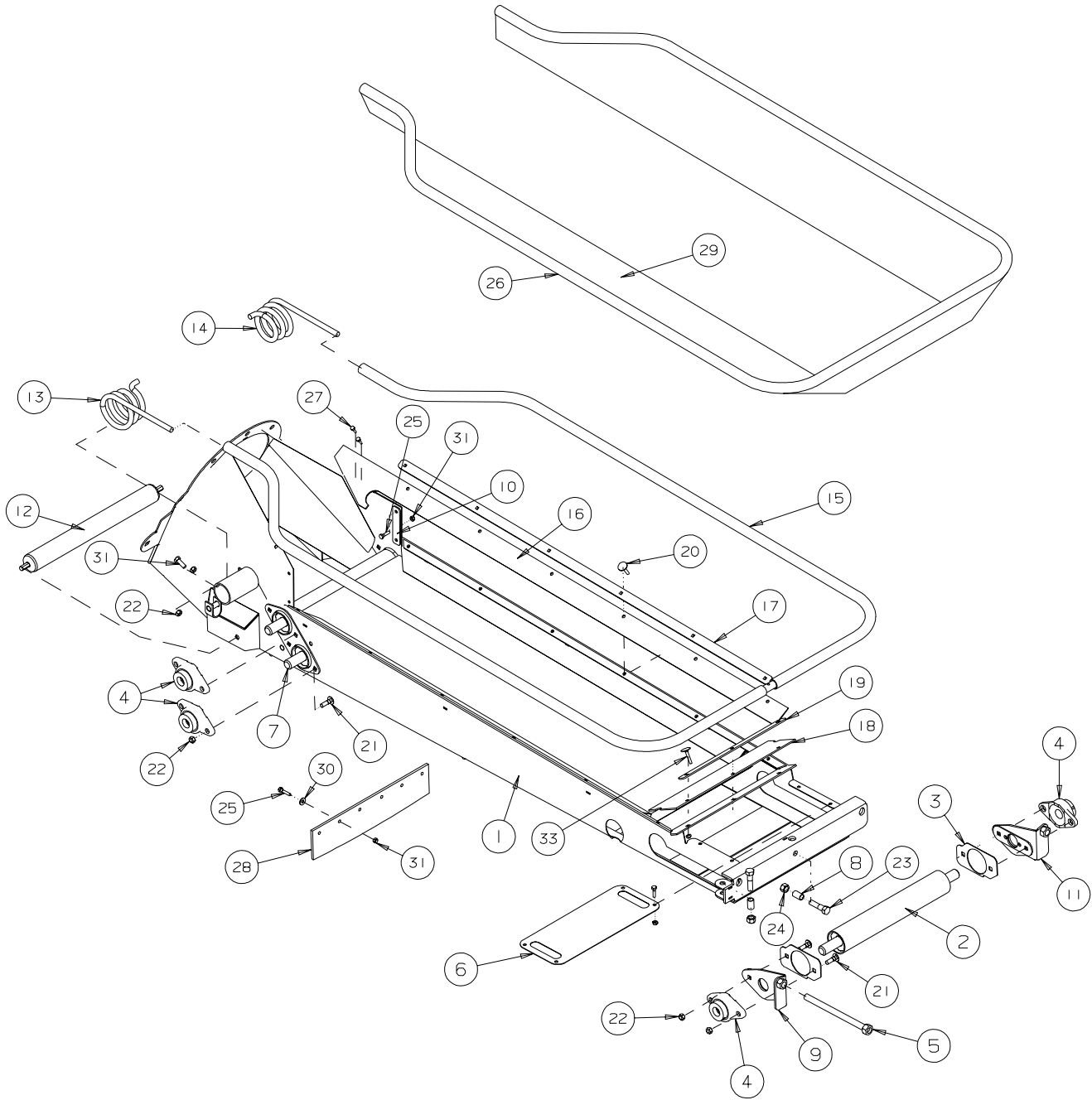
SERIAL NOS. 48799 - 49506

DISCHARGE ASSEMBLY - GRAIN BELT TRANSFER CONVEYOR - 2000
SERIAL NOS. 48799 - 49506



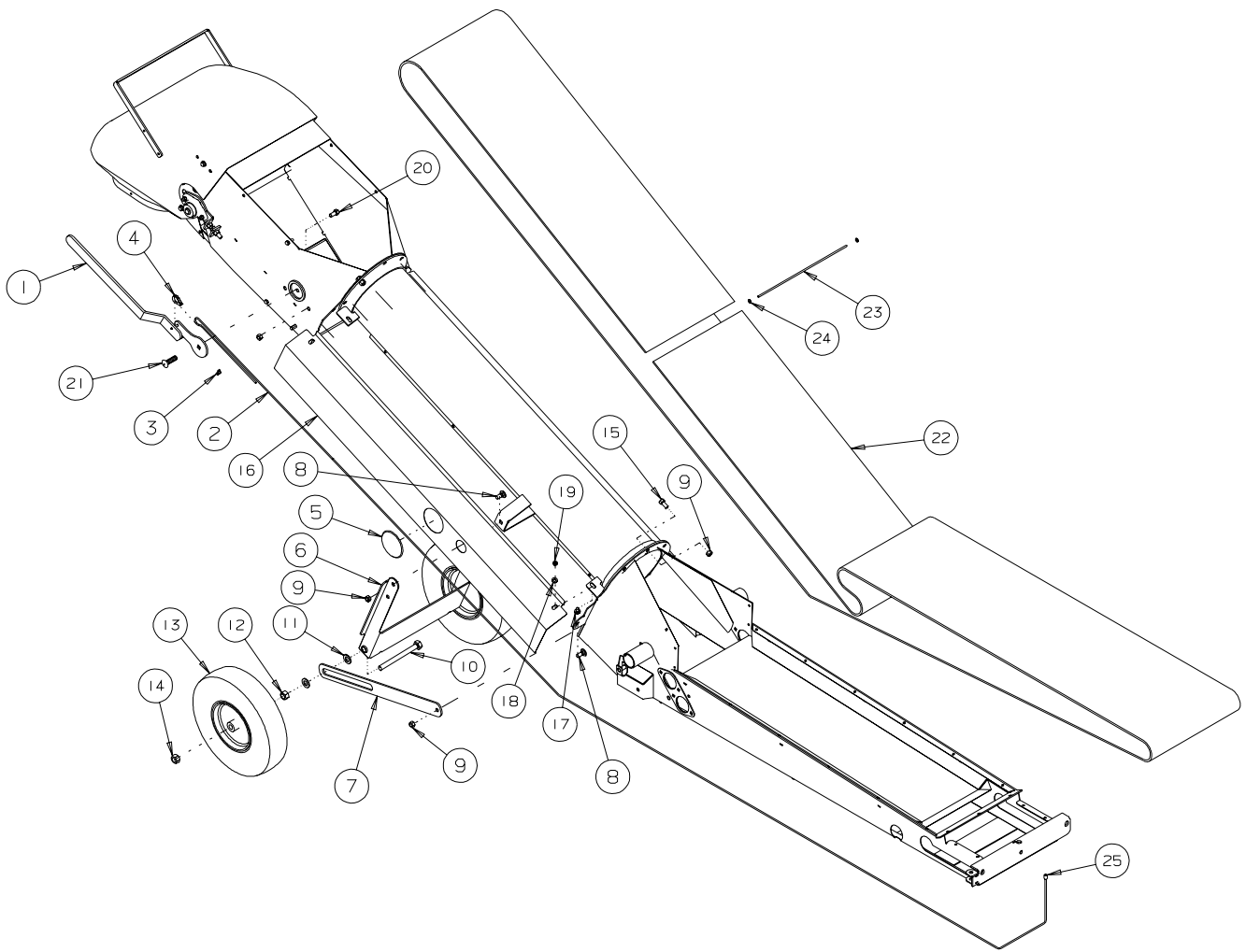
REF #	PART NO.	DESCRIPTION
1	C200717	Discharge Weldment
2	C200646	Bearing Plate- 1"
3	B017050	1" dia Bearing- 2 Bolt Flange
4	C200751	5" Roller - Keyed and Lagged
5	C200605	Bottom Discharge Guard
6	B027600	Plastic Discharge Spout
7	C200641	Transfer Handle
8	C200793	Shaft Guard - 1"
9	B001091	1/2"x 3" Carriage Bolt - Full Thread
10	B001135	1/2" Hex Nut
11	B001003	1/4"x 1" Bolt
12	B001147	1/4" Flatwasher
13	B001124	1/4" Lock Nut
14	B001136	1/2" Lock Nut
15	B0011325	3/8" Stover Lock nut
16	B001024	3/8"x 1" Bolt
17	C200633	Discharge Cap
18	B021250	1.9" OD x 18" Roller
19	B001085	3/8"x 2" Carriage Bolt
20	C200741A	Transfer Tube Assembly
21	B001039	1/2"x 1" Bolt
22	B001149	3/8" Flatwasher
23	B001083	3/8"x 1 1/2" Carriage Bolt

INTAKE ASSEMBLY - GRAIN BELT TRANSFER CONVEYOR - 2000
SERIAL NOS. 48799 - 49506



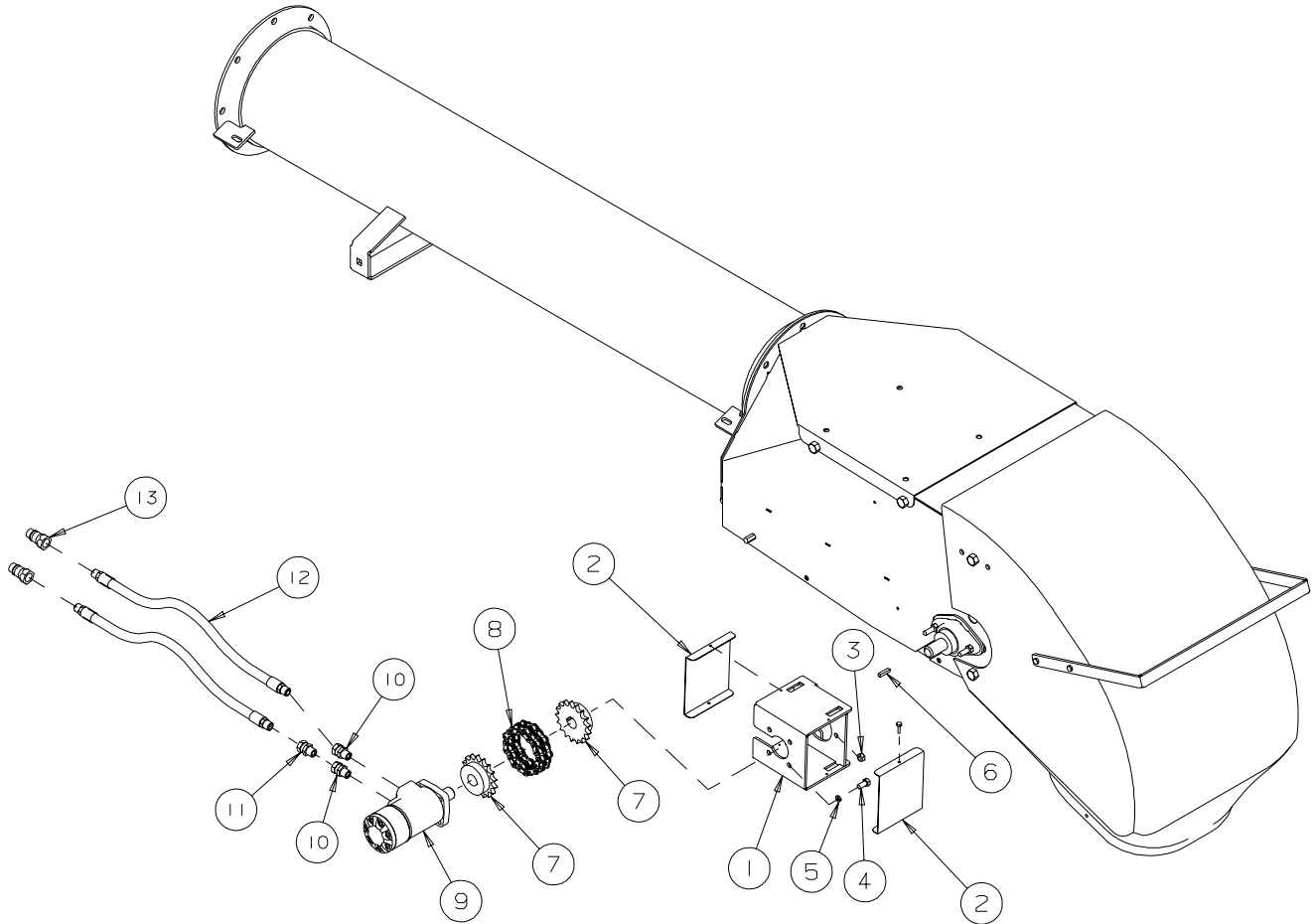
REF #	PART NO.	DESCRIPTION
1	C200742	Transfer Hopper Weldment
2	C200756	2 1/2" Transfer Take-up Roller
3	C200636	Back Plate
4	B017050	1" dia Bearing - 2 Bolt Flange
5	B002600	5/8"x 9" Bolt - Full Thread
6	C200634	Transfer Guard
7	C200743	2 1/2" Transfer S Roller
8	B002310	Spacer - 5/8" OD x .512" ID x 1" Long
9	C200745L	Transfer Adjustment Bracket - Left
10	C200796	Hopper Flap
11	C200745R	Transfer Adjustment Bracket - Right
12	B021250	1.9" x 18" Roller
13	B021740L	Hopper Spring - Left
14	B021740R	Hopper Spring - Right
15	C200794	Transfer Hopper Rail
16	B027515R	Transfer Hopper Flashing - Right
NS	B027515L	Transfer Hopper Flashing - Left
17	C200631	Side Fabric Strap
18	B027517	Transfer Hopper Rear Flashing
19	C200632	Rear fabric Strap
20	B002225	1/4"x 1 1/2" Elevator Bolt
21	B001083	3/8"x 1 1/2" Carriage Bolt
22	B0011325	3/8" Lock Nut
23	B001044	1/2"x 2" Bolt
24	B001136	1/2" Lock Nut
25	B001003	1/4"x 1" Bolt
26	B024082	1" Rubber Hose x 140" Long
27	B002036	#10 x 5/8" TEK Screw
28	B027518	Transfer Hopper Dozer Flashing
29	B021421	Transfer Hopper Fabric
30	B001147	1/4" Flatwasher
31	B001124	1/4" Lock Nut
32	B001024	3/8"x 1" Bolt
33	B002226	1/4"x 1" Elevator Bolt

UNDERCARRIAGE ASSEMBLY - GRAIN BELT TRANSFER CONVEYOR - 2000
SERIAL NOS. 48799 - 49506



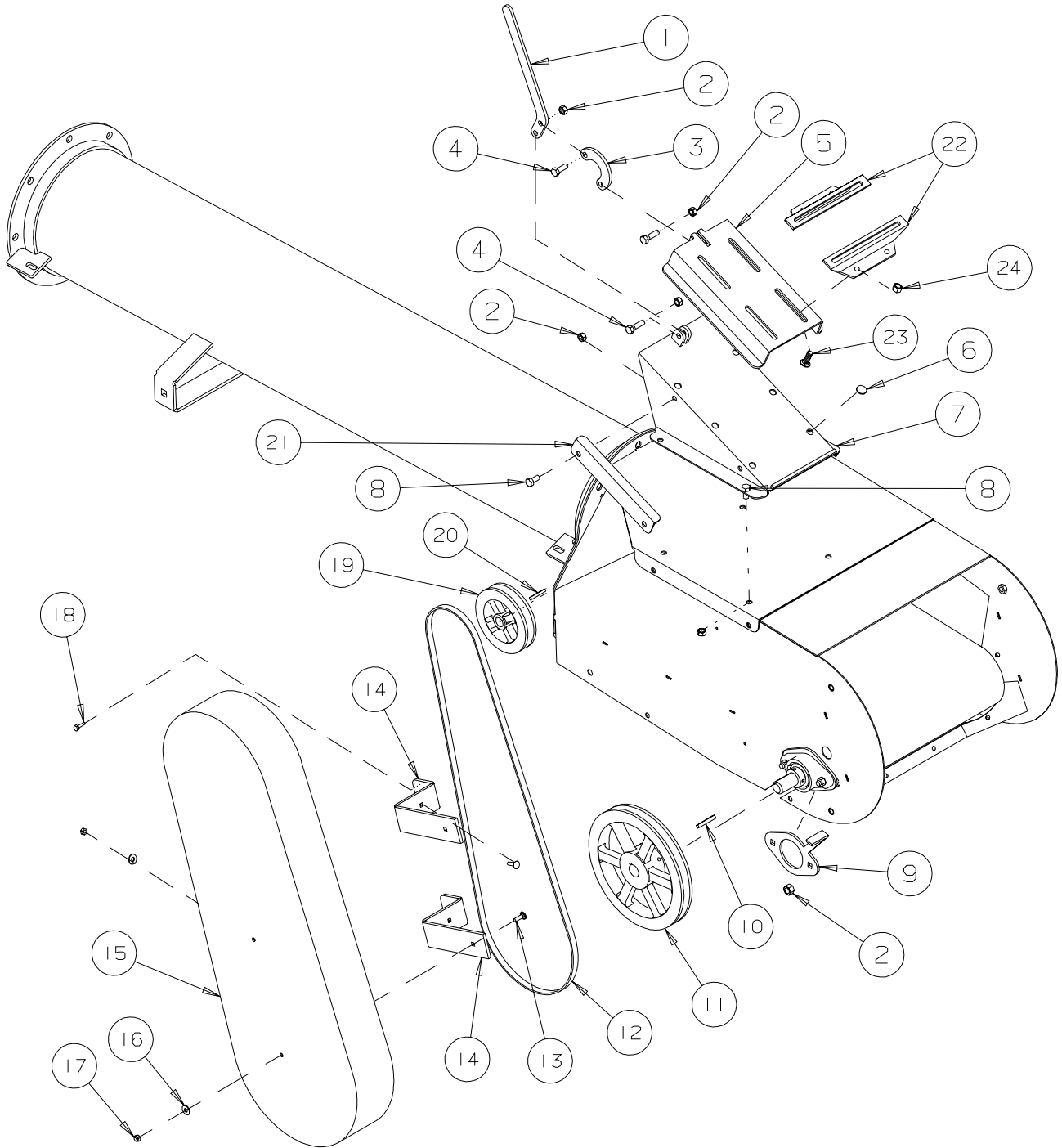
REF #	PART NO.	DESCRIPTION
1	C200784	Transfer Handle
2	B008405	3/16" Cable x 14'-7"
3	B008060	3/16" Cable Clamp
4	B008061	3/16" Cable Thimble
5	B028187	4" dia Plastic Plug
6	C200749	Transfer Frame
7	C200637	Frame Slide
8	B0010875	1/2"x 1 1/4" Carriage Bolt
9	B001134	1/2" Stover Lock Nut
10	B002601	3/4"x 7 1/2" Bolt - Full Thread
11	B001157	3/4" SAE Flatwasher
12	B001142	3/4" Hex Nut
13	B011211	4.80"x 8" Tire & Rim
14	B001154	3/4" Stover Lock Nut
15	B001139	1/2"x 1" Bolt
16	C200638	Transfer Wind Guard - Left
NS	C200638M	Transfer Wind Guard - Right
17	B001082	3/8"x 1" Carriage Bolt
18	B0011495	3/8" SAE Flatwasher
19	B0011325	3/8" Stover Lock Nut
20	B001139	1/2"x 1" Bolt
21	B0010875	1/2"x 1 1/4" Carriage Bolt
22	B018615	PVC Belt x 15" Wide x 29'-3" Long - Laced
22	B018616	Rubber Belt x 15" Wide x 29'-3" Long - Laced
23	C200652	Cable Pin x 15" Long
24	B021921	Pin Retaining Washer
25	B008059	3/16" Aluminum Swage Sleeve

HYDRAULIC DRIVE ASSEMBLY - GRAIN BELT TRANSFER CONVEYOR - 2000
SERIAL NOS. 48799 - 49506



REF #	PART NO.	DESCRIPTION
1	C200750	Hydraulic Motor Mount
2	C200654	Hydraulic Motor Guard
3	B0011325	3/8" Stover Lock Nut
4	B001023	3/8"x 3/4" Bolt
5	B001165	3/8" Lockwasher
6	B185206	1/4" Key x 1 1/4" Long
7	B009410	50 x 17 Sprocket - 1" Bore
8	B009601	R50-2 Roller Chain
9	B019045	Hydraulic Motor - 4.5 cu.in./ rev
10	B019511	#10 MORB x 1/2" FPT Adapter Fitting
11	B019537	1/2" MPT x 1/2" FPT Check Valve
12	B019074	3/8" Hydraulic Hose x 15' Long - 1/2" MPT Both Ends
13	B019200	1/2" FPT Pioneer Male Tips

ENGINE DRIVE ASSEMBLY - GRAIN BELT TRANSFER CONVEYOR - 2000
SERIAL NOS. 48799 - 49506



REF #	PART NO.	DESCRIPTION
1	C200659	Tension Handle
2	B0011325	3/8" Stover Lock Nut
3	C200657	Motor Link
4	B001025	3/8"x 1 1/4" Bolt
5	C200658	Motor Mount
6	B027500	Plastic Wear Bushing
7	C200656	Motor Base
8	B001023	3/8"x 3/4" Bolt
9	C200664	Belt Keeper
10	B496740	1/4" Key x 1 1/2" Long
11	B0180098	1B Pulley - 9.8" OD x 1" Bore - Gas Drive
11	B018030	1B Pulley - 12.0" OD x 1" Bore - Electric Drive
12	B018078	B-66 Belt - Gas Drive
12	B018079	B-67 Belt - Electric Drive
13	B0010799	1/4"x 3/4" Carriage Bolt
14	C200663	Transfer Guard Mount
15	B027522	Transfer Belt Shield - Plastic
16	B001147	1/4" Flatwasher
17	B001124	1/4" Lock Nut
18	B0020356	1/4"x 3/4" TEK Screw
19	B0180096	1B Pulley - 5.3" OD x 3/4" Bore - Gas Drive
19	B0180097	1B Pulley - 4.25" OD x 1 1/8" Bore - Electric Drive
20	C200799	3/16" Key x 1 1/2" Long
21	C200655	Motor Rail
22	C200667	Motor Mount Bracket
23	B0010811	5/16"x 1" Carriage Bolt
24	B001127	5/16" Lock Nut