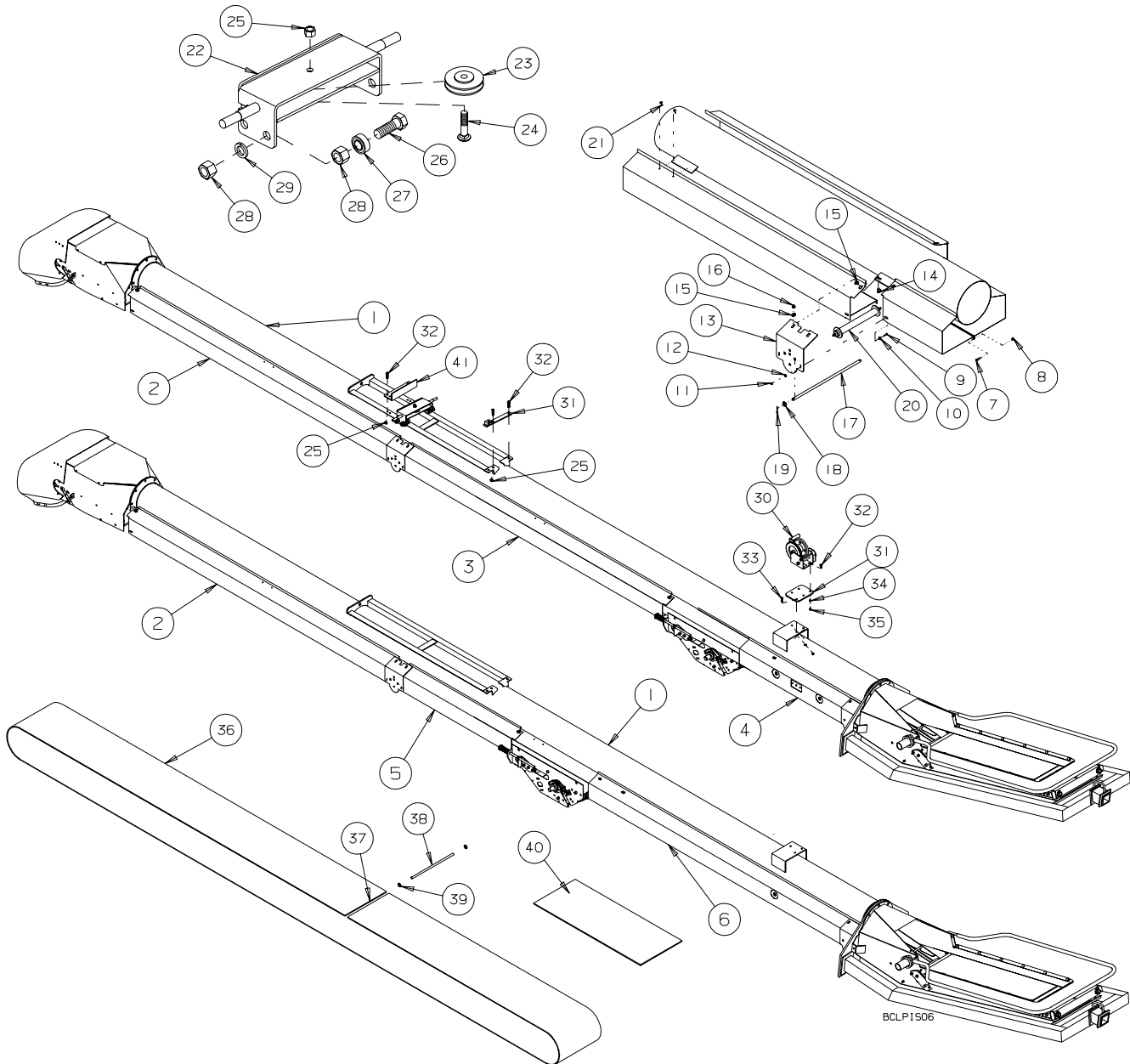


***1535 & 1545 LOW PROFILE
GRAINBELT CONVEYORS***

PARTS LIST

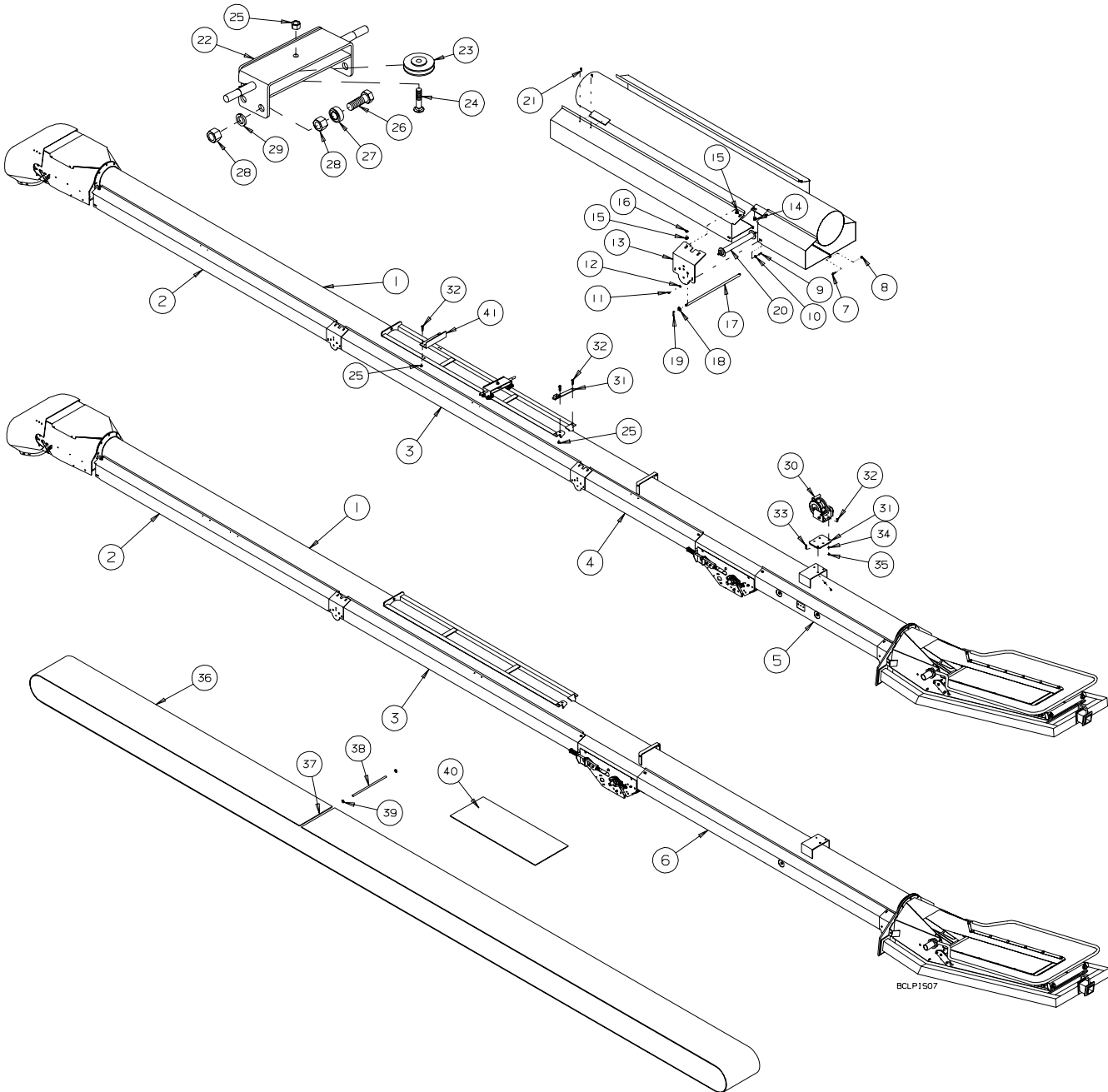
SERIAL NOS. 75500 - 76699

1535 LOW PROFILE CONVEYOR ASSEMBLY - GRAIN BELT CONVEYOR
SERIAL NOS. 75500-76699



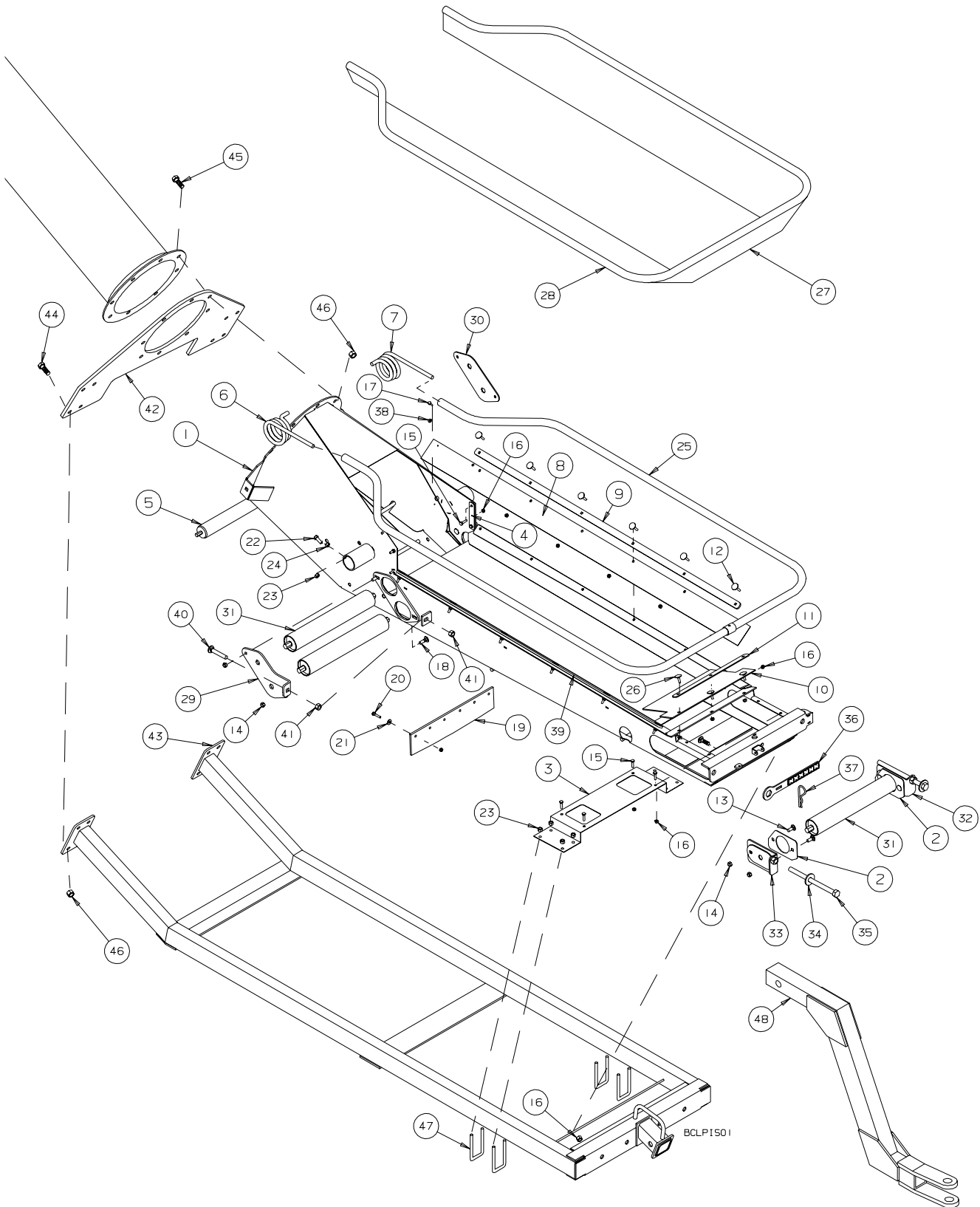
REF #	PART #	DESCRIPTION
1	C201972	35' TUBE WELDMENT
2	C201909	UPPER WIND GUARD - LEFT - 35' - 118" LG.
NS	C201909M	UPPER WIND GUARD - RIGHT - 35' - 118" LG.
3	C201277	CENTRE PTO WIND GUARD - LEFT - 35' - 106 3/4" LG.
NS	C201277M	CENTRE PTO WIND GUARD - RIGHT - 35' - 106 3/4" LG.
4	C200880	LOWER PTO WIND GUARD - LEFT - 35' - 62 1/2" LG.
NS	C200880M	LOWER PTO WIND GUARD - RIGHT - 35' - 62 1/2" LG.
5	C200879	CENTRE GAS WIND GUARD - LEFT - 35' - 51 1/2" LG.
NS	C200879M	CENTRE GAS WIND GUARD - RIGHT - 35' - 51 1/2" LG.
6	C201891	LOWER GAS WIND GUARD - LEFT - 35' - 119" LG.
NS	C201891M	LOWER GAS WIND GUARD - RIGHT - 35' - 119" LG.
7	B001001	BOLT, 1/4" x 1/2" UNC GR5 PLT
8	B001124	LOCKNUT, 1/4" NYLOCK GR5
9	B001420	SCREW #10-24 x 3/4" L PANHEAD,SS
10	B027497	SHOULDER WASHER
11	B0011205	LOCKNUT, #10-24 NYLOCK
12	B0011459	FLATWASHER, #10
13	C200608	ROLLER BRACKET
14	B001082	CARRIAGE BOLT, 3/8" x 1"
15	B0011495	WASHER-SAE, 3/8"
16	B0011325	LOCKNUT 3/8" STOVER
17	C200792	GUIDE PIN
18	B001152	FLATWASHER, 1/2" SAE
19	B0020485	COTTER PIN, 1/8" x 1"
20	C200795	GUIDE ROLLER
21	B002036	#10 x 5/8" TEK SCREW
22	C200856	TRACK SLIDE
23	B394712	3" CABLE SHEAVE - 1/2" BORE
24	B001092	CARRIAGE BOLT- 1/2" x 2 1/2"
25	B001136	1/2" LOCK NUT
26	B001101	3/4" x 2 1/2" BOLT
27	B017255	BEARING - 6203-3/4-2RS
28	B001142	3/4" HEX NUT
29	B001172	3/4" LOCK WASHER
30	B030200	BRAKE WINCH - 1500 LBS.
31	C201244	WINCH PLATE
32	B0010835	3/8"x 1 1/4" CARRIAGE BOLT
33	B001025	3/8"x 1 1/4" BOLT
34	B001165	3/8" LOCK WASHER
35	B001131	3/8" HEX NUT
36	B018636	PVC BELT - 15" x 78' - LACED
36	B018635	RUBBER BELT - 15" x 78' - LACED
37	B021321	ALLIGATOR LACING - 15" c/w PIN
38	C200652	ALLIGATOR LACING PIN ONLY - 15"
39	B021921	PIN RETAINING WASHER
NS	C204584	15" LACING PIN KIT
40	B018611	PVC BELT - 15" WIDE x 10' - LACED
40	B018612	RUBBER BELT - 15" WIDE x 10' - LACED
40	B018613	PVC BELT - 15" WIDE x 20' - LACED
40	B018614	RUBBER BELT - 15" WIDE x 20' - LACED
41	C203106	TRANSPORT STOP

1545 LOW PROFILE CONVEYOR ASSEMBLY - GRAIN BELT CONVEYOR
SERIAL NOS. 75500 - 76699



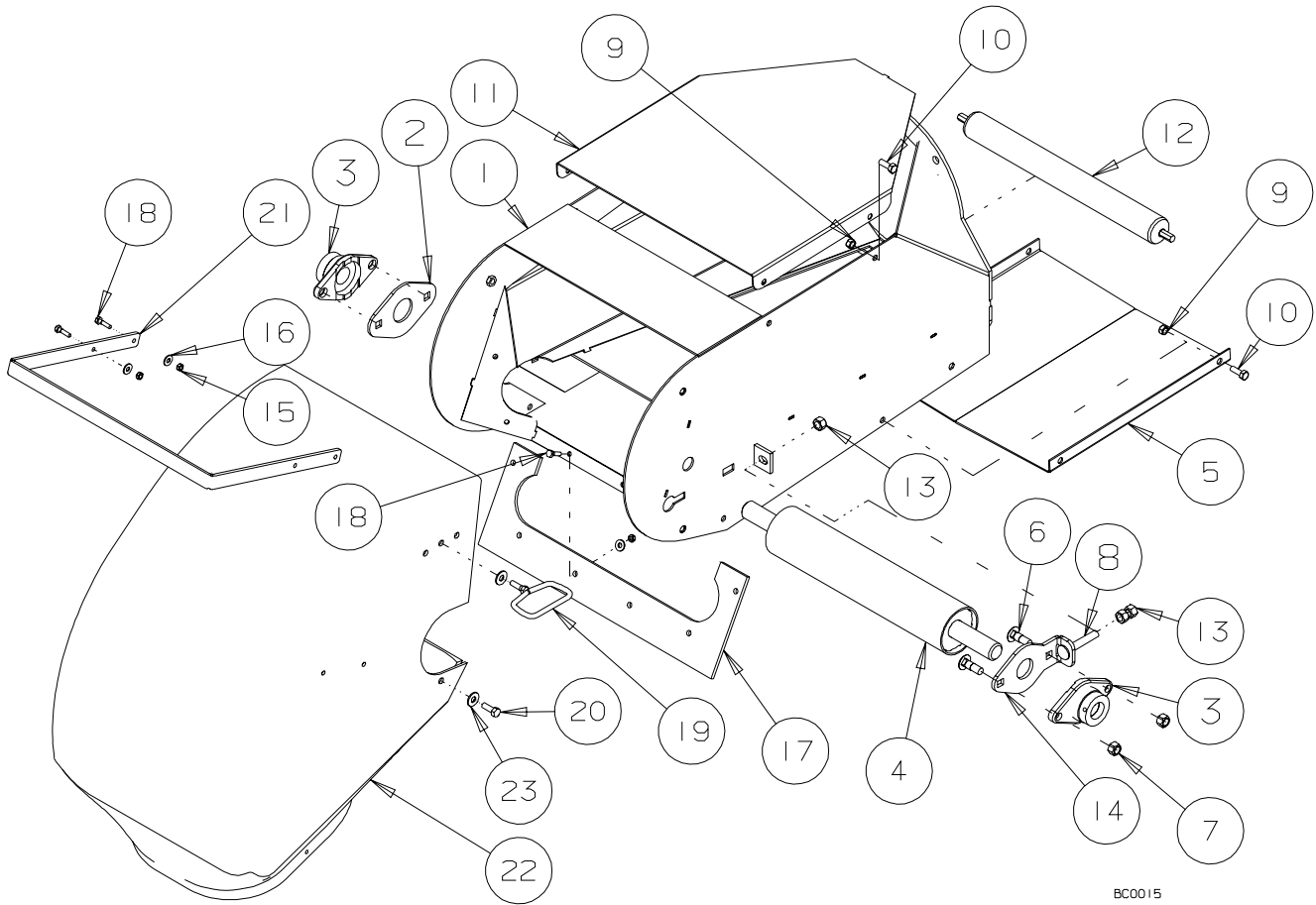
REF #	PART #	DESCRIPTION
1	C200848	45' TUBE WELDMENT
2	C201899	UPPER WIND GUARD - LEFT - 45' - 133 3/8" LG.
NS	C201899M	UPPER WIND GUARD - RIGHT - 45' - 133 3/8" LG.
3	C201978	CENTRE WIND GUARD - LEFT - 45' - 133 3/8" LG.
NS	C201978M	CENTRE WIND GUARD - RIGHT - 45' - 133 3/8" LG.
4	C201974	CENTRE PTO WIND GUARD - LEFT - 45' - 40" LG.
NS	C201974M	CENTRE PTO WIND GUARD - RIGHT - 45' - 40" LG.
5	C201975	LOWER PTO WIND GUARD - LEFT - 45' - 98 1/4" LG.
NS	C201975M	LOWER PTO WIND GUARD - RIGHT - 45' - 98 1/4" LG.
6	C201977	LOWER GAS WIND GUARD - LEFT - 45' - 141 5/8" LG.
NS	C201977M	LOWER GAS WIND GUARD - RIGHT - 45' - 141 5/8" LG.
7	B001001	BOLT, 1/4" x 1/2" UNC GR5 PLT
8	B001124	LOCKNUT, 1/4" NYLOCK GR5
9	B001420	SCREW #10-24 x 3/4" L PANHEAD,SS
10	B027497	SHOULDER WASHER
11	B0011205	LOCKNUT, #10-24 NYLOCK
12	B0011459	FLATWASHER, #10
13	C200608	ROLLER BRACKET
14	B001082	CARRIAGE BOLT, 3/8" x 1"
15	B0011495	WASHER-SAE, 3/8"
16	B0011325	LOCKNUT 3/8" STOVER
17	C200792	GUIDE PIN
18	B001152	FLATWASHER, 1/2" SAE
19	B0020485	COTTER PIN, 1/8" x 1"
20	C200795	GUIDE ROLLER
21	B002036	#10 x 5/8" TEK SCREW
22	C200856	TRACK SLIDE
23	B394712	3" CABLE SHEAVE - 1/2" BORE
24	B001092	CARRIAGE BOLT- 1/2" x 2 1/2"
25	B001136	1/2" LOCK NUT
26	B001101	3/4" x 2 1/2" BOLT
27	B017255	BEARING - 6203-3/4-2RS
28	B001142	3/4" HEX NUT
29	B001172	3/4" LOCK WASHER
30	B030200	BRAKE WINCH - 1500 LBS.
31	C201244	WINCH PLATE
32	B0010835	3/8"x 1 1/4" CARRIAGE BOLT
33	B001025	3/8"x 1 1/4" BOLT
34	B001165	3/8" LOCK WASHER
35	B001131	3/8" HEX NUT
36	B018638	PVC BELT - 15" x 98' - LACED
36	B018637	RUBBER BELT - 15" x 98' - LACED
37	B021321	ALLIGATOR LACING - 15" c/w PIN
38	C200652	ALLIGATOR LACING PIN ONLY - 15"
39	B021921	PIN RETAINING WASHER
NS	C204584	15" LACING PIN KIT
40	B018611	PVC BELT - 15" WIDE x 10' - LACED
40	B018612	RUBBER BELT - 15" WIDE x 10' - LACED
40	B018613	PVC BELT - 15" WIDE x 20' - LACED
40	B018614	RUBBER BELT - 15" WIDE x 20' - LACED
41	C203106	TRANSPORT STOP

LOW PROFILE INTAKE - 1535 & 1545 GRAIN BELT CONVEYOR
SERIAL NOS. 75500 - 76699



REF #	PART NO.	DESCRIPTION
1	C202742	Low Profile Hopper Weldment
2	C203108	Back Plate
3	C203590	Low Profile Hopper Gusset
4	C200796	Hopper Flap
5	B021257	1.9" OD Roller x 15 1/8"
6	B021740L	Hopper Spring - Left
7	B021740R	Hopper Spring - Right
8	B027539R	Transfer Flashing - Right
9	C200631	Side Fabric Strap
10	B027526	Transfer Rear Hopper Flashing
11	C200632	Rear Fabric Strap
12	B002225	1/4"x 1 1/2" Elevator Bolt
13	B001082	3/8"x 1" Carriage Bolt
14	B001132	3/8" Lock Nut
15	B001003	1/4"x 1" Bolt
16	B001124	1/4" Lock Nut
17	B002036	#10 x 5/8" Tek Screw
18	B0010835	3/8"x 1 1/4" Carriage Bolt
19	B027518	Transfer Dozer Flashing
20	B0010036	1/4"x 1 1/4" Bolt
21	B001147	1/4" Flatwasher
22	B001024	3/8"x 1" Bolt
23	B0011325	3/8" Stover Lock Nut
24	B001131	3/8" Hex Nut
25	C200794	Transfer Hopper Rail
26	B002226	1/4"x 1" Elevator Bolt
27	B021421	Transfer Hopper Fabric
28	B024082	1" ID x 140" Flexible Conduit
29	C202319	Adjustable Roller Cap
30	C202320	Roller Cap
31	B021256	2 1/2" Transfer 'S' Roller
32	C203745R	Transfer Adjuster - Right
33	C203745L	Transfer Adjuster - Left
34	B001153	5/8" Flatwasher
35	B002600	5/8"x 9" Bolt - Full Thread
36	C202307A	Wrench Assembly
37	B002091	.177 x 3 3/4" Hair Pin Clip
38	B0011459	#10 Flatwasher
39	B027539L	Transfer Flashing - Left
40	B001091	1/2"x 3" Carriage Bolt - Full Thread
41	B001135	1/2" Hex Nut
42	C202344	Flange Hitch Plate
43	C202345	Low Profile Hopper Hitch
44	B001040	1/2"x 1 1/4" Bolt
45	B001041	1/2" x 1 1/2" Bolt
46	B001134	1/2" Stover Lock Nut
47	B0020138	3/8"x 2" Sq. U-bolt x 4" lg.
48	C202544	Offset Hitch

DISCHARGE ASSEMBLY - GRAIN BELT CONVEYOR
SERIAL NOS. 75500 - 76699

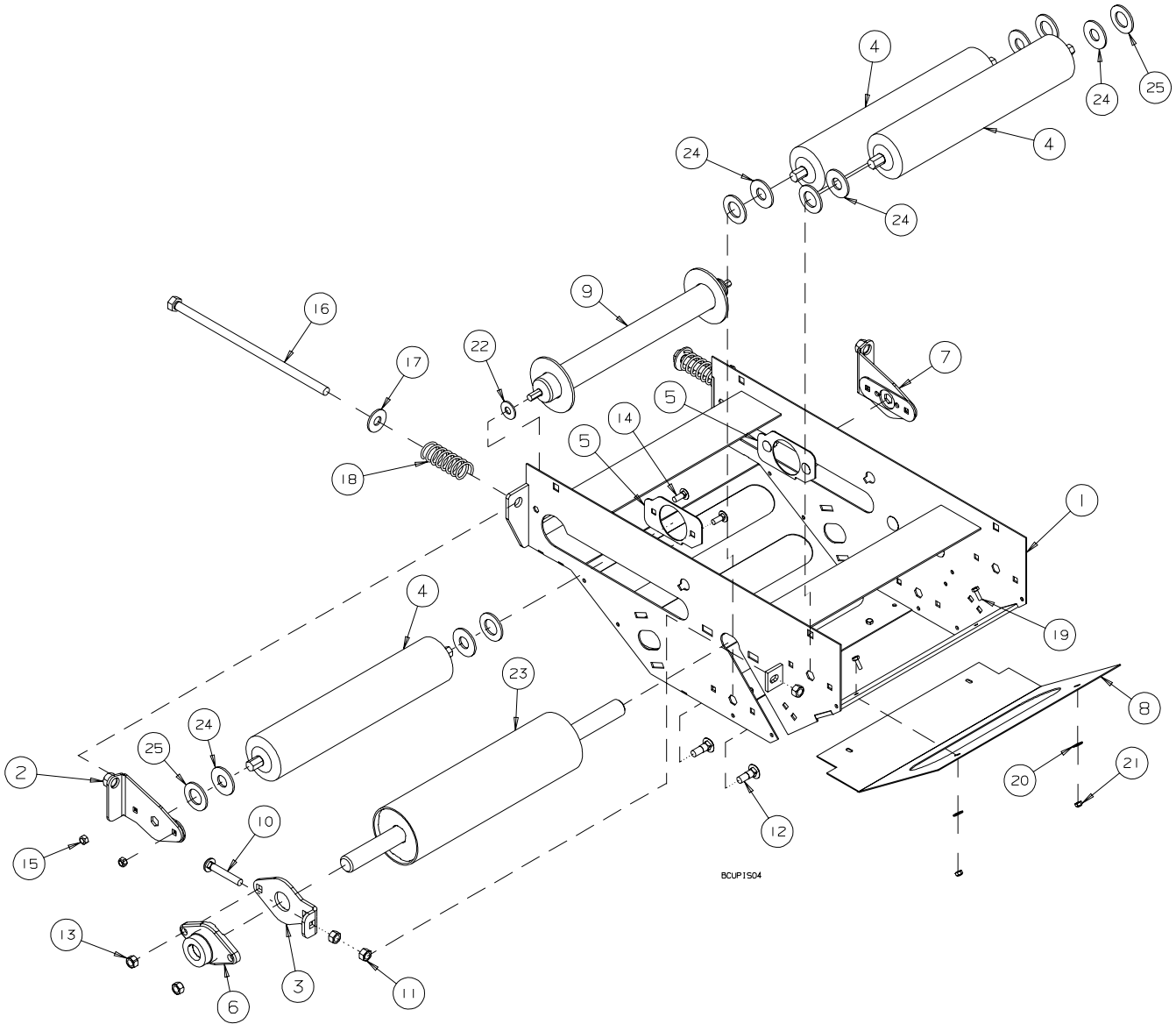


BC0015

REF #	PART #	DESCRIPTION
1	C200717H	DISCHARGE 65', 75'
2	C200609	BEARING PLATE
3	B0172015	BEARING, 1 1/4" - 2 BOLT FLANGE INA
4	C200708	ROLLER, 3 1/2" x 16 1/2"
5	C200605	DISCHARGE BOTTOM GUARD
6	B0010885	CARRIAGE BOLT, 1/2" x 1 1/2", SHORT NECK
7	B001409	1/2" SERRATED FLANGE NUT
8	B001091	CARRIAGE BOLT, 1/2" x 3"
9	B0011325	LOCKNUT, 3/8" STOVER
10	B001024	BOLT, 3/8" x 1" UNC GR5 PLT.
11	C200644	DISCHARGE CAP MAIN
12	B021250	ROLLER, 1.9" OD x 18"
13	B001135	NUT, 1/2" HEX
14	C200615	SHAFT GUARD - 1.25"
15	B001124	LOCKNUT, 1/4" NYLOCK GR5
16	B001147	FLATWASHER, 1/4"
17	B027519	WIPER, DISCHARGE, 2 PLY RUBBER
18	B001003	BOLT, 1/4" x 1" UNC GR5 PLT
19	C200797	DISCHARGE HANDLE
20	B001024	BOLT, 3/8" x 1" UNC GR5 PLT
21	C200641	TRANSFER HANDLE
22	B027600	DISCHARGE SPOUT, 10" TUBE
23	B001149	FLATWASHER, 3/8"

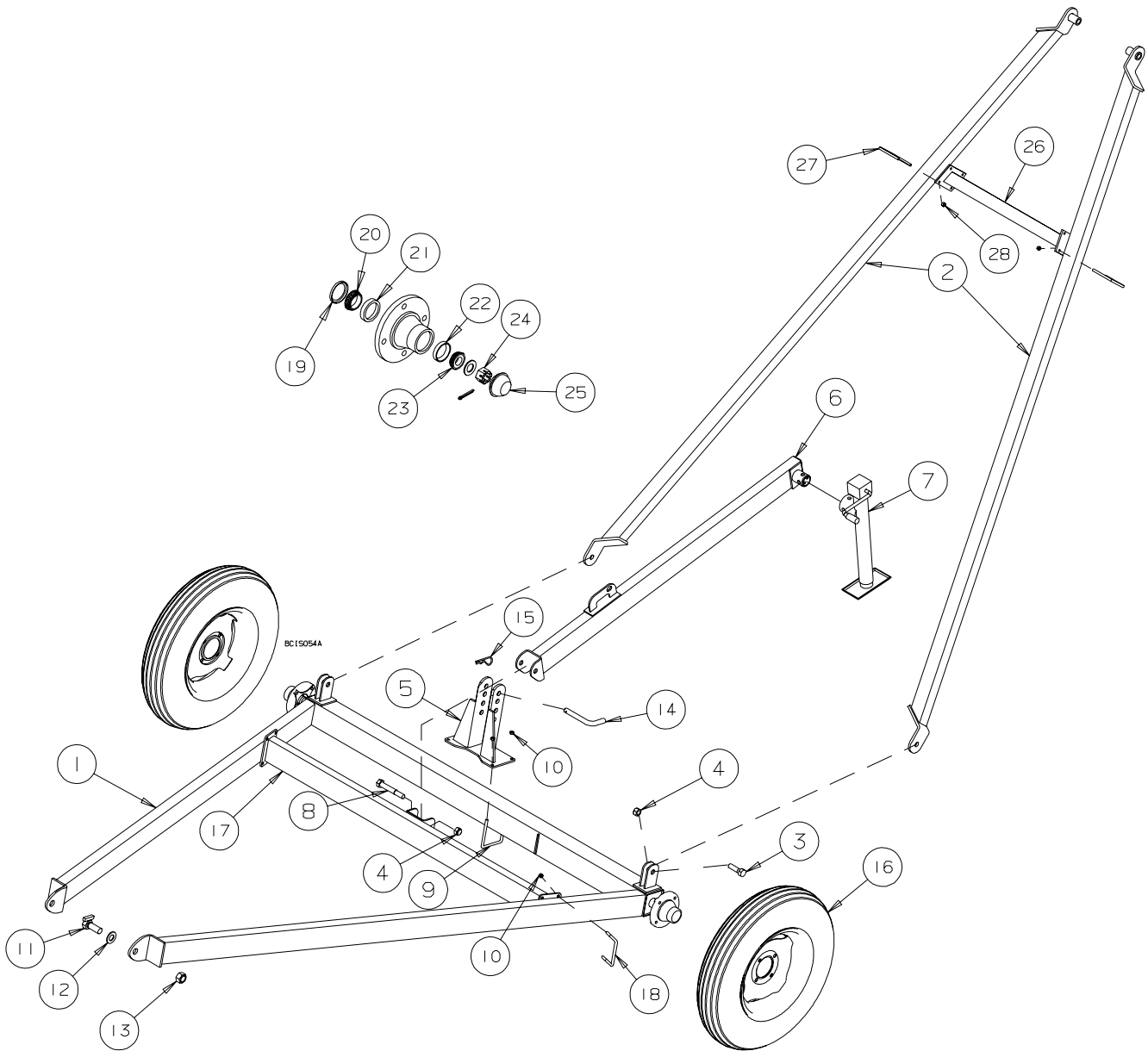
S DRIVE ASSEMBLY - GRAIN BELT CONVEYOR

SERIAL NOS. 75500 - 76699



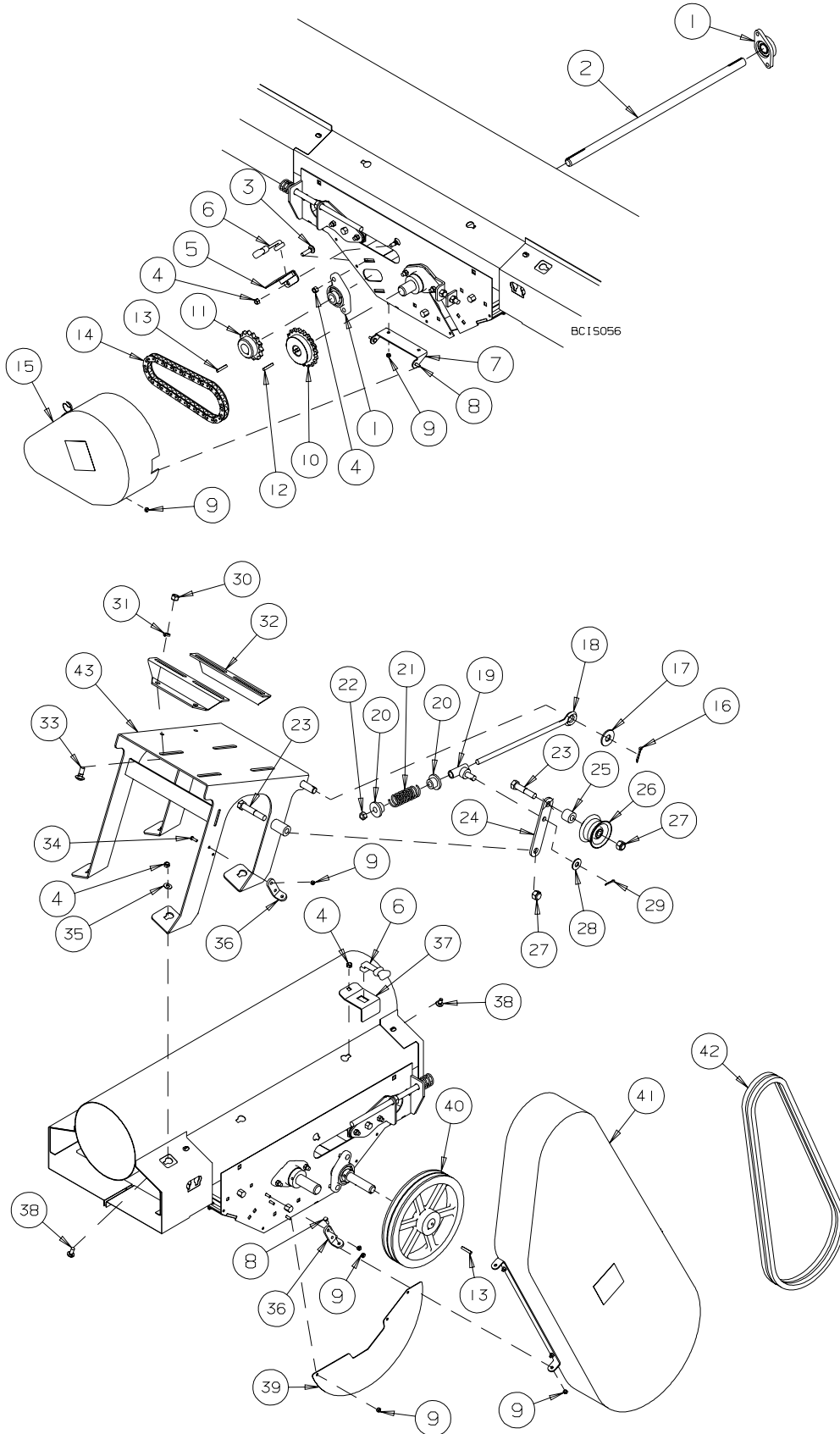
REF #	PART #	DESCRIPTION
1	C200845	SMALL S-DRIVE BODY WELDMENT
2	C201976R	HEX ADJUSTER - RIGHT
3	C200615	SHAFT GUARD - 1.25" DIA.
4	B021255	2.5" OD ROLLER x 18" LONG (Serial No. 70500 and up)
4	B0212551	3.5" OD ROLLER X 18" LONG (Serial No. 62483-62754)
5	C200636	BACK PLATE
6	B0172015	1 1/4" DIA BEARING - 2 BOLT
7	C201976L	HEX ADJUSTER - LEFT
8	C202316	SMALL S-DRIVE GUARD (Serial No. 70500 and up)
8	C201229	SMALL S-DRIVE GUARD (Serial No. 62483-62754)
9	C200795	GUIDE ROLLER
10	B001091	1/2"x 3" CARRIAGE BOLT - FULL THREAD
11	B001135	1/2" HEX NUT
12	B0010885	1/2"x 1 1/2" CARRIAGE BOLT - SHORT NECK
13	B001409	1/2" SERRATED FLANGE NUT
14	B001082	3/8"x 1" CARRIAGE BOLT
15	B001132	3/8" LOCK NUT
16	B0026015	5/8"x 15" BOLT - FULL THREAD
17	B001153	5/8" FLATWASHER
18	B021073	COMPRESSION SPRING - 1 1/8" OD x 7" LONG x .162" WIRE
19	B001002	1/4"x 3/4" BOLT
20	B001147	1/4" FLATWASHER
21	B001124	1/4" LOCK NUT
22	B001151	1/2" FLATWASHER
23	C200846	5" DIA DRIVE ROLLER - KEYED
24	B001157	3/4" SAE FLATWASHER
25	B002070	1 1/2" OD x 1" ID x 14 GA MACHINERY BUSHING

UNDERCARRIAGE ASSEMBLY - GRAIN BELT CONVEYOR
SERIAL NOS. 75500 - 76699



REF #	PART #	DESCRIPTION
1	C201970	35' AXLE FRAME WELDMENT
1	C200868	45' AXLE FRAME WELDMENT
2	C201971	35' A-FRAME ARM
2	C200860	45' A-FRAME ARM
3	B001101	3/4"x 2 1/2" BOLT
4	B001154	3/4" STOVER LOCK NUT
5	C200955	WEIGHT TRANSFER PIVOT
6	C200957	WEIGHT TRANSFER ARM
7	B030520	IMPLEMENT JACK - 2000 LBS. - 15" SIDE WIND
8	B001110	3/4"x 5" BOLT
9	B002016	3/8"x 4" U-BOLT x 5 1/4" LG.
10	B0011325	3/8" STOVER LOCK NUT
11	C200666	SUSPENSION BOLT
12	B001159	1" FLAT WASHER
13	B001075	1" STOVER LOCK NUT
14	C201241	WEIGHT TRANSFER PIN
15	B002091	.177"x 3 3/4" HAIR PIN CLIP
16	B011205	15" TIRE & RIM ASSEMBLY
17	C201247	35' WEIGHT CROSS
17	C201248	45' WEIGHT CROSS
18	B0020162	3/8"x 4" U-BOLT x 3" LG
19	B011604	GREASE SEAL - 411 HUB
20	B011603	INNER BEARING - LM67048
21	B011602	INNER CUP - LM67010
22	B011600	OUTER CUP - LM11910
23	B011601	OUTER BEARING - LM11949
24	B011677	3/4" CASTLE NUT
25	B011500	DUST CAP - 411 HUB
26	C201257	35' A-FRAME CROSS BRACE
26	C201258	45' A-FRAME CROSS BRACE
27	B002011	5/16" x 2 1/2" SQ. U-BOLT
28	B0011275	5/16" STOVER LOCK NUT

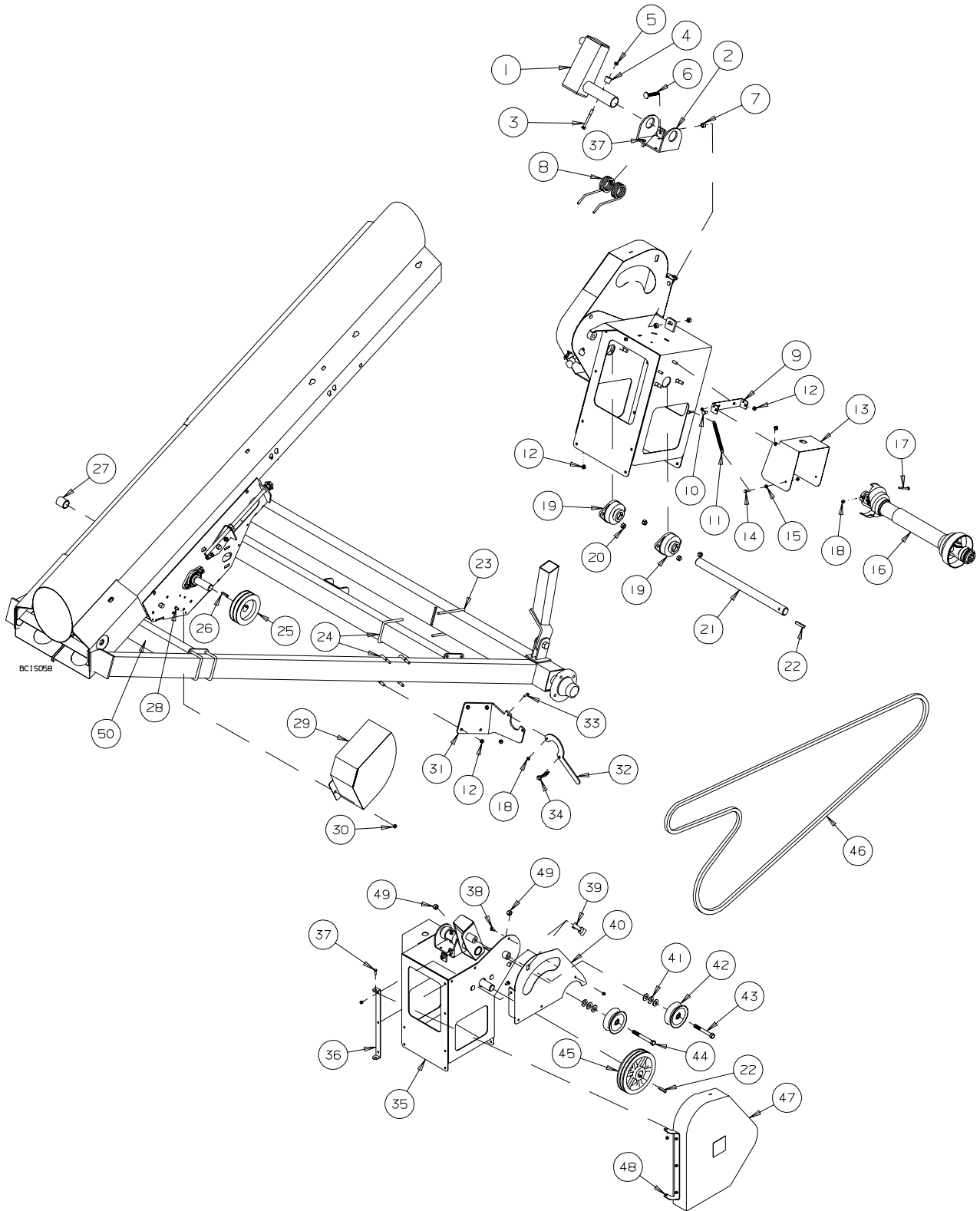
ELECTRIC MOTOR DRIVE KIT - GRAIN BELT CONVEYOR
SERIAL NOS. 75500 - 76699



REF #	PART #	DESCRIPTION
1	B017050	1" DIA. BEARING - 2 BOLT
2	B011833	1" UNLOADER JACK SHAFT
3	B001083	3/8"x 1 1/2" CARRIAGE BOLT
4	B0011325	3/8" STOVER LOCK NUT
5	C201200	GUARD STOP
6	B0219992	RUBBER LATCH
7	C201862	CHAIN GUARD HINGE
8	B001002	1/4"x 3/4" BOLT
9	B001124	1/4" LOCK NUT
10	B0090105	60-19 SPROCKET x 1 1/4" BORE
11	B0090275	60-14 SPROCKET x 1" BORE
12	B194012	5/16" KEY x 1 1/2" LG.
13	B689169	1/4" KEY x 1 1/2" LG.
14	B0090135	R60 CHAIN x 37 PITCH
15	C201203	PLASTIC CHAIN GUARD ASSEMBLY
16	B002047	3/16"x 1 1/4" COTTER PIN
17	B001155	3/4" FLAT WASHER
18	B0020275	1/2" EYEBOLT x 12 5/8" LG.
19	B496521	BELT TENSIONER TUBE
20	B496735	SPRING CAP
21	B021082	COMPRESSION SPRING - 1.42" OD x 3.68" LG - .187" WIRE
22	B001134	1/2" STOVER LOCK NUT
23	B001073	5/8"x 3 1/2" BOLT
24	C201250	IDLER ARM
25	C201240	IDLER SPACER
26	B018044	IDLER PULLEY - 5/8" BORE
27	B001141	5/8" LOCK NUT
28	B001151	1/2" FLAT WASHER
29	B0020485	1/8"x 1" COTTER PIN
30	B001135	1/2" HEX NUT
31	B001167	1/2" LOCK WASHER
32	B695298	MOTOR MOUNT BRACKET
33	B0010875	1/2"x 1 1/4" CARRIAGE BOLT
34	B001003	1/4"x 1" BOLT
35	B001149	3/8" FLAT WASHER
36	C201214	GUARD HINGE
37	C201217	HINGE STOP BOTTOM
38	B001082	3/8"x 1" CARRIAGE BOLT
39	C201212	PULLEY COVER
40	B018032	2B12.0 PULLEY - 1" BORE
41	C201209	PLASTIC BELT GUARD
42	B0180673	B-96 BELT
43	C200853	MOTOR MOUNT - 35', 45'

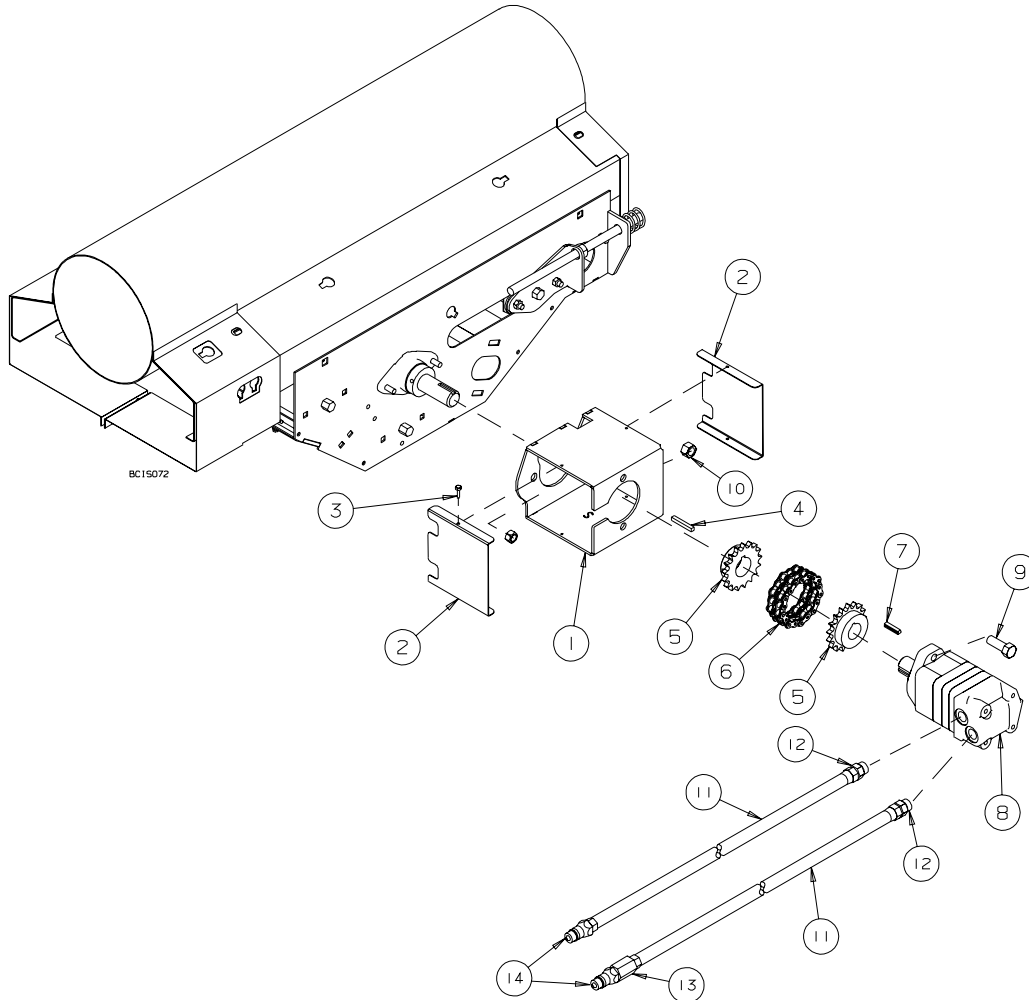
REF #	PART #	DESCRIPTION
1	B017050	1" DIA. BEARING - 2 BOLT
2	B011833	1" UNLOADER JACK SHAFT
3	B001083	3/8"x 1 1/2" CARRIAGE BOLT
4	B0011325	3/8" STOVER LOCK NUT
5	C201200	GUARD STOP
6	B0219992	RUBBER LATCH
7	C201862	CHAIN GUARD HINGE
8	B001002	1/4"x 3/4" BOLT
9	B001124	1/4" LOCK NUT
10	B009257	60-40 SPROCKET x 1 1/4" BORE
11	B0090275	60-14 SPROCKET x 1" BORE
12	B194012	5/16" KEY x 1 1/2" LG.
13	B689169	1/4" KEY x 1 1/2" LG.
14	B0090145	R60 CHAIN x 51 PITCH
15	C201203	PLASTIC CHAIN GUARD ASSEMBLY
16	C200933	MOTOR ARM
17	C201205	ENGINE LINK
18	C200936	OFFSET MOTOR ARM
19	B001024	3/8"x 1" BOLT
20	B001149	3/8" FLAT WASHER
21	B0010835	3/8"x 1 1/4" CARRIAGE BOLT
22	B695298	MOTOR MOUNT BRACKET
23	C200935	MOTOR RAIL
24	C200937	MOTOR BASE
25	B001025	3/8"x 1 1/4" BOLT
26	C204657	MOTOR LINK
27	C204130	TENSION HANDLE - BENT
28	B027500	PLASTIC SLIDER BUSHING
29	C200934	ENGINE BASE
30	C201254	BATTERY/GAS TANK BASE
31	B002001	1/4"x 8 1/4" U-BOLT x 9 3/4" LG.
32	B001147	1/4" FLAT WASHER
33	C201253	BATTERY BASE RAIL
34	B021062	20" RUBBER TARP STRAP
35	C201276	GAS TANK - 5 GALLON
36	C201251	BELT GUARD HOLDER
37	B0010819	3/8"x 3/4" CARRIAGE BOLT
38	C201202	SHEAVE COVER
39	B018074	B-86 BELT
40	C201204	BELT GUARD STOP
41	B001002	1/4"x 3/4" BOLT
42	B018032	2B12.0 PULLEY - 1" BORE
43	C201201	PLASTIC BELT GUARD
44	B0011327	3/8" WING NUT
45	C201252	MOTOR TORQUE ARM
46	B027419	Gasoline Container - 5 gal
47	B0280365	1/4" MPT x 1/4" HB Brass Fitting
48	B028210	1/4" PT Brass Valve
49	B028212	1/4" FPT x 1/4" HB Brass Fitting
50	B024150	1/4" Hose Clamp
51	C201259	1/4" Gas Line x 15"
52	B0280835	1/4" Bulk Head Fitting - 1/4" HB both ends
53	B028211	1/4" MPT Bronze Breather Vent
54	C204152	Belt Rest
55	B0011326	3/8" Locking Flange Nut

PTO DRIVE KIT - GRAIN BELT CONVEYOR
SERIAL NOS. 75500 - 76699



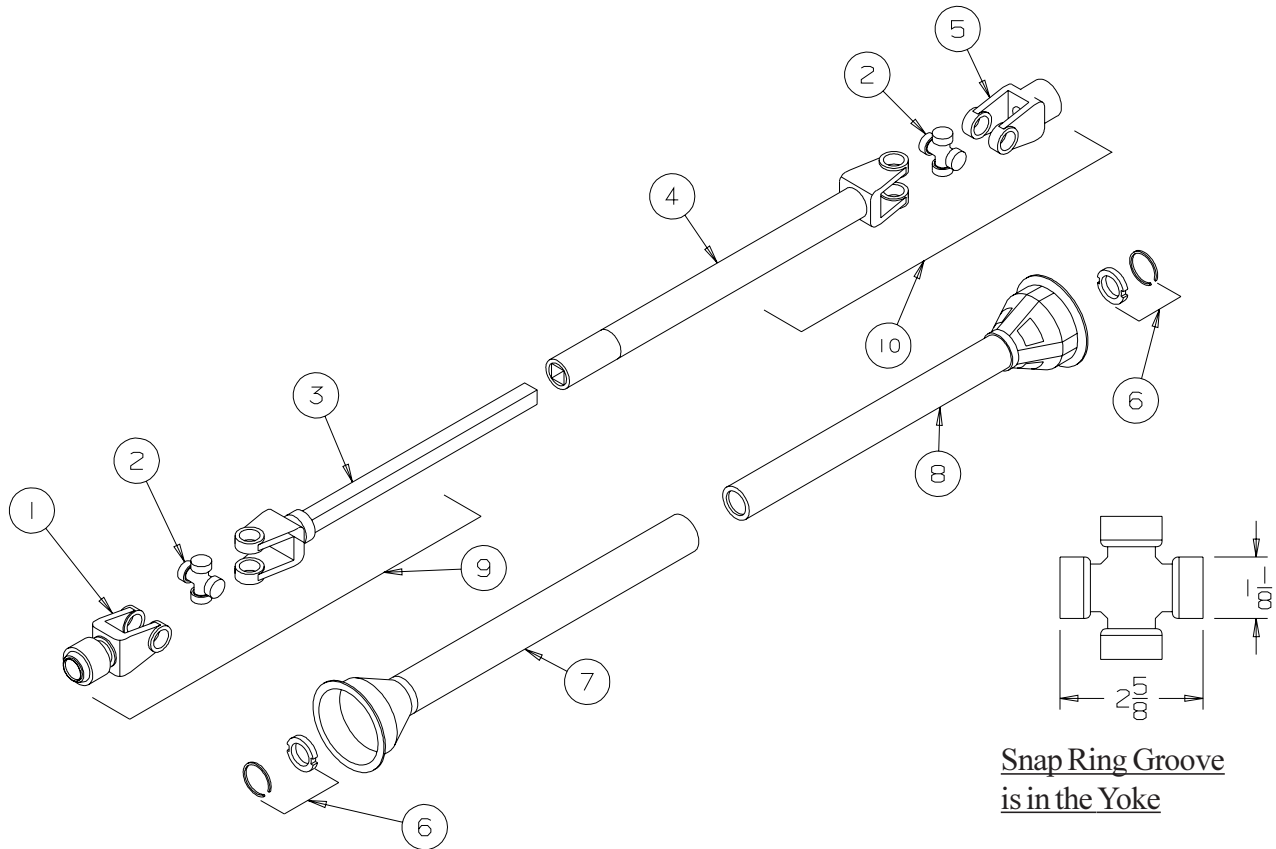
REF #	PART NO.	DESCRIPTION
1	C201969	Pulley Swivel
2	C201968	Pulley Yoke
3	B001019	5/16"x 4" Bolt
4	C202317	Spring Bushing
5	B001127	5/16" Lock Nut
6	B001091	1/2"x 3" Carriage Bolt - Full Thread
7	B001135	1/2" Hex Nut
8	B021088	Return Torsion Spring
9	C201299	PTO Guard Mount
10	B001023	3/8"x 3/4" Bolt
11	B021074	Extension Spring
12	B0011325	3/8" Stover Lock Nut
13	C201301	PTO Guard
14	B0010036	1/4"x 1 1/4" Bolt
15	B001122	1/4" Hex Nut
16	B003060	PTO Shaft
17	B0010061	1/4"x 3" Bolt
18	B0011245	1/4" Stover Lock Nut
19	B017223	1 1/2" dia. Bearing - 2 Bolt
20	B001136	1/2" Lock Nut
21	B0011832	1 1/2" Driveshaft x 22"
22	C200649	3/8" Key x 2"
23	B002016	3/8"x 4" Sq. U-Bolt x 5 5/8"
24	B0020162	3/8"x 4" U-Bolt x 3"
25	B0180185	2B6" OD Pulley - 1.25" Bore
26	B689169	1/4" Key x 1 1/2"
27	B027535	Plastic Shaft Cap - 1.25" ID x 2" Lg.
28	B001082	3/8"x 1" Carriage Bolt
29	C201225	PTO S-Drive Guard
30	B0011326	3/8" Flange Lock Nut
31	C201242	PTO Holder
32	C201998	PTO Lock Handle
33	B001003	1/4"x 1" Bolt
34	B002095	3/8"x 1 3/4" Lock Pin
35	C201218	PTO Base
36	C201222	PTO Guard Mount
37	B001010	5/16"x 1" Bolt
38	B001081	5/16"x 3/4" Carriage Bolt
39	B0219992	Rubber Latch
40	C202220	PTO Idler Guard
41	B0020675	1 1/8" ODx 5/8" ID x 14 ga Machinery Bushing
42	B0180445	4" OD x 5/8" Bore Idler Pulley
43	B001074	5/8"x 4" Bolt
44	B0010743	5/8"x 4 1/2" Bolt
45	B0180311	2B9.75" Pulley x 1 1/2" Bore
46	B018051	B-177 Belt - 35' Conveyor
46	B018053	B-214 Belt - 45' Conveyor
47	B027533	Plastic PTO Idler Guard
48	C201224	Idler Guard Hinge
49	B001141	5/8" Lock Nut
50	C201256	35' Cross Brace

HYDRAULIC DRIVE KIT - GRAIN BELT CONVEYOR
SERIAL NOS. 75500 - 76699



REF #	PART NO.	DESCRIPTION
1	C203111	Hydraulic Motor Mount
2	C203112	Hydraulic Motor Guard
3	B002036	#10 x 5/8" TEK Screw
4	C300708	1/4" x 1" Key
5	B009409	50- 17 Sprocket - 1 1/4" Bore
6	B009601	R50-2 Chain - 17 pitch
7	C200952	Offset Key - 1/4" x 5/16" - 1 1/4" lg.
8	B019047	Hydraulic Motor
9	B001041	1/2" x 1 1/2" Bolt
10	B001134	1/2" Stover Lock Nut
11	B0191477	1/2" Hydra. Hose x 25' - 1/2" MPT x #10 FJIC
12	B0194345	#10 MORB x #10 MJIC Adapter
13	B019537	One Way Check Valve - 1/2" MPT x 1/2" FPT
14	B019200	Male Pioneer Tip - 1/2" FPT

WEASLER SERIES 14R
B003060 - BELT CONVEYOR - SIDE DRIVE



REF #	PART NO.	DESCRIPTION	QTY.
1	B003772	Tractor Yoke - 6 Spline	1
2	B0037101	Cross & Bearing Kit	2
3	B003853	Input Yoke & Shaft	1
4	B003854	Output Yoke & Tube	1
5	B003855	Implement Yoke - 1 1/2" Bore	1
6	B003776	Shield Bearing	2
7	B003857	Outer Shield	1
8	B003858	Inner Shield	1
9	B003850	Tractor Half of Shaft c/w Guard - 6 Spline	1
10	B003851	Implement Half of Shaft c/w Guard	1