

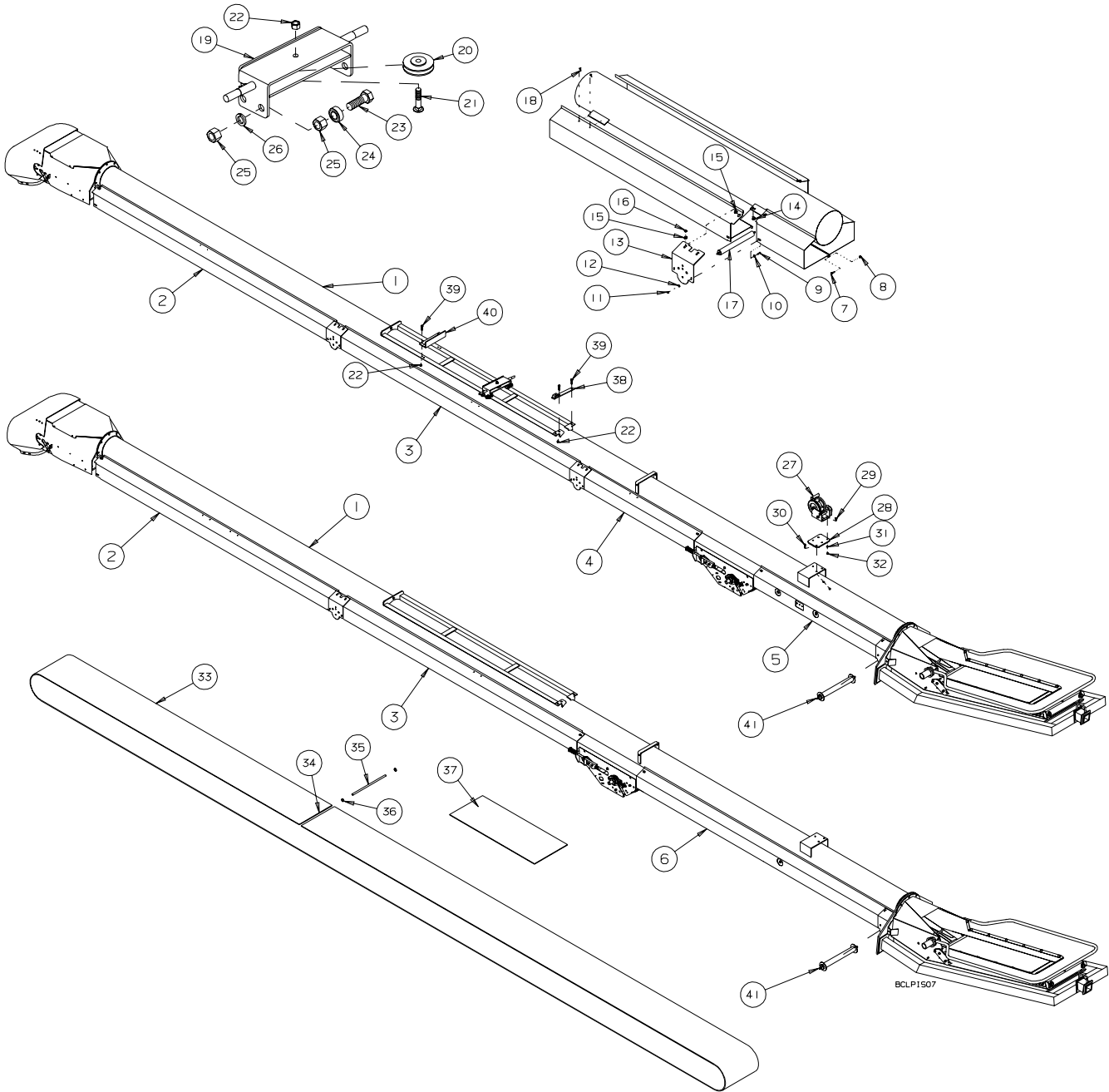
***1535 & 1545 LOW PROFILE
GRAINBELT CONVEYORS***

PARTS LIST

SERIAL NOS. 77900 - 78449

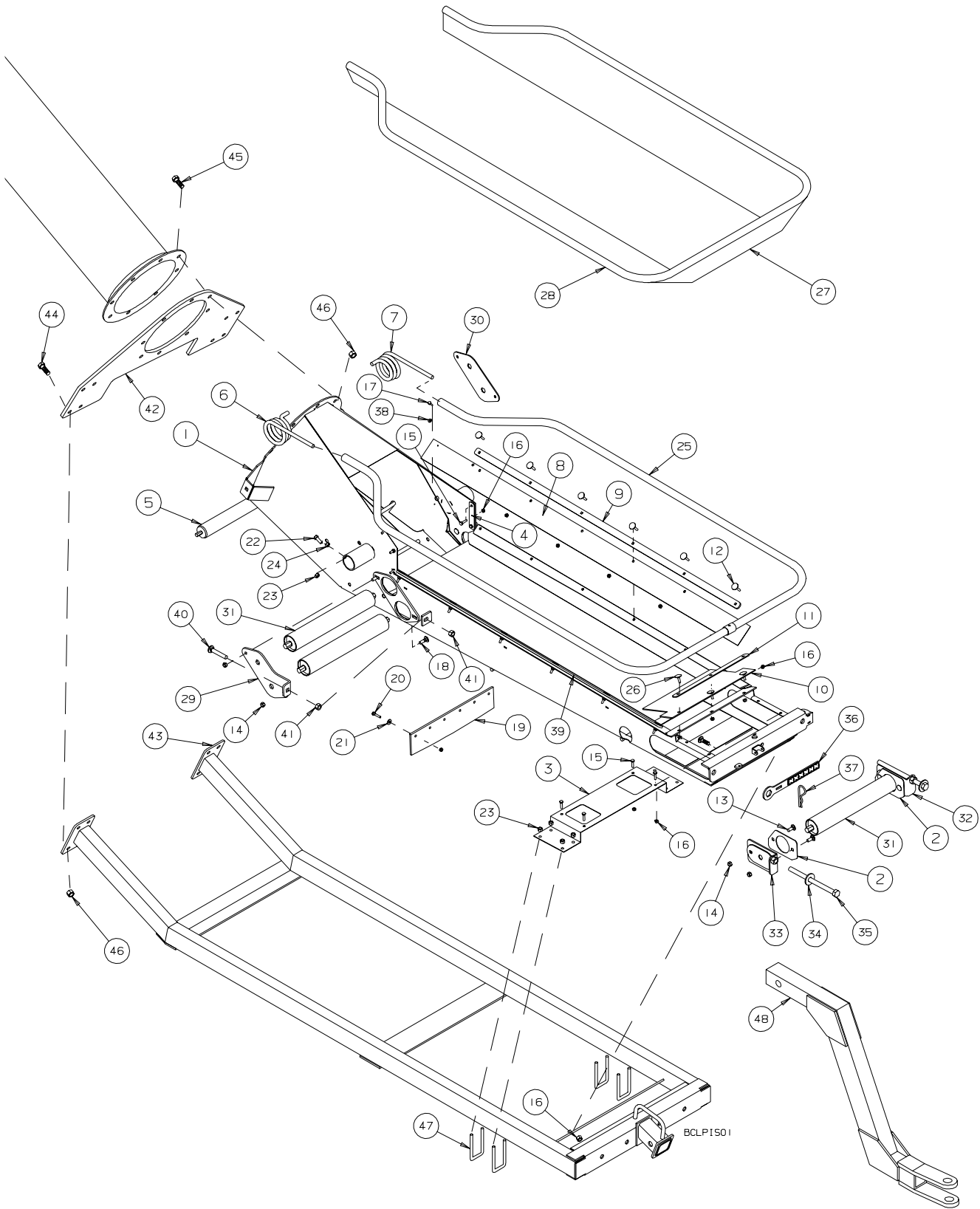
| REF # | PART # | DESCRIPTION |
|-------|----------|--|
| 1 | C201972 | 35' TUBE WELDMENT |
| 2 | C201909 | UPPER WIND GUARD - LEFT - 35' - 118" LG. |
| NS | C201909M | UPPER WIND GUARD - RIGHT - 35' - 118" LG. |
| 3 | C201277 | CENTRE PTO WIND GUARD - LEFT - 35' - 106 3/4" LG. |
| NS | C201277M | CENTRE PTO WIND GUARD - RIGHT - 35' - 106 3/4" LG. |
| 4 | C200880 | LOWER PTO WIND GUARD - LEFT - 35' - 62 1/2" LG. |
| NS | C200880M | LOWER PTO WIND GUARD - RIGHT - 35' - 62 1/2" LG. |
| 5 | C200879 | CENTRE GAS WIND GUARD - LEFT - 35' - 51 1/2" LG. |
| NS | C200879M | CENTRE GAS WIND GUARD - RIGHT - 35' - 51 1/2" LG. |
| 6 | C201891 | LOWER GAS WIND GUARD - LEFT - 35' - 119" LG. |
| NS | C201891M | LOWER GAS WIND GUARD - RIGHT - 35' - 119" LG. |
| 7 | B001001 | BOLT, 1/4" x 1/2" UNC GR5 PLT |
| 8 | B001124 | LOCKNUT, 1/4" NYLOCK GR5 |
| 9 | B001420 | SCREW #10-24 x 3/4" L PANHEAD,SS |
| 10 | B027497 | SHOULDER WASHER |
| 11 | B0011205 | LOCKNUT, #10-24 NYLOCK |
| 12 | B0011459 | FLATWASHER, #10 |
| 13 | C200608 | ROLLER BRACKET |
| 14 | B001082 | CARRIAGE BOLT, 3/8" x 1" |
| 15 | B0011495 | WASHER-SAE, 3/8" |
| 16 | B0011325 | LOCKNUT 3/8" STOVER |
| 17 | B021250 | ROLLER, 1.9" OD x 18" |
| 18 | B002036 | #10 x 5/8" TEK SCREW |
| 19 | C200856 | TRACK SLIDE |
| 20 | B394712 | 3" CABLE SHEAVE - 1/2" BORE |
| 21 | B001092 | CARRIAGE BOLT- 1/2" x 2 1/2" |
| 22 | B001136 | 1/2" LOCK NUT |
| 23 | B001101 | 3/4" x 2 1/2" BOLT |
| 24 | B017255 | BEARING - 6203-3/4-2RS |
| 25 | B001142 | 3/4" HEX NUT |
| 26 | B001172 | 3/4" LOCK WASHER |
| 27 | B030200 | BRAKE WINCH - 1500 LBS. |
| 28 | C201244 | WINCH PLATE |
| 29 | B0010835 | 3/8"x 1 1/4" CARRIAGE BOLT |
| 30 | B001025 | 3/8"x 1 1/4" BOLT |
| 31 | B001165 | 3/8" LOCK WASHER |
| 32 | B001131 | 3/8" HEX NUT |
| 33 | B018636 | PVC BELT - 15" x 78' - LACED |
| 33 | B018635 | RUBBER BELT - 15" x 78' - LACED |
| 34 | B021321 | ALLIGATOR LACING - 15" c/w PIN |
| 35 | C200652 | ALLIGATOR LACING PIN ONLY - 15" |
| 36 | B021921 | PIN RETAINING WASHER |
| NS | C204584 | 15" LACING PIN KIT |
| 37 | B018611 | PVC BELT - 15" WIDE x 10' - LACED |
| 37 | B018612 | RUBBER BELT - 15" WIDE x 10' - LACED |
| 37 | B018613 | PVC BELT - 15" WIDE x 20' - LACED |
| 37 | B018614 | RUBBER BELT - 15" WIDE x 20' - LACED |
| 38 | C201964 | TRACK STOP |
| 39 | B001040 | 1/2" x 1 1/4" BOLT |
| 40 | C203106 | TRANSPORT STOP |
| 41 | C200795 | GUIDE ROLLER |

1545 LOW PROFILE CONVEYOR ASSEMBLY - GRAIN BELT CONVEYOR
SERIAL NOS. 77900 - 78449



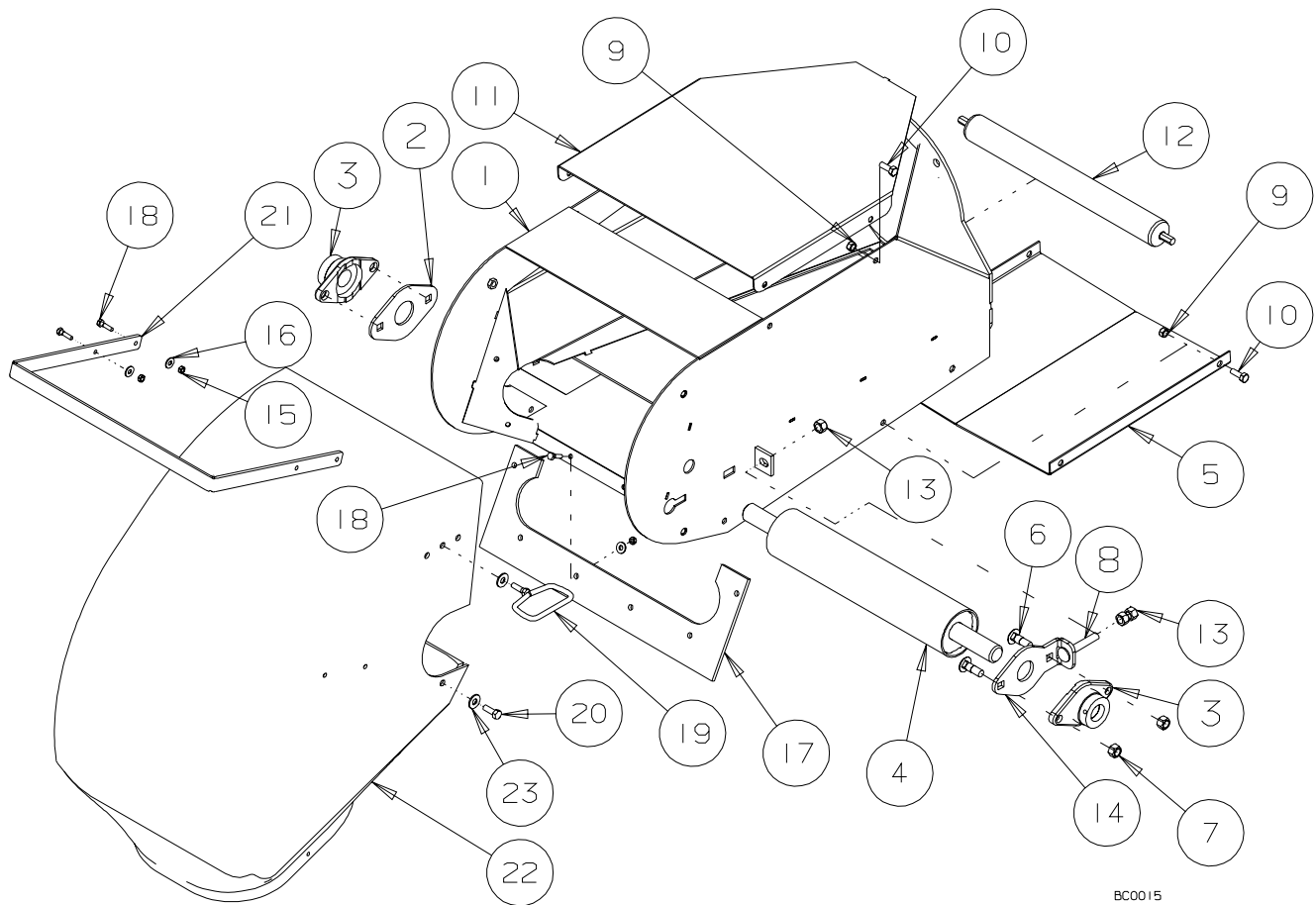
| REF # | PART # | DESCRIPTION |
|-------|----------|---|
| 1 | C200848 | 45' TUBE WELDMENT |
| 2 | C201899 | UPPER WIND GUARD - LEFT - 45' - 133 3/8" LG. |
| NS | C201899M | UPPER WIND GUARD - RIGHT - 45' - 133 3/8" LG. |
| 3 | C201978 | CENTRE WIND GUARD - LEFT - 45' - 133 3/8" LG. |
| NS | C201978M | CENTRE WIND GUARD - RIGHT - 45' - 133 3/8" LG. |
| 4 | C201974 | CENTRE PTO WIND GUARD - LEFT - 45' - 40" LG. |
| NS | C201974M | CENTRE PTO WIND GUARD - RIGHT - 45' - 40" LG. |
| 5 | C201975 | LOWER PTO WIND GUARD - LEFT - 45' - 98 1/4" LG. |
| NS | C201975M | LOWER PTO WIND GUARD - RIGHT - 45' - 98 1/4" LG. |
| 6 | C201977 | LOWER GAS WIND GUARD - LEFT - 45' - 141 5/8" LG. |
| NS | C201977M | LOWER GAS WIND GUARD - RIGHT - 45' - 141 5/8" LG. |
| 7 | B001001 | BOLT, 1/4" x 1/2" UNC GR5 PLT |
| 8 | B001124 | LOCKNUT, 1/4" NYLOCK GR5 |
| 9 | B001420 | SCREW #10-24 x 3/4" L PANHEAD,SS |
| 10 | B027497 | SHOULDER WASHER |
| 11 | B0011205 | LOCKNUT, #10-24 NYLOCK |
| 12 | B0011459 | FLATWASHER, #10 |
| 13 | C200608 | ROLLER BRACKET |
| 14 | B001082 | CARRIAGE BOLT, 3/8" x 1" |
| 15 | B0011495 | WASHER-SAE, 3/8" |
| 16 | B0011325 | LOCKNUT 3/8" STOVER |
| 17 | B021250 | ROLLER, 1.9" OD x 18" |
| 18 | B002036 | #10 x 5/8" TEK SCREW |
| 19 | C200856 | TRACK SLIDE |
| 20 | B394712 | 3" CABLE SHEAVE - 1/2" BORE |
| 21 | B001092 | CARRIAGE BOLT- 1/2" x 2 1/2" |
| 22 | B001136 | 1/2" LOCK NUT |
| 23 | B001101 | 3/4" x 2 1/2" BOLT |
| 24 | B017255 | BEARING - 6203-3/4-2RS |
| 25 | B001142 | 3/4" HEX NUT |
| 26 | B001172 | 3/4" LOCK WASHER |
| 27 | B030200 | BRAKE WINCH - 1500 LBS. |
| 28 | C201244 | WINCH PLATE |
| 29 | B0010835 | 3/8" x 1 1/4" CARRIAGE BOLT |
| 30 | B001025 | 3/8" x 1 1/4" BOLT |
| 31 | B001165 | 3/8" LOCK WASHER |
| 32 | B001131 | 3/8" HEX NUT |
| 33 | B018638 | PVC BELT - 15" x 98' - LACED |
| 33 | B018637 | RUBBER BELT - 15" x 98' - LACED |
| 34 | B021321 | ALLIGATOR LACING - 15" c/w PIN |
| 35 | C200652 | ALLIGATOR LACING PIN ONLY - 15" |
| 36 | B021921 | PIN RETAINING WASHER |
| NS | C204584 | 15" LACING PIN KIT |
| 37 | B018611 | PVC BELT - 15" WIDE x 10' - LACED |
| 37 | B018612 | RUBBER BELT - 15" WIDE x 10' - LACED |
| 37 | B018613 | PVC BELT - 15" WIDE x 20' - LACED |
| 37 | B018614 | RUBBER BELT - 15" WIDE x 20' - LACED |
| 38 | C201964 | TRACK STOP |
| 39 | B001040 | 1/2" x 1 1/4" BOLT |
| 40 | C203106 | TRANSPORT STOP |
| 41 | C200795 | GUIDE ROLLER |

LOW PROFILE INTAKE - 1535 & 1545 GRAIN BELT CONVEYOR
SERIAL NOS. 77900 - 78449



| REF # | PART NO. | DESCRIPTION |
|-------|----------|--------------------------------------|
| 1 | C202742 | Low Profile Hopper Weldment |
| 2 | C203108 | Back Plate |
| 3 | C203590 | Low Profile Hopper Gusset |
| 4 | C200796 | Hopper Flap |
| 5 | B021257 | 1.9" OD Roller x 15 1/8" |
| 6 | B021740L | Hopper Spring - Left |
| 7 | B021740R | Hopper Spring - Right |
| 8 | B027539R | Transfer Flashing - Right |
| 9 | C200631 | Side Fabric Strap |
| 10 | B027526 | Transfer Rear Hopper Flashing |
| 11 | C200632 | Rear Fabric Strap |
| 12 | B002225 | 1/4"x 1 1/2" Elevator Bolt |
| 13 | B001082 | 3/8"x 1" Carriage Bolt |
| 14 | B001132 | 3/8" Lock Nut |
| 15 | B001003 | 1/4"x 1" Bolt |
| 16 | B001124 | 1/4" Lock Nut |
| 17 | B002036 | #10 x 5/8" Tek Screw |
| 18 | B0010835 | 3/8"x 1 1/4" Carriage Bolt |
| 19 | B027518 | Transfer Dozer Flashing |
| 20 | B0010036 | 1/4"x 1 1/4" Bolt |
| 21 | B001147 | 1/4" Flatwasher |
| 22 | B001024 | 3/8"x 1" Bolt |
| 23 | B0011325 | 3/8" Stover Lock Nut |
| 24 | B001131 | 3/8" Hex Nut |
| 25 | C200794 | Transfer Hopper Rail |
| 26 | B002226 | 1/4"x 1" Elevator Bolt |
| 27 | B021421 | Transfer Hopper Fabric |
| 28 | B024082 | 1" ID x 140" Flexible Conduit |
| 29 | C202319 | Adjustable Roller Cap |
| 30 | C202320 | Roller Cap |
| 31 | B021256 | 2 1/2" Transfer 'S' Roller |
| 32 | C203745R | Transfer Adjuster - Right |
| 33 | C203745L | Transfer Adjuster - Left |
| 34 | B001153 | 5/8" Flatwasher |
| 35 | B002600 | 5/8"x 9" Bolt - Full Thread |
| 36 | C202307A | Wrench Assembly |
| 37 | B002091 | .177 x 3 3/4" Hair Pin Clip |
| 38 | B0011459 | #10 Flatwasher |
| 39 | B027539L | Transfer Flashing - Left |
| 40 | B001091 | 1/2"x 3" Carriage Bolt - Full Thread |
| 41 | B001135 | 1/2" Hex Nut |
| 42 | C202344 | Flange Hitch Plate |
| 43 | C202345 | Low Profile Hopper Hitch |
| 44 | B001040 | 1/2"x 1 1/4" Bolt |
| 45 | B001041 | 1/2" x 1 1/2" Bolt |
| 46 | B001134 | 1/2" Stover Lock Nut |
| 47 | B0020138 | 3/8"x 2" Sq. U-bolt x 4" lg. |
| 48 | C202544 | Offset Hitch |

DISCHARGE ASSEMBLY - GRAIN BELT CONVEYOR
SERIAL NOS. 77900 - 78449

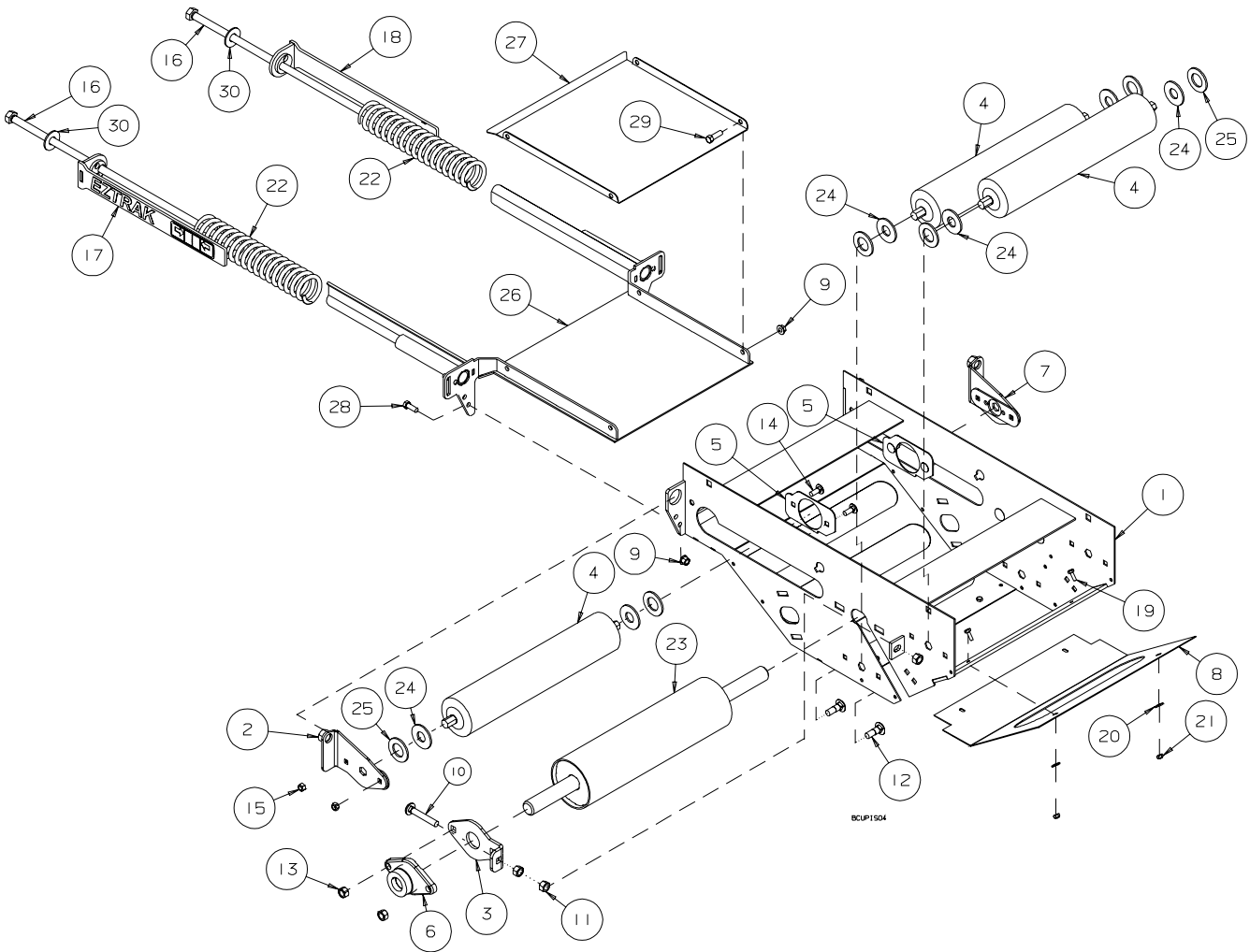


BC0015

| REF # | PART # | DESCRIPTION |
|-------|----------|--|
| 1 | C200717H | DISCHARGE 65', 75' |
| 2 | C200609 | BEARING PLATE |
| 3 | B0172015 | BEARING, 1 1/4" - 2 BOLT FLANGE INA |
| 4 | C200708 | ROLLER, 3 1/2" x 16 1/2" |
| 5 | C200605 | DISCHARGE BOTTOM GUARD |
| 6 | B0010885 | CARRIAGE BOLT, 1/2" x 1 1/2", SHORT NECK |
| 7 | B001409 | 1/2" SERRATED FLANGE NUT |
| 8 | B001091 | CARRIAGE BOLT, 1/2" x 3" |
| 9 | B0011325 | LOCKNUT, 3/8" STOVER |
| 10 | B001024 | BOLT, 3/8" x 1" UNC GR5 PLT. |
| 11 | C200644 | DISCHARGE CAP MAIN |
| 12 | B021250 | ROLLER, 1.9" OD x 18" |
| 13 | B001135 | NUT, 1/2" HEX |
| 14 | C200615 | SHAFT GUARD - 1.25" |
| 15 | B001124 | LOCKNUT, 1/4" NYLOCK GR5 |
| 16 | B001147 | FLATWASHER, 1/4" |
| 17 | B027519 | WIPER, DISCHARGE, 2 PLY RUBBER |
| 18 | B001003 | BOLT, 1/4" x 1" UNC GR5 PLT |
| 19 | C200797 | DISCHARGE HANDLE |
| 20 | B001024 | BOLT, 3/8" x 1" UNC GR5 PLT |
| 21 | C200641 | TRANSFER HANDLE |
| 22 | B027600 | DISCHARGE SPOUT, 10" TUBE |
| 23 | B001149 | FLATWASHER, 3/8" |

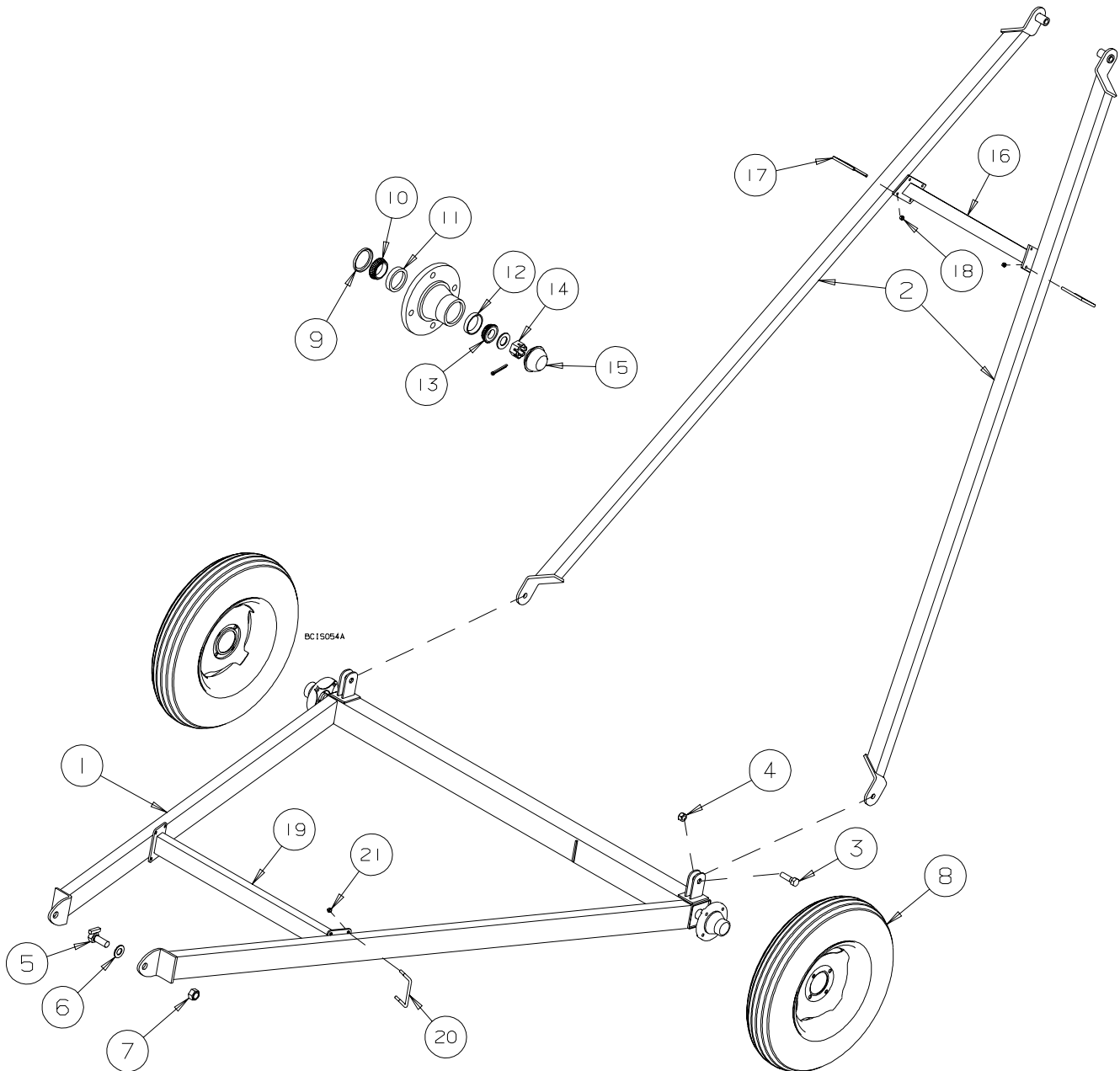
S DRIVE ASSEMBLY - GRAIN BELT CONVEYOR

SERIAL NOS. 77900 - 78449



| REF # | PART # | DESCRIPTION |
|-------|----------|--|
| 1 | C200845 | SMALL S-DRIVE BODY WELDMENT |
| 2 | C201976R | HEX ADJUSTER - RIGHT |
| 3 | C200615 | SHAFT GUARD - 1.25" DIA. |
| 4 | B021255 | 2.5" OD ROLLER x 18" LONG (Serial No. 70500 and up) |
| 4 | B0212551 | 3.5" OD ROLLER X 18" LONG (Serial No. 62483-62754) |
| 5 | C200636 | BACK PLATE |
| 6 | B0172015 | 1 1/4" DIA BEARING - 2 BOLT |
| 7 | C201976L | HEX ADJUSTER - LEFT |
| 8 | C202316 | SMALL S-DRIVE GUARD (Serial No. 70500 and up) |
| 8 | C201229 | SMALL S-DRIVE GUARD (Serial No. 62483-62754) |
| 9 | B0011326 | 3/8" FLANGE LOCK NUT |
| 10 | B001091 | 1/2"x 3" CARRIAGE BOLT - FULL THREAD |
| 11 | B001135 | 1/2" HEX NUT |
| 12 | B0010885 | 1/2"x 1 1/2" CARRIAGE BOLT - SHORT NECK |
| 13 | B001134 | 1/2" STOVER LOCK NUT |
| 14 | B001082 | 3/8"x 1" CARRIAGE BOLT |
| 15 | B001132 | 3/8" LOCK NUT |
| 16 | B0026016 | 5/8"x 26 1/2" BOLT - FULL THREAD |
| 17 | C205594L | SPRING TENSION GUAGE - LEFT |
| 18 | C205594R | SPRING TENSION GUAGE - RIGHT |
| 19 | B001002 | 1/4"x 3/4" BOLT |
| 20 | B001147 | 1/4" FLATWASHER |
| 21 | B001124 | 1/4" LOCK NUT |
| 22 | B0210731 | COMPRESSION SPRING - 2 1/2" OD x 16" LONG x .343" WIRE |
| 23 | C200846 | 5" DIA DRIVE ROLLER - KEYED |
| 24 | B001157 | 3/4" SAE FLATWASHER |
| 25 | B002070 | 1 1/2" OD x 1" ID x 14 GA MACHINERY BUSHING |
| 26 | C205587 | LOWER S-DRIVE BELT GUIDE |
| 27 | C205143 | UPPER S-DRIVE BELT GUIDE |
| 28 | B001024 | 3/8" x 1" BOLT |
| 29 | B001023 | 3/8" x 3/4" BOLT |
| 30 | B001153 | 5/8" FLATWASHER |

UNDERCARRIAGE ASSEMBLY - GRAIN BELT CONVEYOR
SERIAL NOS. 77900 - 78449



| REF # | PART # | DESCRIPTION |
|-------|----------|----------------------------|
| 1 | C201970 | 35' AXLE FRAME WELDMENT |
| 1 | C200868 | 45' AXLE FRAME WELDMENT |
| 2 | C201971 | 35' A-FRAME ARM |
| 2 | C200860 | 45' A-FRAME ARM |
| 3 | B001101 | 3/4"x 2 1/2" BOLT |
| 4 | B001154 | 3/4" STOVER LOCK NUT |
| 5 | C200666 | SUSPENSION BOLT |
| 6 | B001159 | 1" FLAT WASHER |
| 7 | B001075 | 1" STOVER LOCK NUT |
| 8 | B011205 | 15" TIRE & RIM ASSEMBLY |
| 9 | B011604 | GREASE SEAL - 411 HUB |
| 10 | B011603 | INNER BEARING - LM67048 |
| 11 | B011602 | INNER CUP - LM67010 |
| 12 | B011600 | OUTER CUP - LM11910 |
| 13 | B011601 | OUTER BEARING - LM11949 |
| 14 | B011677 | 3/4" CASTLE NUT |
| 15 | B011500 | DUST CAP - 411 HUB |
| 16 | C201257 | 35' A-FRAME CROSS BRACE |
| 16 | C201258 | 45' A-FRAME CROSS BRACE |
| 17 | B002011 | 5/16" x 2 1/2" SQ. U-BOLT |
| 18 | B0011275 | 5/16" STOVER LOCK NUT |
| 19 | C201306 | 35' AXLE FRAME CROSS BRACE |
| 19 | C201255 | 45' AXLE FRAME CROSS BRACE |
| 20 | B0020162 | 3/8"x 4" U-BOLT x 3" LG |
| 21 | B0011325 | 3/8" STOVER LOCK NUT |

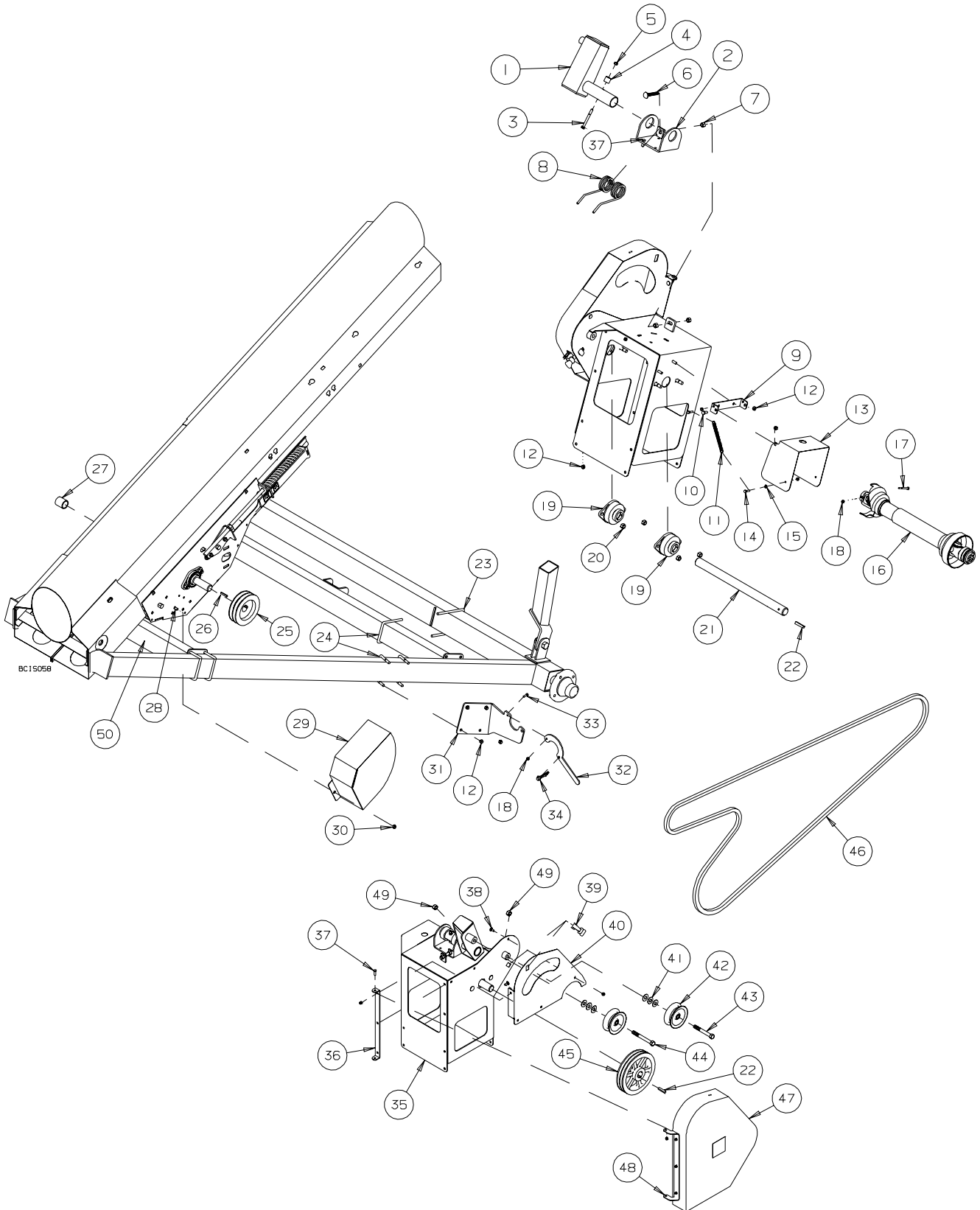
| REF # | PART # | DESCRIPTION |
|-------|----------|---|
| 1 | B017050 | 1" DIA. BEARING - 2 BOLT |
| 2 | B011833 | 1" UNLOADER JACK SHAFT |
| 3 | B001083 | 3/8"x 1 1/2" CARRIAGE BOLT |
| 4 | B0011325 | 3/8" STOVER LOCK NUT |
| 5 | C201200 | GUARD STOP |
| 6 | B0219992 | RUBBER LATCH |
| 7 | C201862 | CHAIN GUARD HINGE |
| 8 | B001002 | 1/4"x 3/4" BOLT |
| 9 | B001124 | 1/4" LOCK NUT |
| 10 | B0090105 | 60-19 SPROCKET x 1 1/4" BORE |
| 11 | B0090275 | 60-14 SPROCKET x 1" BORE |
| 12 | B194012 | 5/16" KEY x 1 1/2" LG. |
| 13 | B689169 | 1/4" KEY x 1 1/2" LG. |
| 14 | B0090135 | R60 CHAIN x 37 PITCH |
| 15 | C201203 | PLASTIC CHAIN GUARD ASSEMBLY |
| 16 | B002047 | 3/16"x 1 1/4" COTTER PIN |
| 17 | B001155 | 3/4" FLAT WASHER |
| 18 | B0020275 | 1/2" EYEBOLT x 12 5/8" LG. |
| 19 | B496521 | BELT TENSIONER TUBE |
| 20 | B496735 | SPRING CAP |
| 21 | B021082 | COMPRESSION SPRING - 1.42" OD x 3.68" LG - .187" WIRE |
| 22 | B001134 | 1/2" STOVER LOCK NUT |
| 23 | B001073 | 5/8"x 3 1/2" BOLT |
| 24 | C201250 | IDLER ARM |
| 25 | C201240 | IDLER SPACER |
| 26 | B018044 | IDLER PULLEY - 5/8" BORE |
| 27 | B001141 | 5/8" LOCK NUT |
| 28 | B001151 | 1/2" FLAT WASHER |
| 29 | B0020485 | 1/8"x 1" COTTER PIN |
| 30 | B001135 | 1/2" HEX NUT |
| 31 | B001167 | 1/2" LOCK WASHER |
| 32 | B695298 | MOTOR MOUNT BRACKET |
| 33 | B0010875 | 1/2"x 1 1/4" CARRIAGE BOLT |
| 34 | B001003 | 1/4"x 1" BOLT |
| 35 | B001149 | 3/8" FLAT WASHER |
| 36 | C201214 | GUARD HINGE |
| 37 | C201217 | HINGE STOP BOTTOM |
| 38 | B001082 | 3/8"x 1" CARRIAGE BOLT |
| 39 | C201212 | PULLEY COVER |
| 40 | B018032 | 2B12.0 PULLEY - 1" BORE |
| 41 | C201209 | PLASTIC BELT GUARD |
| 42 | B0180673 | B-96 BELT |
| 43 | C200853 | MOTOR MOUNT - 35', 45' |

GAS ENGINE DRIVE KIT - GRAIN BELT CONVEYOR
SERIAL NOS. 77900 - 78449



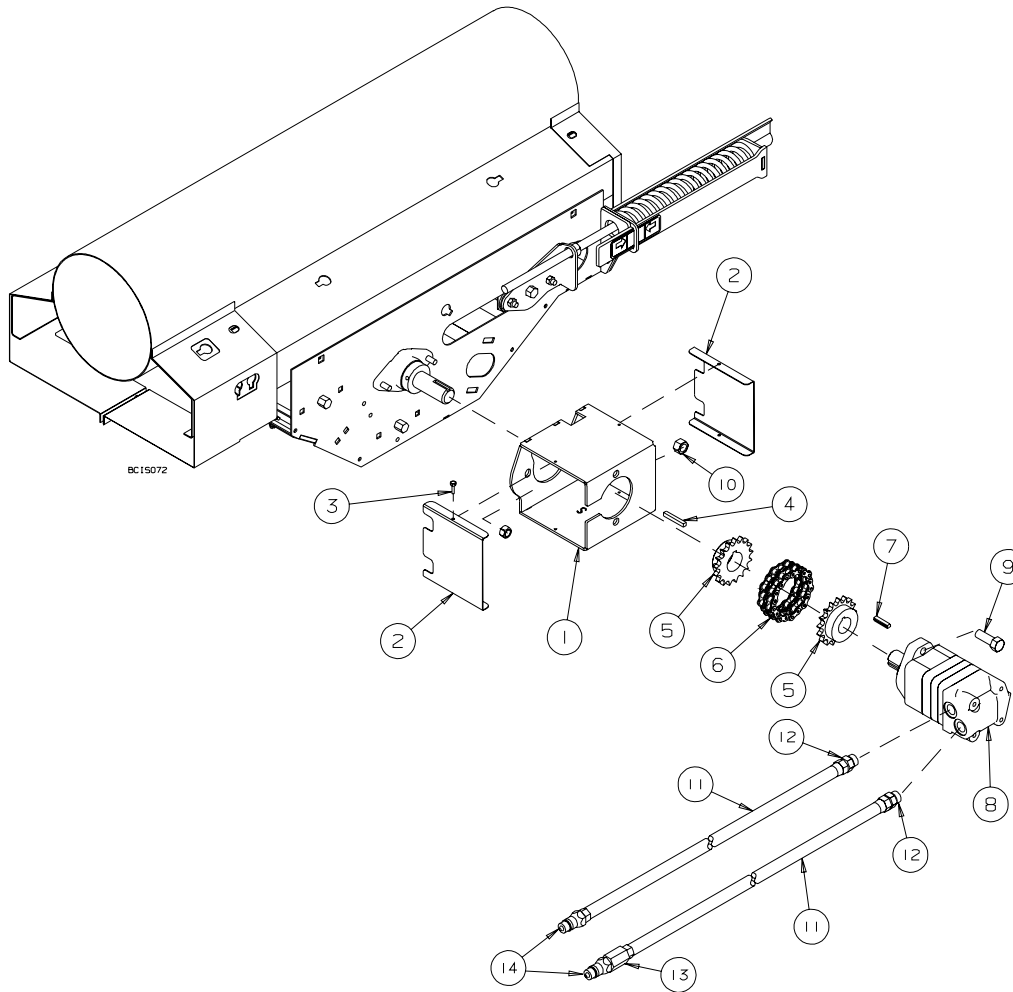
| REF # | PART # | DESCRIPTION |
|-------|----------|---|
| 1 | B017050 | 1" DIA. BEARING - 2 BOLT |
| 2 | B011833 | 1" UNLOADER JACK SHAFT |
| 3 | B001083 | 3/8"x 1 1/2" CARRIAGE BOLT |
| 4 | B0011325 | 3/8" STOVER LOCK NUT |
| 5 | C201200 | GUARD STOP |
| 6 | B0219992 | RUBBER LATCH |
| 7 | C201862 | CHAIN GUARD HINGE |
| 8 | B001002 | 1/4"x 3/4" BOLT |
| 9 | B001124 | 1/4" LOCK NUT |
| 10 | B009257 | 60-40 SPROCKET x 1 1/4" BORE |
| 11 | B0090275 | 60-14 SPROCKET x 1" BORE |
| 12 | B194012 | 5/16" KEY x 1 1/2" LG. |
| 13 | B689169 | 1/4" KEY x 1 1/2" LG. |
| 14 | B0090145 | R60 CHAIN x 51 PITCH |
| 15 | C201203 | PLASTIC CHAIN GUARD ASSEMBLY |
| 16 | C200933 | MOTOR ARM |
| 17 | C201205 | ENGINE LINK |
| 18 | C200936 | OFFSET MOTOR ARM |
| 19 | B001024 | 3/8"x 1" BOLT |
| 20 | B001149 | 3/8" FLAT WASHER |
| 21 | B0010835 | 3/8"x 1 1/4" CARRIAGE BOLT |
| 22 | B695298 | MOTOR MOUNT BRACKET |
| 23 | C200935 | MOTOR RAIL |
| 24 | C200937 | MOTOR BASE |
| 25 | B001025 | 3/8"x 1 1/4" BOLT |
| 26 | C205593 | MOTOR LINK |
| 27 | C205595 | TENSION HANDLE |
| 28 | B027500 | PLASTIC SLIDER BUSHING |
| 29 | C205934 | ENGINE BASE |
| 30 | C201254 | BATTERY/GAS TANK BASE |
| 31 | B002001 | 1/4"x 8 1/4" U-BOLT x 9 3/4" LG. |
| 32 | B001147 | 1/4" FLAT WASHER |
| 33 | C201253 | BATTERY BASE RAIL |
| 34 | B021062 | 20" RUBBER TARP STRAP |
| 35 | C201276 | GAS TANK - 5 GALLON |
| 36 | C205138 | LONG GUARD HINGE |
| 37 | B0010819 | 3/8"x 3/4" CARRIAGE BOLT |
| 38 | C205141 | SHEAVE COVER |
| 39 | B018074 | B-86 BELT (Onan) (B018074 B-87 Kohler) (B018068 B-89 Honda) |
| 40 | C205140 | BELT GUARD STOP |
| 41 | B001002 | 1/4"x 3/4" BOLT |
| 42 | B018032 | 2B12.0 PULLEY - 1" BORE |
| 43 | C205137 | PLASTIC BELT GUARD |
| 44 | C205142 | SHORT GUARD HINGE |
| 45 | C201252 | MOTOR TORQUE ARM |
| 46 | B027419 | Gasoline Container - 5 gal |
| 47 | B0280365 | 1/4" MPT x 1/4" HB Brass Fitting |
| 48 | B028210 | 1/4" PT Brass Valve |
| 49 | B028212 | 1/4" FPT x 1/4" HB Brass Fitting |
| 50 | B024150 | 1/4" Hose Clamp |
| 51 | C201259 | 1/4" Gas Line x 15" |
| 52 | B0280835 | 1/4" Bulk Head Fitting - 1/4" HB both ends |
| 53 | B028211 | 1/4" MPT Bronze Breather Vent |
| 54 | C204152 | Belt Rest |
| 55 | B0011326 | 3/8" Locking Flange Nut |
| 56 | C205286 | 1/4" Polyurethane Gas Line x 15" |

PTO DRIVE KIT - GRAIN BELT CONVEYOR
SERIAL NOS. 77900 - 78449



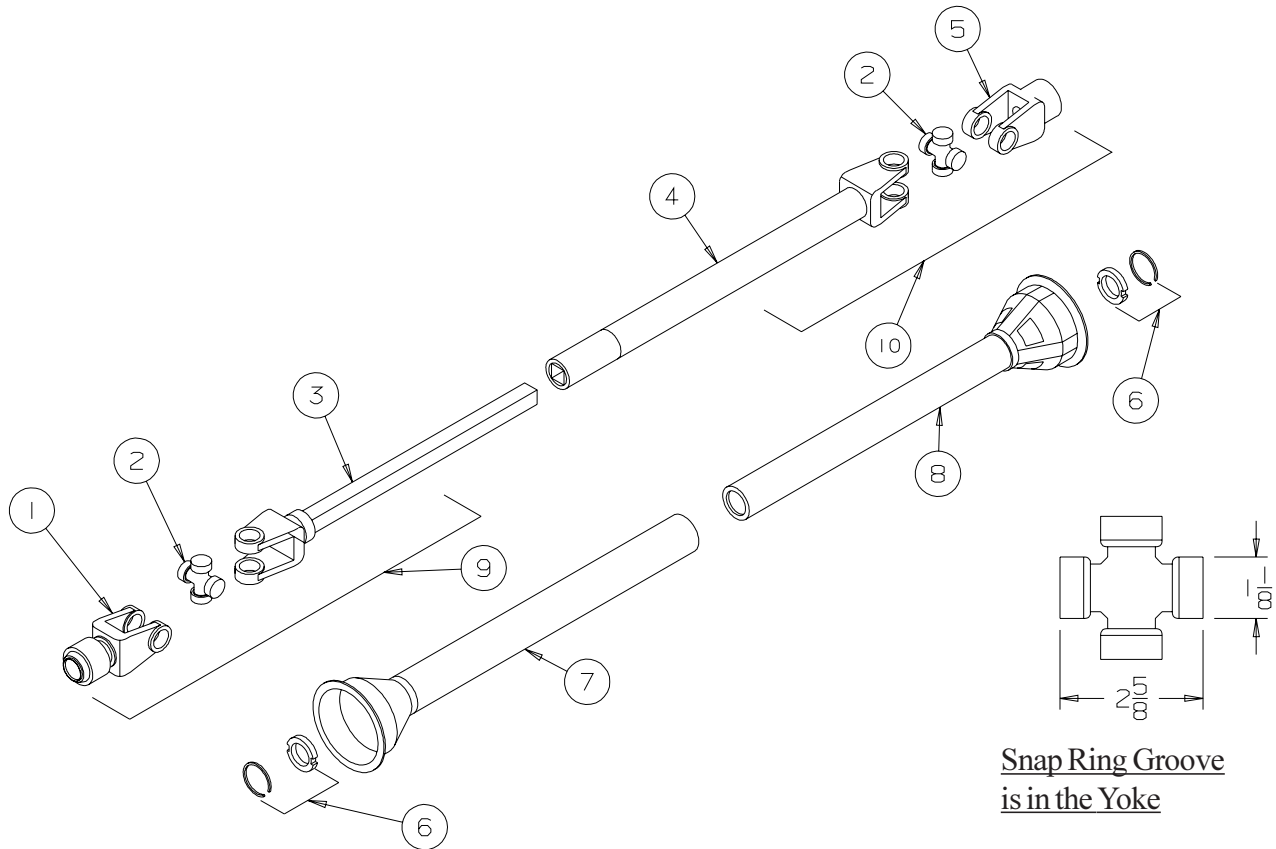
| REF # | PART NO. | DESCRIPTION |
|-------|----------|--|
| 1 | C201969 | Pulley Swivel |
| 2 | C201968 | Pulley Yoke |
| 3 | B001019 | 5/16"x 4" Bolt |
| 4 | C202317 | Spring Bushing |
| 5 | B001127 | 5/16" Lock Nut |
| 6 | B001091 | 1/2"x 3" Carriage Bolt - Full Thread |
| 7 | B001135 | 1/2" Hex Nut |
| 8 | B021088 | Return Torsion Spring |
| 9 | C201299 | PTO Guard Mount |
| 10 | B001023 | 3/8"x 3/4" Bolt |
| 11 | B021074 | Extension Spring |
| 12 | B0011325 | 3/8" Stover Lock Nut |
| 13 | C201301 | PTO Guard |
| 14 | B0010036 | 1/4"x 1 1/4" Bolt |
| 15 | B001122 | 1/4" Hex Nut |
| 16 | B003060 | PTO Shaft |
| 17 | B0010061 | 1/4"x 3" Bolt |
| 18 | B0011245 | 1/4" Stover Lock Nut |
| 19 | B017223 | 1 1/2" dia. Bearing - 2 Bolt |
| 20 | B001136 | 1/2" Lock Nut |
| 21 | B0011832 | 1 1/2" Driveshaft x 22" |
| 22 | C200649 | 3/8" Key x 2" |
| 23 | B002016 | 3/8"x 4" Sq. U-Bolt x 5 5/8" |
| 24 | B0020162 | 3/8"x 4" U-Bolt x 3" |
| 25 | B0180185 | 2B6" OD Pulley - 1.25" Bore |
| 26 | B689169 | 1/4" Key x 1 1/2" |
| 27 | B027535 | Plastic Shaft Cap - 1.25" ID x 2" Lg. |
| 28 | B001082 | 3/8"x 1" Carriage Bolt |
| 29 | C201225 | PTO S-Drive Guard |
| 30 | B0011326 | 3/8" Flange Lock Nut |
| 31 | C201242 | PTO Holder |
| 32 | C201998 | PTO Lock Handle |
| 33 | B001003 | 1/4"x 1" Bolt |
| 34 | B002095 | 3/8"x 1 3/4" Lock Pin |
| 35 | C201218 | PTO Base |
| 36 | C201222 | PTO Guard Mount |
| 37 | B001010 | 5/16"x 1" Bolt |
| 38 | B001081 | 5/16"x 3/4" Carriage Bolt |
| 39 | B0219992 | Rubber Latch |
| 40 | C202220 | PTO Idler Guard |
| 41 | B0020675 | 1 1/8" ODx 5/8" ID x 14 ga Machinery Bushing |
| 42 | B0180445 | 4" OD x 5/8" Bore Idler Pulley |
| 43 | B001074 | 5/8"x 4" Bolt |
| 44 | B0010743 | 5/8"x 4 1/2" Bolt |
| 45 | B0180311 | 2B9.75" Pulley x 1 1/2" Bore |
| 46 | B018051 | B-177 Belt - 35' Conveyor |
| 46 | B018053 | B-214 Belt - 45' Conveyor |
| 47 | B027533 | Plastic PTO Idler Guard |
| 48 | C201224 | Idler Guard Hinge |
| 49 | B001141 | 5/8" Lock Nut |
| 50 | C201256 | 35' Cross Brace |

HYDRAULIC DRIVE KIT - GRAIN BELT CONVEYOR
SERIAL NOS. 77900 - 78449



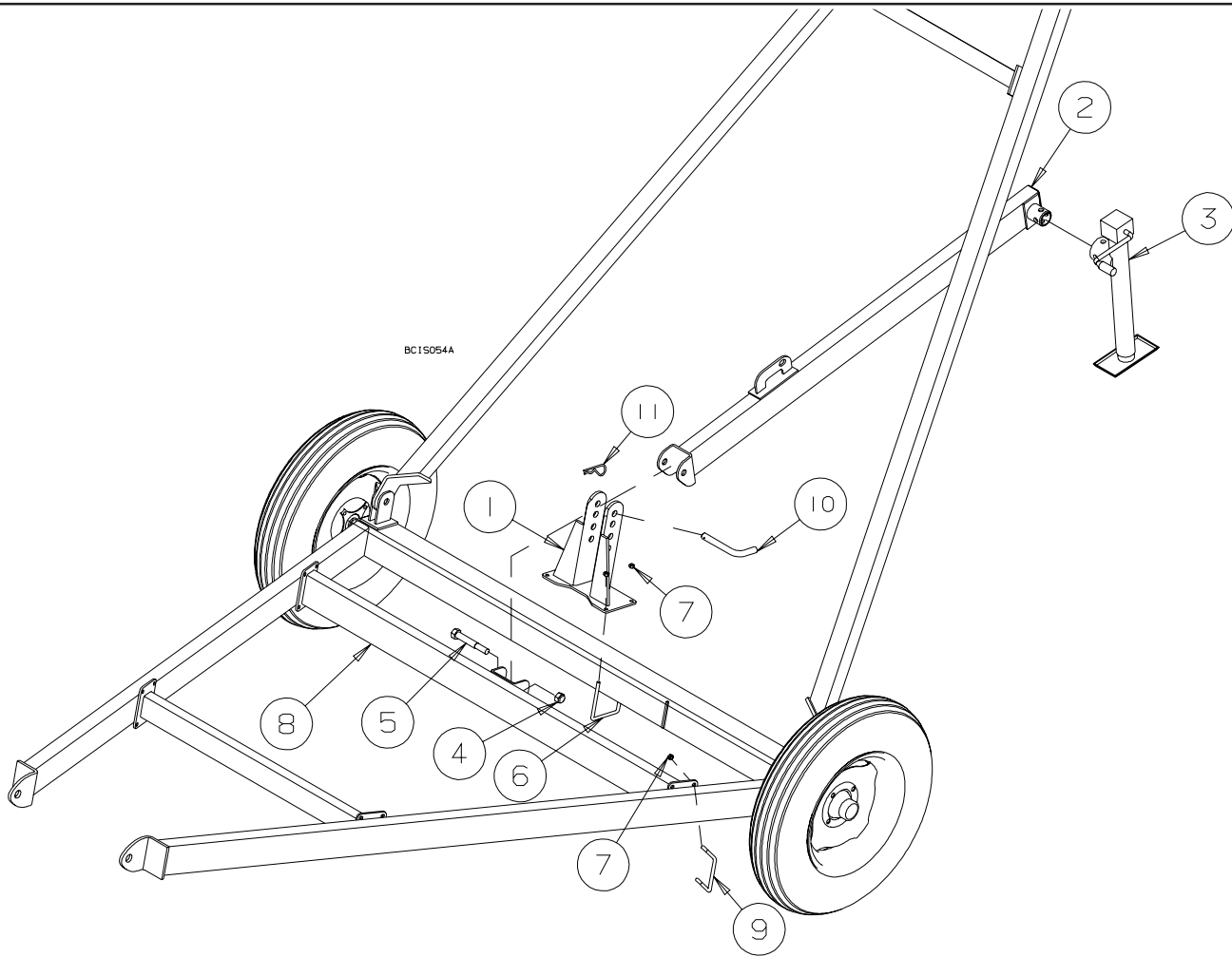
| REF # | PART NO. | DESCRIPTION |
|-------|----------|--|
| 1 | C203111 | Hydraulic Motor Mount |
| 2 | C203112 | Hydraulic Motor Guard |
| 3 | B002036 | #10 x 5/8" TEK Screw |
| 4 | C300708 | 1/4" x 1" Key |
| 5 | B009409 | 50- 17 Sprocket - 1 1/4" Bore |
| 6 | B009601 | R50-2 Chain - 17 pitch |
| 7 | C200952 | Offset Key - 1/4" x 5/16" - 1 1/4" lg. |
| 8 | B019047 | Hydraulic Motor |
| 9 | B001041 | 1/2" x 1 1/2" Bolt |
| 10 | B001134 | 1/2" Stover Lock Nut |
| 11 | B0191477 | 1/2" Hydra. Hose X 25' - 1/2" MPT x #10 FJIC |
| 12 | B0194345 | #10 MORB x #10 MJIC Adapter |
| 13 | B019537 | One Way Check Valve - 1/2" MPT x 1/2" FPT |
| 14 | B019200 | Male Pioneer Tip - 1/2" FPT |

WEASLER SERIES 14R
B003060 - BELT CONVEYOR - SIDE DRIVE



| REF # | PART NO. | DESCRIPTION | QTY. |
|-------|----------|--|------|
| 1 | B003772 | Tractor Yoke - 6 Spline | 1 |
| 2 | B0037101 | Cross & Bearing Kit | 2 |
| 3 | B003853 | Input Yoke & Shaft | 1 |
| 4 | B003854 | Output Yoke & Tube | 1 |
| 5 | B003855 | Implement Yoke - 1 1/2" Bore | 1 |
| 6 | B003776 | Shield Bearing | 2 |
| 7 | B003857 | Outer Shield | 1 |
| 8 | B003858 | Inner Shield | 1 |
| 9 | B003850 | Tractor Half of Shaft c/w Guard - 6 Spline | 1 |
| 10 | B003851 | Implement Half of Shaft c/w Guard | 1 |

WEIGHT TRANSFER KIT - GRAIN BELT CONVEYOR
SERIAL NOS. 77900 - 78449



| REF # | PART NO. | DESCRIPTION |
|-------|----------|---|
| 1 | C200955 | WEIGHT TRANSFER PIVOT |
| 2 | C200957 | WEIGHT TRANSFER ARM |
| 3 | B030520 | IMPLEMENT JACK- 2000 LBS- 15" SIDE WIND |
| 4 | B001154 | 3/4" STOVER LOCK NUT |
| 5 | B001110 | 3/4"x 5" BOLT |
| 6 | B002016 | 3/8"x 4" U-BOLT x 5 5/8" |
| 7 | B011325 | 3/8" STOVER LOCK NUT |
| 8 | C201247 | 35' WEIGHT CROSS |
| 8 | C201248 | 45' WEIGHT CROSS |
| 9 | B0020162 | 3/8"x 4" U-BOLT x 3" |
| 10 | C201241 | WEIGHT TRANSFER PIN |
| 11 | B002091 | .177" x 3 3/4" HAIR PIN CLIP |