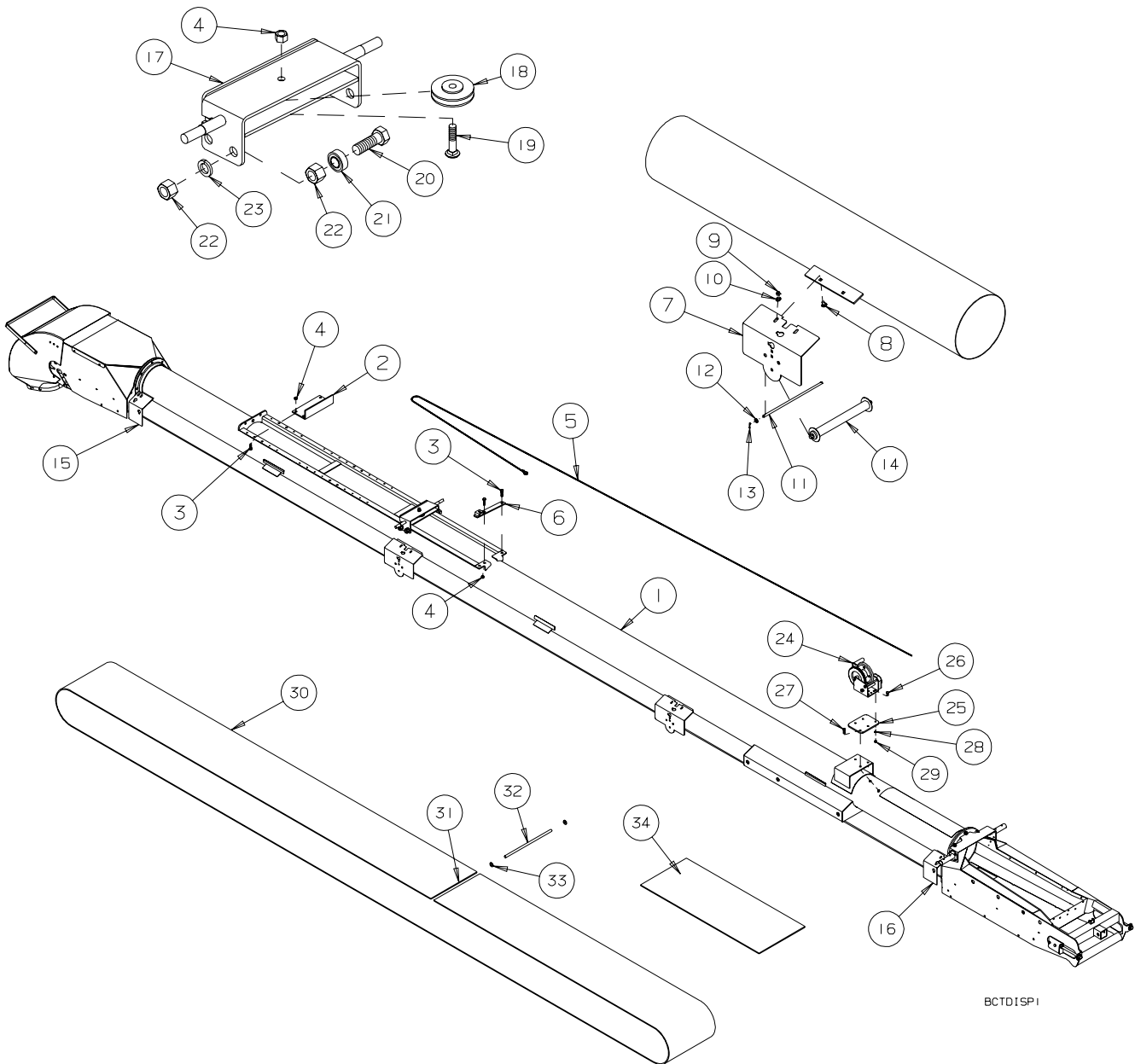


***1535 TOP DRIVE GRAINBELT
CONVEYOR***

PARTS LIST

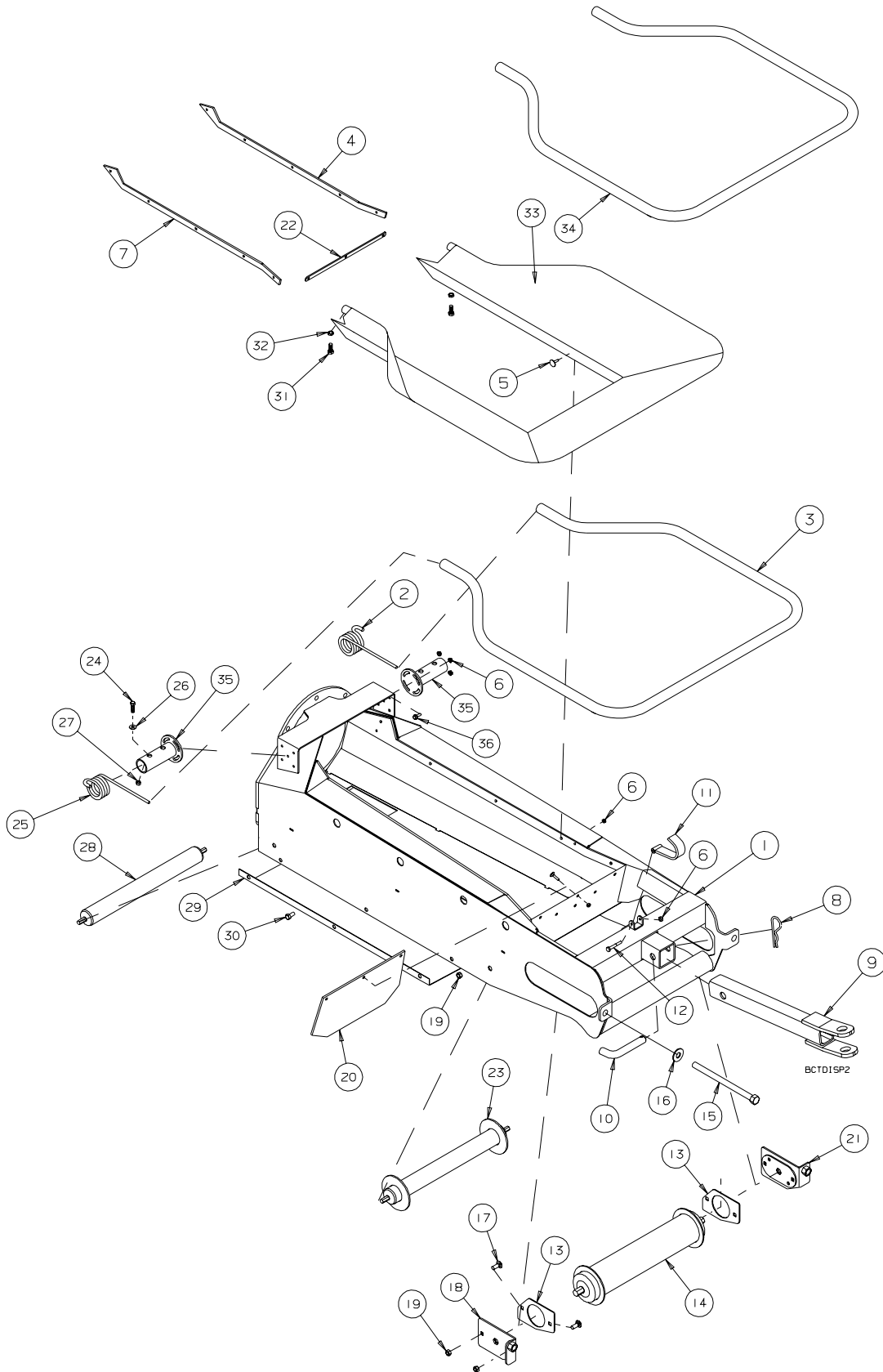
SERIAL NOS. 72700 - 79499

1535 TOP DRIVE CONVEYOR GENERAL ASSEMBLY
SERIAL NOS. 72700 - 79499



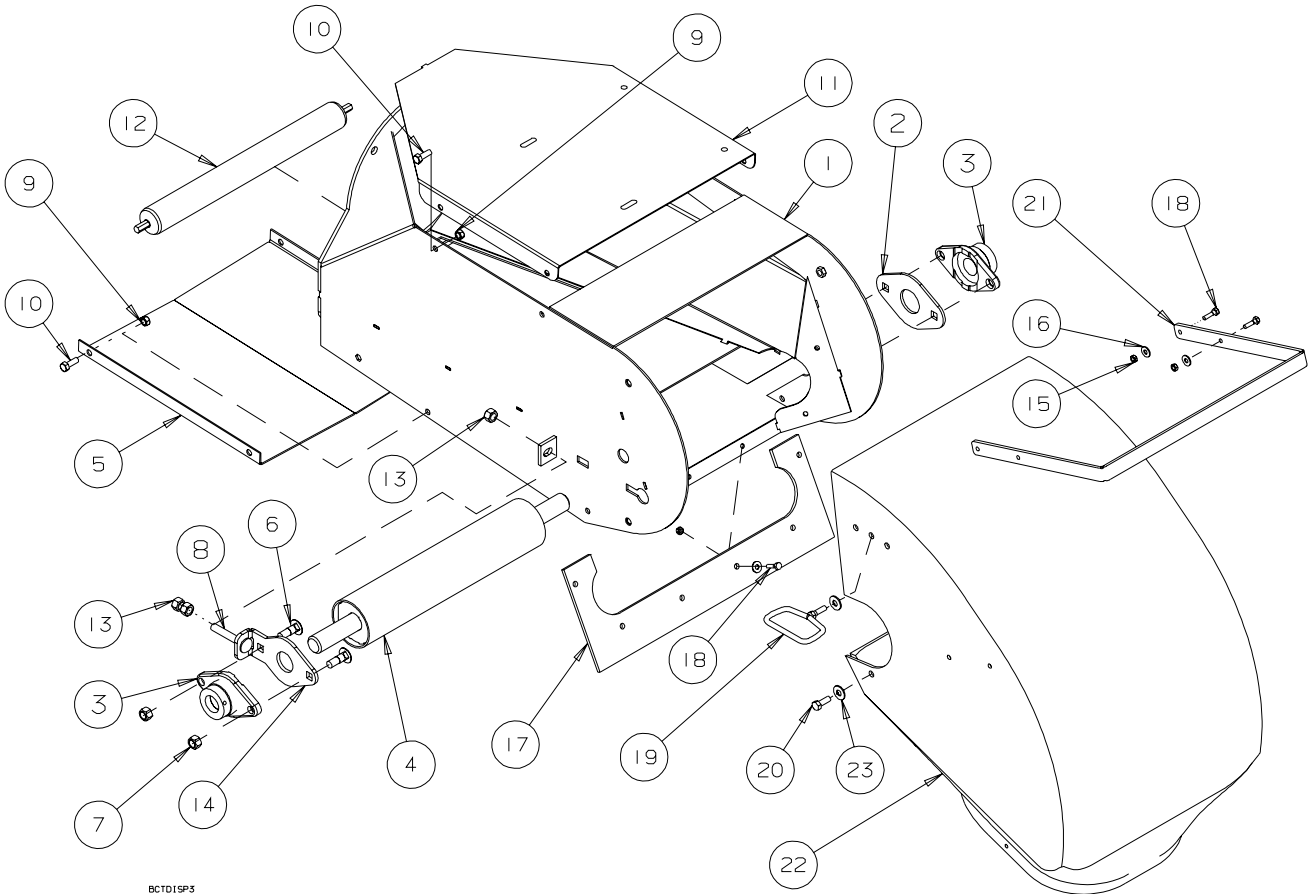
REF #	PART #	DESCRIPTION
1	C203100	35' TOP DRIVE TUBE WELDMENT
2	C203106	TRANSPORT STOP
3	B0010401	1/2"x 1 1/4" BOLT
4	B001134	1/2" STOVER LOCK NUT
5	B008391	WINCH CABLE - 1/4" x 34'
6	C201964	TRACK UP STOP
7	C203518	LARGE ROLLER BRACKET
8	B001082	3/8" x 1" CARRIAGE BOLT
9	B0011325	3/8" STOVER LOCK NUT
10	B001149	3/8" FLATWASHER
11	C200792	GUIDE PIN
12	B001152	1/2" SAE FLATWASHER
13	B0020485	1/8" x 1" COTTER PIN
14	C200795	GUIDE ROLLER
15	C203517R	UPPER WINDGUARD MOUNT BASE - RIGHT
16	C203517L	UPPER WINDGUARD MOUNT BASE - LEFT
17	C200856	TRACK SLIDE
18	B394712	3" CABLE SHEAVE - 1/2" BORE
19	B001092	1/2" x 2 1/2" CARRIAGE BOLT
20	B001101	3/4" x 2 1/2" BOLT
21	B017255	BEARING - 6203-3/4-2RS
22	B001142	3/4" HEX NUT
23	B001172	3/4" LOCK WASHER
24	B030200	BRAKE WINCH - 1500 LBS.
25	C201244	WINCH PLATE
26	B0010835	3/8"x 1 1/4" CARRIAGE BOLT
27	B001025	3/8"x 1 1/4" BOLT
28	B001165	3/8" LOCK WASHER
29	B001131	3/8" HEX NUT
30	B018640	PVC BELT - 15" x 67'- 5" - LACED
30	B018639	RUBBER BELT - 15" x 67'- 5" - LACED
31	B021321	ALLIGATOR LACING - 15" c/w PIN
32	C200652	ALLIGATOR LACING PIN ONLY - 15"
33	B021921	PIN RETAINING WASHER
34	B018611	PVC BELT - 15" WIDE x 10' - LACED
34	B018612	RUBBER BELT - 15" WIDE x 10' - LACED
34	B018613	PVC BELT - 15" WIDE x 20' - LACED
34	B018614	RUBBER BELT - 15" WIDE x 20' - LACED

INTAKE ASSEMBLY - 1535 TOP DRIVE BELT CONVEYOR
SERIAL NOS. 72700 - 79499



REF #	PART #	DESCRIPTION
1	C202510	TOP DRIVE INTAKE WELDMENT
2	B021742L	SPRING, HOPPER, LEFT, 1/2" DIA
3	C200791	HOPPER RAIL
4	C203522R	TOP DRIVE HOPPER STRAP - RIGHT
5	B002225	1/4"x 1 1/2" ELEVATOR BOLT
6	B001124	1/4" LOCKNUT
7	C203522L	TOP DRIVE HOPPER STRAP - LEFT
8	B002091	HAIRPIN, .177" x 3 3/4"
9	C201227	HITCH - MALE
10	B0020315	L PIN, 3/4" x 4 1/8" w/HOLE
11	C201785	FLIP RESTRAINT
12	B001004	BOLT, 1/4" x 1 3/4" UNC GR5 PLT
13	C202511	BACK PLATE
14	C203109	TOP DRIVE INTAKE ROLLER
15	B002600	5/8"x 9" BOLT - FULL THREAD
16	B001153	5/8" FLATWASHER
17	B001082	3/8"x 1" CARRIAGE BOLT
18	C203103L	TRANSFER ADJUSTER - LEFT
19	B001132	3/8" LOCK NUT
20	B027546	MAIN REAR FLASHING - TOP DRIVE
21	C203103R	TRANSFER ADJUSTER - RIGHT
22	C203102	REAR HOPPER STRAP - TOP DRIVE
23	C200795	GUIDE ROLLER
24	B001040	BOLT, 1/2" x 1 1/4" UNC GR5 PLT
25	B021742R	SPRING, HOPPER, RIGHT, 1/2" DIA
26	B001152	1/2" SAE FLATWASHER
27	B001134	1/2" STOVER LOCKNUT
28	B021250	ROLLER - 1.9" OD x 18"
29	C200602	INTAKE GUARD
30	B001024	3/8" x 1" BOLT
31	B001025	3/8" x 1 1/4" BOLT
32	B001130	3/8" JAM NUT
33	B021422	TOP DRIVE HOPPER FABRIC - BLACK
34	B024081	1" ID x 90" LONG FLEXIBLE CONDUIT
35	C202512	SPRING HOLDER
36	B001425	1/4"x 3/4" SERRATED FLANGE BOLT

DISCHARGE ASSEMBLY - 1535 TOP DRIVE BELT CONVEYOR
SERIAL NOS. 72700 - 79499

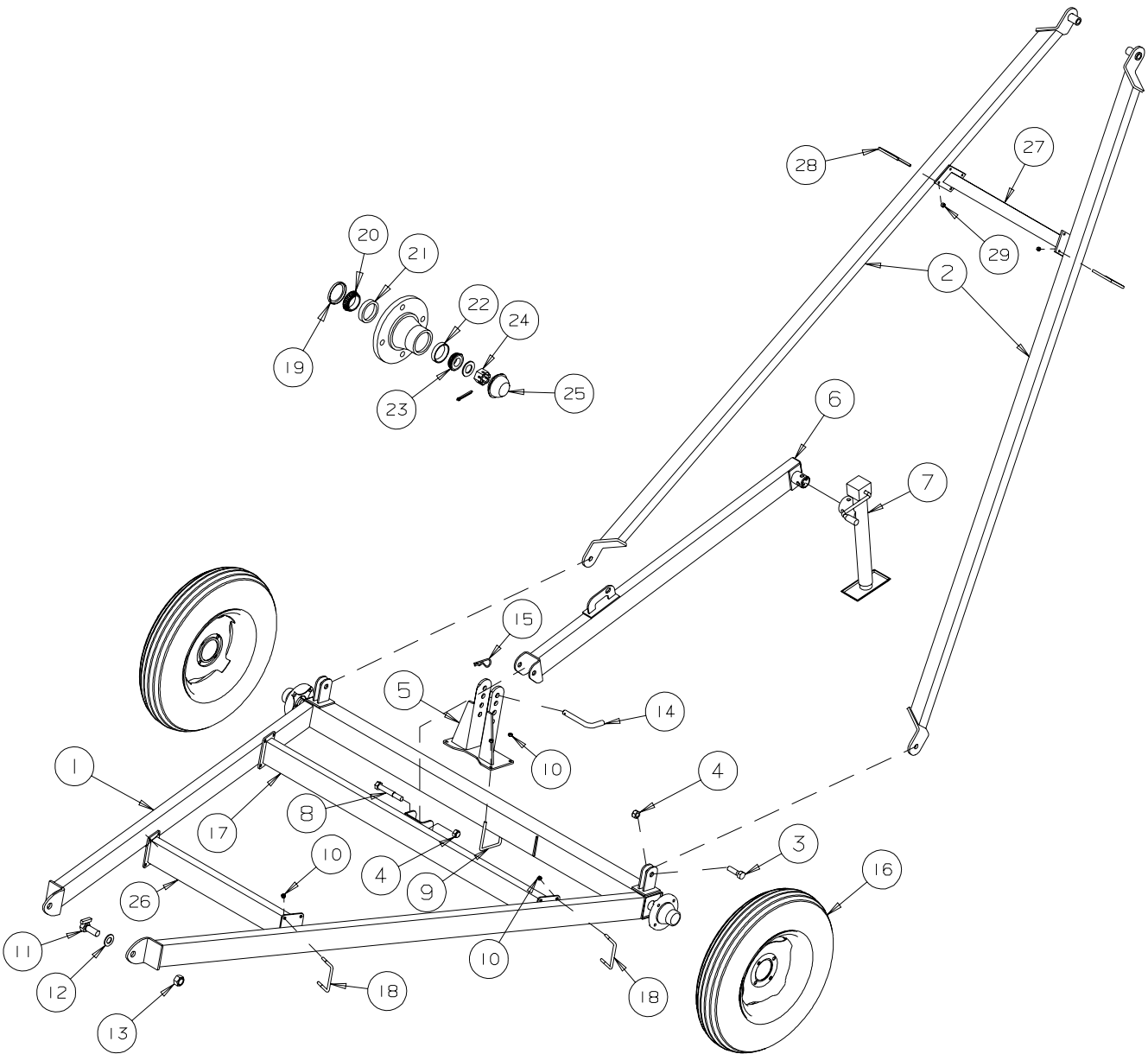


BCTDISPS

REF #	PART #	DESCRIPTION
1	C202502	TOP DRIVE DISCHARGE WELDMENT
2	C200609	BEARING PLATE
3	B017201	BEARING, 1 1/4" - 2 BOLT FLANGE INA
4	C202489	5" DIA LAGGED ROLLER - KEYED
5	C200605	DISCHARGE BOTTOM GUARD
6	B001088	1/2" x 1 1/2" CARRIAGE BOLT
7	B001134	1/2" STOVER LOCKNUT
8	B001091	1/2" x 3" CARRIAGE BOLT
9	B0011325	3/8" STOVER LOCKNUT
10	B001024	3/8" x 1" BOLT
11	C202633	TOP DRIVE DISCHARGE CAP
12	B021250	ROLLER, 1.9" OD x 18"
13	B001135	1/2" HEX NUT
14	C200615	SHAFT GUARD - 1.25"
15	B001124	1/4" LOCKNUT
16	B001147	1/4" FLATWASHER
17	B027547	TOP DRIVE DISCHARGE WIPER - 2 PLY RUBBER
18	B001003	1/4" x 1" BOLT
19	C200797	DISCHARGE HANDLE
20	B001024	3/8" x 1" BOLT
21	C200641	TRANSFER HANDLE
22	B027600	DISCHARGE SPOUT, 10" TUBE
23	B001149	3/8" FLATWASHER

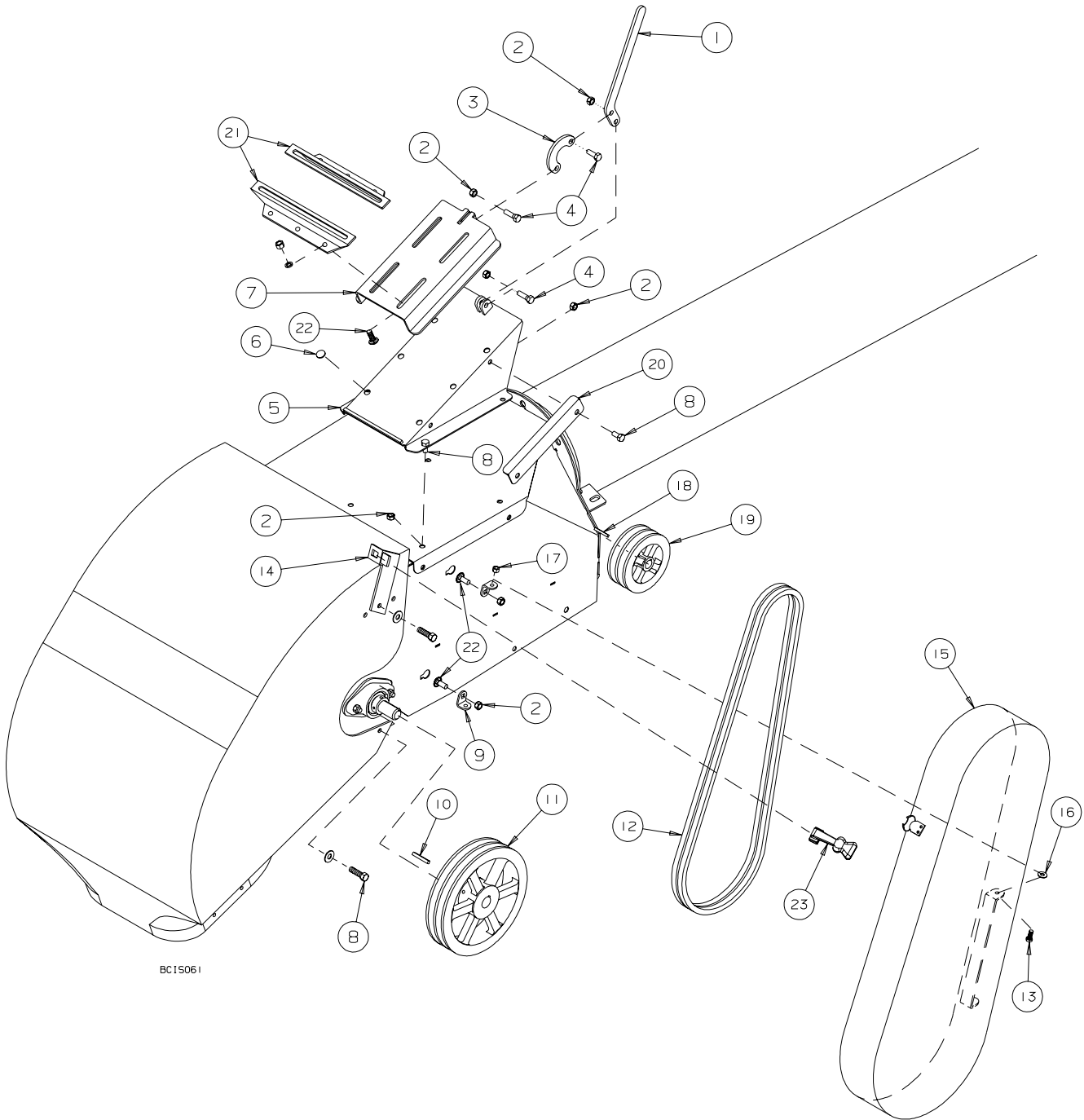
UNDERCARRIAGE ASSEMBLY - 1535 TOP DRIVE BELT CONVEYOR

SERIAL NOS. 72700 - 79499



REF #	PART #	DESCRIPTION
1	C200868	45' AXLE FRAME WELDMENT
2	C200860	45' A-FRAME ARM
3	B001101	3/4"x 2 1/2" BOLT
4	B001154	3/4" STOVER LOCK NUT
5	C200955	WEIGHT TRANSFER PIVOT
6	C200957	WEIGHT TRANSFER ARM
7	B030520	IMPLEMENT JACK - 2000 LBS. - 15" SIDE WIND
8	B001110	3/4"x 5" BOLT
9	B002016	3/8"x 4" U-BOLT x 5 5/8" LG.
10	B0011325	3/8" STOVER LOCK NUT
11	C200666	SUSPENSION BOLT
12	B001159	1" FLAT WASHER
13	B001075	1" STOVER LOCK NUT
14	C201241	WEIGHT TRANSFER PIN
15	B002091	.177"x 3 3/4" HAIR PIN CLIP
16	B011205	15" TIRE & RIM ASSEMBLY
17	C201248	45' WEIGHT CROSS
18	B0020162	3/8"x 4" U-BOLT x 3" LG
19	B011604	GREASE SEAL - 411 HUB
20	B011603	INNER BEARING - LM67048
21	B011602	INNER CUP - LM67010
22	B011600	OUTER CUP - LM11910
23	B011601	OUTER BEARING - LM11949
24	B011677	3/4" CASTLE NUT
25	B011500	DUST CAP - 411 HUB
26	C201255	45' AXLE FRAME CROSS BRACE
27	C201258	45' A-FRAME CROSS BRACE
28	B002011	5/16" x 2 1/2" SQ. U-BOLT
29	B0011275	5/16" STOVER LOCK NUT

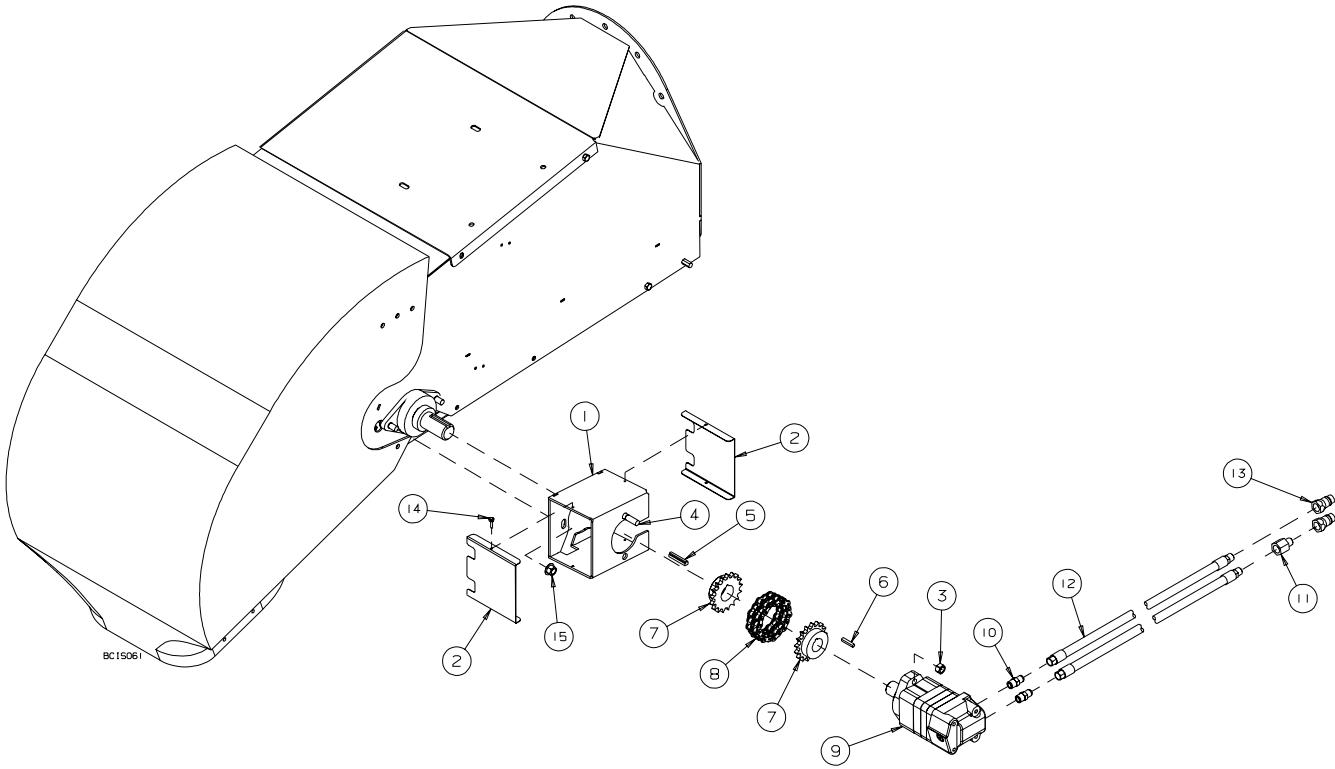
ELECTRIC MOTOR DRIVE KIT - 1535 TOP DRIVE BELT CONVEYOR
SERIAL NOS. 72700 - 79499



BC15061

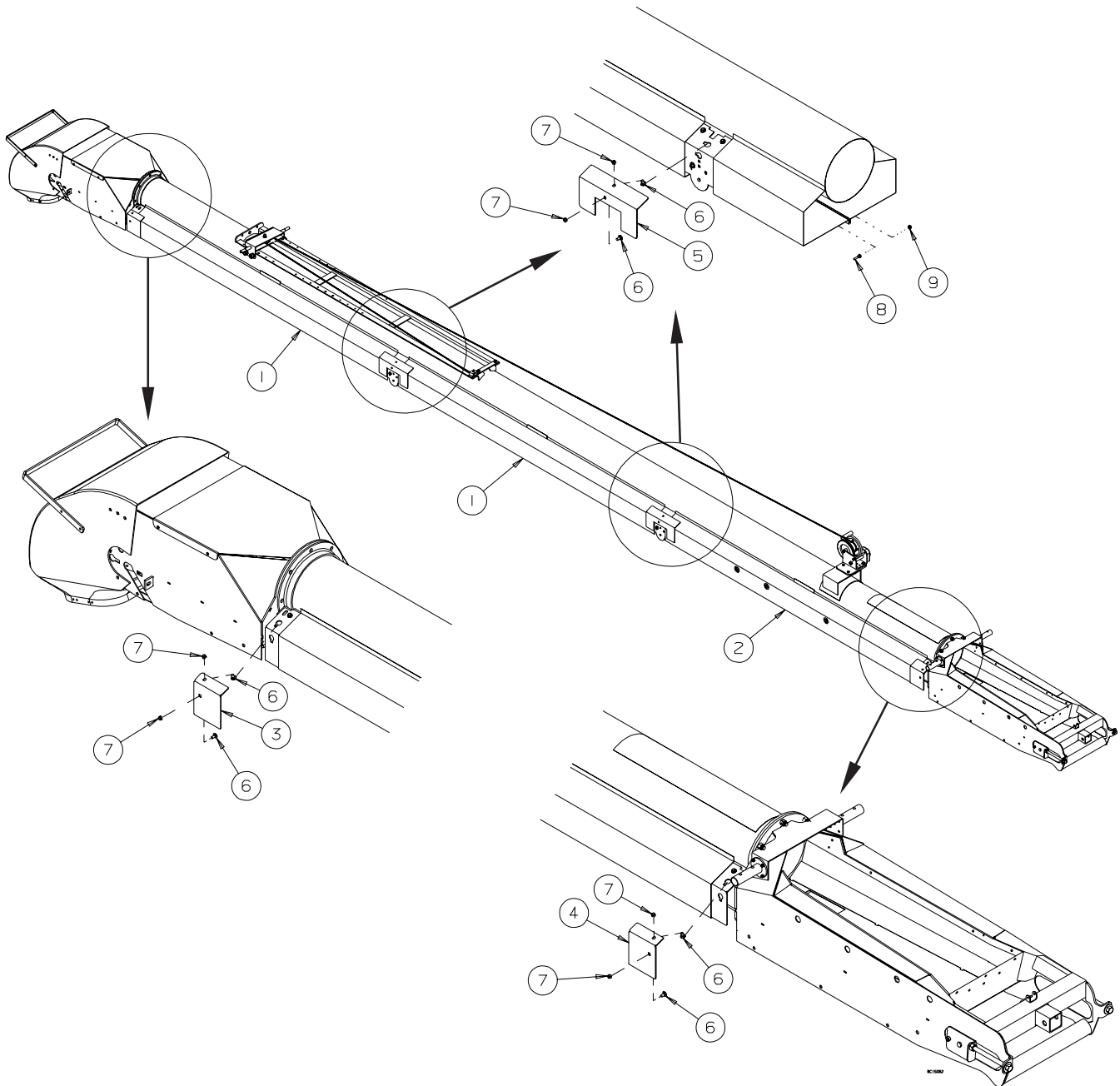
REF #	PART NO.	DESCRIPTION
1	C200659	Tension Handle
2	B0011325	3/8" Stover Lock Nut
3	C200657	Motor Link
4	B001025	3/8"x 1 1/4" Bolt
5	C200658	Motor Mount
6	B027500	Plastic Wear Bushing
7	C200656	Motor Base
8	B001023	3/8"x 3/4" Bolt
9	C202311	Bent Hinge
10	B689169	1/4" Key x 1 1/2" Long
11	B0181208	2B Pulley - 11.75" OD x 1 1/4" Bore
12	B018049	B-70 Belt
13	B001003	1/4"x 1" Bolt
14	C202312	Latch Plate
15	C202308	Transfer Belt Shield Assembly
16	B001147	1/4" Flatwasher
17	B001124	1/4" Lock Nut
18	B194012	5/16" Key x 1 1/2"
19	B0180312	2B Pulley - 3.95" OD x 1 3/8" Bore
20	C200655	Motor Rail
21	B695298	Motor Mount Bracket
22	B001082	3/8"x 1" Carriage Bolt
23	B0219992	Rubber Latch
NS	B021607	Double Tubing Clamp

HYDRAULIC DRIVE KIT - 1535 TOP DRIVE BELT CONVEYOR
SERIAL NOS. 72700 - 79499



REF #	PART NO.	DESCRIPTION
1	C203104	Top Drive Hydraulic Motor Mount
2	C203105	Top Drive Hydraulic Motor Guard
3	B001134	1/2" Stover Lock Nut
4	B001043	1/2"x 1 3/4" Bolt
5	C200952	Offset Key - 1/4" - 5/16" x 1 1/4" lg.
6	B689169	1/4" Key x 1 1/2" Long
7	B009409	50 x 17 Sprocket - 1 1/4" Bore
8	B009601	R50-2 Roller Chain
9	B019047	Hydraulic Motor - 8.0 cu.in./ rev
10	B0194345	#10 MORB x #10 MJIC Adapter Fitting
11	B019537	1/2" MPT x 1/2" FPT Check Valve
12	B0191475	3/4" Hydraulic Hose x 37' Long - 1/2" MPT x #10 FJIC
13	B019200	1/2" FPT Pioneer Male Tips
14	B002035	#14 x 3/4" TEK Screw
15	B0011365	1/2" Flange Lock Nut
NS	B021607	Double Tubing Clamp

WIND GUARDS - 1535 TOP DRIVE BELT CONVEYOR
SERIAL NOS. 72700 - 79499



REF #	PART NO.	DESCRIPTION
1	C203909	35' Common Wind Guard
2	C203495L	35' Lower Wing Guard - Left
NS	C203495R	35' Lower Wing Guard - Right
3	C203519R	Upper & Lower Wing Guard Mount- Right
4	C203519L	Upper & Lower Wing Guard Mount- Left
5	C203516	Wind Guard Mount
6	B001082	3/8" x 1" Carriage Bolt
7	B0011325	3/8" Stover Lock Nut
8	B001001	1/4" x 1/2" Bolt
9	B001124	1/4" Lock Nut