

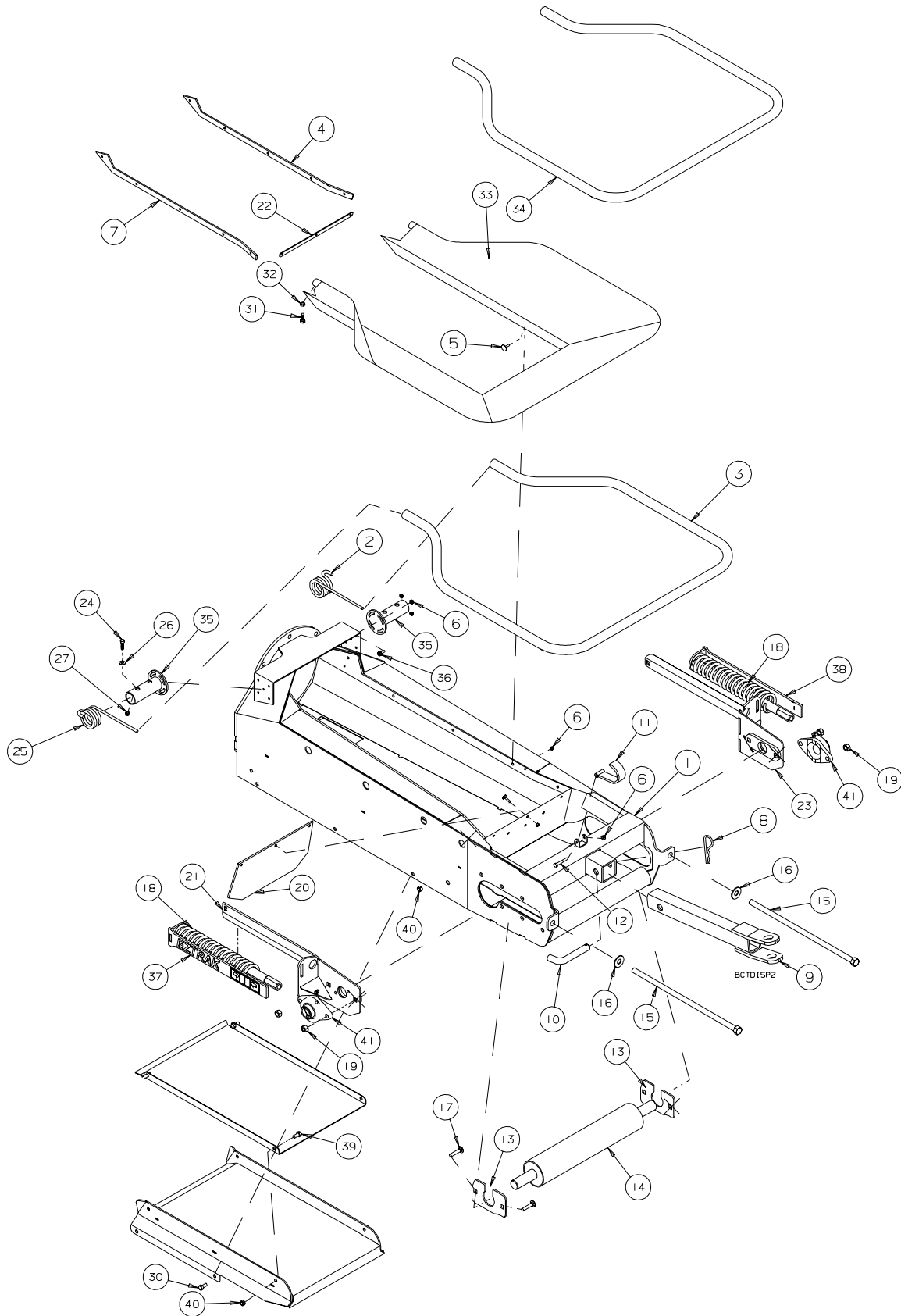
***1535 TOP DRIVE GRAINBELT
CONVEYOR***

PARTS LIST

SERIAL NOS. 106000 - 111599

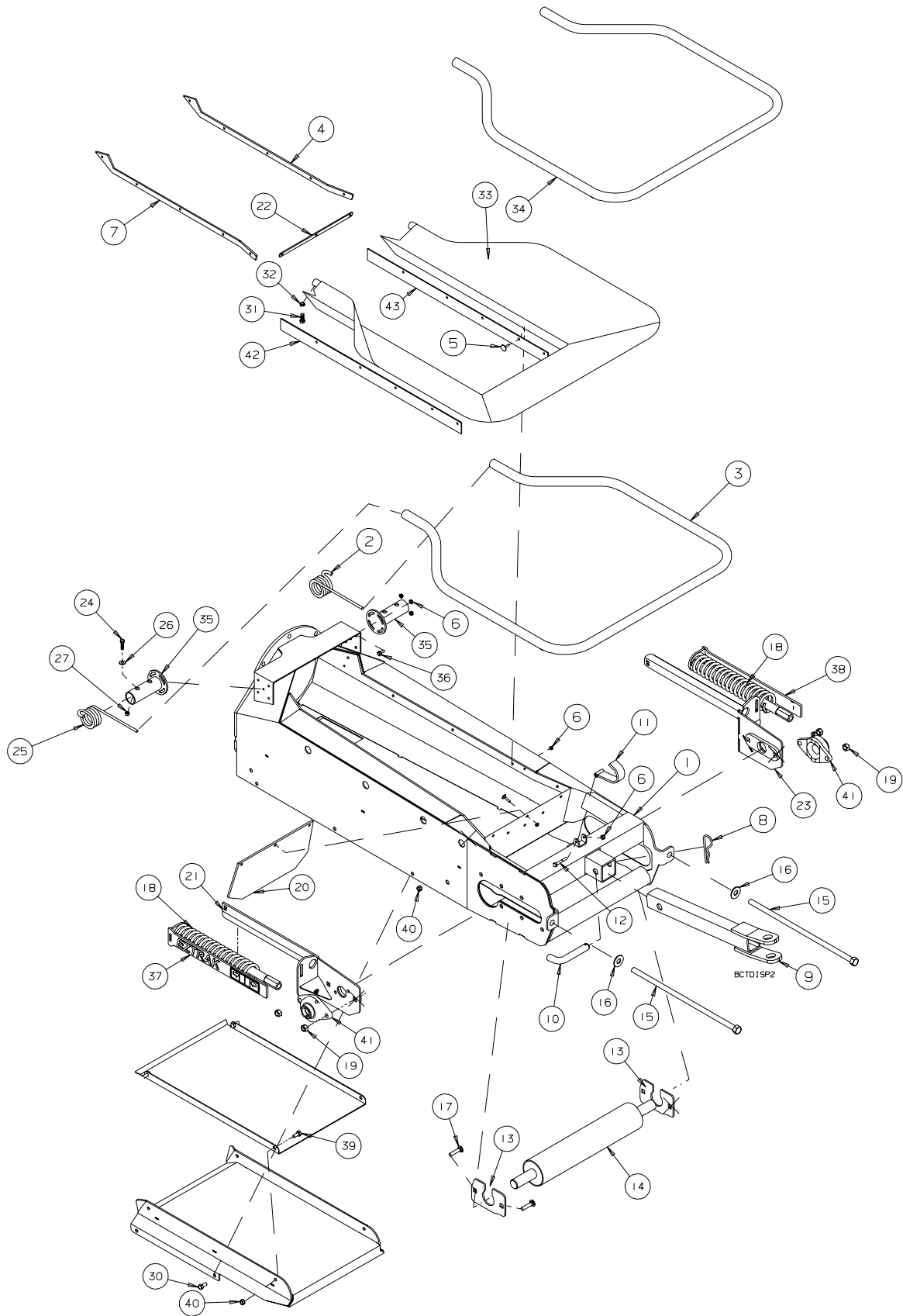
| REF # | PART # | DESCRIPTION |
|-------|----------|--------------------------------------|
| 1 | C203100A | 35' TOP DRIVE TUBE ASSEMBLY |
| 2 | C213106 | TRANSPORT STOP |
| 3 | B0010401 | 1/2"x 1 1/4" BOLT |
| 4 | B001134 | 1/2" STOVER LOCK NUT |
| 5 | B008391 | WINCH CABLE - 1/4" x 34' |
| 6 | C211964 | TRACK UP STOP |
| 7 | C203518 | LARGE ROLLER BRACKET |
| 8 | B001082 | 3/8" x 1" CARRIAGE BOLT |
| 9 | B0011325 | 3/8" STOVER LOCK NUT |
| 10 | B001149 | 3/8" FLATWASHER |
| 11 | B021250 | 1.9" OD x 18" ROLLER |
| 12 | C203517R | UPPER WINDGUARD MOUNT BASE - RIGHT |
| 13 | C203517L | UPPER WINDGUARD MOUNT BASE - LEFT |
| 14 | C211856 | TRACK SLIDE |
| 15 | B008099 | 2.5" CABLE SHEAVE - 3/4" BORE |
| 16 | C2110158 | PIN, 5/8"OD x 1 1/4" LG |
| 17 | B001101 | 3/4" x 2 1/2" BOLT |
| 18 | B017255 | BEARING - 6203-3/4-2RS |
| 19 | B001142 | 3/4" HEX NUT |
| 20 | B001172 | 3/4" LOCK WASHER |
| 21 | B030200 | BRAKE WINCH - 1500 LBS. |
| 22 | C201244 | WINCH PLATE |
| 23 | B0010835 | 3/8"x 1 1/4" CARRIAGE BOLT |
| 24 | B001025 | 3/8"x 1 1/4" BOLT |
| 25 | B001165 | 3/8" LOCK WASHER |
| 26 | B001131 | 3/8" HEX NUT |
| 27 | B018639 | RUBBER BELT - 15" x 67'- 5" - LACED |
| 28 | B021321 | ALLIGATOR LACING - 15" c/w PIN |
| 29 | C204584 | 15" LACING PIN KIT |
| 30 | B018612 | RUBBER BELT - 15" WIDE x 10' - LACED |
| 30 | B018614 | RUBBER BELT - 15" WIDE x 20' - LACED |
| 31 | B001002 | 1/4" x 1/2" BOLT |
| 32 | B0011246 | 1/4" LOCKING FLANGE NUT |
| 33 | B017753 | BUSHING, POLYMER, 5/8" ID |
| 34 | B001046 | 1/2" x 2 1/2" BOLT |

INTAKE ASSEMBLY - HIGH CAPACITY 1535 TOP DRIVE BELT CONVEYOR
SERIAL NOS. 106000 - 111599



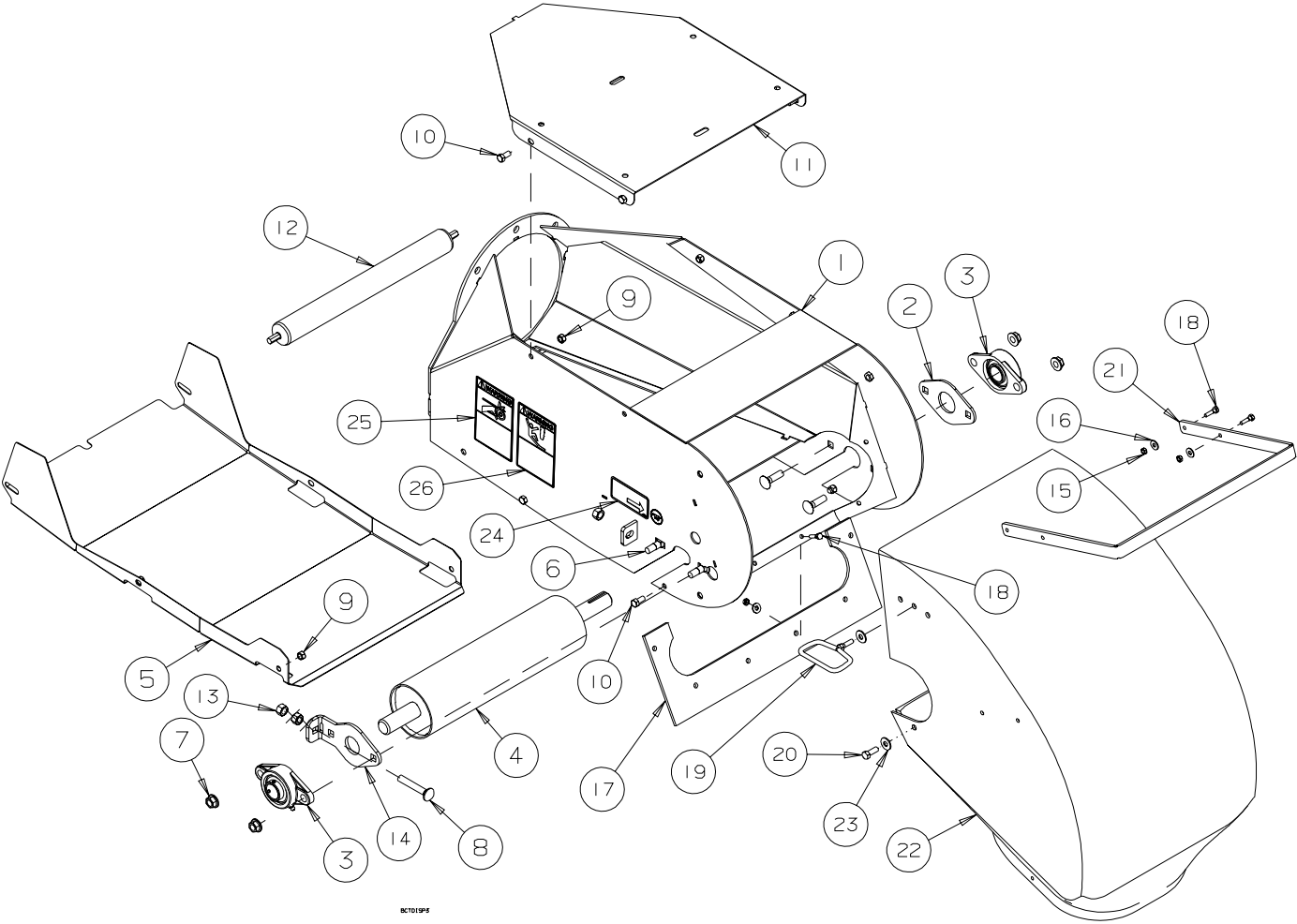
| REF # | PART # | DESCRIPTION |
|-------|-----------|---------------------------------------|
| 1 | C205510 | TOP DRIVE INTAKE WELDMENT |
| 2 | B021742L | SPRING, HOPPER, LEFT, 1/2" DIA |
| 3 | C200791 | HOPPER RAIL |
| 4 | C203522R | TOP DRIVE HOPPER STRAP - RIGHT |
| 5 | B002225 | 1/4"x 1 1/2" ELEVATOR BOLT |
| 6 | B001124 | 1/4" LOCKNUT |
| 7 | C203522L | TOP DRIVE HOPPER STRAP - LEFT |
| 8 | B002091 | HAIRPIN, .177" x 3 3/4" |
| 9 | C201227 | HITCH - MALE |
| 10 | B0020315 | L PIN, 3/4" x 4 1/8" w/HOLE |
| 11 | C201785 | FLIP RESTRAINT |
| 12 | B001004 | BOLT, 1/4" x 1 3/4" UNC GR5 PLT |
| 13 | C2060004 | BACK PLATE |
| 14 | C200708 | ROLLER - 3 1/2" x 16 1/2" |
| 15 | B0026017 | 5/8"x 16" BOLT - FULL THREAD |
| 16 | B001153 | 5/8" FLATWASHER |
| 17 | B001082 | 3/8"x 1" CARRIAGE BOLT |
| 18 | B0210731 | SPRING - 2 1/2" OD x 16" x .343" WIRE |
| 19 | B001132 | 3/8" LOCK NUT |
| 20 | B027546 | MAIN REAR FLASHING - TOP DRIVE |
| 21 | C206750L | LEFT TENSIONER MOUNT |
| 22 | C203102 | REAR HOPPER STRAP - TOP DRIVE |
| 23 | C206750R | RIGHT TENSIONER MOUNT |
| 24 | B001040 | BOLT, 1/2" x 1 1/4" UNC GR5 PLT |
| 25 | B021742R | SPRING, HOPPER, RIGHT, 1/2" DIA |
| 26 | B001152 | 1/2" SAE FLATWASHER |
| 27 | B001134 | 1/2" STOVER LOCKNUT |
| 28 | C205149 | UPPER INTAKE BELT GUIDE |
| 29 | C205143 | LOWER INTAKE BELT GUIDE |
| 30 | B001024 | 3/8" x 1" BOLT |
| 31 | B001025 | 3/8" x 1 1/4" BOLT |
| 32 | B001130 | 3/8" JAM NUT |
| 33 | B021422 | TOP DRIVE HOPPER FABRIC - BLACK |
| 34 | B024081 | 1" ID x 90" LONG FLEXIBLE CONDUIT |
| 35 | C202512 | SPRING HOLDER |
| 36 | B001425 | 1/4"x 3/4" SERRATED FLANGE BOLT |
| 37 | C205596LA | LEFT SPRING TENSION ASSEMBLY |
| 38 | C205596RA | RIGHT SPRING TENSION ASSEMBLY |
| 39 | B001023 | 3/8" x 3/4" BOLT |
| 40 | B0011326 | 3/8" FLANGE LOCK NUT |
| 41 | B017267 | BEARING - 1 1/4" - 2 BOLT FLANGE |

INTAKE ASSEMBLY - REDUCED CAPACITY 1535 TD BELT CONVEYOR
SERIAL NOS. 106000 - 111599



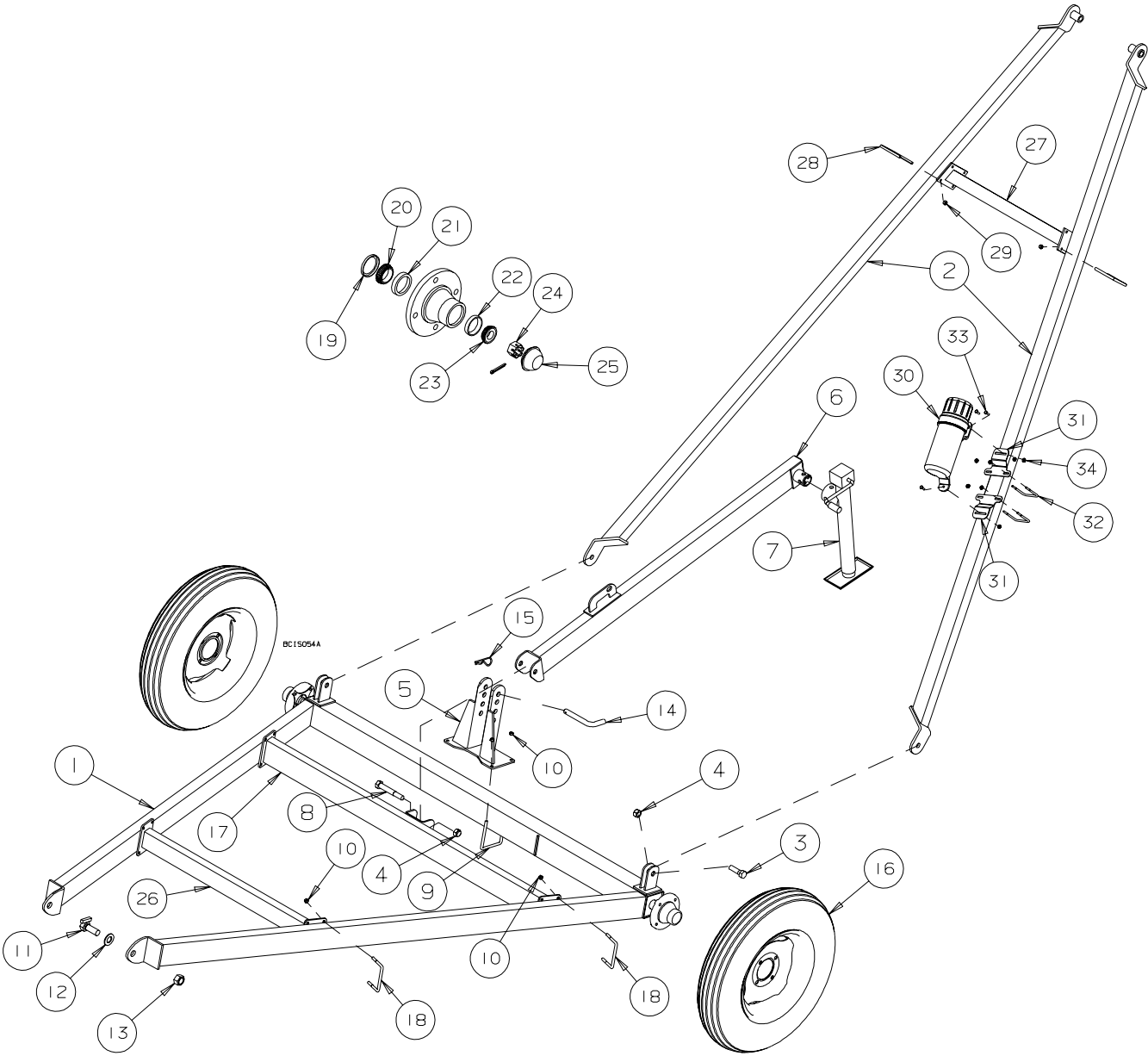
| REF # | PART # | DESCRIPTION |
|-------|-----------|---------------------------------------|
| 1 | C205510 | TOP DRIVE INTAKE WELDMENT |
| 2 | B021742L | SPRING, HOPPER, LEFT, 1/2" DIA |
| 3 | C200791 | HOPPER RAIL |
| 4 | C203522R | TOP DRIVE HOPPER STRAP - RIGHT |
| 5 | B002225 | 1/4"x 1 1/2" ELEVATOR BOLT |
| 6 | B001124 | 1/4" LOCKNUT |
| 7 | C203522L | TOP DRIVE HOPPER STRAP - LEFT |
| 8 | B002091 | HAIRPIN, .177" x 3 3/4" |
| 9 | C201227 | HITCH - MALE |
| 10 | B0020315 | L PIN, 3/4" x 4 1/8" w/HOLE |
| 11 | C201785 | FLIP RESTRAINT |
| 12 | B001004 | BOLT, 1/4" x 1 3/4" UNC GR5 PLT |
| 13 | C2060004 | BACK PLATE |
| 14 | C200708 | ROLLER - 3 1/2" x 16 1/2" |
| 15 | B0026017 | 5/8"x 16" BOLT - FULL THREAD |
| 16 | B001153 | 5/8" FLATWASHER |
| 17 | B001082 | 3/8"x 1" CARRIAGE BOLT |
| 18 | B0210731 | SPRING - 2 1/2" OD x 16" x .343" WIRE |
| 19 | B001132 | 3/8" LOCK NUT |
| 20 | B027546 | MAIN REAR FLASHING - TOP DRIVE |
| 21 | C206750L | LEFT TENSIONER MOUNT |
| 22 | C203102 | REAR HOPPER STRAP - TOP DRIVE |
| 23 | C206750R | RIGHT TENSIONER MOUNT |
| 24 | B001040 | BOLT, 1/2" x 1 1/4" UNC GR5 PLT |
| 25 | B021742R | SPRING, HOPPER, RIGHT, 1/2" DIA |
| 26 | B001152 | 1/2" SAE FLATWASHER |
| 27 | B001134 | 1/2" STOVER LOCKNUT |
| 28 | C205149 | UPPER INTAKE BELT GUIDE |
| 29 | C205143 | LOWER INTAKE BELT GUIDE |
| 30 | B001024 | 3/8" x 1" BOLT |
| 31 | B001025 | 3/8" x 1 1/4" BOLT |
| 32 | B001130 | 3/8" JAM NUT |
| 33 | B021422 | TOP DRIVE HOPPER FABRIC - BLACK |
| 34 | B024081 | 1" ID x 90" LONG FLEXIBLE CONDUIT |
| 35 | C202512 | SPRING HOLDER |
| 36 | B001425 | 1/4"x 3/4" SERRATED FLANGE BOLT |
| 37 | C205596LA | LEFT SPRING TENSION ASSEMBLY |
| 38 | C205596RA | RIGHT SPRING TENSION ASSEMBLY |
| 39 | B001023 | 3/8" x 3/4" BOLT |
| 40 | B0011326 | 3/8" FLANGE LOCK NUT |
| 41 | B017267 | BEARING - 1 1/4" - 2 BOLT FLANGE |
| 42 | B027548L | INTAKE FLASHING - LEFT |
| 43 | B027548R | INTAKE FLASHING - RIGHT |

DISCHARGE ASSEMBLY - 1535 TOP DRIVE BELT CONVEYOR
SERIAL NOS. 106000 - 111599



| REF # | PART # | DESCRIPTION |
|-------|----------|--|
| 1 | C202502 | TOP DRIVE DISCHARGE WELDMENT |
| 2 | C200609 | BEARING PLATE |
| 3 | B017267 | BEARING, 1 1/4" - 2 BOLT FLANGE |
| 4 | C202489 | 5" DIA LAGGED ROLLER - KEYED |
| 5 | C200605 | DISCHARGE BOTTOM GUARD |
| 6 | B0010885 | 1/2" x 1 1/2" CARRIAGE BOLT - SHORT NECK |
| 7 | B001409 | 1/2" SERRATED FLANGE NUT |
| 8 | B001091 | 1/2" x 3" CARRIAGE BOLT |
| 9 | B0011325 | 3/8" STOVER LOCKNUT |
| 10 | B001024 | 3/8" x 1" BOLT |
| 11 | C200633 | TOP DRIVE DISCHARGE CAP |
| 12 | B021250 | ROLLER, 1.9" OD x 18" |
| 13 | B001135 | 1/2" HEX NUT |
| 14 | C200615 | SHAFT GUARD - 1.25" |
| 15 | B001124 | 1/4" LOCKNUT |
| 16 | B001147 | 1/4" FLATWASHER |
| 17 | B027547 | TOP DRIVE DISCHARGE WIPER - 2 PLY RUBBER |
| 18 | B001003 | 1/4" x 1" BOLT |
| 19 | C200797 | DISCHARGE HANDLE |
| 20 | B001024 | 3/8" x 1" BOLT |
| 21 | C200641 | TRANSFER HANDLE |
| 22 | B027600 | DISCHARGE SPOUT, 10" TUBE |
| 23 | B001149 | 3/8" FLATWASHER |
| 24 | B029450 | RIGHT TRACKING DECAL |
| 25 | B029966 | CONVEYOR DISCHARGE DECAL |
| 26 | B029967 | DOWNSPOUT WARNING DECAL |

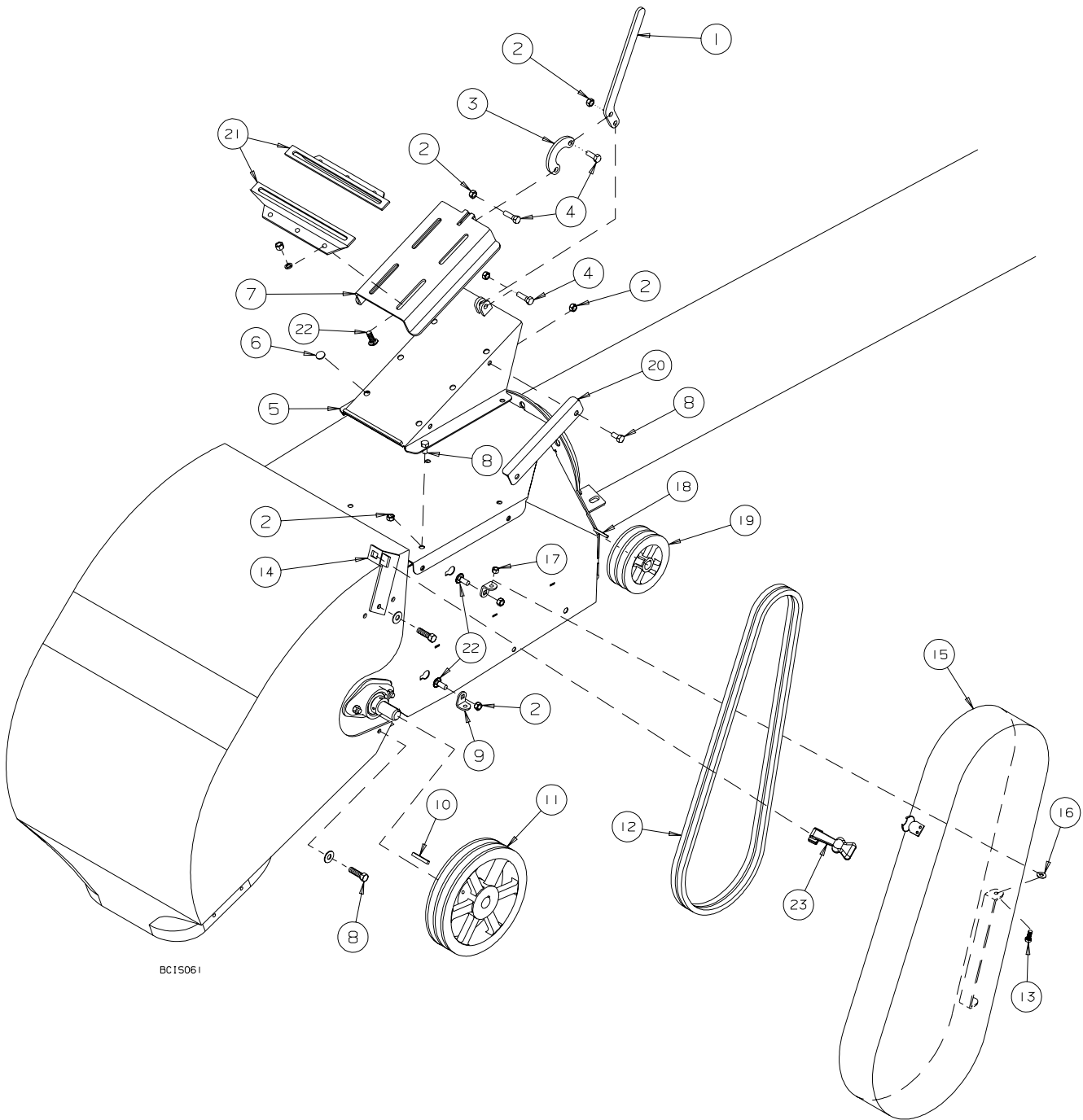
UNDERCARRIAGE ASSEMBLY - 1535 TOP DRIVE BELT CONVEYOR
SERIAL NOS. 106000 - 111599



| REF # | PART # | DESCRIPTION |
|-------|----------|--|
| 1 | C200868 | 45' AXLE FRAME WELDMENT |
| 2 | C200860 | 45' A-FRAME ARM |
| 3 | B001101 | 3/4"x 2 1/2" BOLT |
| 4 | B001154 | 3/4" STOVER LOCK NUT |
| *5 | C200955 | WEIGHT TRANSFER PIVOT |
| *6 | C200957 | WEIGHT TRANSFER ARM |
| *7 | B030520 | IMPLEMENT JACK - 2000 LBS. - 15" SIDE WIND |
| *8 | B001110 | 3/4"x 5" BOLT |
| *9 | B002016 | 3/8"x 4" U-BOLT x 5 5/8" LG. |
| 10 | B0011325 | 3/8" STOVER LOCK NUT |
| 11 | C203134 | SUSPENSION BOLT |
| 12 | B001159 | 1" FLAT WASHER |
| 13 | B001075 | 1" STOVER LOCK NUT |
| *14 | C201241 | WEIGHT TRANSFER PIN |
| *15 | B002091 | .177"x 3 3/4" HAIR PIN CLIP |
| 16 | B011205 | 15" TIRE & RIM ASSEMBLY |
| *17 | C201248 | 45' WEIGHT CROSS |
| 18 | B0020162 | 3/8"x 4" U-BOLT x 3" LG |
| 19 | B011604 | GREASE SEAL - 411 HUB |
| 20 | B011603 | INNER BEARING - LM67048 |
| 21 | B011602 | INNER CUP - LM67010 |
| 22 | B011600 | OUTER CUP - LM11910 |
| 23 | B011601 | OUTER BEARING - LM11949 |
| 24 | B011677 | 3/4" CASTLE NUT |
| 25 | B011500 | DUST CAP - 411 HUB |
| 26 | C201255 | 45' AXLE FRAME CROSS BRACE |
| 27 | C201258 | 45' A-FRAME CROSS BRACE |
| 28 | B002011 | 5/16" x 2 1/2" SQ. U-BOLT |
| 29 | B0011275 | 5/16" STOVER LOCK NUT |
| 30 | B0275102 | ROUND MANUAL HOLDER |
| 31 | C314500 | MANUAL HOLDER BRACKET |
| 32 | B0020108 | 1/4" x 2 1/2" SQ. U-BOLT |
| 33 | B001002 | 1/4"x 3/4" BOLT |
| 34 | B0011246 | 1/4" FLANGE LOCK NUT |

* These parts are only used on the High Capacity model.

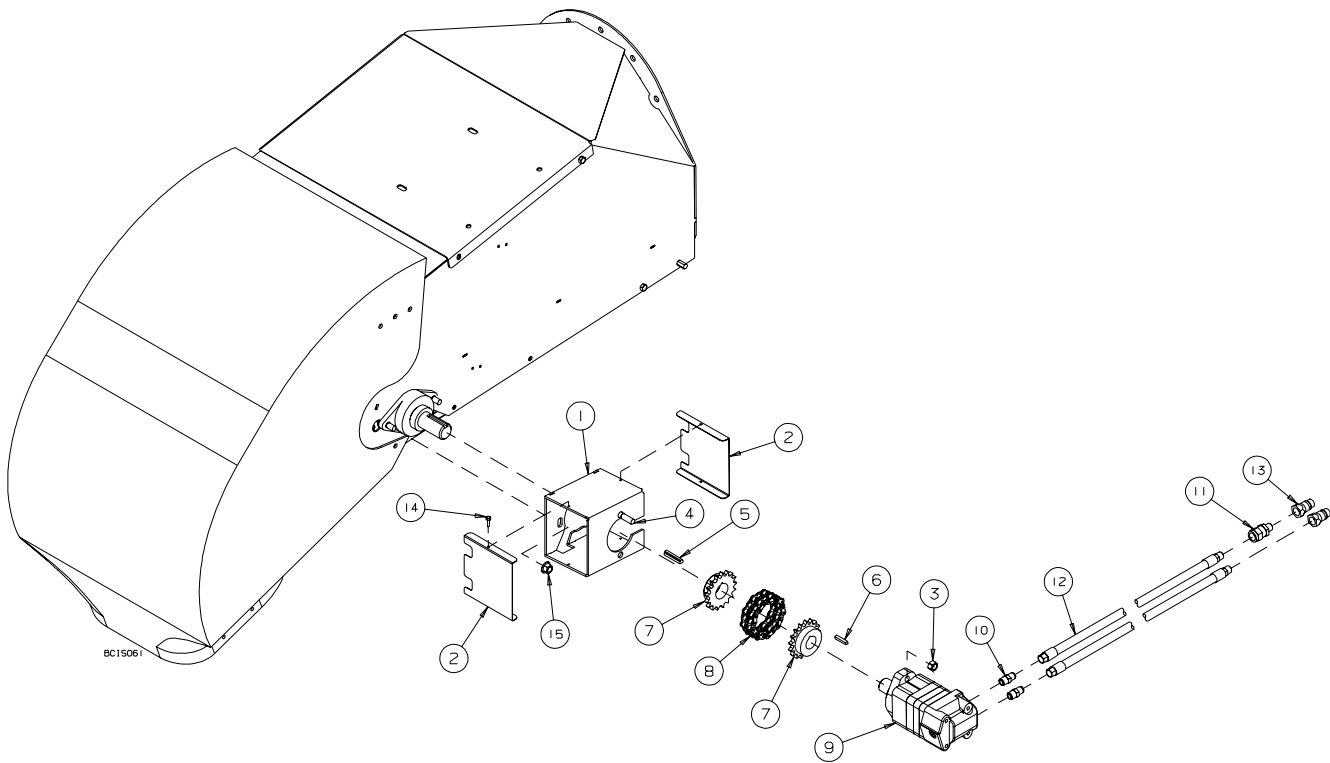
ELECTRIC MOTOR DRIVE KIT - HIGH CAPACITY 1535 TOP DRIVE BELT CONVEYOR
SERIAL NOS. 106000 - 111599



| REF # | PART NO. | DESCRIPTION |
|-------|----------|-------------------------------------|
| 1 | C200659 | Tension Handle |
| 2 | B0011325 | 3/8" Stover Lock Nut |
| 3 | C200657 | Motor Link |
| 4 | B001025 | 3/8"x 1 1/4" Bolt |
| 5 | C200658 | Motor Mount |
| 6 | B027500 | Plastic Wear Bushing |
| 7 | C200656 | Motor Base |
| 8 | B001023 | 3/8"x 3/4" Bolt |
| 9 | C202311 | Bent Hinge |
| 10 | B689169 | 1/4" Key x 1 1/2" Long |
| 11 | B0181208 | 2B Pulley - 11.75" OD x 1 1/4" Bore |
| 12 | B018049 | B-70 Belt |
| 13 | B001003 | 1/4"x 1" Bolt |
| 14 | C202312 | Latch Plate |
| 15 | C202308 | Transfer Belt Shield Assembly |
| 16 | B001147 | 1/4" Flatwasher |
| 17 | B001124 | 1/4" Lock Nut |
| 18 | B194012 | 5/16" Key x 1 1/2" |
| 19 | B0180312 | 2B Pulley - 3.95" OD x 1 3/8" Bore |
| 20 | C200655 | Motor Rail |
| 21 | B695298 | Motor Mount Bracket |
| 22 | B001082 | 3/8"x 1" Carriage Bolt |
| 23 | B0219992 | Rubber Latch |
| NS | B021607 | Double Tubing Clamp |

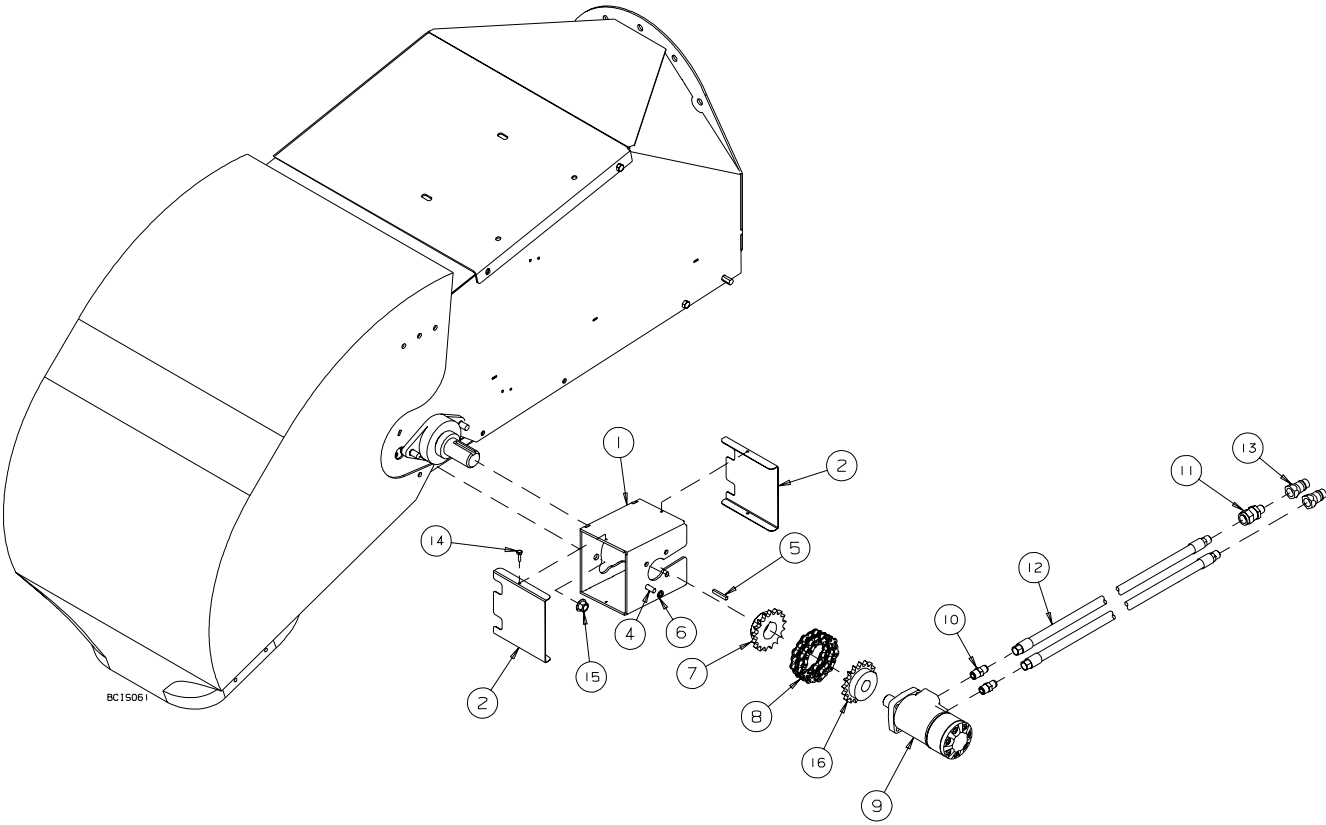
| REF # | PART NO. | DESCRIPTION |
|-------|----------|-------------------------------------|
| 1 | C200659 | Tension Handle |
| 2 | B0011325 | 3/8" Stover Lock Nut |
| 3 | C200657 | Motor Link |
| 4 | B001025 | 3/8"x 1 1/4" Bolt |
| 5 | C200658 | Motor Mount |
| 6 | B027500 | Plastic Wear Bushing |
| 7 | C200656 | Motor Base |
| 8 | B001023 | 3/8"x 3/4" Bolt |
| 9 | C203118 | Guard Back |
| 10 | B689169 | 1/4" Key x 1 1/2" Long |
| 11 | B0181209 | 2B Pulley - 18.75" OD x 1 1/4" Bore |
| 12 | B018075 | B-82 Belt |
| 13 | B001003 | 1/4"x 1" Bolt |
| 14 | C203122 | Guard Latch |
| 15 | C203119 | Belt Shield Assembly |
| 16 | B001147 | 1/4" Flatwasher |
| 17 | B001124 | 1/4" Lock Nut |
| 18 | B689169 | 1/4" Key x 1 1/2" |
| 19 | B0180313 | 2B Pulley - 3.35" OD x 1 1/8" Bore |
| 20 | C200655 | Motor Rail |
| 21 | B695298 | Motor Mount Bracket |
| 22 | B0010819 | 3/8"x 3/4" Carriage Bolt |
| 23 | B0219992 | Rubber Latch |
| NS | B021607 | Double Tubing Clamp |

HYDRAULIC DRIVE KIT - HIGH CAPACITY 1535 TOP DRIVE BELT CONVEYOR
SERIAL NOS. 106000 - 111599



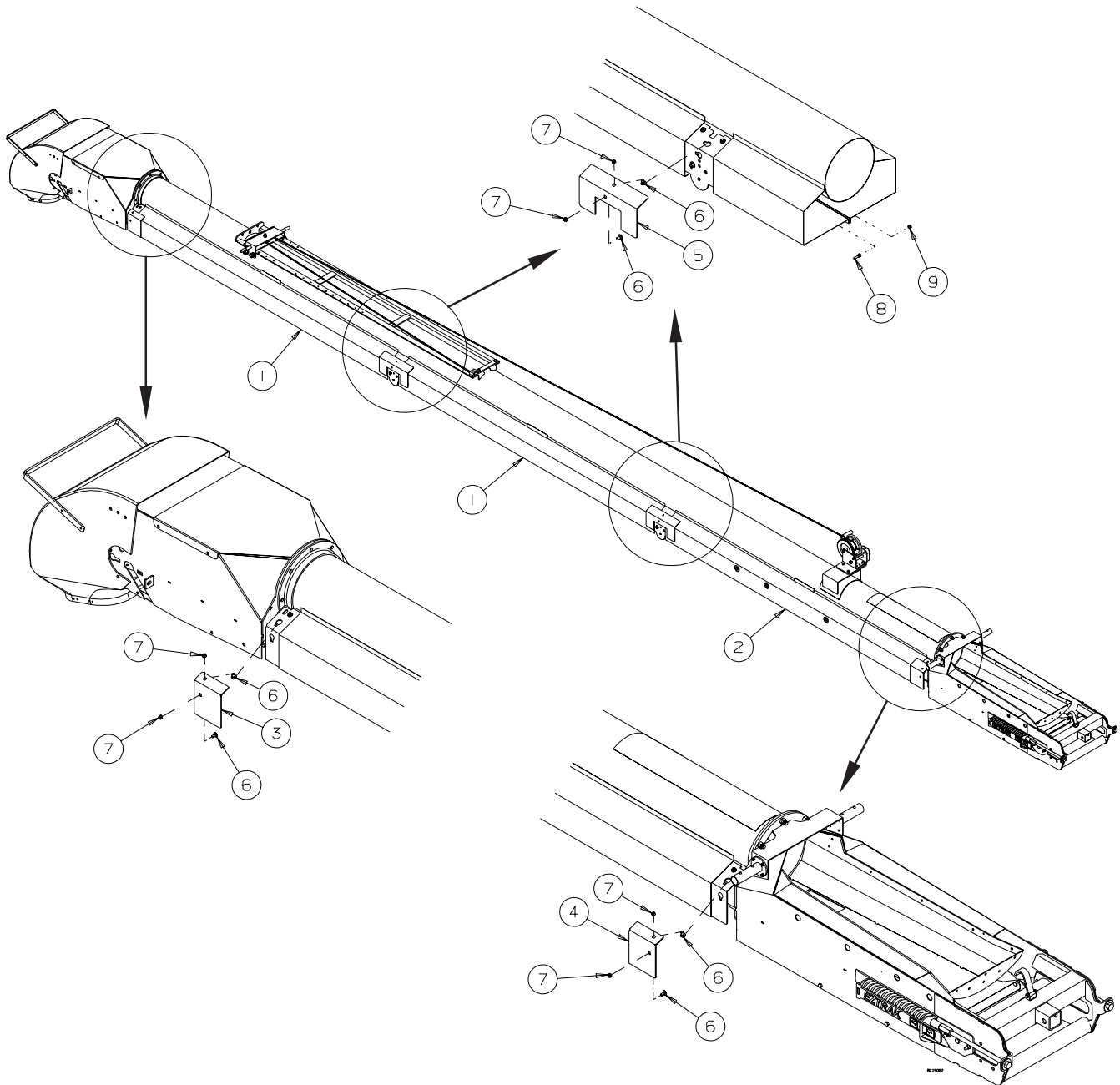
| REF # | PART NO. | DESCRIPTION |
|-------|----------|--|
| 1 | C203104 | Top Drive Hydraulic Motor Mount |
| 2 | C203105 | Top Drive Hydraulic Motor Guard |
| 3 | B001134 | 1/2" Stover Lock Nut |
| 4 | B001043 | 1/2"x 1 3/4" Bolt |
| 5 | C200952 | Offset Key - 1/4" - 5/16" x 1 1/4" lg. |
| 6 | B689169 | 1/4" Key x 1 1/2" Long |
| 7 | B009409 | 50 x 17 Sprocket - 1 1/4" Bore |
| 8 | B009601 | R50-2 Roller Chain |
| 9 | B019047 | Hydraulic Motor - 8.0 cu.in./ rev |
| 10 | B0194345 | #10 MORB x #10 MJIC Adapter Fitting |
| 11 | B019537 | 1/2" MPT x 1/2" FPT Check Valve |
| 12 | B0191475 | 3/4" Hydraulic Hose x 37' Long - 1/2" MPT x #10 FJIC |
| 13 | B019200 | 1/2" FPT Pioneer Male Tips |
| 14 | B002035 | #14 x 3/4" TEK Screw |
| 15 | B0011365 | 1/2" Flange Lock Nut |
| NS | B021607 | Double Tubing Clamp |

HYDRAULIC DRIVE - REDUCED CAPACITY 1535 TOP DRIVE BELT CONVEYOR
SERIAL NOS. 106000 - 111599



| REF # | PART NO. | DESCRIPTION |
|-------|----------|--|
| 1 | C203116 | Hydraulic Motor Mount |
| 2 | C203117 | Hydraulic Motor Guard |
| 3 | B001023 | 3/8"x 3/4" Bolt |
| 4 | B001165 | 3/8" Lock Washer |
| 5 | B689169 | 1/4" Key x 1 1/2" Long |
| 6 | B009409 | 50 x 17 Sprocket - 1 1/4" Bore |
| 7 | B009410 | 50 x 17 Sprocket - 1" Bore |
| 8 | B009601 | R50-2 Roller Chain |
| 9 | B0190435 | Hydraulic Motor - 5.9 cu.in./ rev |
| 10 | B0194345 | #10 MORB x #10 MJIC Adapter Fitting |
| 11 | B019537 | 1/2" MPT x 1/2" FPT Check Valve |
| 12 | B0191476 | 1/2" Hydraulic Hose x 37' Long - 1/2" MPT x #10 FJIC |
| 13 | B019200 | 1/2" FPT Pioneer Male Tips |
| 14 | B002036 | #10 x 5/8" TEK Screw |
| 15 | B001134 | 1/2" Stover Lock Nut |
| NS | B021607 | Double Tubing Clamp |

WIND GUARDS - 1535 TOP DRIVE BELT CONVEYOR
SERIAL NOS. 106000 - 111599



| REF # | PART NO. | DESCRIPTION |
|-------|----------|---------------------------------------|
| 1 | C203909 | 35' Common Wind Guard |
| 2 | C203495L | 35' Lower Wind Guard - Left |
| NS | C203495R | 35' Lower Wind Guard - Right |
| 3 | C203519R | Upper & Lower Wind Guard Mount- Right |
| 4 | C203519L | Upper & Lower Wind Guard Mount- Left |
| 5 | C203516 | Wind Guard Mount |
| 6 | B001082 | 3/8" x 1" Carriage Bolt |
| 7 | B0011325 | 3/8" Stover Lock Nut |
| 8 | B001001 | 1/4" x 1/2" Bolt |
| 9 | B001124 | 1/4" Lock Nut |