

***2021 GRAINBELT TRANSFER  
CONVEYOR***

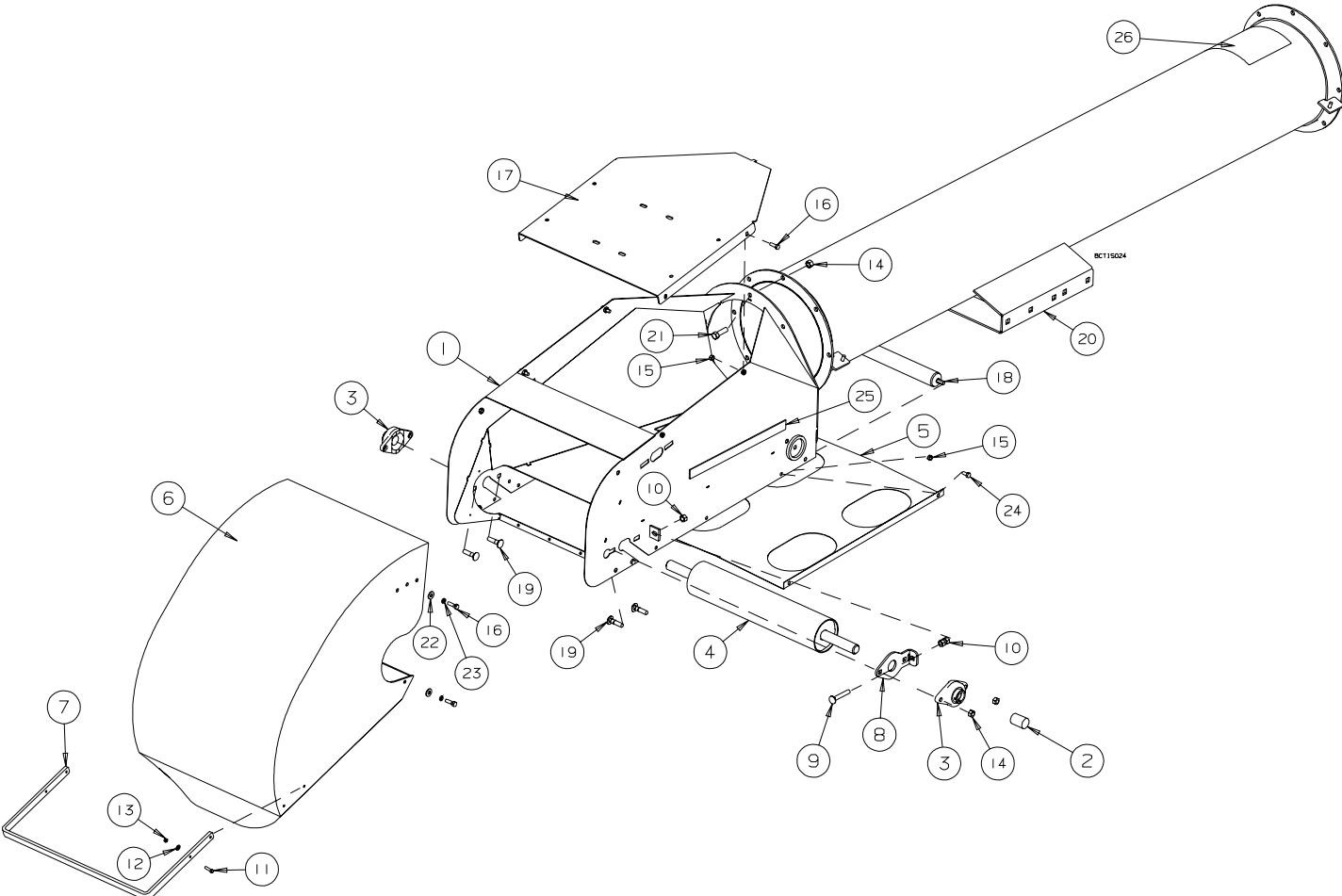
**PARTS LIST**

**SERIAL NOS. 76300 - 78399**

---

**DISCHARGE ASSEMBLY -20 SERIES GRAIN BELT TRANSFER CONVEYOR**  
**SERIAL NOS. 76300 - 78399**

---

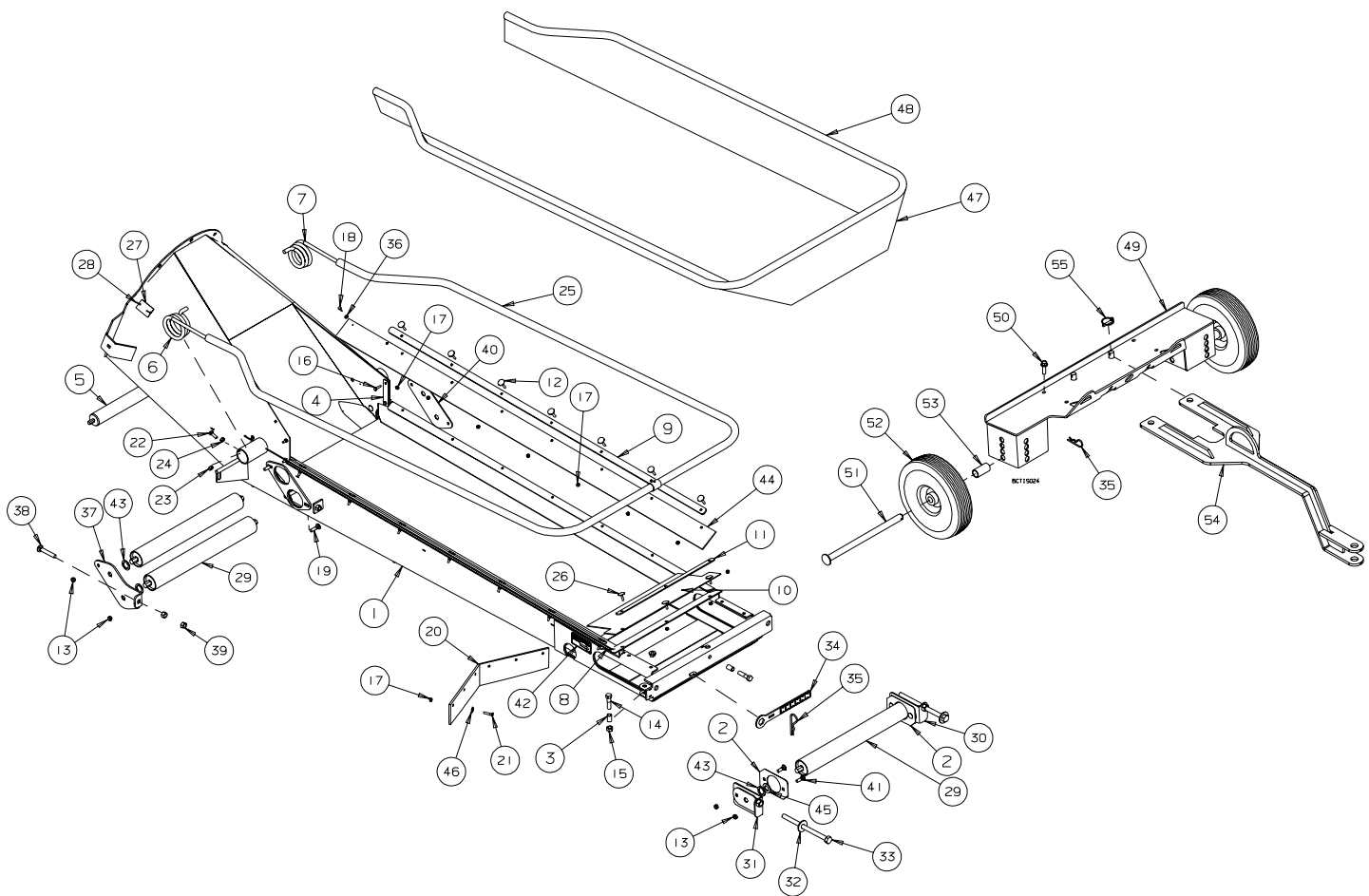


REF #	PART NO.	DESCRIPTION
1	C202361	Discharge Weldment
2	B027535	1 1/4" Plastic Shaft Cap
3	B0172015	1 1/4" dia Bearing- 2 Bolt Flange
4	C202364	5" Roller - Keyed and Lagged
5	C202362	Bottom Discharge Guard
6	B027605	Plastic Discharge Spout
7	C202367	Transfer Handle
8	C200615	Shaft Guard - 1 1/4"
9	B001091	1/2"x 3" Carriage Bolt - Full Thread
10	B001135	1/2" Hex Nut
11	B0010036	1/4"x 1 1/4" Bolt
12	B001147	1/4" Flatwasher
13	B001124	1/4" Lock Nut
14	B001136	1/2" Lock Nut
15	B0011325	3/8" Stover Lock nut
16	B001024	3/8"x 1" Bolt
17	C202363	Discharge Cap
18	B021253	1.9" OD x 23" Roller
19	B0010905	1/2"x 2" Short Neck Carriage Bolt
20	C202339	20 Series Transfer Tube
21	B001040	1/2"x 1 1/4" Bolt
22	B001149	3/8" Flatwasher
23	B001165	3/8" Lock Washer
24	B001023	3/8" x 3/4" Bolt
25	B029775	www.brandt.ca Decal
26	B0290105	Caution Decal

---

**INTAKE ASSEMBLY - 20 SERIES GRAIN BELT TRANSFER CONVEYOR**  
**SERIAL NOS. 76300 - 78399**

---

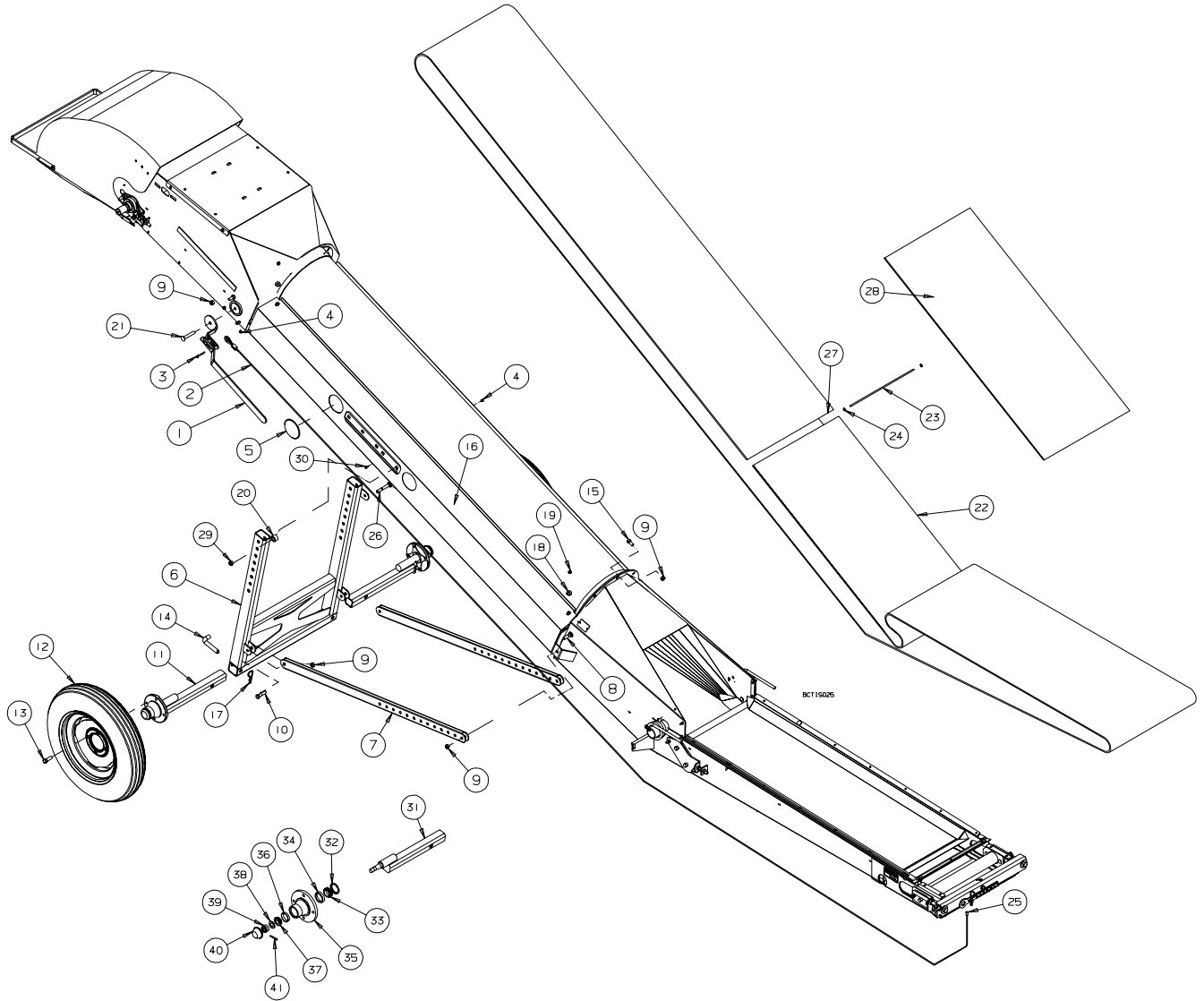


REF #	PART NO.	DESCRIPTION
1	C202336	20 Series Transfer Hopper Weldment
2	C202313	Back Plate
3	B002310	5/8" OD x .512" ID x 1" lg Spacer
4	C200796	Hopper Flap
5	B021259	1.9" OD x 20 1/8" Roller
6	B021740L	Hopper Spring - Left
7	B021704R	Hopper Spring - Right
8	B0275395L	Transfer Flashing - Left
9	C204184	20" Transfer Fabric Strap - Side
10	B027541	20" Transfer Rear Hopper Flashing
11	C202341	20" Transfer Fabric Strap - Rear
12	B002225	1/4" x 1 1/2" Elevator Bolt
13	B001132	3/8" Lock Nut
14	B001044	1/2" x 2" Bolt
15	B001136	1/2" Lock Nut
16	B001003	1/4" x 1" Bolt
17	B001124	1/4" Lock Nut
18	B002036	#10 x 5/8" TEK Screw
19	B0010835	3/8" x 1 1/4" Carriage Bolt
20	B027540	20" Transfer Dozer Flashing
21	B001003	1/4" x 1" Bolt
22	B001024	3/8" x 1" Bolt
23	B0011325	3/8" Stover Lock Nut
24	B001131	3/8" Hex Nut
25	C202350	20" Transfer Hopper Rail
26	B002226	1/4" x 1" Elevator Bolt
27	B021899	Serial No. Plate
28	B0020795	1/8" x .640" Pop Rivet
29	B021258	2 1/2" Transfer "S" Roller
30	C202745R	Transfer Adjustment Plate - Right
31	C202745L	Transfer Adjustment Plate - Left
32	B001153	5/8" Flatwasher
33	B002600	5/8" x 9" Bolt - Full Thread
34	C202307A	Wrench Assembly
35	B002091	3/16" x 3 3/4" Hair Pin Clip
36	B0011459	#10 Flatwasher
37	C202319	Roller Adjustment Cap
38	B001091	1/2" x 3" Carriage Bolt - Full Thread
39	B001135	1/2" Hex Nut
40	C202320	Roller Cap
41	B001083	3/8" x 1 1/2" Carriage Bolt
42	B029450	Tracking Right Decal
43	B002070	1 1/2" OD x 1" ID x 14 ga Machinery Bushing
44	B0275395R	Transfer Flashing - Right
45	B001157	3/4" SAE Flatwasher
46	B001147	1/4" Flatwasher
47	B021419	20" Transfer Hopper Fabric
48	B024083	1" ID Flexible Conduit x 184"
49	C204166	Wheel Mount
50	B001433	3/8" x 1" Serrated Flange Bolt
51	C201300	Wheel Pin
52	B011041	10" OD Tire & plastic Rim - 3/4" Bore
53	C201305	Wheel Spacer
54	C204170	20" Transfer Transport Hitch
55	B002088	1/4" x 1 3/4" Linch Pin

---

**UNDERCARRIAGE ASSEMBLY - 20 SERIES GRAIN BELT TRANSFER CONVEYOR**  
**SERIAL NOS. 76300 - 78399**

---

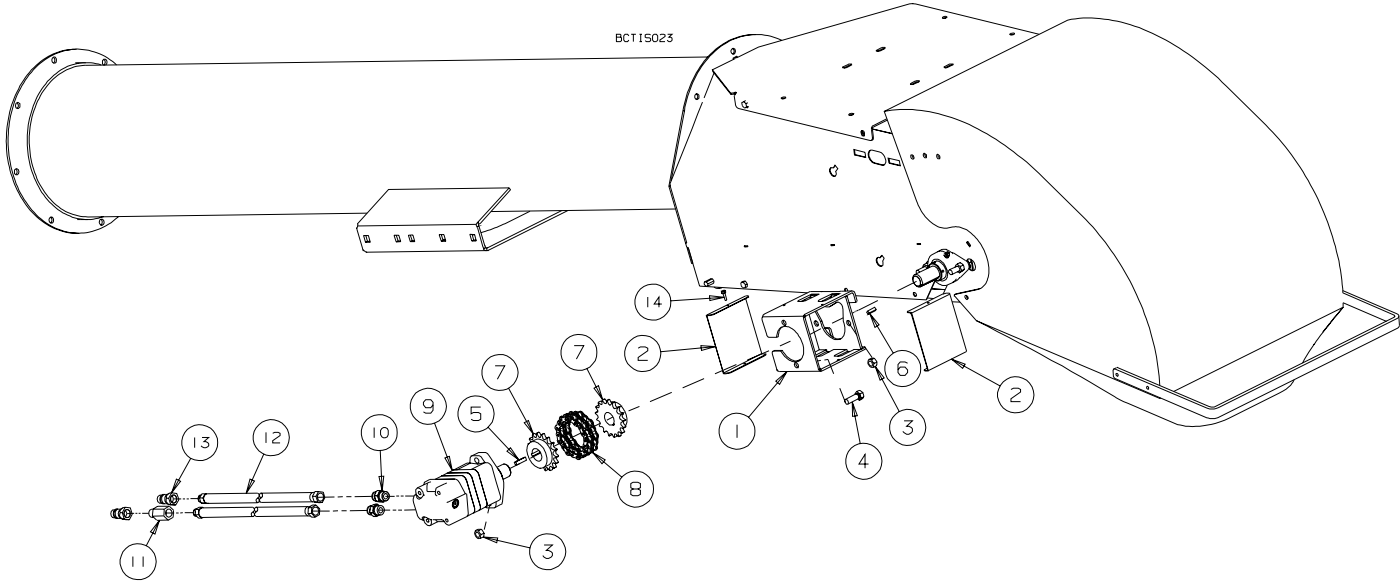


REF #	PART NO.	DESCRIPTION
1	C202784	Transfer Handle
2	B008397	3/16" Cable x 19'-8"
3	B001005	1/4"x 2" Bolt
4	B0011245	1/4" Stover Lock Nut
5	B028187	4" dia Plastic Plug
6	C202337	Transfer Frame
7	C204168	Axle Arm
8	B001080	1/2"x 2" Carriage Bolt
9	B001134	1/2" Stover Lock Nut
10	B001044	1/2"x 2" Bolt
11	C202357A	Axle Assembly- 20" Transfer
12	B011215	6.70 x 15 Tire and Rim
13	B011504	Wheel Bolt
14	B0020315	3/4"x 4' L-Pin
15	B001140	1/2"x 1 1/4" Bolt
16	C202338	Transfer Wind Guard - Left
NS	C202338M	Transfer Wind Guard - Right
17	B002091	.177" x 3 3/4" Hair Pin Clip
18	B001149	3/8" Flatwasher
19	B0011325	3/8" Stover Lock Nut
20	C204192	Axle Frame Spacer
21	B001088	1/2"x 1 1/2" Carriage Bolt
22	B0186455	Rubber Belt - 20" Wide x 42' Long - Laced
23	C200898	Cable Pin x 20" Long
24	B021921	Pin Retaining Washer
25	B008059	3/16" Aluminum Swage Sleeve
26	B001097	5/8" x 4 1/2" Carriage Bolt
27	B021321	Alligator Lacing - 15" c/w Pin
28	B0186305	Rubber Belt - 20" Wide x 5' - Laced
29	B0011415	5/8" Stover Lock Nut
30	B001001	1/4"x 1/2" Bolt
31	C202357	Axle Stube Weldment
32	B011604	Grease Seal - 411 Hub
33	B011603	Inner Cone - LM67048
34	B011602	Inner Cup - LM67010
35	B011605	411 Hub c/w Cups
36	B011600	Outer Cup - LM11910
37	B011601	Outer Cone - LM11949
38	B001157	3/4" SAE Flatwasher
39	B011677	3/4" - 16 UNF Castle Nut
40	B011500	Dust Cap - 411 Hub
41	B002047	3/16" x 1 1/4" Cotter Pin

---

**HYDRAULIC DRIVE ASSEMBLY - 20 SREIES GRAIN BELT TRANSFER CONVEYOR**  
**SERIAL NOS. 73600 - 78399**

---



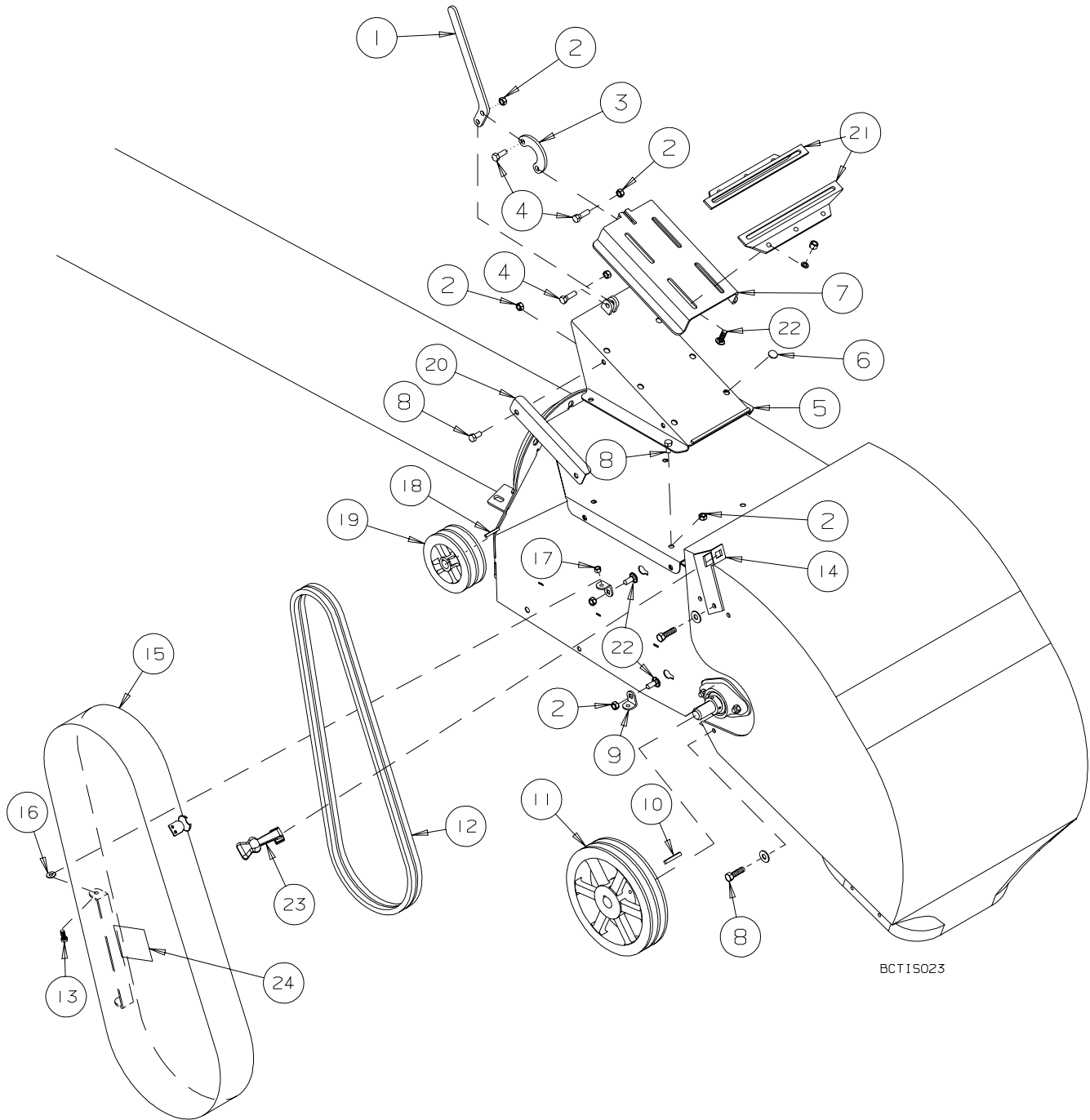


REF #	PART NO.	DESCRIPTION
1	C202351	Hydraulic Motor Mount
2	C200654	Hydraulic Motor Guard
3	B001134	1/2" Stover Lock Nut
4	B001041	1/2"x 1 1/2" Bolt
5	C200952	Offset Key- 1/4" x 5/16" x 1 1/4" lg
6	B300708	1/4" Key x 1" Long
7	B009409	50 x 17 Sprocket - 1 1/4" Bore
8	B009601	R50-2 Roller Chain
9	B019047	Hydraulic Motor - 8.0 cu.in./ rev
10	B0194345	#10 MORB x #10 MJIC Adapter Fitting
11	B019537	1/2" MPT x 1/2" FPT Check Valve
12	B0191478	1/2" Hydraulic Hose x 15' Long - 1/2" MPT x #10 FJIC
13	B019200	1/2" FPT Pioneer Male Tips
14	B002036	#10 x 5/8" TEK Screw

---

**ENGINE DRIVE ASSEMBLY - 20 SERIES GRAIN BELT TRANSFER CONVEYOR**  
**SERIAL NOS. 73600 - 78399**

---



BCT15023

REF #	PART NO.	DESCRIPTION
1	C200659	Tension Handle
2	B0011325	3/8" Stover Lock Nut
3	C200657	Motor Link
4	B001025	3/8"x 1 1/4" Bolt
5	C200658	Motor Mount
6	B027500	Plastic Wear Bushing
7	C200656	Motor Base
8	B001023	3/8"x 3/4" Bolt
9	C202311	Hinge
10	B689169	1/4" Key x 1 1/2" Long
11	B0181208	2B Pulley - 11.75" OD x 1 1/4" Bore
12	B018069	B-75 Belt
13	B001002	1/4"x 3/4" Bolt
14	C202366	Latch Plate
15	C202365	Transfer Belt Shield Assembly
16	B001147	1/4" Flatwasher
17	B001124	1/4" Lock Nut
18	C202407	Motor Key - 5/16" x 2"
19	B0180307	2B Pulley - 3.55" OD x 1 3/8" Bore
20	C200655	Motor Rail
21	C200667	Motor Mount Bracket
22	B001082	3/8"x 1" Carriage Bolt
23	B0219992	Rubber Latch
24	B029111	Moving Parts Hazard Decal