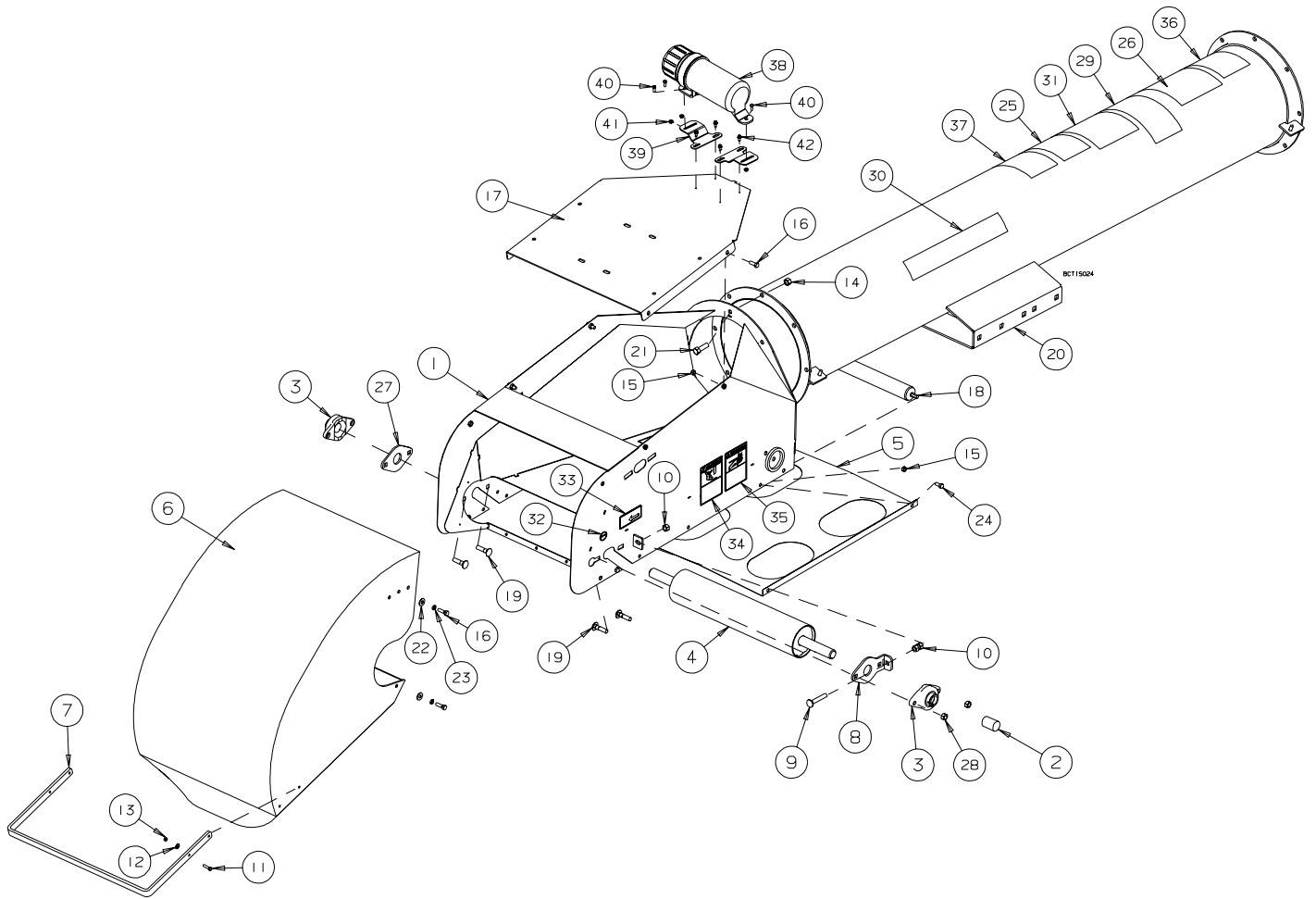


***2021 GRAINBELT TRANSFER
CONVEYOR***

PARTS LIST

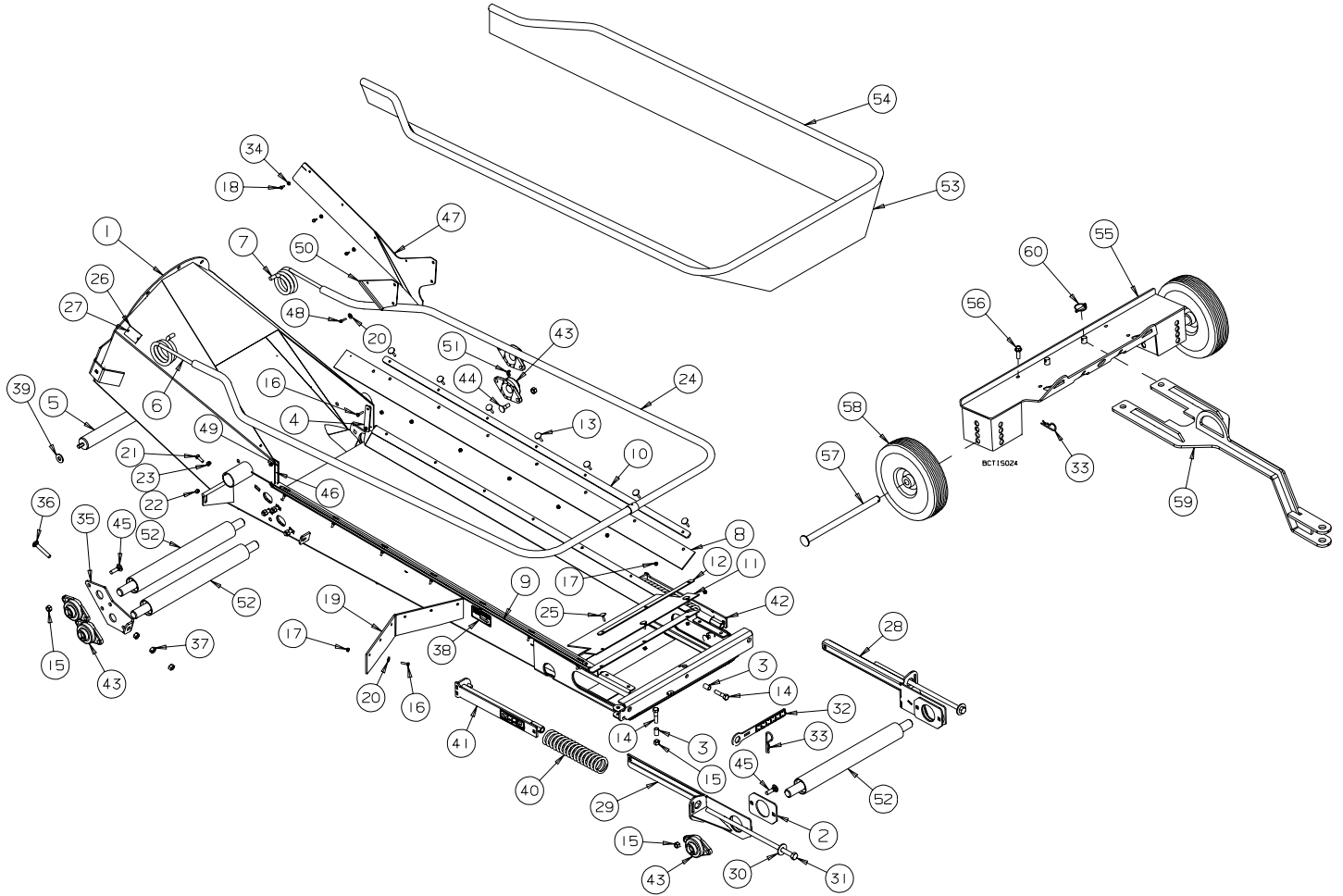
SERIAL NOS. 105000 - 114999

DISCHARGE ASSEMBLY -20 SERIES GRAIN BELT TRANSFER CONVEYOR
SERIAL NOS. 105000 - 114999



REF #	PART NO.	DESCRIPTION	QTY
1	C202361	Discharge Weldment	1
2	B027535	1 1/4" Plastic Shaft Cap	1
3	B0172015	1 1/4" dia Bearing- 2 Bolt Flange	2
4	C202364	5" Roller - Keyed and Lagged	1
5	C202362	Bottom Discharge Guard	1
6	B027605	Plastic Discharge Spout	1
7	C202367	Transfer Handle	1
8	C200615	Shaft Guard - 1 1/4"	1
9	B001091	1/2"x 3" Carriage Bolt - Full Thread	1
10	B001135	1/2" Hex Nut	3
11	B0010036	1/4"x 1 1/4" Bolt	4
12	B001147	1/4" Flatwasher	4
13	B001124	1/4" Lock Nut	4
14	B001136	1/2" Lock Nut	8
15	B0011325	3/8" Stover Lock nut	8
16	B001024	3/8"x 1" Bolt	8
17	C202363	Discharge Cap	1
18	B021253	1.9" OD x 23" Roller	1
19	B001090	1/2"x 2" Carriage Bolt	4
20	C202339A	20 Series Transfer Tube	1
21	B001040	1/2"x 1 1/4" Bolt	8
22	B001149	3/8" Flatwasher	4
23	B001165	3/8" Lock Washer	4
24	B001023	3/8" x 3/4" Bolt	4
25	B029027	Daily Operation Checklist Decal	1
26	B0290105	Caution Decal	1
27	C200609	Bearing Plate	1
28	B001409	1/2" Serrated Flange Nut	4
29	B029023	Belt Speed Decal - 2021 Transfer	1
30	B029148	Brandt Die Cut Decal	2
31	B029827	Tracking Warning Decal	1
32	B029950	8 hrs Grease Decal	2
33	B0294501	Left Tracking Decal	1
34	B029966	Conveyor Discharge Decal	2
35	B029967	Downspout Warning Decal	2
36	B029971	Safe Transport Decal	1
37	B029006	Oil Seed Notice Decal	1
38	B0275102	Round Manual Holder	1
39	C314500	Manual Holder Bracket	2
40	B001002	1/4" x 3/4" Bolt	3
41	B0011246	1/4" Flange Lock Nut	3
42	B0020356	1/4" x 3/4" TEK Screw	4

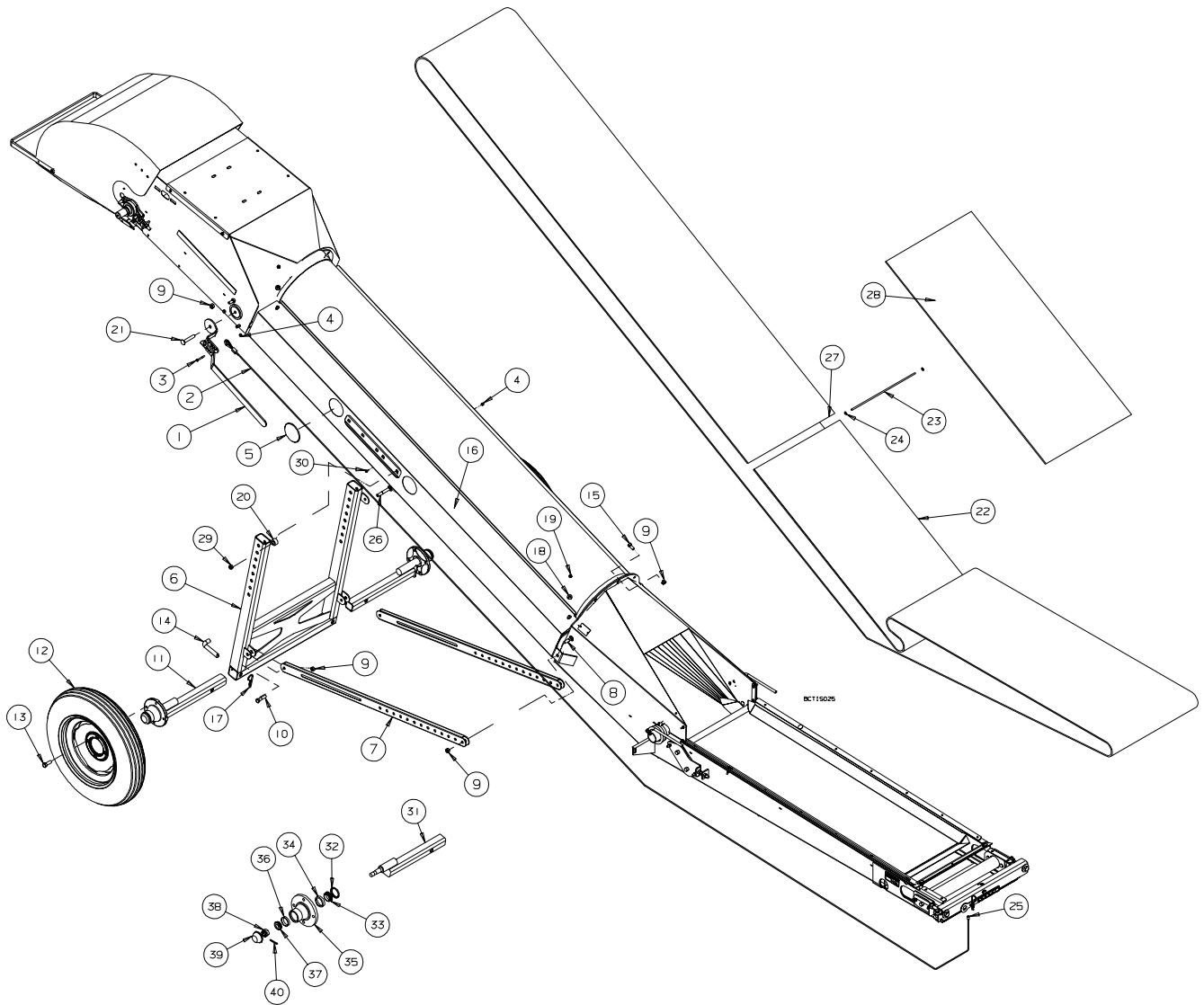
INTAKE ASSEMBLY - 20 SERIES GRAIN BELT TRANSFER CONVEYOR
SERIAL NOS. 105000 - 114999



REF #	PART NO.	DESCRIPTION	QTY
1	C205336	20 Series Transfer Hopper Weldment	1
2	C205377	Back Plate	2
3	B002310	5/8" OD x .512" ID x 1" lg Spacer	2
4	C200796	Hopper Flap	2
5	B021259	1.9" OD x 20 1/8" Roller	1
6	B021740L	Hopper Spring - Left	1
7	B021740R	Hopper Spring - Right	1
8	B0275395R	Transfer Flashing - Right	1
9	B0275395L	Transfer Flashing - Left	1
10	C204184	20" Transfer Fabric Strap - Side	2
11	B027541	20" Transfer Rear Hopper Flashing	1
12	C202341	20" Transfer Fabric Strap - Rear	1
13	B002225	1/4"x 1 1/2" Elevator Bolt	14
14	B001044	1/2"x 2" Bolt	2
15	B001134	1/2" Stover Lock Nut	14

REF #	PART NO.	DESCRIPTION	QTY
16	B001003	1/4"x 1" Bolt	10
17	B001124	1/4" Lock Nut	27
18	B002036	#10 x 5/8" TEK Screw	6
19	B027540	20" Transfer Dozer Flashing	1
20	B001147	1/4" Flatwasher	8
21	B001024	3/8"x 1" Bolt	2
22	B0011325	3/8" Stover Lock Nut	2
23	B001131	3/8" Hex Nut	2
24	C202350	20" Transfer Hopper Rail	1
25	B002226	1/4"x 1" Elevator Bolt	3
26	B021899	Serial No. Plate	1
27	B0020795	1/8"x .640" Pop Rivet	2
28	C205376R	Transfer Adjustment Plate - Right	1
29	C205376L	Transfer Adjustment Plate - Left	1
30	B001153	5/8" Flatwasher	2
31	B0026017	5/8"x 18" Bolt - Full Thread	2
32	C202307A	Wrench Assembly	1
33	B002091	3/16" x 3 3/4" Hair Pin Clip	2
34	B0011459	#10 Flatwasher	6
35	C205378	Roller Adjustment Cap	1
36	B001091	1/2"x 3" Carriage Bolt - Full Thread	1
37	B001135	1/2" Hex Nut	3
38	B029450	Tracking Decal - Right	1
39	B001151	1/2" Flatwasher	4
40	B0210731	Compression Spring - 2 1/2" OD x 16" x 0343" wire	2
41	C205074LA	Spring Tension Assembly - Left	1
42	C205074	Spring Tensioner End	1
43	B0172015	1 1/4" Bearing - 2 Bolt Flange	2
44	B001088	1/2" x 1 1/2" Carriage Bolt	4
45	B001089	1/2" x 1 3/4" Carriage Bolt	8
46	B027552L	Transition Flashing - Left	1
47	B027552R	Transition Flashing - Right	1
48	B0020357	1/4" x 1" TEK Screw	2
49	C205148L	Flashing Plate - Left	1
50	C205148R	Flashing Plate - Right	1
51	B0020825	Grease Zerk - 1/4"-28 tpi - 90°	1
52	C205060	2 1/2" Roller	2
53	B021419	20" Transfer Hopper Fabric	1
54	B024083	1" ID Flexible Conduit x 184"	1
55	C204166	Wheel Mount	1
56	B001433	3/8"x 1" Serrated Flange Bolt	4
57	C201300	Wheel Pin	2
58	B011046	10" OD Tire & Plastic Rim - 3/4" Bore	2
59	C204170	20" Transfer Transport Hitch	1
60	B002088	1/4" x 1 3/4" Linch Pin	2

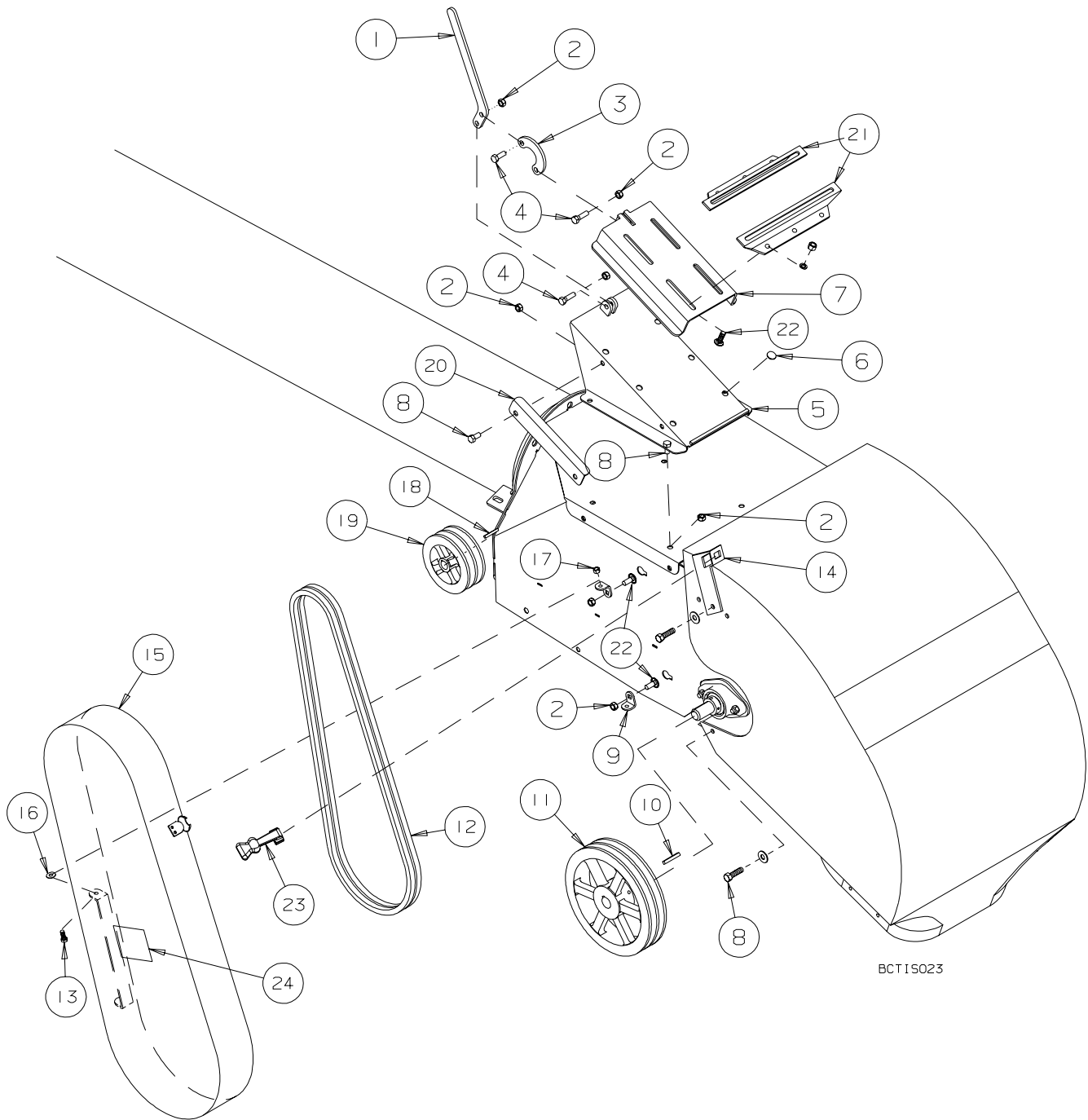
UNDERCARRIAGE ASSEMBLY - 20 SERIES GRAIN BELT TRANSFER CONVEYOR
SERIAL NOS. 105000 - 114999



REF #	PART NO.	DESCRIPTION	QTY
1	C202784	Transfer Handle	1
2	B008397	3/16" Cable x 19'-8"	1
3	B001005	1/4"x 2" Bolt	2
4	B0011245	1/4" Stover Lock Nut	7
5	B028187	4" dia Plastic Plug	2
6	C202337	Transfer Frame	1
7	C204168	Axle Arm	2
8	B001080	1/2"x 2" Carriage Bolt	2
9	B001134	1/2" Stover Lock Nut	13
10	B001044	1/2"x 2" Bolt	2
11	C202357A	Axle Assembly- 20" Transfer	2
12	B011205	ST205/75D15 Tire and Rim	2
13	B011504	Wheel Bolt	8
14	B0020315	3/4"x 4' L-Pin	2
15	B001140	1/2"x 1 1/4" Bolt	8
16	C202338	Transfer Wind Guard - Left	1
NS	C202338M	Transfer Wind Guard - Right	1
17	B002091	.177" x 3 3/4" Hair Pin Clip	2
18	B001149	3/8" Flatwasher	4
19	B0011325	3/8" Stover Lock Nut	4
20	C204209	Axle Frame Spacer	2
21	B001088	1/2"x 1 1/2" Carriage Bolt	1
22	B0186455	Rubber Belt - 20" Wide x 42' Long - Laced	1
23	C204585	20" Lacing Pin Kit	1
25	B008059	3/16" Aluminum Swage Sleeve	1
26	B001097	5/8" x 4 1/2" Carriage Bolt	2
27	B021323	Alligator Lacing - 20" c/w Pin	1
28	B0186305	Rubber Belt - 20" Wide x 5' - Laced	
29	B0011415	5/8" Stover Lock Nut	2
30	B001001	1/4"x 1/2" Bolt	5
31	C202357	Axle Stub Weldment	1
32	B011604	Grease Seal - 411 Hub	1/hub
33	B011603	Inner Cone - LM67048	1/hub
34	B011602	Inner Cup - LM67010	1/hub
35	B011605	411 Hub c/w Cups	1/hub
36	B011600	Outer Cup - LM11910	1/hub
37	B011601	Outer Cone - LM11949	1/hub
38	B011677	3/4" - 16 UNF Castle Nut	1/hub
39	B011500	Dust Cap - 411 Hub	1/hub
40	B002047	3/16" x 1 1/4" Cotter Pin	1/hub

REF #	PART NO.	DESCRIPTION	QTY
1	C202351	Hydraulic Motor Mount	1
2	C200654	Hydraulic Motor Guard	2
3	B001134	1/2" Stover Lock Nut	4
4	B001041	1/2"x 1 1/2" Bolt	2
5	C200952	Offset Key- 1/4" x 5/16" x 1 1/4" lg	1
6	B300708	1/4" Key x 1" Long	1
7	B009409	50 x 17 Sprocket - 1 1/4" Bore	2
8	B009601	R50-2 Roller Chain	1
9	B019047	Hydraulic Motor - 8.0 cu.in./ rev	1
10	B0194345	#10 MORB x #10 MJIC Adapter Fitting	2
11	B019537	1/2" MPT x 1/2" FPT Check Valve	1
12	B0191478	1/2" Hydraulic Hose x 15' Long - 1/2" MPT x #10 FJIC	2
13	B019200	1/2" FPT Pioneer Male Tips	2
14	B002036	#10 x 5/8" TEK Screw	4

ENGINE DRIVE ASSEMBLY - 20 SERIES GRAIN BELT TRANSFER CONVEYOR
SERIAL NOS. 105000 - 114999



BCT15023

REF #	PART NO.	DESCRIPTION	QTY
1	C200659	Tension Handle	1
2	B0011325	3/8" Stover Lock Nut	17
3	C200657	Motor Link	1
4	B001025	3/8"x 1 1/4" Bolt	3
5	C200658	Motor Mount	1
6	B027500	Plastic Wear Bushing	6
7	C200656	Motor Base	1
8	B001023	3/8"x 3/4" Bolt	8
9	C202311	Hinge	2
10	B689169	1/4" Key x 1 1/2" Long	1
11	B0181208	2B Pulley - 11.75" OD x 1 1/4" Bore	1
12	B018069	B-75 Belt	2
13	B001002	1/4"x 3/4" Bolt	2
14	C202366	Latch Plate	1
15	C202365	Transfer Belt Shield Assembly	1
16	B001147	1/4" Flatwasher	2
17	B001124	1/4" Lock Nut	2
18	C202407	Motor Key - 5/16" x 2"	1
19	B0180307	2B Pulley - 3.55" OD x 1 3/8" Bore	1
20	C200655	Motor Rail	2
21	C200667	Motor Mount Bracket	2
22	B001082	3/8"x 1" Carriage Bolt	4
23	B0219992	Rubber Latch	1
24	B029111	Moving Parts Hazard Decal	1