

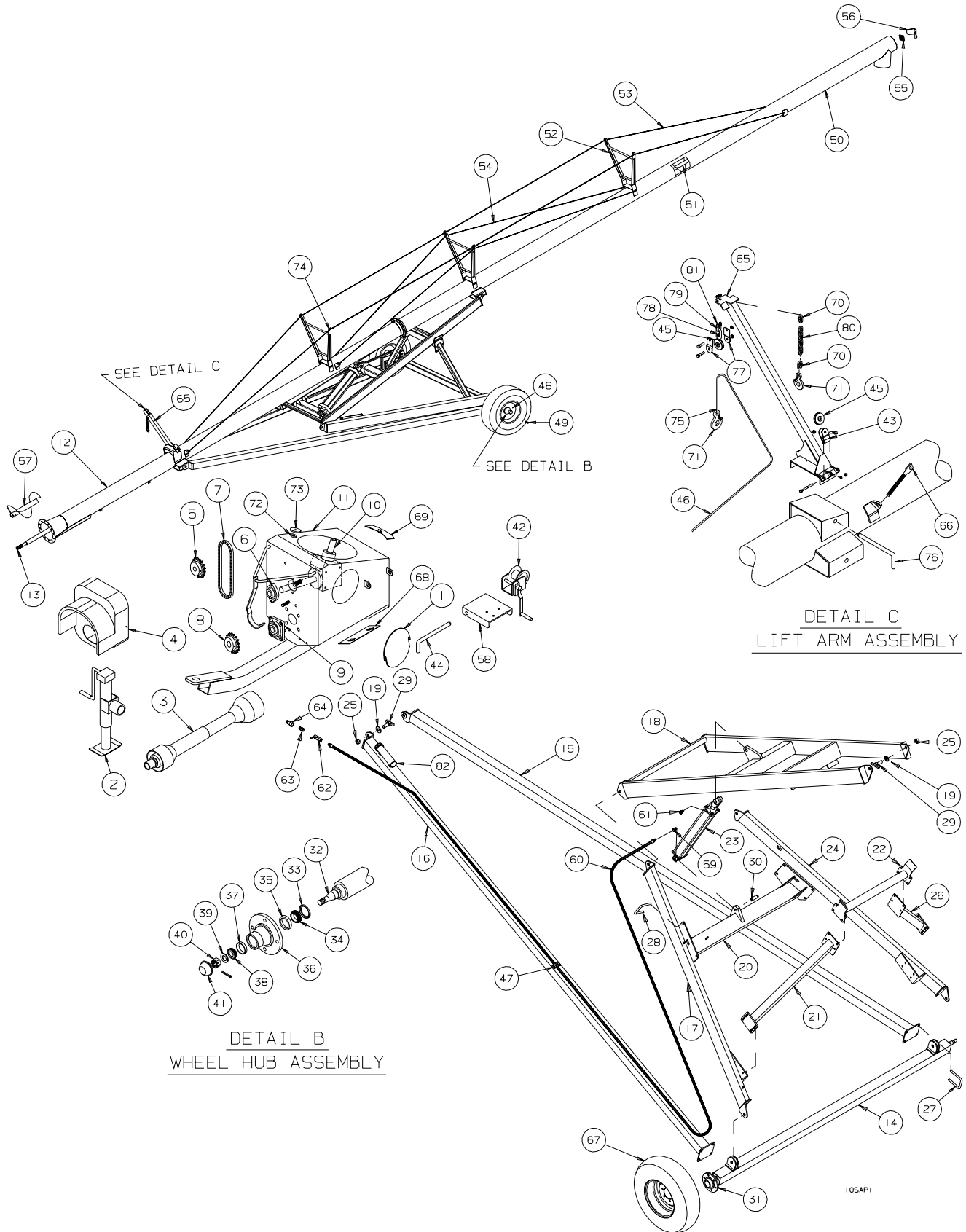
***10" MECHANICAL DRIVE SWING
AWAY AUGER***

PARTS LIST

SERIAL NOS. 104500 - 113999

10" X 60' TUBE & UNDERCARRIAGE ASSEMBLY - 10" MDSA AUGER

SERIAL NOS. 104500 - 113999

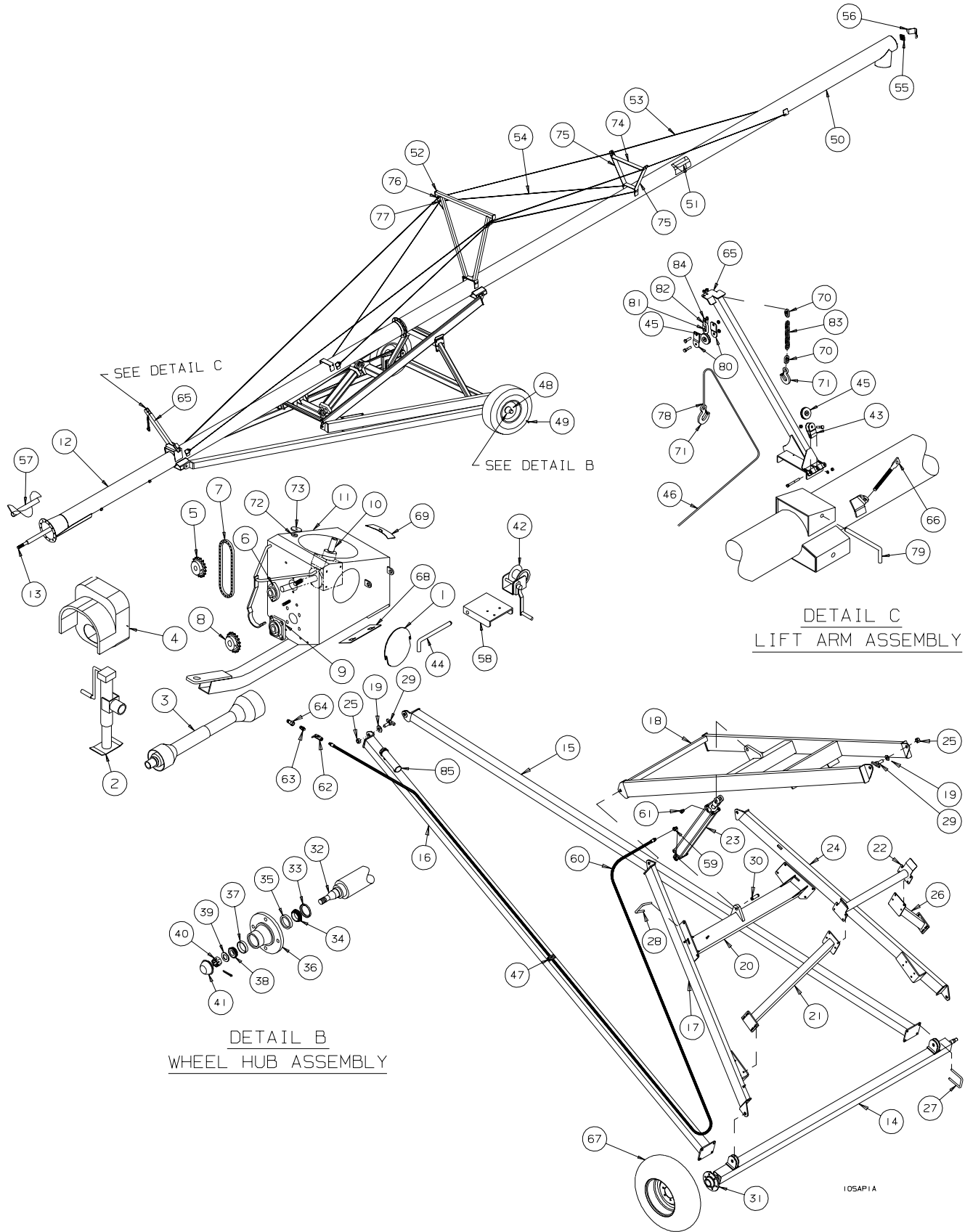


10SAP1

#	PART #	DESCRIPTION	QTY
1	B198362	Boot Access Cover	1
2	B030500	Side Wind Jack	1
3	B003049	PTO Shaft - Constant Velocity	1
4	B027504	Boot Guard, MDSA Plastic	1
5	B009010	60-17 Sprocket - 1 1/4" Bore	1
6	B017200	Bearing - 1 1/4" - 2 Bolt	1
7	B009014	R60 Chain x 40 Pitch	1
8	B009028	60-17 Sprocket - 1 3/8" Bore	1
9	B017160	Bearing - 1 3/8" - 4 Bolt	1
10	B003015	1:1 Gearbox - 112° - 21 Spline	1
11	B198404M	10" Intake Boot - CV	1
12	C108885	60' x 10" Bottom Tube - MD	1
13	B198011CV	60' x 10" Bottom Flight - MD	1
14	C100934	Scissor Axle Weld	1
15	C200884L	Axle Arm - Left	1
16	C200884R	Axle Arm - Right	1
17	C200883R	Lift Arm - Right	1
18	C200897	Ladder	1
19	B001159	1" Flat Washer	6
20	C200900	Lift Cross	1
21	C200727	Transport Upright - Right	1
22	C200729	Transport Rest	1
23	B019166	Hydra. Cylinder- 3.5"x 30" - 60'	1
NS	B019022	Seal Kit - 3.5" x 30" Cylinder	
24	C200883L	Lift Arm - Left	1
25	B001075	1" Lock Nut	6
26	C200730	Transport Upright - Left	1
27	B0020188	5/8"x 4" Sq. U-bolt x 5 1/2" Lg	4
28	B0020184	5/8"x 6" Sq. U-bolt x 3 1/2" Lg	4
29	C200666	Suspension Bolt	4
30	B019178	Hydraulic Cylinder Pin	2
31	B011005	4 Bolt Hub Complete c/w Bearings	2
32	B011012	Spindle Only	1
33	B011604	Seal - 4 Bolt Hub	1
34	B011603	Inner Cone - 4 Bolt Hub - LM67048	1
35	B011602	Inner Cup - 4 Bolt Hub - LM67010	1
36	B011605	Hub Only c/w Cups - 4 Bolt Hub	1
37	B011600	Outer Cup - 4 Bolt Hub - LM11910	1
38	B011601	Outer cone - 4 Bolt Hub - LM11949	1
39	B011676	3/4" Flatwasher - 4 Bolt Hub	1
40	B011677	3/4" Castle Nut - 4 Bolt Hub	1
41	B011500	Dust Cap - 4 Bolt Hub	1
42	B030200	1500 lb. Brake Winch	1

#	PART #	DESCRIPTION	QTY
43	C109104	Pulley Mount Weld	1
44	B198351	Saddle Retainer Pin	1
45	B394712	3" OD x 1/4" Cable Sheave (2 Req'd)	2
46	B194186	1/4" dia. Aircraft Cable x 29' Long	1
47	B021605	Plastic Hose Holder	18
48	B011016	15" Rim - 4 Bolt	2
49	B011504	Wheel Bolt	8
50	C105886	Upper Tube Weld- 60'	1
51	B198009	Upper Flight Weld - 60' & 70'	1
52	C200735	Truss Tower	3
53	B0081075	3/8"x 45' Aircraft Cable - 60'	2
54	B008300	3/8"x 22' Aircraft Cable - 60'	2
55	B017090	1 1/4" Bearing - 4 Bolt	1
56	B198340	Bearing Safety Cover	1
57	B194008M	11" Booster Flight	1
58	B198353	Winch Bracket	1
59	B019416	Restrictor- #6 MORB x #6 MJIC - 1/16" Dia	1
60	B019288	3/8" Hydra. Hose x 48'- 3/8" MPT x #6 FJIC	1
61	B0193051	Breather - #6 MORB, 10 micron	1
62	B019300	Ball Valve - 3/8" FPT	1
63	B019516	Reducer Nipple - 1/2" MPT x 3/8" MPT	1
64	B019200	Male Pioneer Tip - 1/2" FPT	1
65	C109029	Lift Arm - 44" Tube	1
66	B0020246	5/8"x 9 3/8" Eye bolt (Truss Cable)	4
67	B011205	P215-75R15 Tire & Rim	2
68	B198363	Boot Clean-Out Door	1
69	C100872	Swing Stop Weld	1
70	B0210362	5/16" Rapid Chain Link	2
71	B002125	3/4 Ton Chain Hook	1
72	C100889	Small Swing Tube Spacer	4
73	B198361	Large Swing Tube Retainer	4
74	B008080	3/8" Cable Clamp	16
75	B008070	1/4" Cable Clamp	2
76	B198350	Lift Arm Pin	1
77	C109102	Bolted Swivel Plate	1
78	B0210305	1/2" Chain Link	1
79	SW1069	Lift Arm Spacer	1
80	SW1071	Transport Chain	1
81	B008085	1/2" Cable Clamp	1
82	B0275101	Round Manual Holder	1

10"X 70' TUBE & UNDERCARRIAGE ASSEMBLY - 10" MDSA AUGER
SERIAL NOS. 104500 - 113999



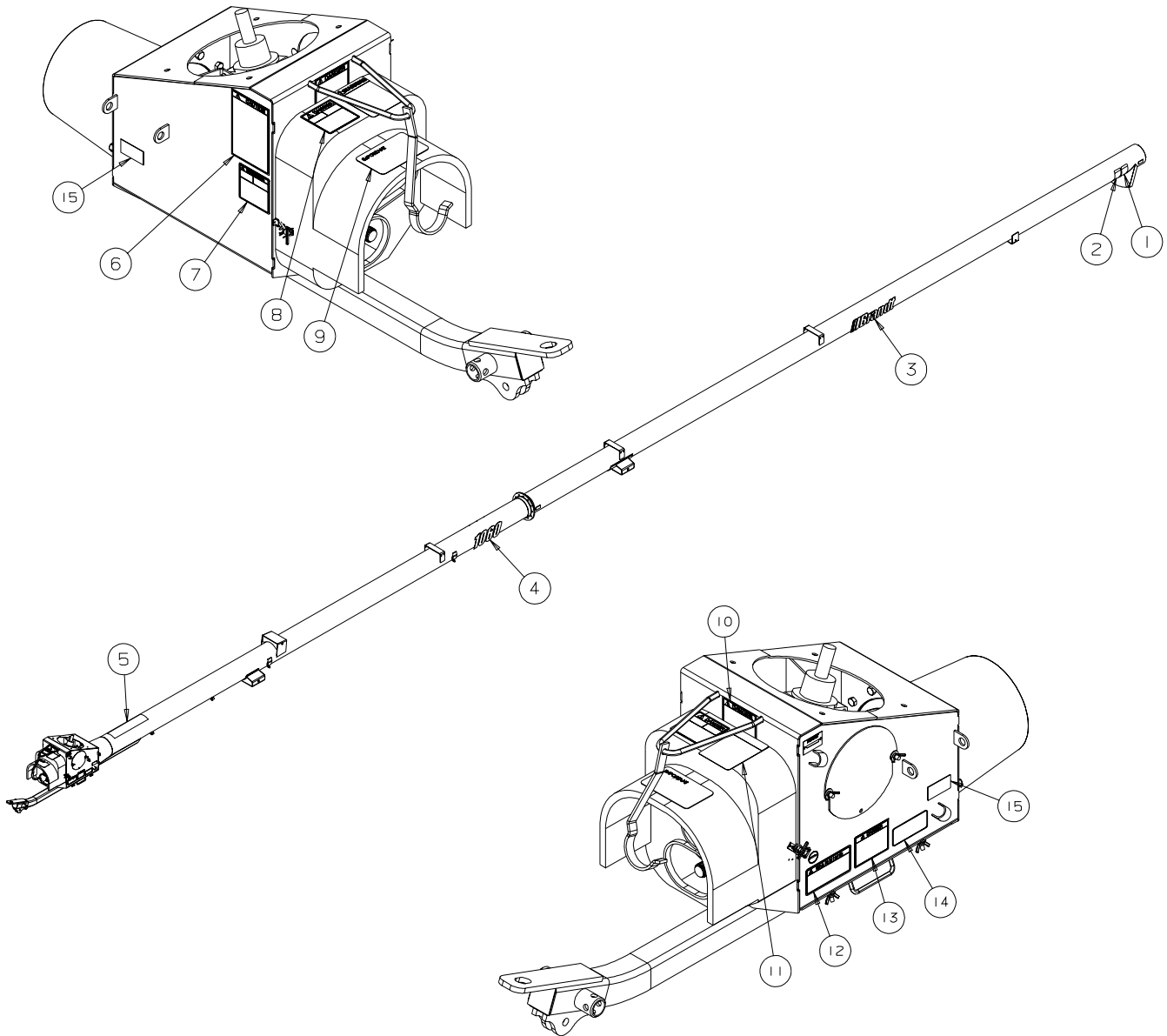
DETAIL B
WHEEL HUB ASSEMBLY

DETAIL C
LIFT ARM ASSEMBLY

IOSAP I A

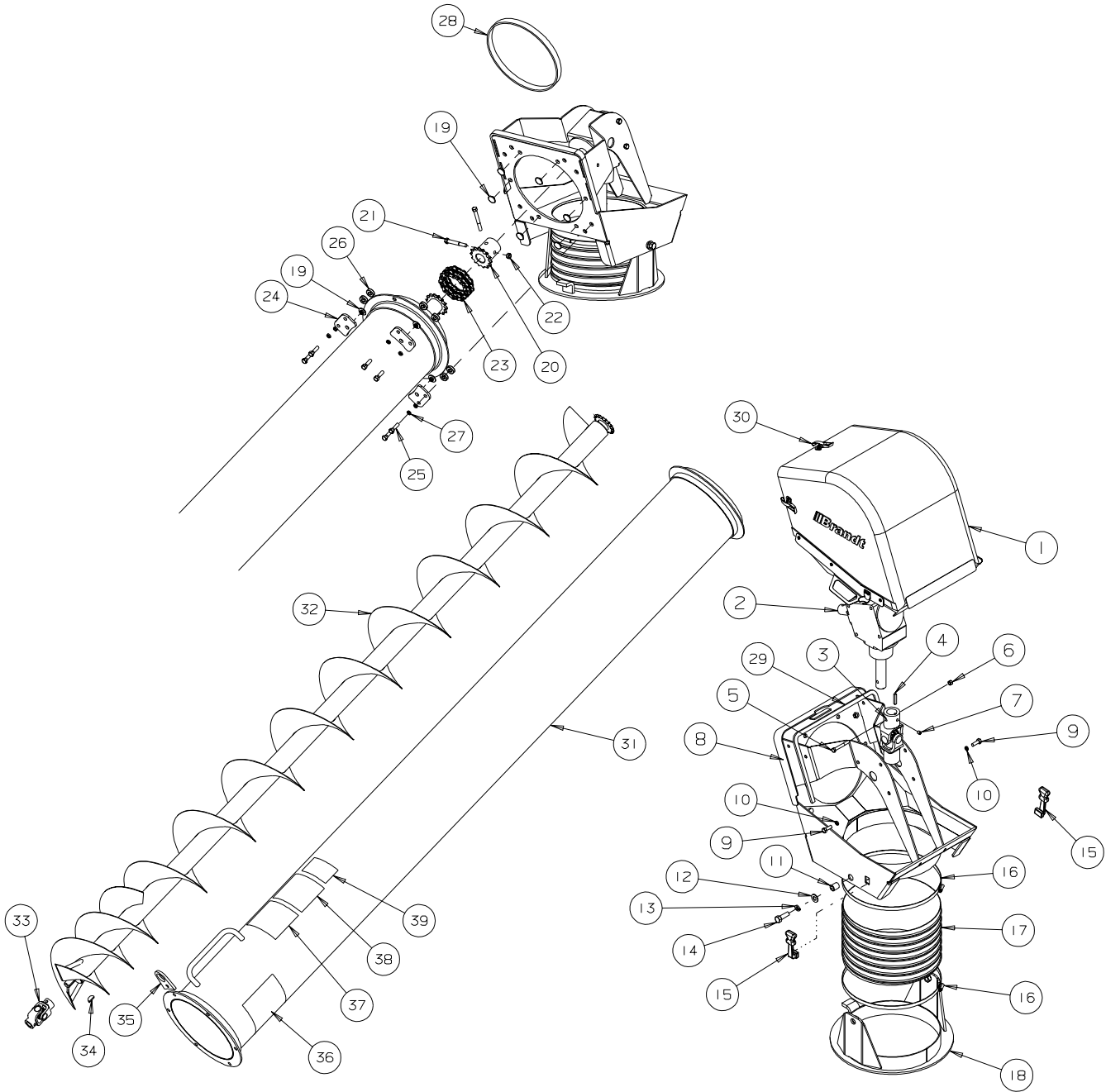
#	PART #	DESCRIPTION	QTY	#	PART #	DESCRIPTION	QTY
1	B198362	Boot Access Cover	1	43	C109104	Pulley Mount Weld	1
2	B030500	Side Wind Jack	1	44	B198351	Saddle Retainer Pin	1
3	B003049	PTO Shaft - Constant Velocity	1	45	B394712	3" OD x 1/4" Cable Sheave	2
4	B027504	Boot Guard, MDSA Plastic	1	46	B194186	1/4" dia. Aircraft Cable x 29' Long	1
5	B009010	60-17 Sprocket - 1 1/4" Bore	1	47	B021605	Plastic Hose Holder	18
				48	B011016	15" Rim - 4 Bolt	2
6	B017200	Bearing - 1 1/4" - 2 Bolt	1				
7	B009014	R60 Chain x 40 Pitch	1	49	B011504	Wheel Bolt	8
8	B009028	60-17 Sprocket - 1 3/8" Bore	1	50	C107888	Upper Tube Weld - 70'	1
9	B017160	Bearing - 1 3/8" - 4 Bolt	1	51	B198009	Upper Flight Weld - 60' & 70'	1
10	B003015	1:1 Gearbox - 112° - 21 Spline	1	52	C107050	Large Truss Tower	1
				53	B008310	1/2"x 54' Aircraft Cable - 70'	2
11	B198404M	10" Intake Boot - CV	1				
12	C108890	70' x 10" Bottom Tube - MD	1	54	B008308	3/8"x 32'-6" Aircraft Cable - 70'	2
13	B198308CV	70' x 10" Bottom Flight - MD	1	55	B017090	1 1/4" Bearing - 4 Bolt	1
14	C100934	Scissor Axle Weld	1	56	B198340	Bearing Safety Cover	1
15	C200884L	Axle Arm - Left	1	57	B194008M	11" Booster Flight	1
				58	B198353	Winch Bracket	1
16	C200884R	Axle Arm - Right	1				
17	C200883R	Lift Arm - Right	1	59	B019416	Restrictor- #6 MORB x #6 MJIC - 1/16" Dia	1
18	C200897	Ladder	1	60	B019288	3/8" Hydra. Hose x 48' - 3/8" MPT x #6 FJIC	1
19	B001159	1" Flat Washer	6	61	B0193051	Breather - #6 MORB, 10 micron	1
20	C200900	Lift Cross	1	62	B019300	Ball Valve - 3/8" FPT	1
				63	B019516	Reducer Nipple - 1/2" MPT x 3/8" MPT	1
21	C200727	Transport Upright - Right	1				
22	C200729	Transport Rest	1	64	B019200	Male Pioneer Tip - 1/2" FPT	1
23	B0191675	Hydra. Cylinder- 4"x 30" - 70'	1	65	C109029	Lift Arm - 44" Tube	1
	NSB019025	Seal Kit - 4" x 30" Cylinder		66	B0020246	5/8"x 9 3/8" Eye bolt (Truss Cable)	4
24	C200883L	Lift Arm - Left	1	67	B011205	P215-75R15 Tire & Rim	2
25	B001075	1" Lock Nut	6	68	B198363	Boot Clean-Out Door	1
26	C200730	Transport Upright - Left	1	69	C100872	Swing Stop Weld	1
27	B0020188	5/8"x 4" Sq. U-bolt x 5 1/2" Lg	4	70	B0210362	5/16" Rapid Chain Link	2
28	B0020184	5/8"x 6" Sq. U-bolt x 3 1/2" Lg	4	71	B002125	3/4 Ton Chain Hook	1
29	C200666	Suspension Bolt	4	72	C100889	Small Swing Tube Spacer	4
30	B019178	Hydraulic Cylinder Pin	2	73	B198361	Large Swing Tube Retainer	4
31	B011005	4 Bolt Hub Complete c/w Bearings	2	74	C107052	Small Truss Tower Top	1
32	B011012	Spindle Only	1	75	C107051	Small Truss Tower Side	2
33	B011604	Seal - 4 Bolt Hub	1	76	B008085	1/2" Cable Clamp	1
34	B011603	Inner Cone - 4 Bolt Hub - LM67048	1	77	B008080	3/8" Cable Clamp	14
35	B011602	Inner Cup - 4 Bolt Hub - LM67010	1	78	B008070	1/4" Cable Clamp	2
36	B011605	Hub Only c/w Cups - 4 Bolt Hub	1	79	B198350	Lift Arm Pin	1
37	B011600	Outer Cup - 4 Bolt Hub - LM11910	1	80	C109102	Bolted Swivel Plate	2
38	B011601	Outer cone - 4 Bolt Hub - LM11949	1	81	B0210305	1/2" Chain Link	1
39	B011676	3/4" Flatwasher - 4 Bolt Hub	1	82	SW1069	Lift Arm Spacer	1
40	B011677	3/4" Castle Nut - 4 Bolt Hub	1	83	SW1071	Transport Chain	1
41	B011500	Dust Cap - 4 Bolt Hub	1	84	B008085	1/2" Cable Clamp	1
42	B030200	1500 lb. Brake Winch	1	85	B0275101	Round Manual Holder	1

AUGER TUBE DECALS - 10" MDSA AUGERS
SERIAL NOS. 104500 - 113999



REF #	PART NO.	DESCRIPTION	QTY
1	B029967	Downspout Warning Decal	2
2	B029965	Auger Discharge Decal	2
3	B029150	Large `Brandt` Decal	2
4	B029655	`1060` Decal	2
4	B029660	`1070` Decal	2
5	B029100	Combination Danger Decal	1
6	B029330	Needle Valve Decal	1
7	B029350	Hydraulic Oil Decal	1
8	B029111	Moving Parts Hazard Decal	1
9	B029061	Hitch/PTO Dimensions Decal	1
10	B029410	Swing Auger Decal	1
11	B029340	Remove PTO Decal	1
12	B029971	Safe Transport Decal	1
13	B029310	Clean Out Covers Decal	1
14	B029072	10" Shear Bolt Decal	1
15	B0210275	1.5" x 3" Ambler Reflective Tape	6

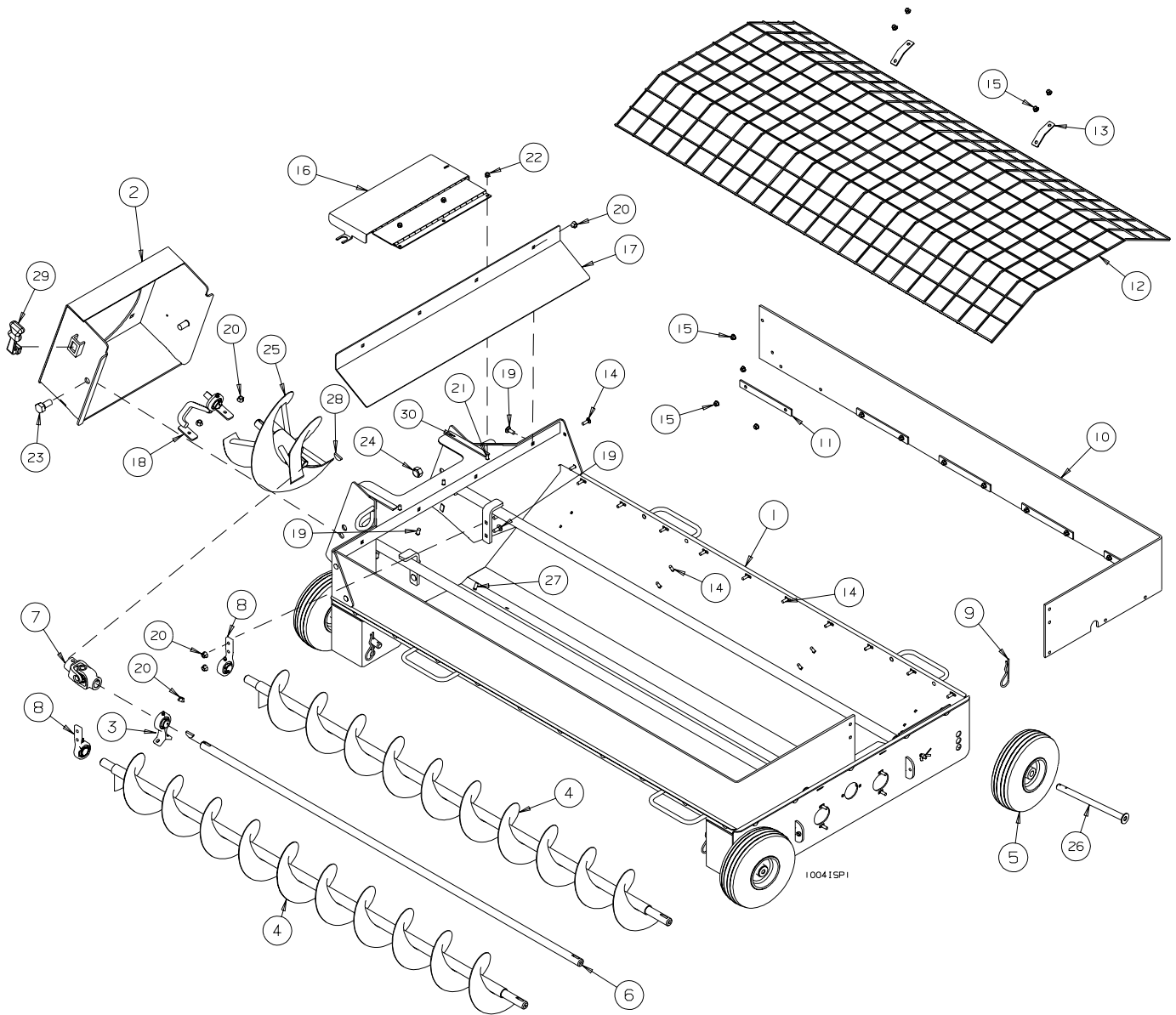
DUAL FLIGHT SWING TUBE ASSEMBLY - 10" MDSA AUGER
SERIAL NOS. 104500 - 113999



100415P4

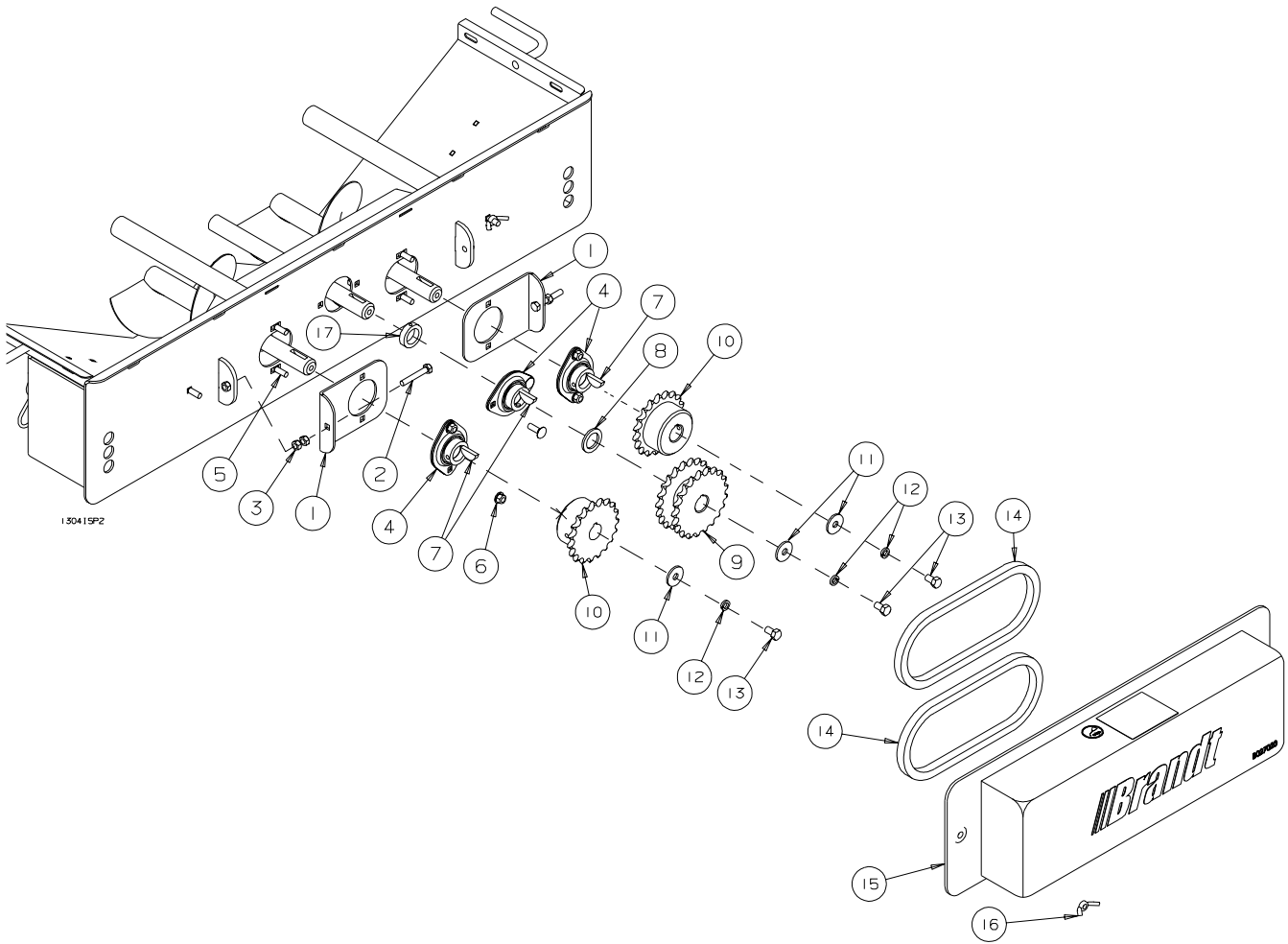
REF #	PART NO.	DESCRIPTION	QTY
1	C106876	Plastic Spout Cover Assembly	1
NS	B0275036	Plastic Spout Cover Only	
2	B003014	Upper Gear Box - 10"	1
3	B032135	U-joint - 1 1/4" Dia x 21 Spline	1
4	B689169	1/4" Key x 1 1/2" Long	1
5	B001015	5/16"x 2 1/2" Bolt	1
6	B0011275	5/16" Stover Lock Nut	1
7	B002041	3/8" x 3/8" Set Screw	1
8	C105867	10" Spout Weldment	1
9	B001024	3/8" x 1" Bolt	6
10	B001165	3/8" Lock Washer	6
11	C100869	Swivel Bushing	2
12	B001152	1/2" SAE Flatwasher	2
13	B001167	1/2" Lock Washer	2
14	B001040	1/2" x 1 1/4" Bolt	2
15	B0219992	Rubber Latch	2
16	B024213	13" Hose Clamp	2
17	C100879	Downspout Hose - 12" Dia x 12" Long	1
18	C100868	Lower Swivel Weldment	1
19	B027500	Plastic Wear Bushing	10
20	B0090024	50- 18 Sprocket x 1 1/4" Bore	1
21	B0010337	3/8" x 3" Bolt Gr.8	2
22	B001132	3/8" Lock Nut	2
23	B0096017	R50-2 x 18 Pitch Roller Chain	1
24	C100870	Retainer Plate	4
25	B001025	3/8" x 1 1/4" Bolt	8
26	B027499	Plastic Spacer Bushing	8
27	B001165	3/8" Lockwasher	8
28	C103953	10" Spout Seal Foam	1
29	SW1015	Spout Cover Seal	1
30	B021110	Small Latch Assembly	1
31	C104015	10" Dual Flight Swing Tube	1
32	C104011	10" Dual Swing Tube Flight	1
33	B0321125	1" x 1" U-Joint - 6R	1
34	B009700	1.25" x .25" Woodruff Key - #810	1
35	C109096	10" Lift Lug	1
36	B029662	XL Decal	2
37	B029310	Clean Out Cover Decal	1
38	B029090	Keep Handa and Feet Clear Decal	1
39	B029111	Moving Parts Hazard Decal	1

DUAL FLIGHT SWING HOPPER ASSEMBLY - 10" MDSA AUGER
SERIAL NOS. 104500 - 113999



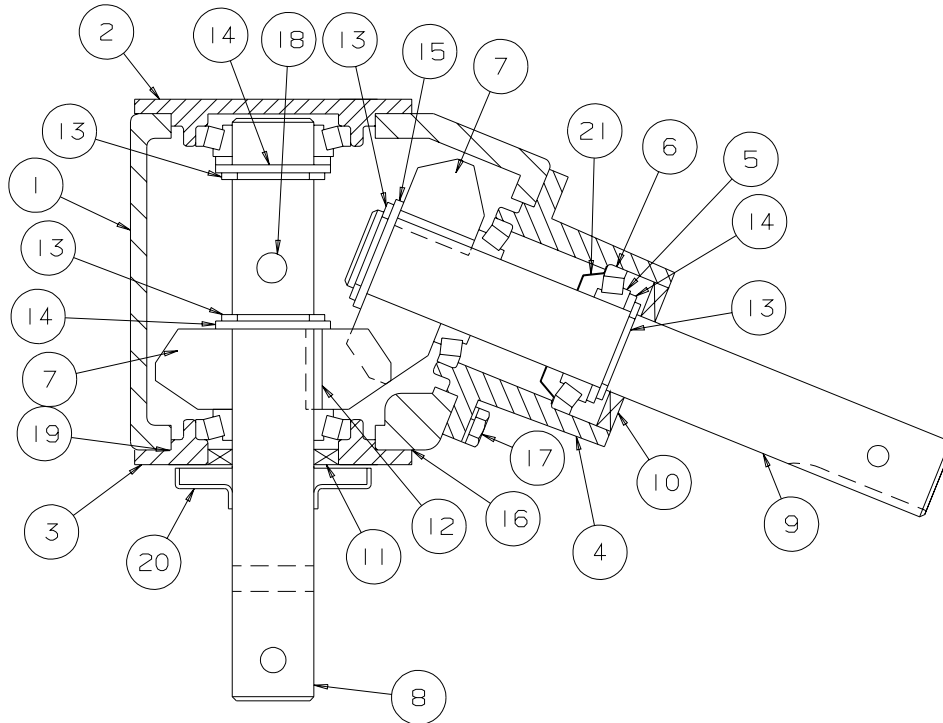
REF #	PART NO.	DESCRIPTION	QTY
1	C104001	Swing Hopper Weldment	1
2	C113000	10" Hopper Transition	1
3	C311382	Driveline Hanger Assembly c/w Bearing	1
NS	B017261	Driveline Bearing only	
4	C104009	Hopper Flight	2
5	B011046	10" Dia Hopper Tire & Rim - Extended Hub	4
6	C104006	10" Hopper Driveshaft - 72 7/16" lg.	1
7	B0321125	1" x 1" U-Joint - 6R	1
8	C311380	Flight Hanger Assembly c/w Bearing	2
NS	B017261	Driveline Bearing only	
9	B002091	.177" x 3 3/4" Hair Pin Clip	4
10	B0210418	Rubber Hopper Extension	2
11	B198071	Aluminum Hold Down Strap	12
12	C104010	Hopper Safety Grate	1
13	B198358	Hopper Mesh Retainer	4
14	B0010811	5/16" x 1" Carriage Bolt	35
15	B0011276	5/16" Flange Lock Nut	35
16	C112013A	Transition Cover	1
17	C104012	Baffle Plate	1
18	C111007A	10" Transition Flight Mount Assembly c/w Bearing	1
NS	B017261	Driveline Bearing only	
19	B001082	3/8" x 1" Carriage Bolt	10
20	B001405	3/8" Serrated Flange Nut	12
21	B001081	5/16" x 3/4" Carriage Bolt	3
22	B001127	5/16" Lock Nut	3
23	B001099	3/4" x 1 1/2" Bolt	2
24	B001143	3/4" Lock Nut	2
25	C104016C	10" Transition Flight- Chromed	1
26	B198856	Hopper Wheel Pin	4
27	B001433	3/8" x 1" Serrated Flange Bolt	2
28	B009700	1.25" x .25" Woodruff Key - #810	2
29	B0219992	Rubber Latch	2
30	C104022	Hopper Foam Seal	2

DUAL FLIGHT SWING HOPPER DRIVE ASSEMBLY - 10" MDSA AUGER
SERIAL NOS. 104500 - 113999



REF #	PART NO.	DESCRIPTION	QTY
1	C104017	Chain Tension Plate	2
2	B0010213	5/16" x 2" Full Thread Bolt	2
3	B001126	5/16" Nut	4
4	B017111	1" - 2 Bolt Flangette Bearing	3
5	B0010811	5/16" x 1" Carriage Bolt	6
6	B0011276	5/16" Locking Flange Nut	6
7	B009700	1.25" x .25" Woodruff Key - #810	3
8	B002073	1 1/2" OD x 1" ID x 10 Ga Machinery Bushing	AR
9	B0090022	50-15 Double Sprocket - 1" Bore	1
10	B0090019	50-21 Sprocket - 1" Bore	2
11	B0020718	1 1/4" OD x 3/8" ID Washer	3
12	B001165	3/8" Lockwasher	3
13	B0010225	3/8" x 5/8" Bolt	3
14	B0090052	R50 x 35 Pitch Roller Chain c/w Offset & Connector Link	2
15	C104021	Hopper Chain Guard	1
16	B001129	5/16" Wing Nut	2
17	B0210011	1" ID Collar	1

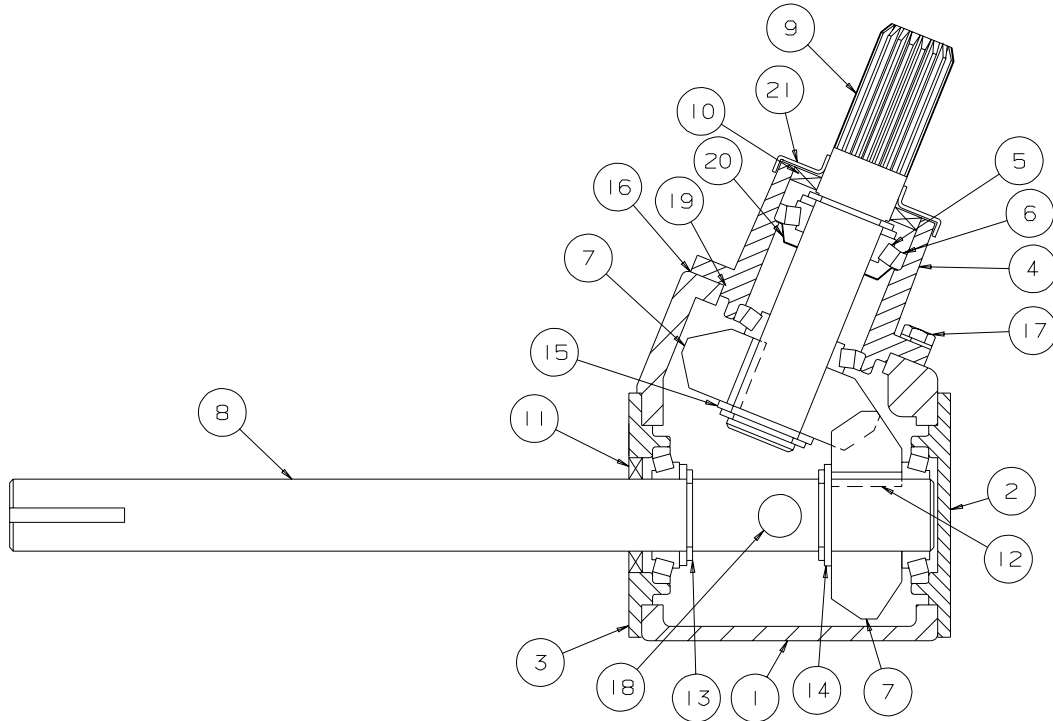
UPPER GEARBOX - 10" MDSA AUGER
SERIAL NOS. 104500 - 113999



Upper Gearbox - B003014

REF #	PART NO.	DESCRIPTION	QTY
1	B00301401	Gearbox Case	1
2	B00301402	End Cap - Closed	1
3	B00301403	End cap - Open	1
4	B00301404	Gearbox Quill Cap	1
5	B011603	Bearing Cone - LM67048	4
6	B011602	Bearing Cup - LM67010	4
7	B00301407	Gear	2
8	B00301408	Output Shaft	1
9	B00301409	Input Shaft	1
10	B00301410	Input Shaft Seal	1
11	B00301411	Output Shaft Seal	1
12	B00301412	Square Key - 1/4" x .9" lg	1
13	B00301413	Snap Ring	4
14	B00301414	Spacer	3
15	B00301415	Spacer	1
16	B00301416	Gasket	AR
17	B001009	5/16" x 3/4" Bolt	12
18	B00301418	9/16" Pipe Plug c/w O-ring	2
19	B00301419	O-ring - 71mm x 1.8mm	3
20	B00301420	Debris Shield	1
21	B00301421	Grease Washer	1

LOWER GEARBOX - 10" MDSA AUGER
SERIAL NOS. 104500 - 113999

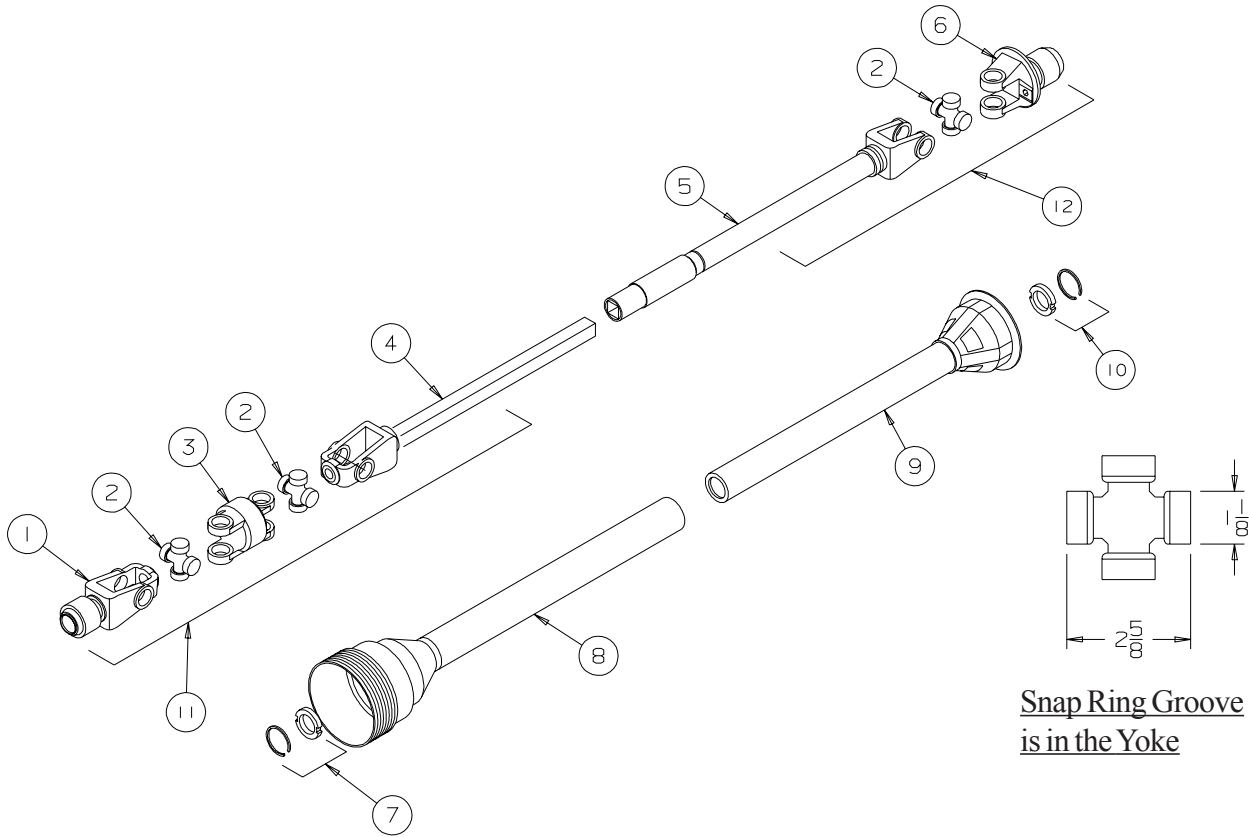


Lower Gearbox - B003015

REF #	PART NO.	DESCRIPTION	QTY
1	B00301401	Gearbox Case	1
2	B00301402	End Cap - Closed	1
3	B00301403	End cap - Open	1
4	B00301504	Gearbox Quill Cap	1
5	B011603	Bearing Cone - LM67048	4
6	B011602	Bearing Cup - LM67010	4
7	B00301407	Gear	2
8	B00301508	Output Shaft	1
9	B00301509	Input Shaft	1
10	B00301410	Input Shaft Seal	1
11	B00301411	Output Shaft Seal	1
12	B00301412	Square Key - 1/4" x .9" lg	1
13	B00301413	Snap Ring	4
14	B00301414	Spacer	3
15	B00301415	Spacer	1
16	B00301416	Gasket	AR
17	B001009	5/16" x 3/4" Bolt	12
18	B00301418	9/16" Pipe Plug c/w O-ring	2
19	B00301419	O-ring - 71mm x 1.8mm	3
20	B00301421	Grease Washer	1
21	B00301521	Debris Shield	1

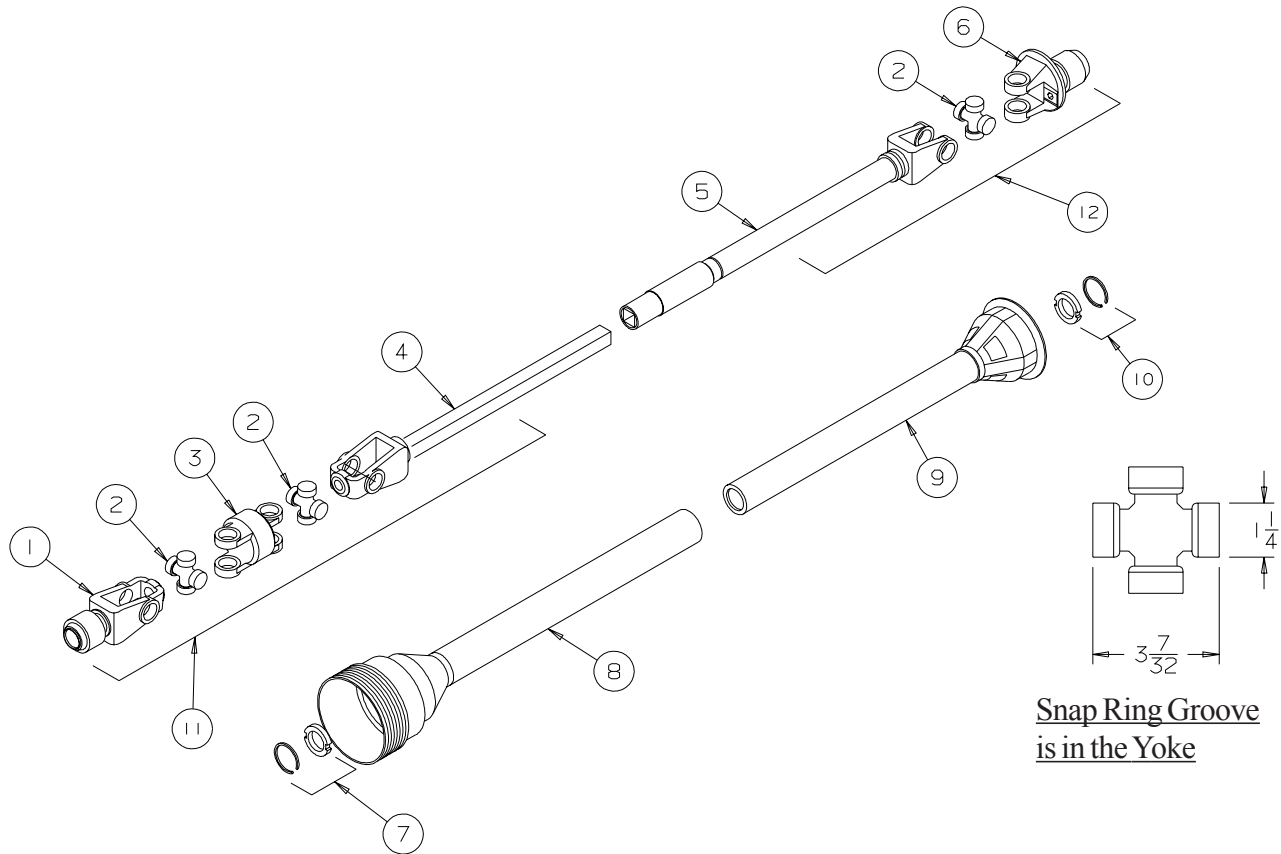
WEASLER SERIES 14R - 50 CV

B003049 - 8" & 10" MECHANICAL DRIVE SWING AWAY AUGERS



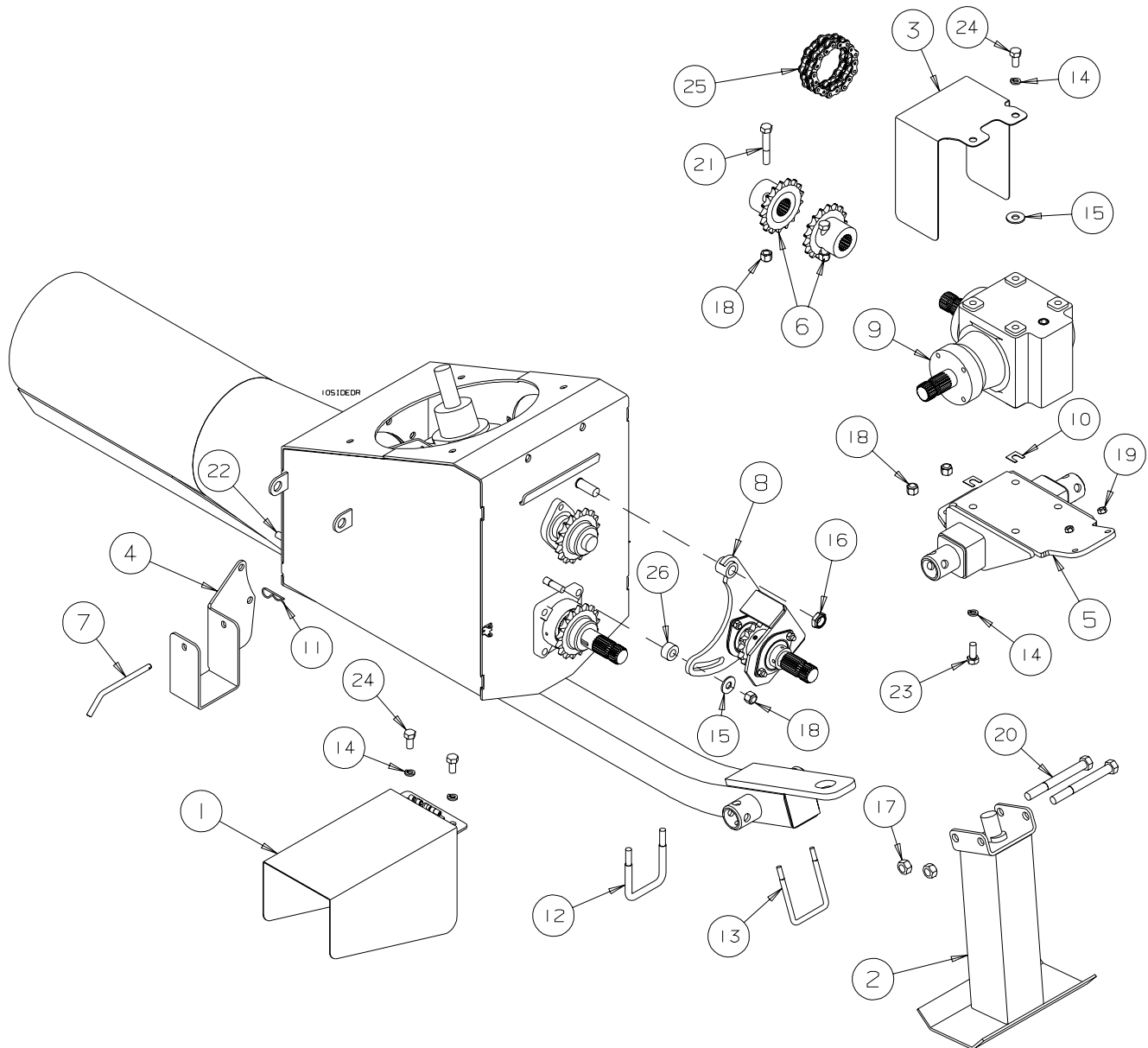
REF #	PART NO.	DESCRIPTION	QTY.
1	B003730	Implement Yoke - 21 Spline	1
2	B003710	Cross & Bearing Kit	3
3	B003731	Centre Housing	1
4	B003732	Output Yoke & Shaft - CV End	1
5	B003733	Input Yoke & Tube - Implement End	1
6	B003734	Shear Yoke Assembly - 6 Spline	2
7	B003738	Shield Bearing - CV End	1
8	B003736	Outer Shield	1
9	B003737	Inner Shield	1
10	B003776	Shield Bearing - Tractor End	1
11	B003049A	Implement Half of Shaft c/w Guard - 21 Spline	1
12	B003049T	Tractor Half of Shaft c/w Guard - 6 Spline	1
NS	B003100	Shear Bolt - 3/8" x 1" Gr.5	1
NS	B003101	Shear Nut - 3/8" Stover Lock Nut	1

WEASLER SERIES 35R - 50 CV
B0030491 - 10" HD MECHANICAL DRIVE SWING AWAY AUGERS



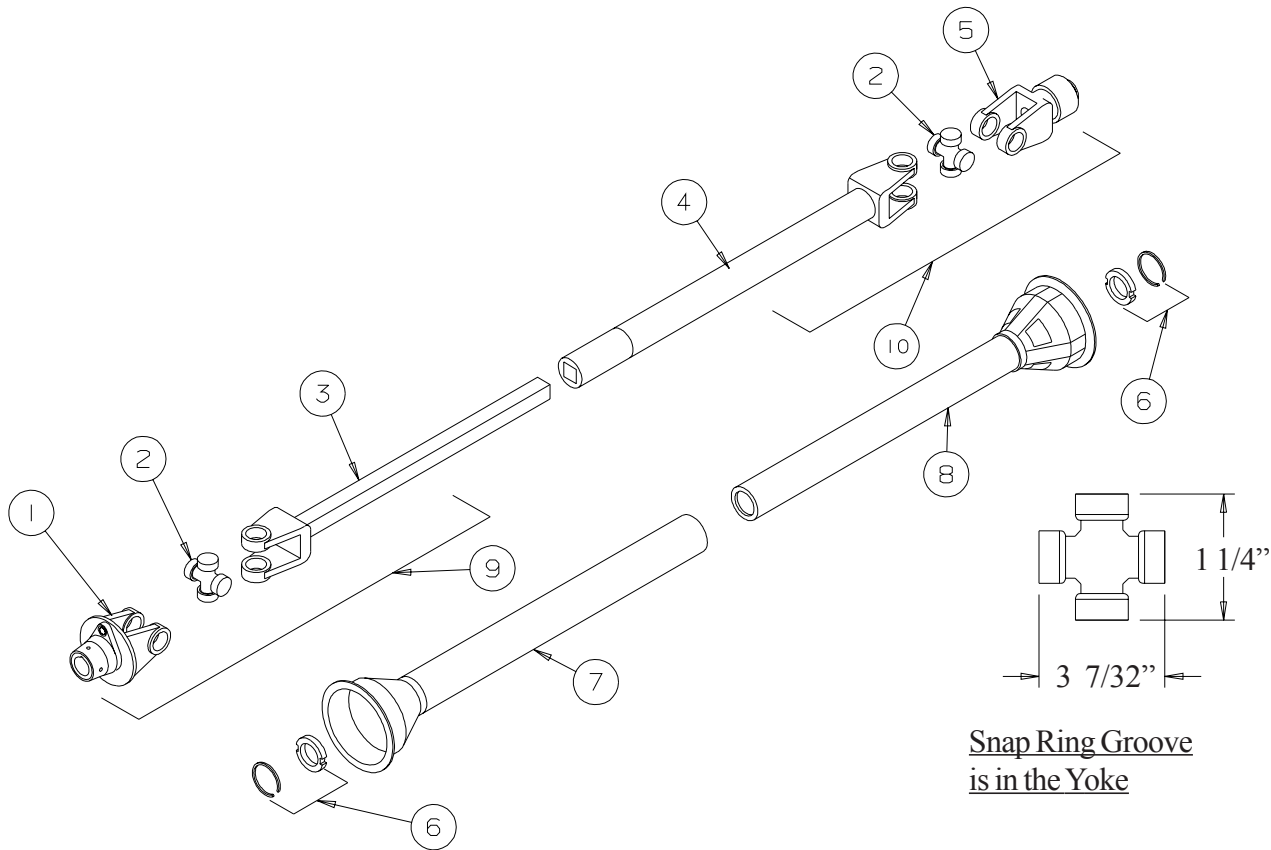
REF #	PART NO.	DESCRIPTION	QTY.
1	B003740	Implement Yoke - 21 Spline	1
2	B003715	Cross & Bearing Kit	3
3	B003741	Centre Housing	1
4	B003872	Output Yoke & Shaft - CV End	1
5	B003873	Input Yoke & Tube - Implement End	1
6	B003744	Shear Yoke Assembly - 6 Spline	2
7	B003738	Shield Bearing - CV End	1
8	B003876	Outer Shield	1
9	B003877	Inner Shield	1
10	B003745	Shield Bearing - Tractor End	1
11	B003870	Implement Half of Shaft c/w Guard - 21 Spline	1
12	B003871	Tractor Half of Shaft c/w Guard - 6 Spline	1
NS	B0010101	Shear Bolt - 5/16" x 1" Gr.8	1
NS	B003103	Shear Nut - 5/16" Stover Lock Nut	1

SIDE DRIVE KIT - 10" MDSA AUGER
SERIAL NOS. 104500 - 113999



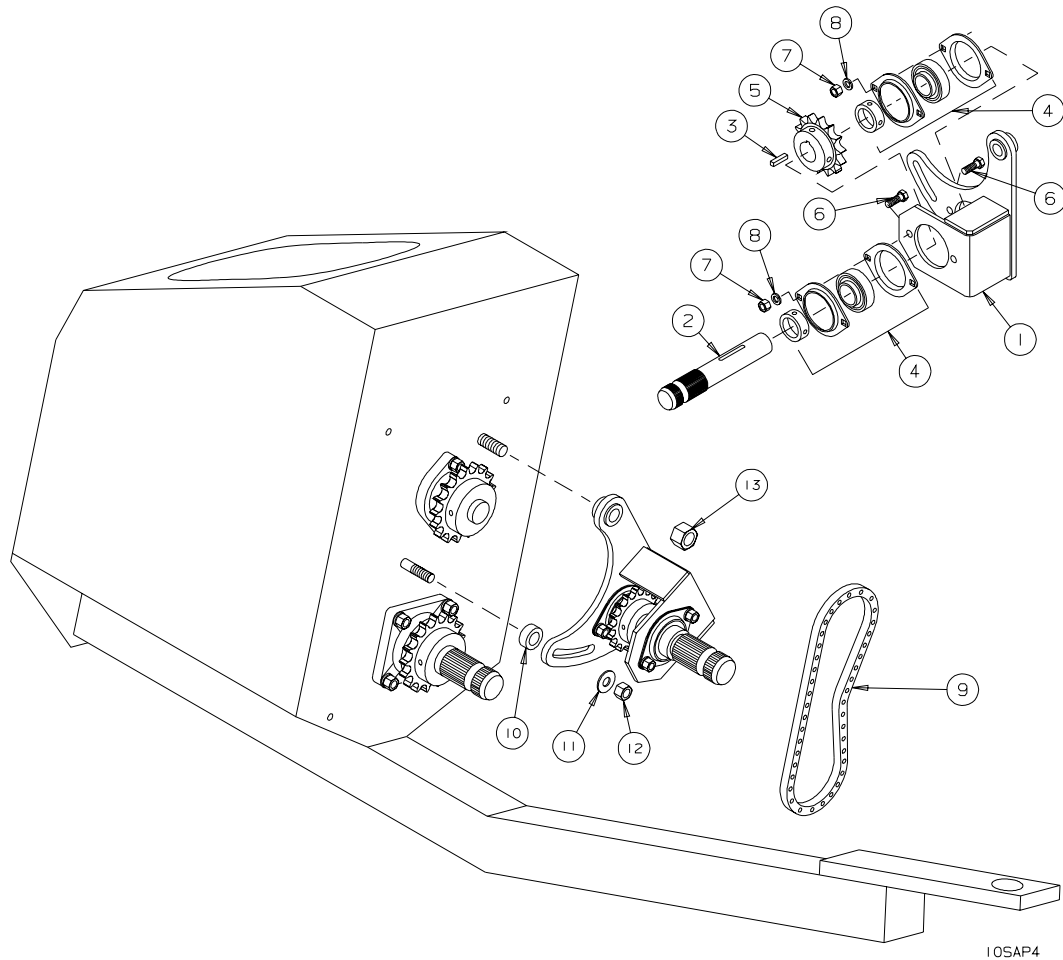
REF #	PART NO.	DESCRIPTION	QTY
1	C107074	PTO Guard	1
2	C107048	Hitch Stand	1
3	C107047	Coupler Guard	1
4	C107046	PTO Holder	1
5	C107045	Gearbox Mount	1
6	C107044	Coupler Sprocket - 60-17 x 1 3/8" - 21 Spline	2
7	B496655	PTO Storage Keeper Pin	1
8	B194210	10" Reverser Assembly	1
9	B0030281	Gearbox - 10" MDSA Side Drive	1
10	B002540	Body Shim - 33/64" x 1/32" thick	AR
11	B002092	Hairpin Clip - .094" x 2 1/4"	1
12	B002017	1/2" x 3 1/8" U-bolt x 4 3/8" long	1
13	B0020131	3/8" x 3 1/8" U-bolt x 4 9/16" long	1
14	B001167	1/2" Lockwasher	8
15	B001151	1/2" Flatwasher	1
16	B001144	3/4" Locking Jam Nut	1
17	B001139	5/8" Hex Nut	2
18	B001136	1/2" Lock Nut	4
19	B0011325	3/8" Stover Lock Nut	2
20	B0010746	5/8" x 6" Bolt	2
21	B001048	1/2" x 3" Bolt	2
22	B001042	1/2" x 1 1/2" Bolt	2
23	B001040	1/2" x 1 1/4" Bolt	4
24	B001039	1/2" x 1" Bolt	3
25	B009590	60-2 Roller Chain x 17 pitch	1
26	B194201	Reverser Spacer Bushing	1
NS	B0030471	PTO Shaft - 10" MDSA Side Drive	1

WEASLER SERIES 35E
B0030471 - 10" MDSA AUGER - SIDE DRIVE



REF #	PART NO.	DESCRIPTION	QTY.
1	B00304718	Shear Yoke - 6 Spline	1
2	B0037151	Cross & Bearing Kit	2
3	B00304713	Yoke & Shaft Ass'y	1
4	B00304714	Yoke & Tube Ass'y	1
5	B003807	Yoke Assembly - 21 Spline	1
6	B003906	Shield Bearing	2
7	B00304715	Outer Shield	1
8	B00304716	Inner Shield	1
9	B00304711	Tractor Half of Shaft c/w Guard - 6 Spline	1
10	B00304712	Implement Half of Shaft c/w Guard - 21 Spline	1
NS	B001003	Shear Bolt - 1/4" x 1" Bolt	2
NS	B0011245	Shear Nut - 1/4" Stover Lock Nut	2

REVERSING KIT - 10" MDSA AUGER
SERIAL NOS. 104500 - 113999



REF #	PART NO.	DESCRIPTION	QTY
1	B194200	Reverser - Main Bracket	1
2	B032203	Reverser - Splined Shaft	1
3	B185206	1/4" Key x 1 1/8" Long	1
4	B017120	Bearing - 1 1/4" dia - 2 Bolt Flangette	2
5	B009027	60-14 Sprocket - 1 1/4" Bore	1
6	B001024	3/8" x 1" Hex Bolt	4
7	B001131	3/8" Hex Nut	4
8	B001165	3/8" Lockwasher	4
9	NPN	R60 Chain x 41 Pitch	1
10	B194201	1/2" Spacer Bushing	1
11	B001151	1/2" Flatwasher	1
12	B001136	1/2" Locknut	1
13	B001144	3/4" Locknut	1