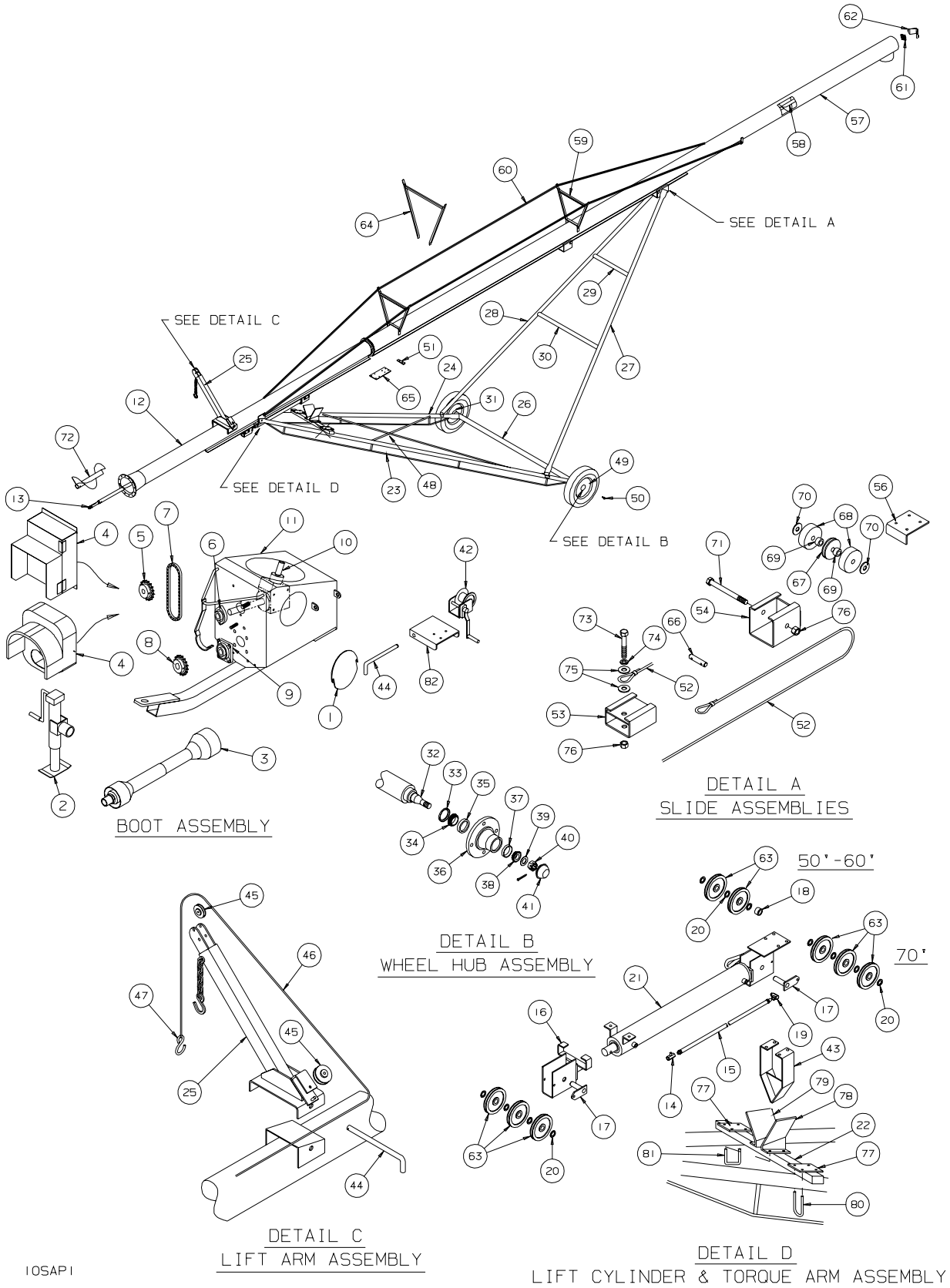


***10" MECHANICAL DRIVE SWING  
AWAY AUGER  
1998 - 2000***

**PARTS LISTS**

**SERIAL NOS. 43101A - 48850**

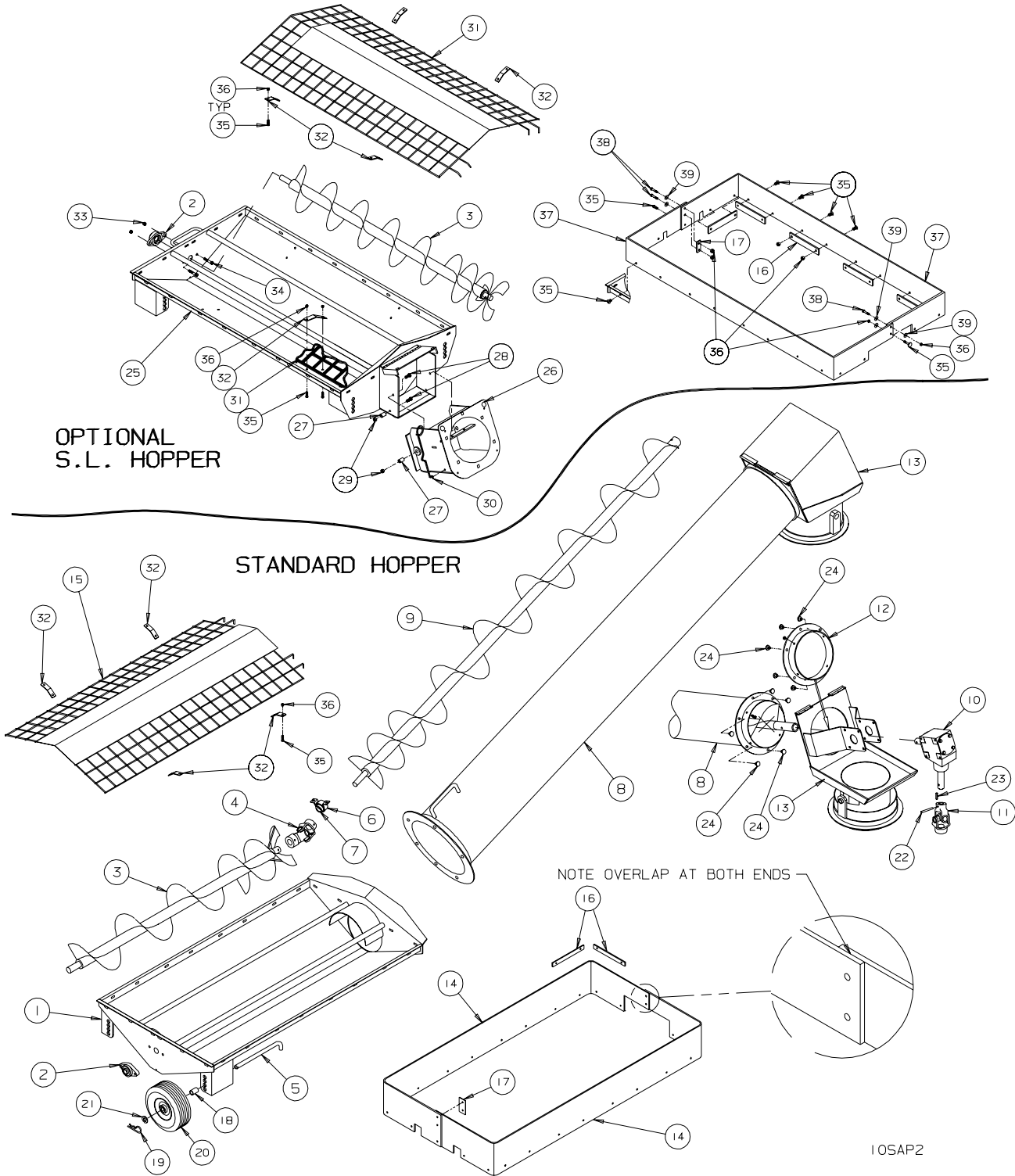
**10" MECHANICAL DRIVE SWING AWAY AUGER - 1998**  
**SERIAL NOS. 43101A - 48850**



10SAP1

#	PART #	DESCRIPTION	#	PART #	DESCRIPTION
1	B198362	Boot Access Cover	34	B011603	Inner Cone - 4 Bolt Hub - LM67048
2	B030500	Side Wind Jack	35	B011602	Inner Cup - 4 Bolt Hub - LM67010
3	B003049	PTO Shaft - Constant Velocity	36	B011605	Hub Only c/w Cups - 4 Bolt Hub
4	B027504	Boot Guard, Plastic	37	B011600	Outer Cup - 4 Bolt Hub - LM11910
4	B194006M	Front Guard, Steel	38	B011601	Outer cone - 4 Bolt Hub - LM11949
5	B009010	60-17 Sprocket - 1 1/4" Bore	39	B011676	3/4" Flatwasher - 4 Bolt Hub
6	B017200	Bearing - 1 1/4" - 2 Bolt	40	B011677	3/4" Castle Nut - 4 Bolt Hub
7	B009014	R60 Chain x 40 Pitch	41	B011500	Dust Cap - 4 Bolt Hub
8	B009028	60-17 Sprocket - 1 3/8" Bore	42	B030100	1000 lb. Brake Winch
9	B017170	Bearing - 1 3/8" - 4 Bolt	43	B198349	Wedge
10	B003015	1:1 Gearbox - 112o - 21 Spline	44	B198350	Saddle Retainer Pin
11	B198404M	10" Intake Boot - CV	45	B018080	3" OD x 1/4" Cable Sheave (4 Req'd)
12	B198002M	50' x 10" Bottom Tube - MD	46	B008010	1/4" dia. Aircraft Cable x 25' Long
12	B198061M	60' x 10" Bottom Tube - MD	47	B002019	3/8" S-hook (2 req'd)
12	B198307M	70' x 10" Bottom Tube - MD	48	B184035	50' & 60' Axle Arm Brace (2 req'd)
13	B198010CV	50' x 10" Bottom Flight - MD	48	B187333	70' Axle Arm Cross Brace (2 req'd)
13	B198011CV	60' x 10" Bottom Flight - MD	49	B011016	15" Rim - 4 Bolt (2 Req'd)
13	B198308CV	70' x 10" Bottom Flight - MD	50	B011504	Wheel Bolt
14	B019300	Lift Cylinder Shut-off Valve	51	B198012	Maximum Height Stop
15	B019085	3/8" Hydraulic Hose x 17' 6" - 50'	52	B008150	5/16" Dia. Lift Cable x 62' - 50'
15	B019091	3/8" Hydraulic Hose x 21' - 60'	52	B008250	5/16" Dia. Lift Cable x 67' - 60'
15	B019092	3/8" Hydraulic Hose x 27' - 70'	52	B008351	5/16" Dia. Lift Cable x 82' - 85'
16	B198069	Cylinder Moving End	53	B198302	Secondary Slide
17	B194013	Cylinder Pin - 2 Req'd	54	B198303	Primary Slide
18	B194110	Cylinder Pulley Spacer - 50' & 60'	56	B198355	Transport Stop
19	B019420	3/8" MPT x 3/8" FPT 90 Swv Elb.	57	B198306	Top Tube
20	B002070	1" ID x 14 Gauge Mach Bushing	58	B198009	Upper Flight
21	B019167	50' Lift Cylinder - 4" Dia.	59	B188506	Small Truss Tower
21	B019168	60' Lift Cylinder - 4" Dia.	60	B008200	50' Truss Cable - 5/16" x 31'6" (2 req'd)
21	B019169	70' Lift Cylinder - 4" Dia.	60	B008125	60' Truss Cable - 5/16" x 39' (2 req'd)
N/S	NPN	Seal kit - 4" hydraulic cylinder	60	B008100	70' Truss Cable - 5/16" x 44' (2 req'd)
22	B198345	Torque Arm	61	B017090	Head End Bearing - 1 1/4" - 4 Bolt
23	B898033	50' Axle Arm - Right	62	B198340	Bearing safety Cover
23	B198033	60' Axle Arm - Right	63	B018101	6" OD x 5/16" Cast Cable Sheave
23	B198323	70' Axle Arm - Right	64	B188505	Large Truss Tower - 70' Only
24	B898034	50' Axle Arm - Left	65	B198352	Support Plate - 70' Only
24	B198034	60' Axle Arm - Left	66	B198354	Secondary Slide Stop
24	B198324	70' Axle Arm - Left	67	B018095	3 1/2" OD x 5/16" Steel Sheave
25	B198356	50' Lift Arm - Tube Mount	68	B196014	Primary Slide Roller (2 req'd)
26	B184075	50' and 60' Axle w/o Hubs	69	B188316	Slide Spacer
26	B187327	70' Axle w/o Hubs	70	B002068	1 1/4"OD x3/4" ID x 14 GA Mach Bushing
27	B898058	50' A-frame Arm - Right	71	B001113	3/4" x 8 Bolt
27	B198059	60' A-frame Arm - Right	72	B194008M	11" Booster Flight
27	B198314	70' A-frame Arm - Right	73	B001106	3/4" x 4.5 Bolt
28	B898058	50' A-frame Arm - Left	74	B001172	3/4" Lock Washer
28	B198058	60' A-frame Arm - Left	75	B001155	3/4" Flat Washer
28	B198315	70' A-frame Arm - Left	76	B001143	3/4" Lock Nut
29	B181641	A-frame Cross Brace - Short	77	B198346	Clamp Plate
30	B181642	A-frame Cross Brace - Long	78	B198347, B199347B	Saddle Bracket-Right, Right 60'
31	B011005	4 Bolt Hub Complete c/w Bearings	79	B198348, B199348B	Saddle Bracket-Left, Left 60'
32	B011012	Spindle Only	80	B0020132	1/2" x 3.5"U-Bolt
33	B011604	Seal - 4 Bolt Hub			

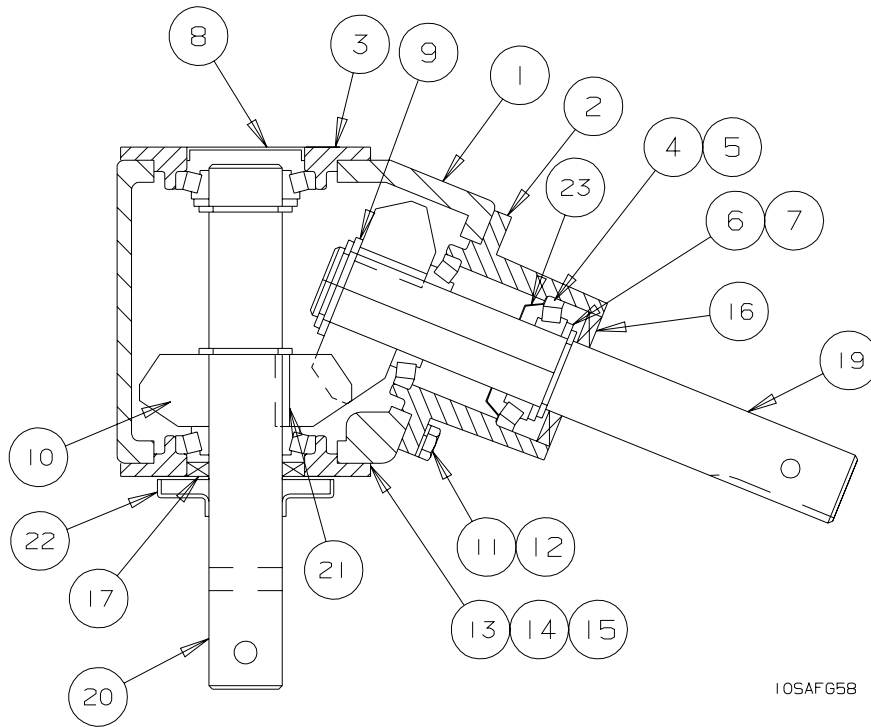
**10" MECHANICAL DRIVE SWING AWAY AUGER - 1998**  
**SERIAL NOS. 43101A -48850**



REF#	PART NO.	DESCRIPTION
1	B198050	10" Swing Hopper
2	B017050	1"- 2 Bolt Flange Bearing
3	B191051M	10" Swing Hopper Flight
4	B032113	Swing Hopper U-joint
5	B198856	Wheel Pin
6	B017030	Pressed Steel Bearing Housing
7	B017010	1" Dia. Bearing c/w Lock Collar
8	B198042M	10" Swing Auger Tube
9	B191047M	10" Swing Auger Flight
10	B003014	1:1" Gearbox - 68o
11	B032135	U-Joint - 1 1/4" Dia x 21 Spline
12	B198359	Swing Tube Pivot Ring
13	B198043	10" Swing Tube Spout Assy
14	B199101	10" Rubber Hopper Extension
15	B198357	10" SL Hopper Weldment
16	B198071	Aluminum Hold Down Strap
17	B198854	2" Aluminum Hold Down
18	B198855	Hopper Wheel Spacer
19	B002091	.177" x 3 3/4" HairPin Clip
20	B011040	Pneumatic Hopper Wheel - 10"
21	B001157	3/4" SAE Flat Washer
22	B002060	5/16" x 2 1/2" Roll Pin
23	B689169	1/4" Key x 1 1/2" Long
24	B027500	Wear Slider Bushing
25	B198050SL	10" Self-Levelling Hopper Mesh
26	B198850	Self-Levelling Pivot
27	B198853	Pivot Bushing
28	B001040	1/2" x 1 1/4" Hex Bolt
29	B001134	1/2" Stover Lock Nut
30	B021086	Self-Levelling Hopper Lid Spring Latch
31	B198357SL	10" Self-Levelling Hopper Mesh
32	B198358	Hopper Mesh Retainer
33	B0011326	3/8" Unitorque Lock Nut
34	B001083	3/8" x 1 1/2" Carriage Bolt
35	B0010811	5/16" x 1" Carriage Bolt
36	B0011276	5/16" Unitorque Lock Nut
37	B198852	Self-Levelling Rubber Hopper Extension
38	B001010	5/16" x 1" Bolt
39	B001148	5/16" Flat Washer

**10" UPPER GEAR BOX - 1998**

**SERIAL NOS. 43101A - 48850**

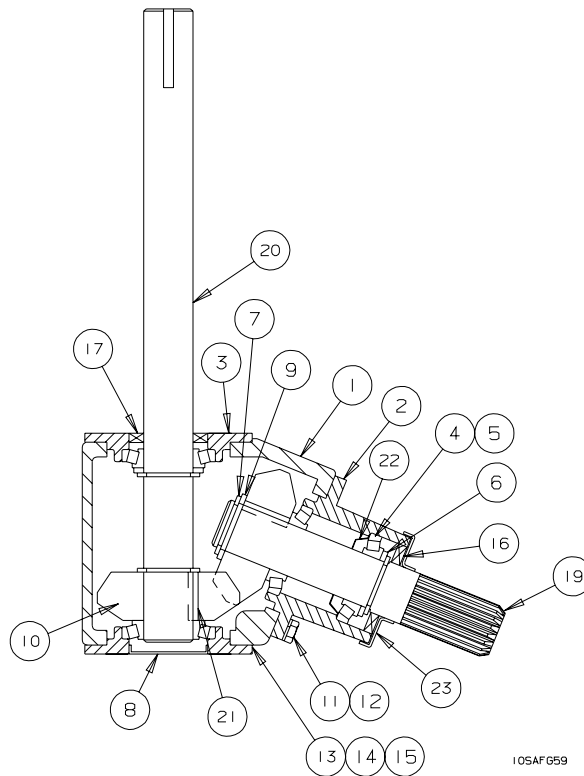


10SAFG58

REF#	PART NO.	DESCRIPTION
1	B191221	Gearbox Case
2	B191222	Bearing Housing-Sealed
3	B191223	Bearing Housing
4	B011603	Bearing Cone
5	B011602	Bearing Cup
6	B882237	Spacer
7	B191225	Snap Ring
8	B882231	Bearing Cap Plug
9	B191237	Shim - .007" x 1.25" ID
10	B191232	Gear 68 degree cut
11	B001009	5/16" x 3/4 Bolt
12	B001164	5/16" Lockwasher
13	B781357B	Shim - .005"
14	B781357N	Shim - .0075"
15	B781357Y	Shim - .010"
16	B882230	Seal
17	B882228	Seal
18	B781364	Pipe Plug- 1/4" NPT
19	B191226	Pinion Shaft
20	B191227	Cross Shaft
21	B781356	Key
22	B191235	Seal
23	B191233	Grease Washer

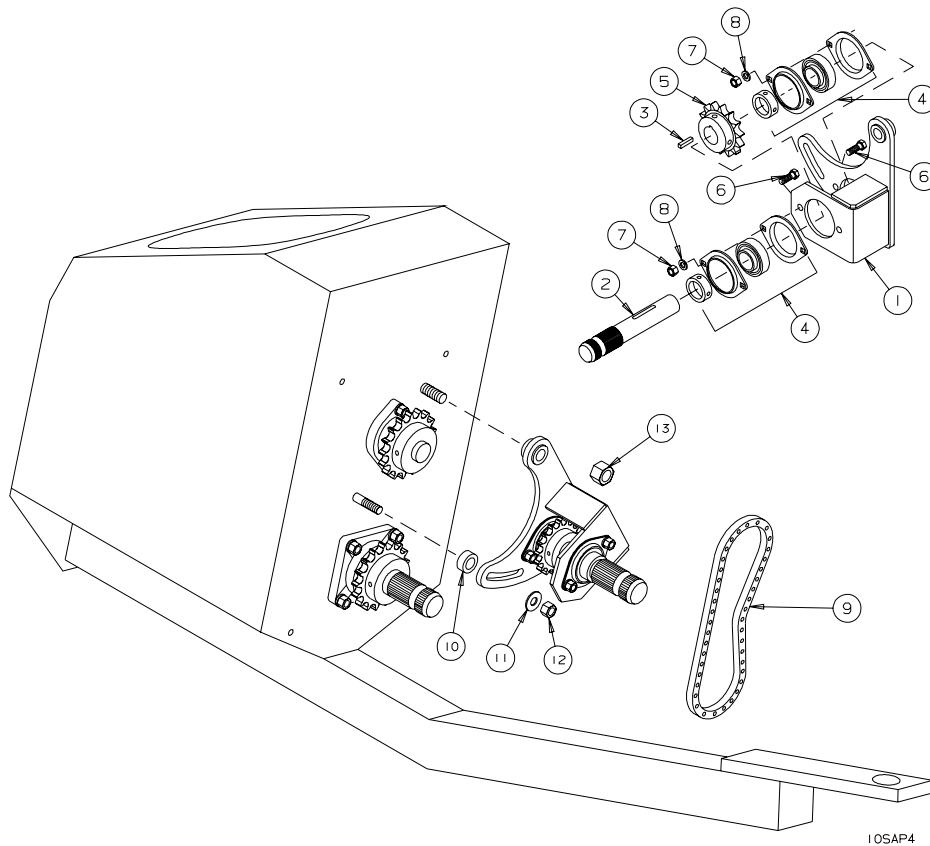
## 10" LOWER GEAR BOX - 1998

SERIAL NOS. 43101A - 48850



REF#	PART NO.	DESCRIPTION
1	B191221	Gearbox Case
2	B191222	Bearing Housing-Sealed
3	B191223	Bearing Housing
4	B011603	Bearing Cone
5	B011602	Bearing Cup
6	B882237	Spacer
7	B191225	Snap Ring
8	B882231	Bearing Cap Plug
9	B191237	Shim - .007" x 1.25" ID
10	B191232	Gear 68 degree cut
11	B001009	5/16" x 3/4 Bolt
12	B001164	5/16" Lockwasher
13	B781357B	Shim - .005"
14	B781357N	Shim - .0075"
15	B781357Y	Shim - .010"
16	B191228	Seal
17	B882228	Seal
18	B781364	Pipe Plug- 1/4" NPT
19	B191230	Pinion Shaft
20	B191231	Cross Shaft
21	B781356	Key
22	B191233	Grease Washer
23	B191234	Seal Shield

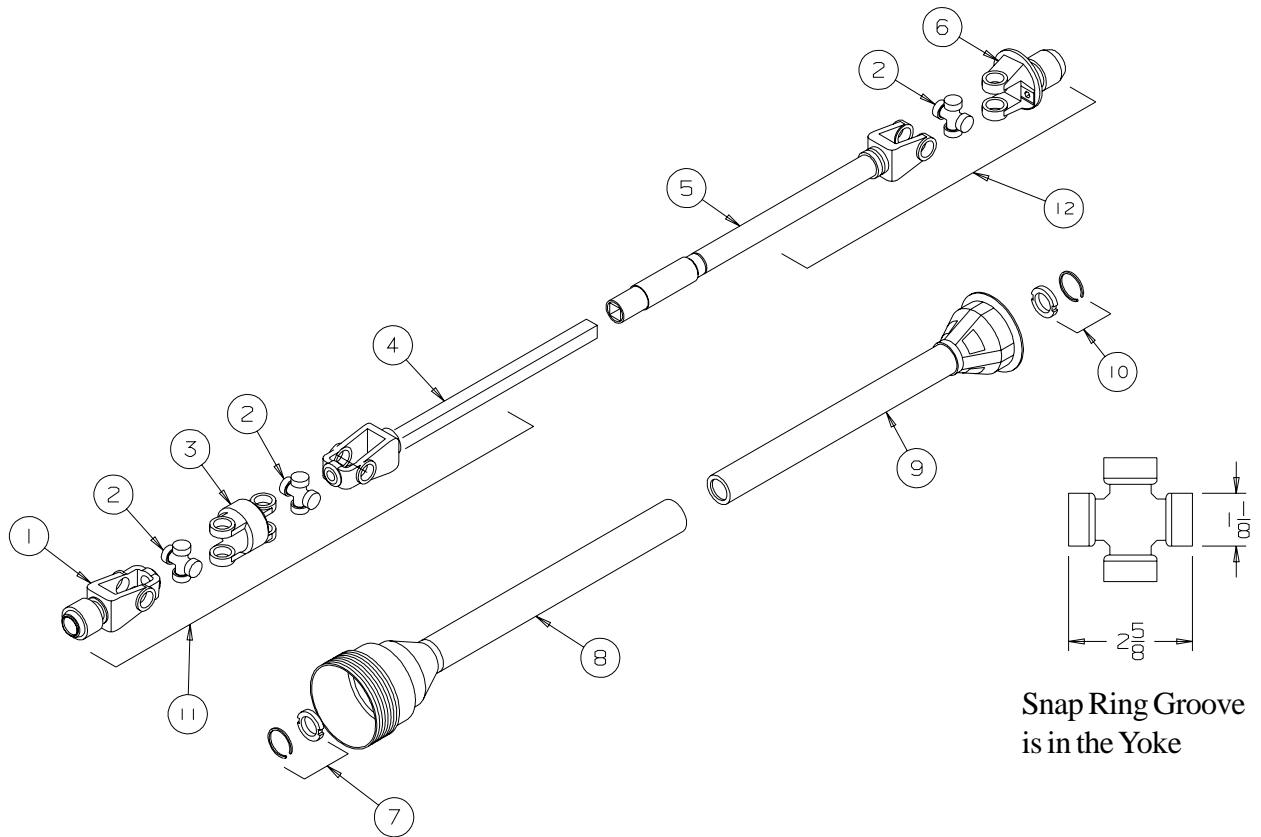
**10" REVERSING KIT - 1998**  
**SERIAL NOS. 43101A - 48850**



REF#	PART NO.	DESCRIPTION
1	B194200	Reverser - Main Bracket
2	B194203	Reverser - Splined Shaft
3	B185206	1/4" Key x 1 1/8" Long
4	B017120	Bearing - 1 1/4" 2 Bolt Flangette
5	B009027	60-14 Sprocket - 1 1/4" Bore
6	B001024	3/8" x 1" Hex Bolt
7	B001131	3/8" Hex Nut
8	B001165	3/8" Lock Washer
9	NPN	R60 Chain x 41 Pitch
10	B194201	1/2" Spacer Bushing
11	B001151	1/2" Flat Washer
12	B001136	1/2" Lock Nut
13	B001144	3/4" Lock Nut



**WEASLER SERIES 14R - 50 CV**  
**B003049 - 8" & 10" MECHANICAL DRIVE SWING AWAY AUGERS**



REF #	PART NO.	DESCRIPTION	QTY.
1	B003730	Implement Yoke - 21 Spline	1
1	B003735	Implement Yoke - 1 1/4" Bore (Needed to use CV Shaft on Pre '94 Augers)	1
2	B003710	Cross & Bearing Kit	3
3	B003731	Centre Housing	1
4	B003732	Output Yoke & Shaft - CV End	1
5	B003733	Input Yoke & Tube - Implement End	1
6	B003734	Shear Yoke Assembly - 6 Spline	2
7	B003738	Shield Bearing - CV End	1
8	B003736	Outer Shield	1
9	B003737	Inner Shield	1
10	B003776	Shield Bearing - Tractor End	1
11	B003049A	Implement Half of Shaft c/w Guard - 21 Spline	1
12	B003049T	Tractor Half of Shaft c/w Guard - 6 Spline	1
NS	B003100	Shear Bolt - 3/8" x 1" Gr.5	1
NS	B003101	Shear Nut - 3/8" Stover Lock Nut	1