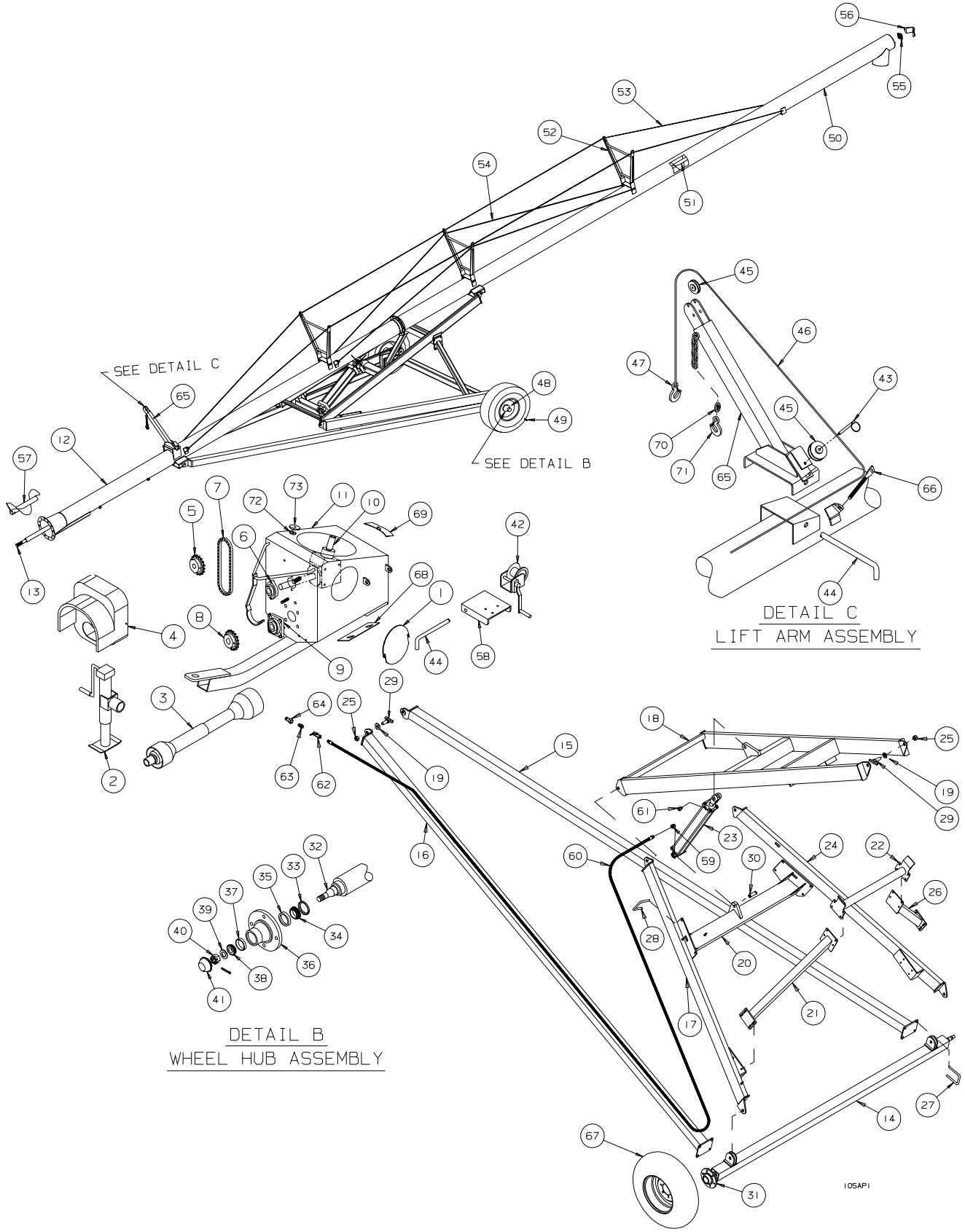


***10" MECHANICAL DRIVE SWING
AWAY AUGER***

PARTS LIST

SERIAL NOS. 79600 - 82299

TUBE & UNDERCARRIAGE ASSEMBLY - 10" MDSA AUGER
SERIAL NOS. 79600 - 82299



DETAIL B
WHEEL HUB ASSEMBLY

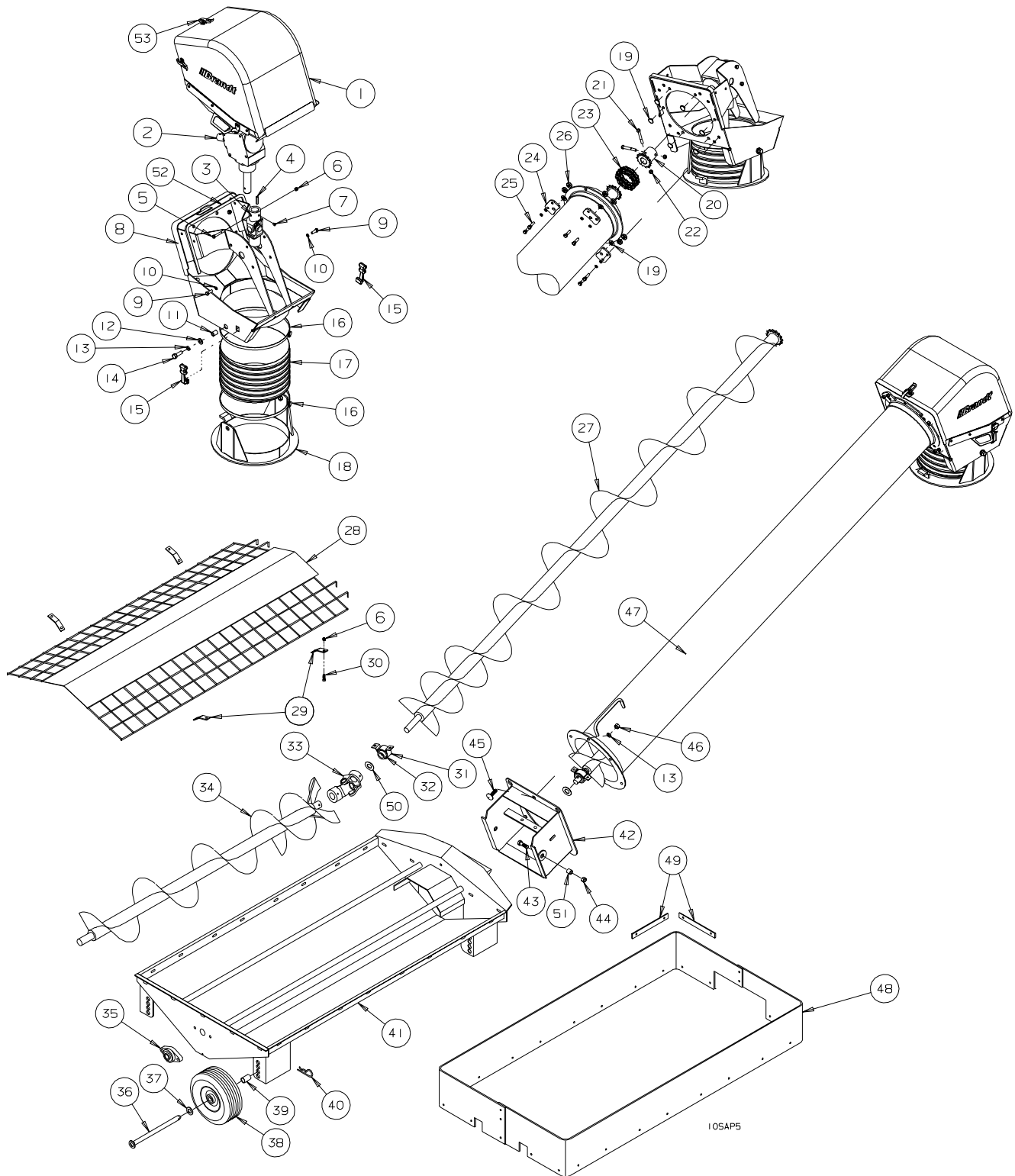
DETAIL C
LIFT ARM ASSEMBLY

105AP1

#	PART #	DESCRIPTION
1	B198362	Boot Access Cover
2	B030500	Side Wind Jack
3	B003049	PTO Shaft - Constant Velocity
4	B027504	Boot Guard, MDSA Plastic
5	B009010	60-17 Sprocket - 1 1/4" Bore
6	B017200	Bearing - 1 1/4" - 2 Bolt
7	B009014	R60 Chain x 40 Pitch
8	B009028	60-17 Sprocket - 1 3/8" Bore
9	B017160	Bearing - 1 3/8" - 4 Bolt
10	B003015	1:1 Gearbox - 112o - 21 Spline
11	B198404M	10" Intake Boot - CV
12	C100885	60' x 10" Bottom Tube - MD
12	C100890	70' x 10" Bottom Tube - MD
13	B198011CV	60' x 10" Bottom Flight - MD
13	B198308CV	70' x 10" Bottom Flight - MD
14	C100934	Scissor Axle Weld
15	C200884L	Axle Arm - Left
16	C200884R	Axle Arm - Right
17	C200883R	Lift Arm - Right
18	C200897	Ladder
19	B001159	1" Flat Washer
20	C200900	Lift Cross
21	C200727	Transport Upright - Right
22	C200729	Transport Rest
23	B019166	Hydra. Cylinder- 3.5"x 30" - 60'
NS	B019022	Seal Kit - 3.5" x 30" Cylinder
23	B0191675	Hydra. Cylinder- 4"x 30" - 70'
NS	B019025	Seal Kit - 4"x 30" Cylinder
24	C200883L	Lift Arm - Left
25	B001075	1" Lock Nut
26	C200730	Transport Upright - Left
27	B0020188	5/8"x 4" Sq. U-bolt x 5 1/2" Lg
28	B0020184	5/8"x 6" Sq. U-bolt x 3 1/2" Lg
29	C200666	Suspension Bolt
30	B019178	Hydraulic Cylinder Pin
31	B011005	4 Bolt Hub Complete c/w Bearings
32	B011012	Spindle Only
33	B011604	Seal - 4 Bolt Hub
34	B011603	Inner Cone - 4 Bolt Hub - LM67048
35	B011602	Inner Cup - 4 Bolt Hub - LM67010
36	B011605	Hub Only c/w Cups - 4 Bolt Hub
37	B011600	Outer Cup - 4 Bolt Hub - LM11910
38	B011601	Outer cone - 4 Bolt Hub - LM11949
39	B011676	3/4" Flatwasher - 4 Bolt Hub

#	PART #	DESCRIPTION
40	B011677	3/4" Castle Nut - 4 Bolt Hub
41	B011500	Dust Cap - 4 Bolt Hub
42	B030100	1000 lb. Brake Winch
43	B002105	Pin-3/8 x 2.5 -Quick Release
44	B198351	Saddle Retainer Pin
45	B018080	3" OD x 1/4" Cable Sheave (2 Req'd)
46	B194186	1/4" dia. Aircraft Cable x 29' Long
47	B002125	3/4 Ton Chain Hook
48	B011016	15" Rim - 4 Bolt (2 Req'd)
49	B011504	Wheel Bolt
50	C105886	Upper Tube Weld- 60'
50	C105888	Upper Tube Weld - 70'
51	B198009	Upper Flight Weld - 60' & 70'
52	C200735	Truss Tower
53	B0081075	3/8"x 45' Aircraft Cable - 60'
53	B008108	3/8"x 55' Aircraft Cable - 70'
54	B008300	3/8"x 22' Aircraft Cable - 60'
54	B008302	3/8"x 41'6" Aircraft Cable - 70'
55	B017090	1 1/4" Bearing - 4 Bolt
56	B198340	Bearing Safety Cover
57	B194008M	11" Booster Flight
58	B198353	Winch Bracket
59	B019416	Restrictor- #6 MORB x #6 MJIC - 1/16" Dia
60	B019288	3/8" Hydra. Hose x 48' - 3/8" MPT x #6 FJIC
61	B0193051	Breather - #6 MORB, 10 micron
62	B019300	Ball Valve - 3/8" FPT
63	B019516	Reducer Nipple - 1/2" MPT x 3/8" MPT
64	B019200	Male Pioneer Tip - 1/2" FPT
65	B198356	Lift Arm - 28" Tube (Single Flight Hopper)
65	C104029	Lift Arm - 44" Tube (Dual Flight Hopper)
66	B0020246	5/8"x 9 3/8" Eye bolt (Truss Cable)
67	B011205	P215-75R15 Tire & Rim
68	B198363	Boot Clean-Out Door
69	C100872	Swing Stop Weld
70	B0210362	5/16" Rapid Chain Link
71	B002125	3/4 Ton Chain Hook
72	C100889	Small Swing Tube Spacer
73	B198361	Large Swing Tube Retainer

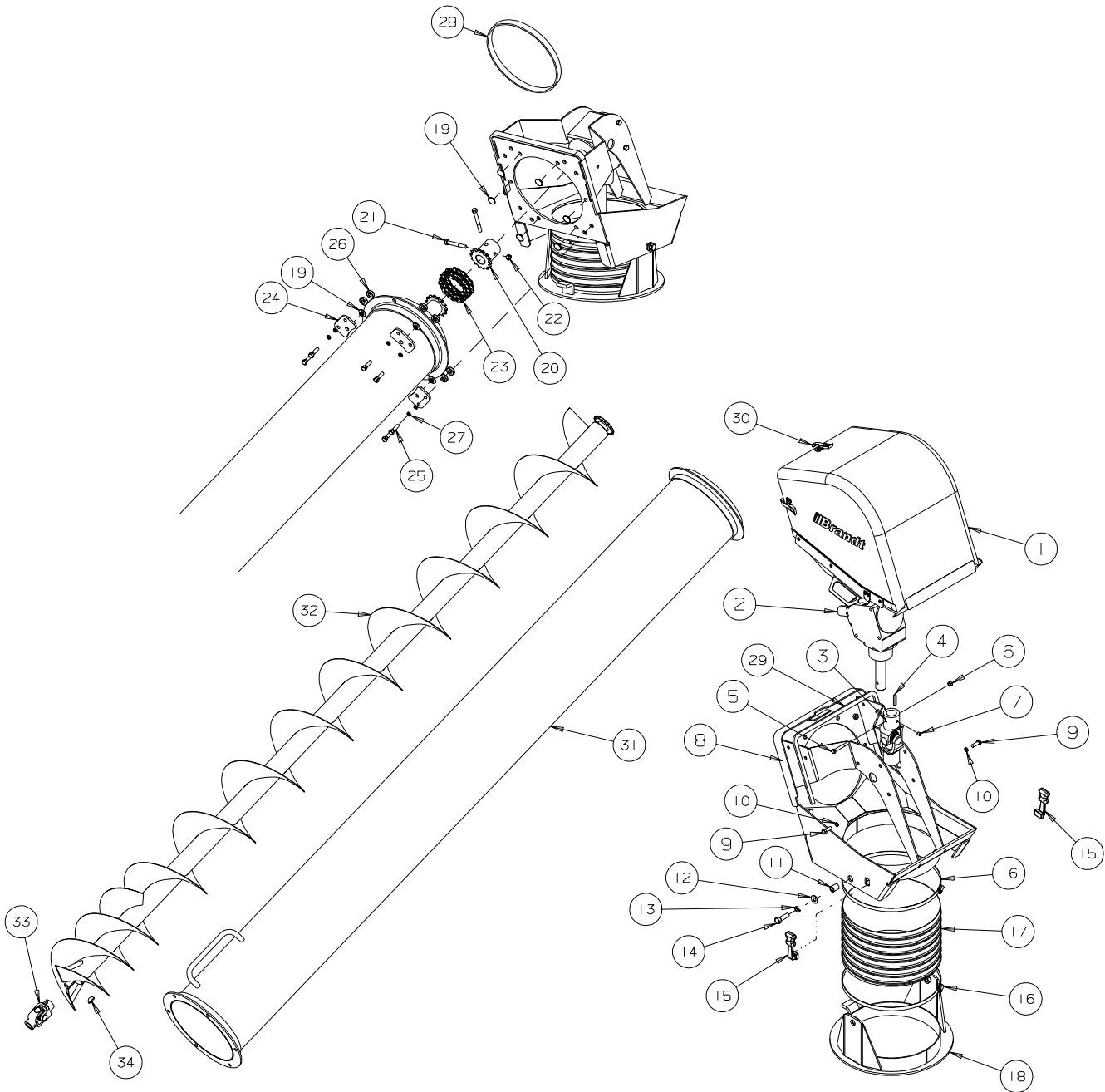
SINGLE FLIGHT SWING TUBE & HOPPER ASSEMBLY - 10" MDSA AUGER
SERIAL NOS. 79600 - 82299



#	PART #	DESCRIPTION
1	C106876	Plastic Spout Cover Assembly
NS	B0275036	Plastic Spout Cover Only
2	B003014	Upper Gear Box - 10"
3	B032135	U-joint - 1 1/4" Dia x 21 Spline
4	B689169	1/4" Key x 1 1/2" Long
5	B001015	5/16"x 2 1/2" Bolt
6	B0011275	5/16" Stover Lock Nut
7	B002041	3/8" x 3/8" Set Screw
8	C105867	10" Spout Weldment
9	B001024	3/8" x 1" Bolt
10	B001165	3/8" Lock Washer
11	C100869	Swivel Bushing
12	B001152	1/2" SAE Flatwasher
13	B001167	1/2" Lock Washer
14	B001041	1/2" x 1 1/2" Bolt
15	B0219992	Rubber Latch
16	B024213	13" Hose Clamp
17	C100879	Downspout Hose - 12" Dia x 12" Lg.
18	C100868	Lower Swivel Weldment
19	B027500	Plastic Wear Bushing
20	B0090024	50- 18 Sprocket x 1 1/4" Bore
21	B0010385	3/8" x 2 3/4" Bolt
22	B001132	3/8" Lock Nut
23	B0096017	R50-2 x 18 Pitch Roller Chain
24	C100870	Retainer Plate
25	B001025	3/8" x 1 1/4" Bolt

#	PART #	DESCRIPTION
26	B027499	Plastic Spacer Bushing
27	C102047	Swing Tube Flight
28	B198357SL	10" Hopper Mesh
29	B198358	Hopper Mesh Retainer
30	B0010811	5/16" x 1" Carriage Bolt
31	B0170305	Pressed Steel Bearing Housing
32	B0170105	1 1/4" Bearing c/w Lock Collar
33	B0321131	Hopper U-Joint - 1 1/4" Dia x 1 1/4" Dia
34	C102051M	Hopper Flight Weldment
35	B017050	1" Bearing - 2 Bolt
36	B198856	Hopper Wheel Pin
37	B001155	3/4" Flatwasher
38	B011041	10" Hopper Tire & Rim
39	B198855	Hopper Wheel Spacer
40	B002091	Hair Pin Clip - .177" x 3 3/4"
41	C102050SL	Self-levelling Hopper Weldment
42	C102850	Pivot Weldment
43	B001040	1/2" x 1 1/4" Bolt
44	B001134	1/2" Stover Lock Nut
45	B001087	1/2" x 1 1/4" Carriage Bolt
46	B001135	1/2" Nut
47	C100042	10" Swing Tube Weldment
48	B198852	Rubber Hopper Extension
49	B198071	Aluminium Hold Down Strap
50	B0162668	Bearing Cover
51	C306042	SL Pivot Bushing
52	SW1015	Spout Cover Seal
53	B021110	Small Latch Assembly

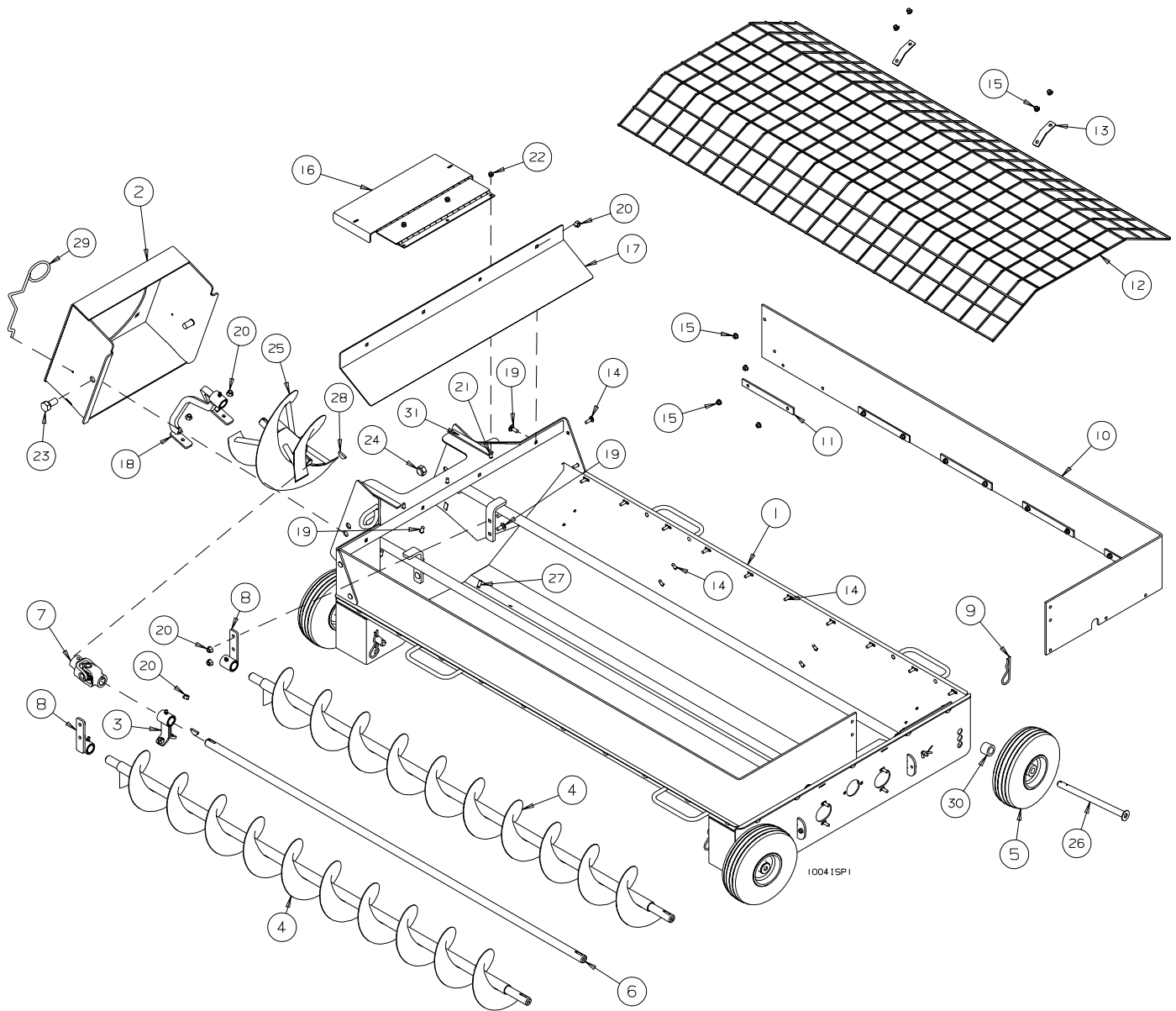
DUAL FLIGHT SWING TUBE ASSEMBLY - 10" MDSA AUGER
SERIAL NOS. 79600 - 82299



10041SP4

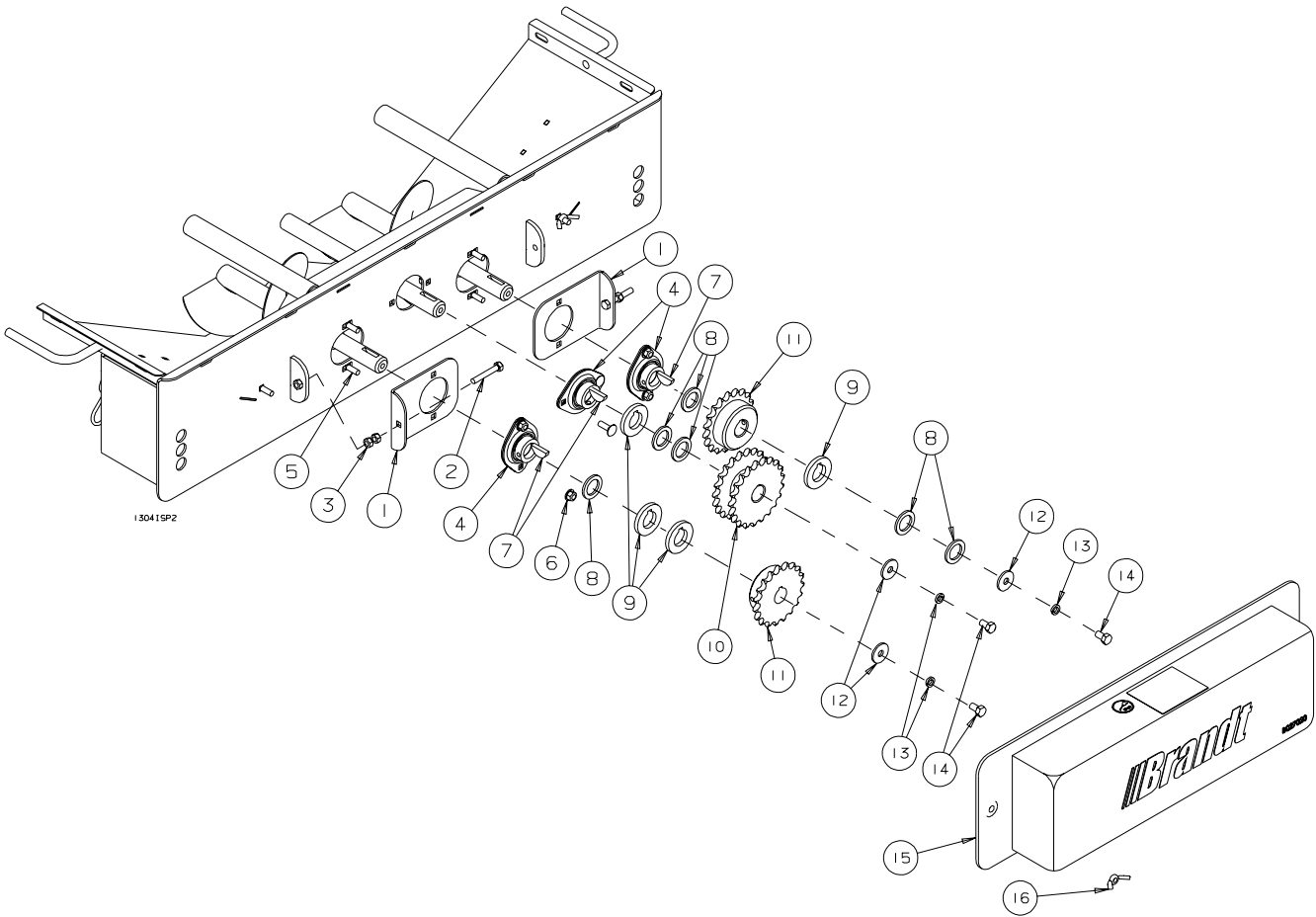
REF #	PART NO.	DESCRIPTION
1	C106876	Plastic Spout Cover Assembly
NS	B0275036	Plastic Spout Cover Only
2	B003014	Upper Gear Box - 10"
3	B032135	U-joint - 1 1/4" Dia x 21 Spline
4	B689169	1/4" Key x 1 1/2" Long
5	B001015	5/16"x 2 1/2" Bolt
6	B0011275	5/16" Stover Lock Nut
7	B002041	3/8" x 3/8" Set Screw
8	C105867	10" Spout Weldment
9	B001024	3/8" x 1" Bolt
10	B001165	3/8" Lock Washer
11	C100869	Swivel Bushing
12	B001152	1/2" SAE Flatwasher
13	B001167	1/2" Lock Washer
14	B001041	1/2" x 1 1/2" Bolt
15	B0219992	Rubber Latch
16	B024213	13" Hose Clamp
17	C100879	Downspout Hose - 12" Dia x 12" Long
18	C100868	Lower Swivel Weldment
19	B027500	Plastic Wear Bushing
20	B0090024	50- 18 Sprocket x 1 1/4" Bore
21	B0010385	3/8" x 2 3/4" Bolt
22	B001132	3/8" Lock Nut
23	B0096017	R50-2 x 18 Pitch Roller Chain
24	C100870	Retainer Plate
25	B001025	3/8" x 1 1/4" Bolt
26	B027499	Plastic Spacer Bushing
27	B001165	3/8" Lockwasher
28	C103953	10" Spout Seal Foam
29	SW1015	Spout Cover Seal
30	B021110	Small Latch Assembly
31	C104015	10" Dual Flight Swing Tube
32	C104011	10" Dual Swing Tube Flight
33	B0321125	1" x 1" U-Joint - 6R
34	B009700	1.25" x .25" Woodruff Key - #810

DUAL FLIGHT SWING HOPPER ASSEMBLY - 10" MDSA AUGER
SERIAL NOS. 79600 - 82299



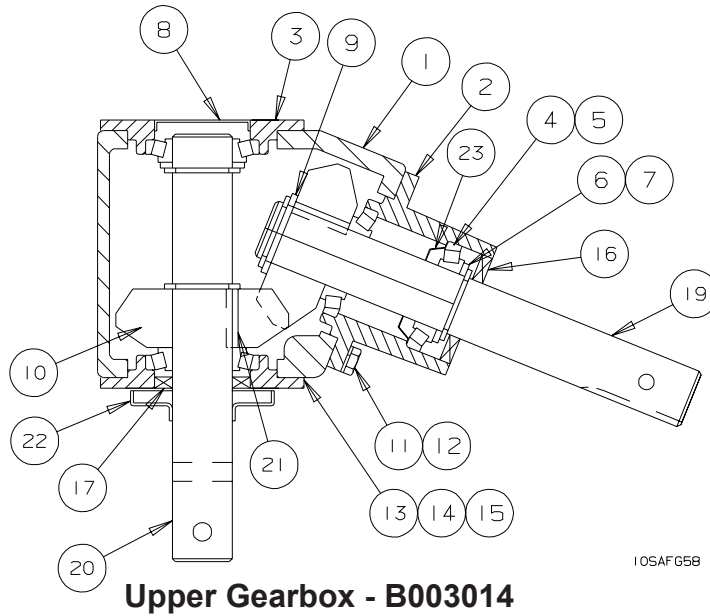
REF #	PART NO.	DESCRIPTION
1	C104001	Swing Hopper Weldment
2	C104000	10" Hopper Transition
3	C104004	Hopper Driveshaft Bearing
4	C104009	Right Hopper Flight
5	B011041	10" Dia Hopper Tire & Rim - 3/4" Bore
6	C104006	10" Hopper Driveshaft - 72 7/16" lg.
7	B0321125	1" x 1" U-Joint - 6R
8	C104005	Flight Hanger
9	B002091	.177" x 3 3/4" Hair Pin Clip
10	B0210415	Rubber Hopper Extension
11	B198071	Aluminum Hold Down Strap
12	C104010	Hopper Safety Grate
13	B198358	Hopper Mesh Retainer
14	B0010811	5/16" x 1" Carriage Bolt
15	B0011276	5/16" Flange Lock Nut
16	C104013	Transition Cover
17	C104012	Baffle Plate
18	C104007	10" Transition Flight Mount
19	B001082	3/8" x 1" Carriager Bolt
20	B001405	3/8" Serrated Flange Nut
21	B001081	5/16" x 3/4" Carriage Bolt
22	B001127	5/16" Lock Nut
23	B0010988	3/4" x 1 1/4" Bolt
24	B001143	3/4" Lock Nut
25	C104016	10" Transition Flight
26	B198856	Hopper Wheel Pin
27	B001433	3/8" x 1" Serrated Flange Bolt
28	B009700	1.25" x .25" Woodruff Key - #810
29	B021086	Cover Hold Down Spring
30	B198855	Hopper Wheel Spacer
31	C104022	Hopper Foam Seal

DUAL FLIGHT SWING HOPPER DRIVE ASSEMBLY - 10" MDSA AUGER
SERIAL NOS. 79600 - 82299



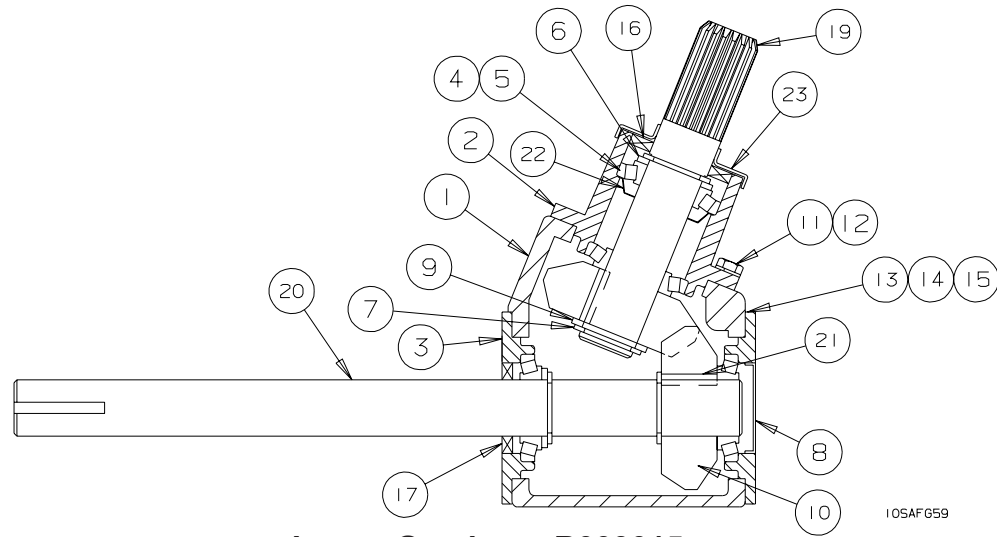
REF #	PART NO.	DESCRIPTION
1	C104017	Chain Tension Plate
2	B0010213	5/16" x 2" Full Thread Bolt
3	B001126	5/16" Nut
4	B017111	1" - 2 Bolt Flangette Bearing
5	B0010811	5/16" x 1" Carriage Bolt
6	B0011276	5/16" Locking Flange Nut
7	B009700	1.25" x .25" Woodruff Key - #810
8	B002073	1 1/2" OD x 1" ID x 10 Ga Machinery Bushing
9	C104018	Sprocket Spacer
10	B0090022	50-15 Double Sprocket - 1" Bore
11	B0090023	50-21 Sprocket - 1" Bore
12	B0020718	1 1/4" OD x 3/8" ID Washer
13	B001165	3/8" Lockwasher
14	B0010225	3/8" x 5/8" Bolt
15	C104021	Hopper Chain Guard
16	B001129	5/16" Wing Nut
NS	B0090052	R50 x 35 Pitch Roller Chain

UPPER GEARBOX - 10" MDSA AUGER
SERIAL NOS. 79600 - 82299



REF #	PART NO.	DESCRIPTION
1	B191221	Gearbox Case
2	B191222	Bearing Housing-Sealed
3	B191223	Bearing Housing
4	B011603	Bearing Cone
5	B011602	Bearing Cup
6	B882237	Spacer
7	B191225	Snap Ring
8	B882231	Bearing Cap Plug
9	B191237	Shim - .007" x 1.25" ID
10	B191232	Gear 68 degree cut
11	B001009	5/16" x 3/4 Bolt
12	B001164	5/16" Lockwasher
13	B781357B	Shim - .005"
14	B781357N	Shim - .0075"
15	B781357Y	Shim - .010"
16	B882230	Seal
17	B882228	Seal
18	B781364	Pipe Plug- 1/4" NPT
19	B191226	Pinion Shaft
20	B191227	Cross Shaft
21	B781356	Key
22	B191235	Seal Shield
23	B191233	Grease Washer

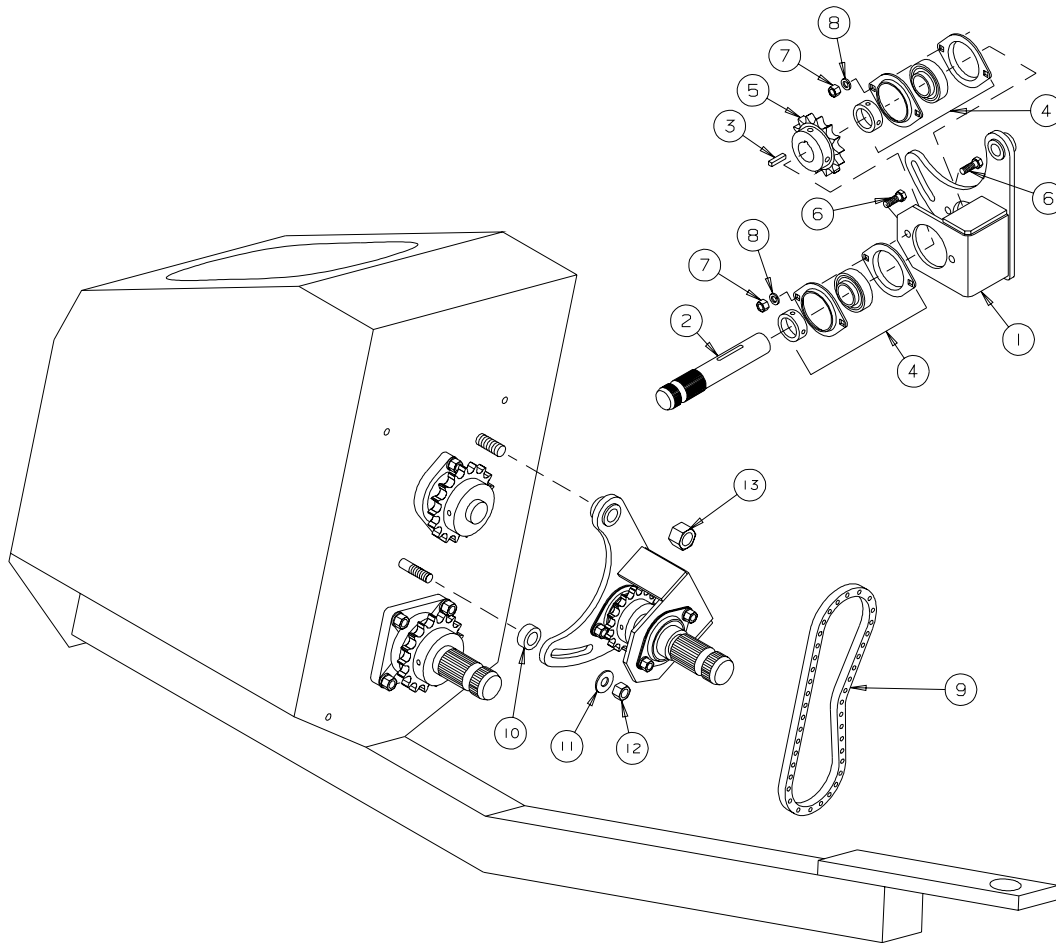
LOWER GEARBOX - 10" MDSA AUGER
SERIAL NOS. 79600 - 82299



Lower Gearbox - B003015

REF #	PART NO.	DESCRIPTION
1	B191221	Gearbox Case
2	B191222	Bearing Housing-Sealed
3	B191223	Bearing Housing
4	B011603	Bearing Cone
5	B011602	Bearing Cup
6	B882237	Spacer
7	B191225	Snap Ring
8	B882231	Bearing Cap Plug
9	B191237	Shim - .007" x 1.25" ID
10	B191232	Gear 68 degree cut
11	B001009	5/16" x 3/4 Bolt
12	B001164	5/16" Lockwasher
13	B781357B	Shim - .005"
14	B781357N	Shim - .0075"
15	B781357Y	Shim - .010"
16	B191228	Seal
17	B882228	Seal
18	B781364	Pipe Plug- 1/4" NPT
19	B191230	Pinion Shaft
20	B191231	Cross Shaft
21	B781356	Key
22	B191233	Grease Washer
23	B191234	Seal Shield

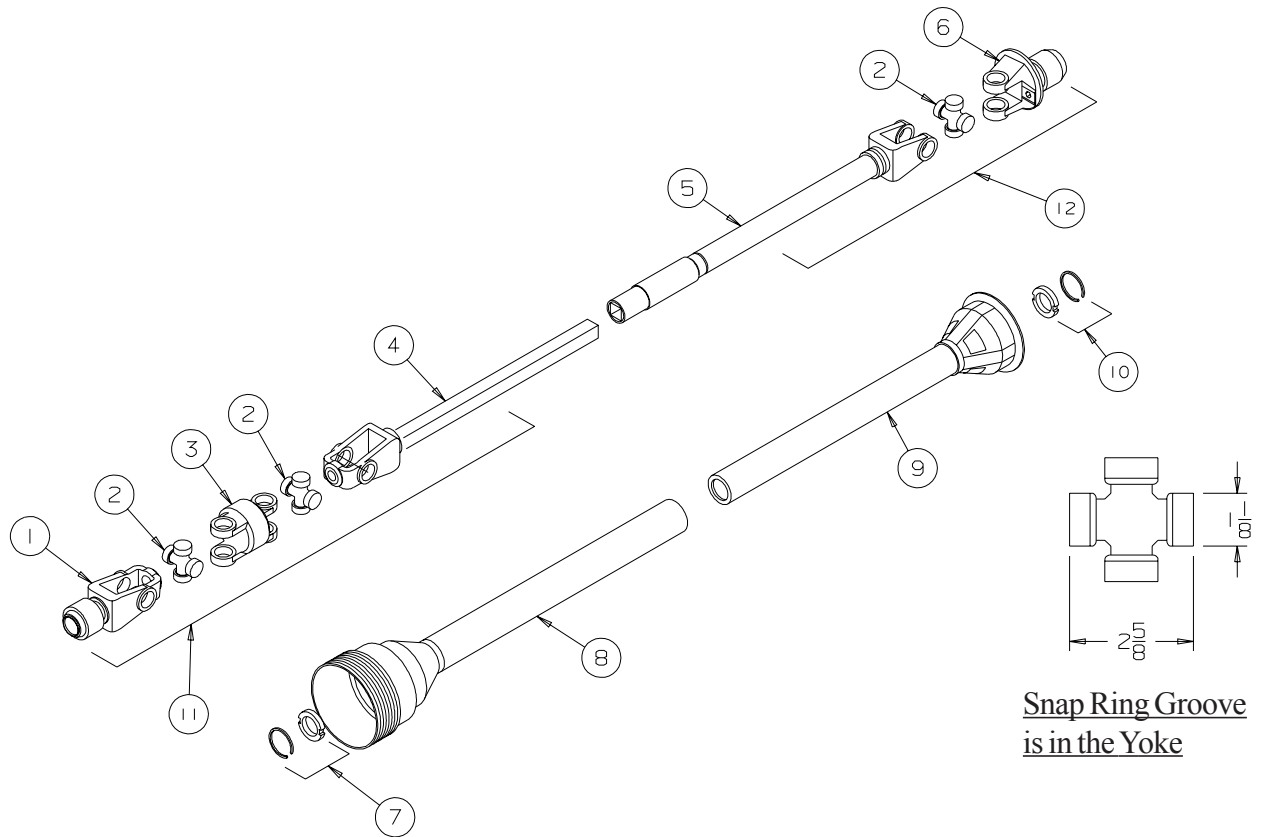
REVERSING KIT - 10" MDSA AUGER
SERIAL NOS. 79600 - 82299



10SAP4

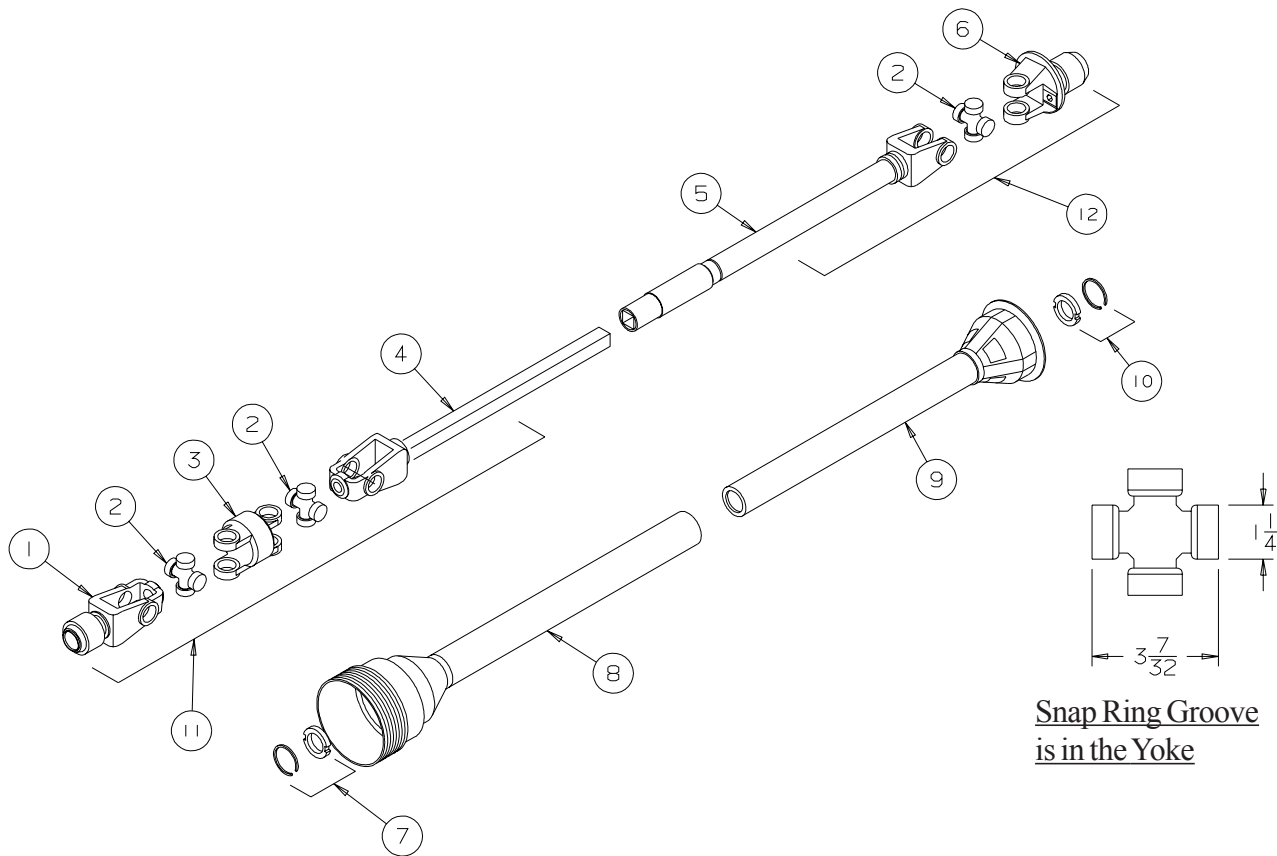
REF #	PART NO.	DESCRIPTION
1	B194200	Reverser - Main Bracket
2	B194203	Reverser - Splined Shaft
3	B185206	1/4" Key x 1 1/8" Long
4	B017120	Bearing - 1 1/4" dia - 2 Bolt Flangette
5	B009027	60-14 Sprocket - 1 1/4" Bore
6	B001024	3/8" x 1" Hex Bolt
7	B001131	3/8" Hex Nut
8	B001165	3/8" Lockwasher
9	NPN	R60 Chain x 41 Pitch
10	B194201	1/2" Spacer Bushing
11	B001151	1/2" Flatwasher
12	B001136	1/2" Locknut
13	B001144	3/4" Locknut

WEASLER SERIES 14R - 50 CV
B003049 - 8" & 10" MECHANICAL DRIVE SWING AWAY AUGERS



REF #	PART NO.	DESCRIPTION	QTY.
1	B003730	Implement Yoke - 21 Spline	1
2	B003710	Cross & Bearing Kit	3
3	B003731	Centre Housing	1
4	B003732	Output Yoke & Shaft - CV End	1
5	B003733	Input Yoke & Tube - Implement End	1
6	B003734	Shear Yoke Assembly - 6 Spline	2
7	B003738	Shield Bearing - CV End	1
8	B003736	Outer Shield	1
9	B003737	Inner Shield	1
10	B003776	Shield Bearing - Tractor End	1
11	B003049A	Implement Half of Shaft c/w Guard - 21 Spline	1
12	B003049T	Tractor Half of Shaft c/w Guard - 6 Spline	1
NS	B003100	Shear Bolt - 3/8" x 1" Gr.5	1
NS	B003101	Shear Nut - 3/8" Stover Lock Nut	1

WEASLER SERIES 35R - 50 CV
B0030491 - 10" HD MECHANICAL DRIVE SWING AWAY AUGERS



REF #	PART NO.	DESCRIPTION	QTY.
1	B003740	Implement Yoke - 21 Spline	1
2	B003715	Cross & Bearing Kit	3
3	B003741	Centre Housing	1
4	B003872	Output Yoke & Shaft - CV End	1
5	B003873	Input Yoke & Tube - Implement End	1
6	B003744	Shear Yoke Assembly - 6 Spline	2
7	B003738	Shield Bearing - CV End	1
8	B003876	Outer Shield	1
9	B003877	Inner Shield	1
10	B003745	Shield Bearing - Tractor End	1
11	B003870	Implement Half of Shaft c/w Guard - 21 Spline	1
12	B003871	Tractor Half of Shaft c/w Guard - 6 Spline	1
NS	B0010101	Shear Bolt - 5/16" x 1" Gr.8	1
NS	B003103	Shear Nut - 5/16" Stover Lock Nut	1