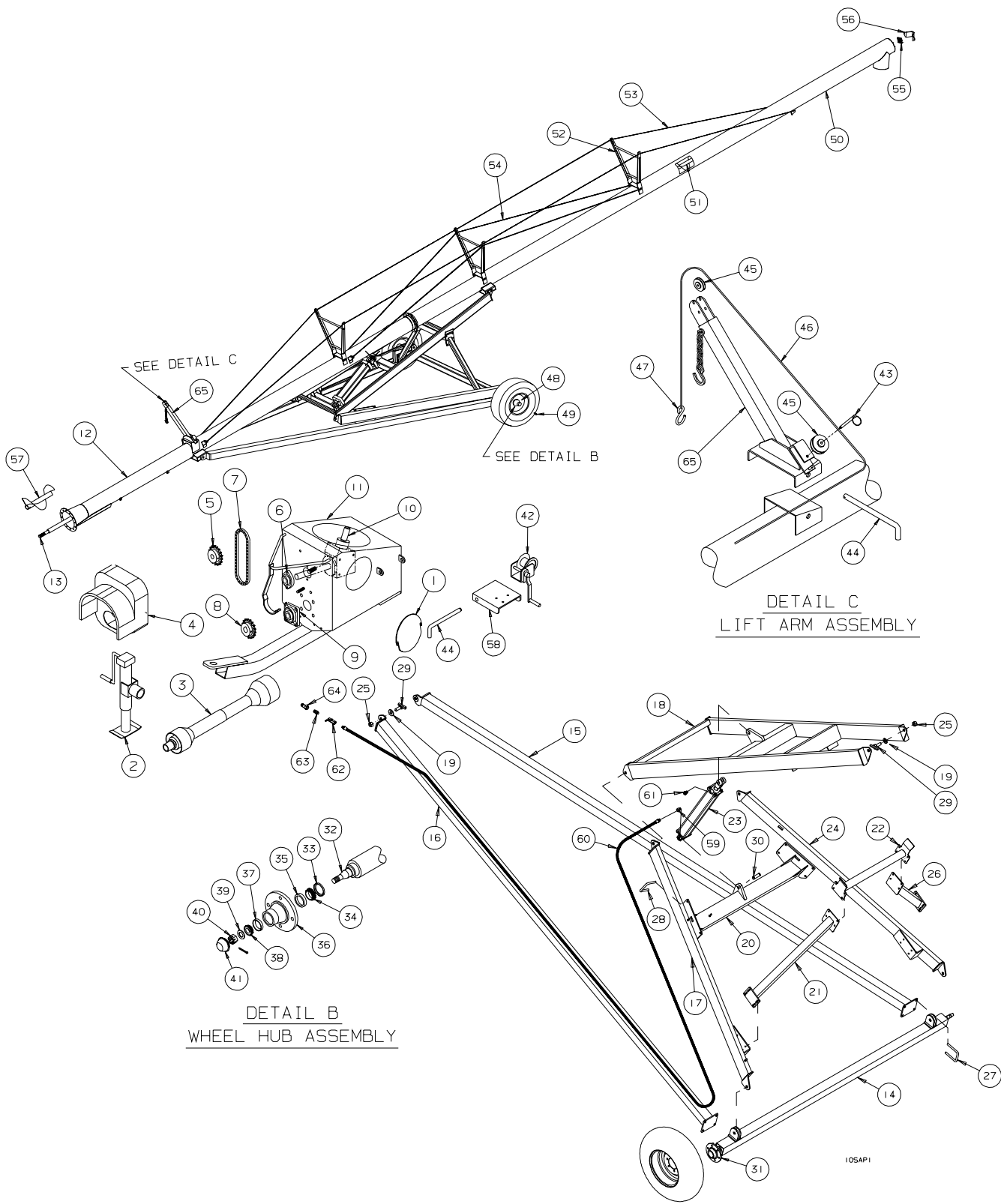


***10" MECHANICAL DRIVE SWING
AWAY AUGER***

2001

PARTS LIST

SERIAL NOS. 48851 - 69999



SEE DETAIL C

SEE DETAIL B

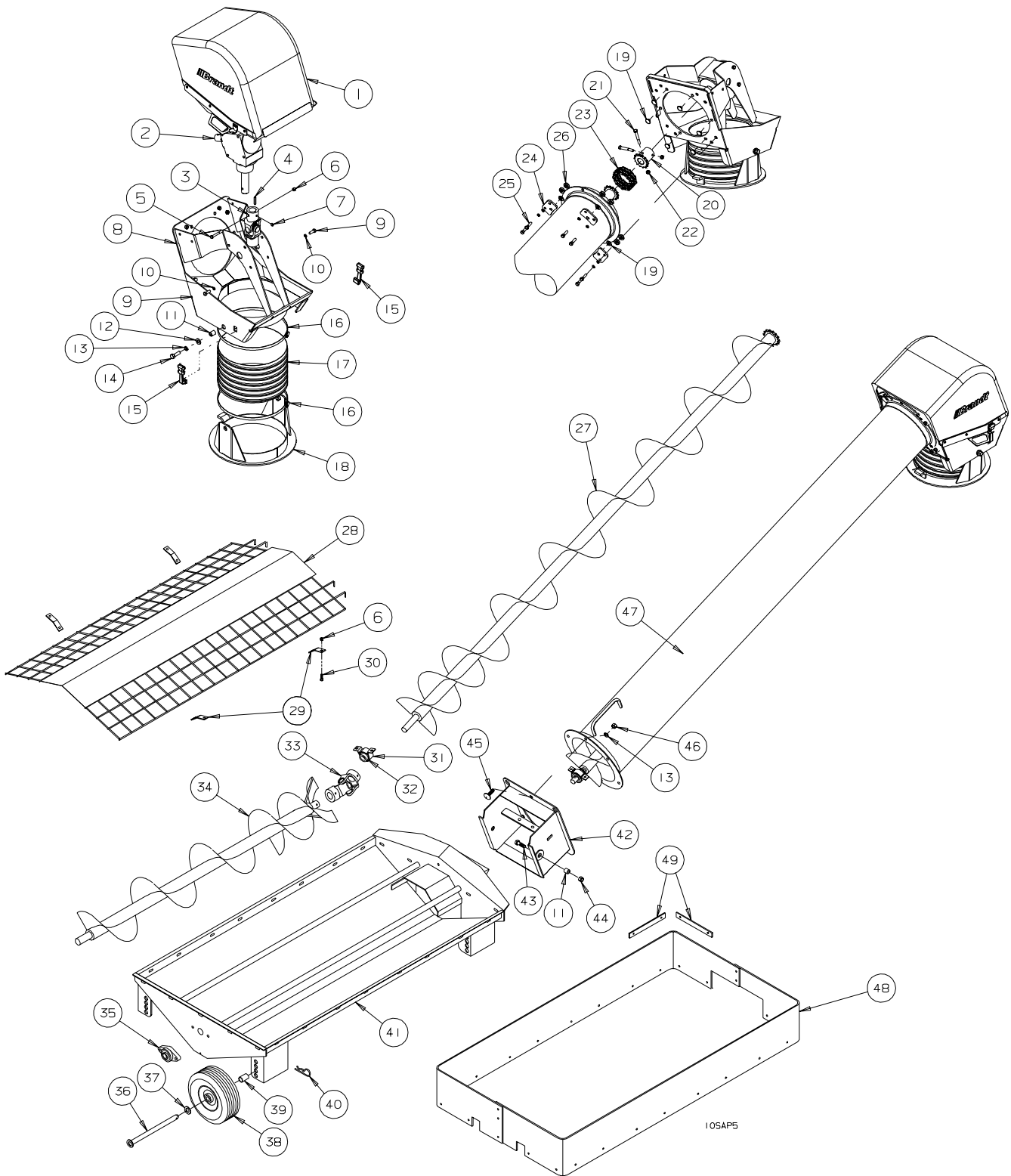
DETAIL C
LIFT ARM ASSEMBLY

DETAIL B
WHEEL HUB ASSEMBLY

105AP1

<u>#</u>	<u>PART #</u>	<u>DESCRIPTION</u>	<u>#</u>	<u>PART #</u>	<u>DESCRIPTION</u>
1	B198362	Boot Access Cover	35	B011602	Inner Cup - 4 Bolt Hub - LM67010
2	B030500	Side Wind Jack	36	B011605	Hub Only c/w Cups - 4 Bolt Hub
3	B003049	PTO Shaft - Constant Velocity	37	B011600	Outer Cup - 4 Bolt Hub - LM11910
4	B027504	Boot Guard, MDSA Plastic	38	B011601	Outer cone - 4 Bolt Hub - LM11949
5	B009010	60-17 Sprocket - 1 1/4" Bore	39	B011676	3/4" Flatwasher - 4 Bolt Hub
6	B017200	Bearing - 1 1/4" - 2 Bolt	40	B011677	3/4" Castle Nut - 4 Bolt Hub
7	B009014	R60 Chain x 40 Pitch	41	B011500	Dust Cap - 4 Bolt Hub
8	B009028	60-17 Sprocket - 1 3/8" Bore	42	B030100	1000 lb. Brake Winch
9	B017170	Bearing - 1 3/8" - 4 Bolt	43	B002105	Pin-3/8 x 2.5 -Quick Release
10	B003015	1:1 Gearbox - 112o - 21 Spline	44	B198350	Saddle Retainer Pin
11	B198404M	10" Intake Boot - CV	45	B018080	3" OD x 1/4" Cable Sheave (4 Req'd)
12	C100885	60' x 10" Bottom Tube - MD	46	B008010	1/4" dia. Aircraft Cable x 25' Long
12	C100890	70' x 10" Bottom Tube - MD	47	B002019	3/8" S-hook (2 req'd)
13	B198011CV	60' x 10" Bottom Flight - MD	48	B011016	15" Rim - 4 Bolt (2 Req'd)
13	B198308CV	70' x 10" Bottom Flight - MD	49	B011504	Wheel Bolt
14	C100934	Scissor Axle Weld	50	C100886	Upper Tube Weld- 60'
15	C200884L	Axle Arm - Left	50	C100888	Upper Tube Weld - 70'
16	C200884R	Axle Arm - Right	51	B198009	Upper Flight Weld - 60' & 70'
17	C200883R	Lift Arm - Right	52	C200735	Truss Tower
18	C200897	Ladder	53	B008301	3/8"x 90' Aircraft Cable - 60'
19	B001159	1" Flat Washer	53	B008303	3/8"x 110' Aircraft Cable - 70'
20	C200900	Lift Cross	54	B008300	3/8"x 22' Aircraft Cable - 60'
21	C200727	Transport Upright - Right	54	B008302	3/8"x 41'6" Aircraft Cable - 70'
22	C200729	Transport Rest	55	B017090	1 1/4" Bearing - 4 Bolt
23	B019166	Hydra. Cylinder- 3.5"x 30" - 60'	56	B198340	Bearing Safety Cover
23	B0191675	Hydra. Cylinder- 4"x 30" - 70'	57	B194008M	11" Booster Flight
24	C200883L	Lift Arm - Left	58	B198353	Winch Bracket
25	B001075	1" Lock Nut	59	B019416	Restrictor- #6 MORB x #6 MJIC - 1/16" Dia
26	C200730	Transport Upright - Left	60	B019288	3/8" Hydra. Hose x 48' - 3/8" MPT x #6 FJIC
27	B0020188	5/8"x 4" Sq. U-bolt x 5 1/2" Lg	61	B0193051	Breather - #6 MORB
28	B0020184	5/8"x 6" Sq. U-bolt x 3 1/2" Lg	62	B019300	Ball Valve - 3/8" FPT
29	C200666	Suspension Bolt	63	B019516	Reducer Nipple - 1/2" MPT x 3/8" MPT
30	B019178	Hydraulic Cylinder Pin	64	B019200	Male Pioneer Tip - 1/2" FPT
31	B011005	4 Bolt Hub Complete c/w Bearings	65	B198356	Lift Arm Weld
32	B011012	Spindle Only			
33	B011604	Seal - 4 Bolt Hub			
34	B011603	Inner Cone - 4 Bolt Hub - LM67048			

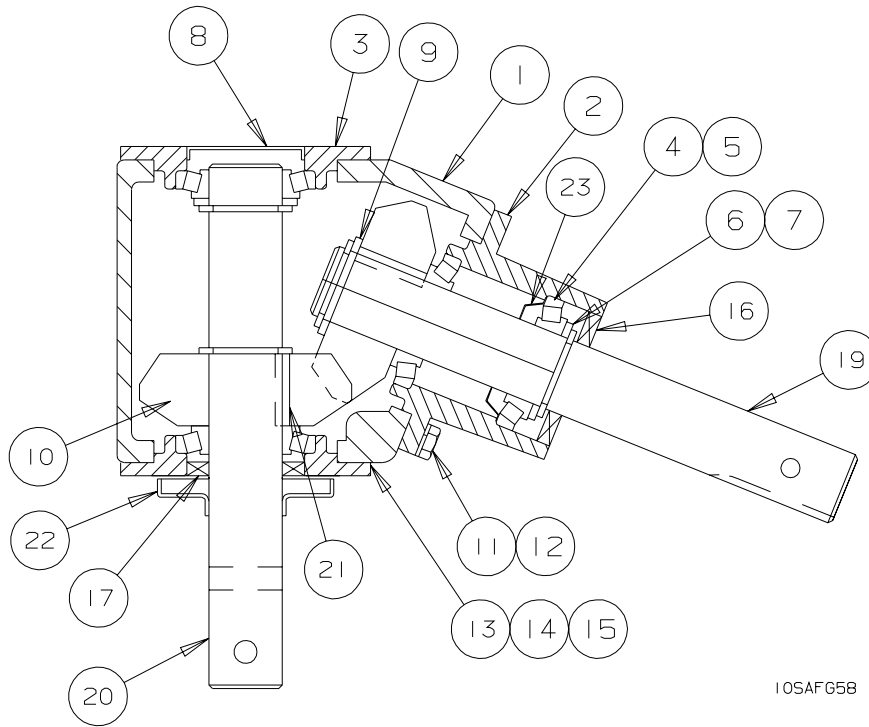
Swing Auger



10SAP5

<u>#</u>	<u>PART #</u>	<u>DESCRIPTION</u>	<u>#</u>	<u>PART #</u>	<u>DESCRIPTION</u>
1	C100876	Plastic Spout Cover Assembly	26	B027499	Plastic Spacer Bushing
NS	B027503	Plastic Spout Cover Only	27	C100047	Swing Tube Flight
2	B003014	Upper Gear Box - 10"	28	B198357SL	10" Hopper Mesh
3	B032135	U-joint - 1 1/4" Dia x 21 Spline	29	B198358	Hopper Mesh Retainer
4	B689169	1/4" Key x 1 1/2" Long	30	B0010811	5/16" x 1" Carriage Bolt
5	B001015	5/16"x2 1/2" Bolt	31	B017030	Pressed Steel Bearing Housing
6	B0011275	5/16" Stover Lock Nut	32	B017010	1" Bearing c/w Lock Collar
7	B002041	3/8" x 3/8" Set Screw	33	B032113	Hopper U-Joint - 1" Dia x 1" Dia
8	C100867	10" Spout Weldment	34	C101051M	Hopper Flight Weldment
9	B001024	3/8" x 1" Bolt	35	B017050	1" Bearing - 2 Bolt
10	B001165	3/8" Lock Washer	36	B198856	Hopper Wheel Pin
11	C100869	Swivel Bushing	37	B001155	3/4" Flatwasher
12	B001152	1/2" SAE Flatwasher	38	B011041	10" Hopper Tire & Rim
13	B001167	1/2" Lock Washer	39	B198855	Hopper Wheel Spacer
14	B001041	1/2" x 1 1/2" Bolt	40	B002091	Hair Pin Clip - .177" x 3 3/4"
15	B0219992	Rubber Latch	41	B198050SL	Self-levelling Hopper Weldment
16	B024213	13" Hose Clamp	42	B198850	Pivot Weldment
17	C100879	Downspout Hose - 12" Dia x 12" Long	43	B001040	1/2" x 1 1/4" Bolt
18	C100868	Lower Swivel Weldment	44	B001134	1/2" Stover Lock Nut
19	B027500	Plastic Wear Bushing	45	B001087	1/2" x 1 1/4" Carriage Bolt
20	B0090025	50- 14 Sprocket x 1 1/4" Bore	46	B001135	1/2" Nut
21	B0010385	3/8" x 2 3/4" Bolt	47	C100042	10" Swing Tube Weldment
22	B001132	3/8" Lock Nut	48	B198852	Rubber Hopper Extension
23	B0096015	R50-2 x 14 Pitch Roller Chain	49	B198071	Aluminium Hold Down Strap
24	C100870	Retainer Plate			
25	B001025	3/8" x 1 1/4" Bolt			

10" UPPER GEAR BOX - 2001
SERIAL NOS. 48851 - 69999

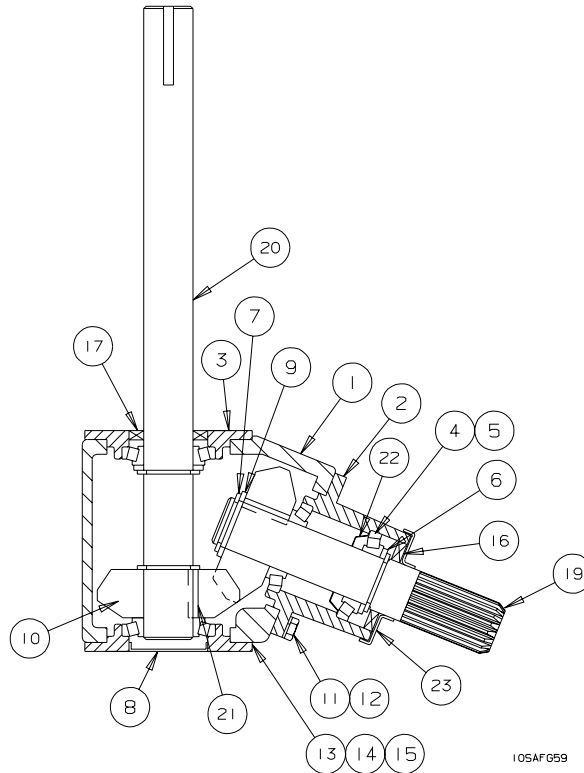


10SAFG58

REF#	PART NO.	DESCRIPTION
1	B191221	Gearbox Case
2	B191222	Bearing Housing-Sealed
3	B191223	Bearing Housing
4	B011603	Bearing Cone
5	B011602	Bearing Cup
6	B882237	Spacer
7	B191225	Snap Ring
8	B882231	Bearing Cap Plug
9	B191237	Shim - .007" x 1.25" ID
10	B191232	Gear 68 degree cut
11	B001009	5/16" x 3/4 Bolt
12	B001164	5/16" Lockwasher
13	B781357B	Shim - .005"
14	B781357N	Shim - .0075"
15	B781357Y	Shim - .010"
16	B882230	Seal
17	B882228	Seal
18	B781364	Pipe Plug- 1/4" NPT
19	B191226	Pinion Shaft
20	B191227	Cross Shaft
21	B781356	Key
22	B191235	Seal
23	B191233	Grease Washer

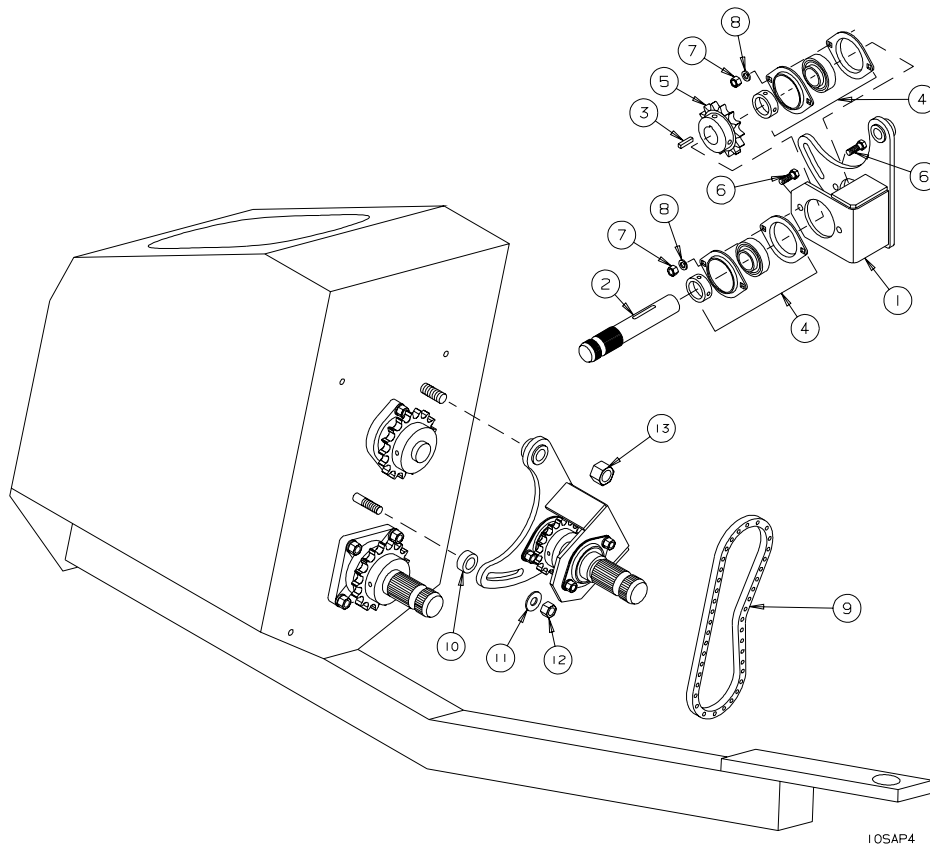
10" LOWER GEAR BOX - 2001

SERIAL NOS. 48851 - 69999



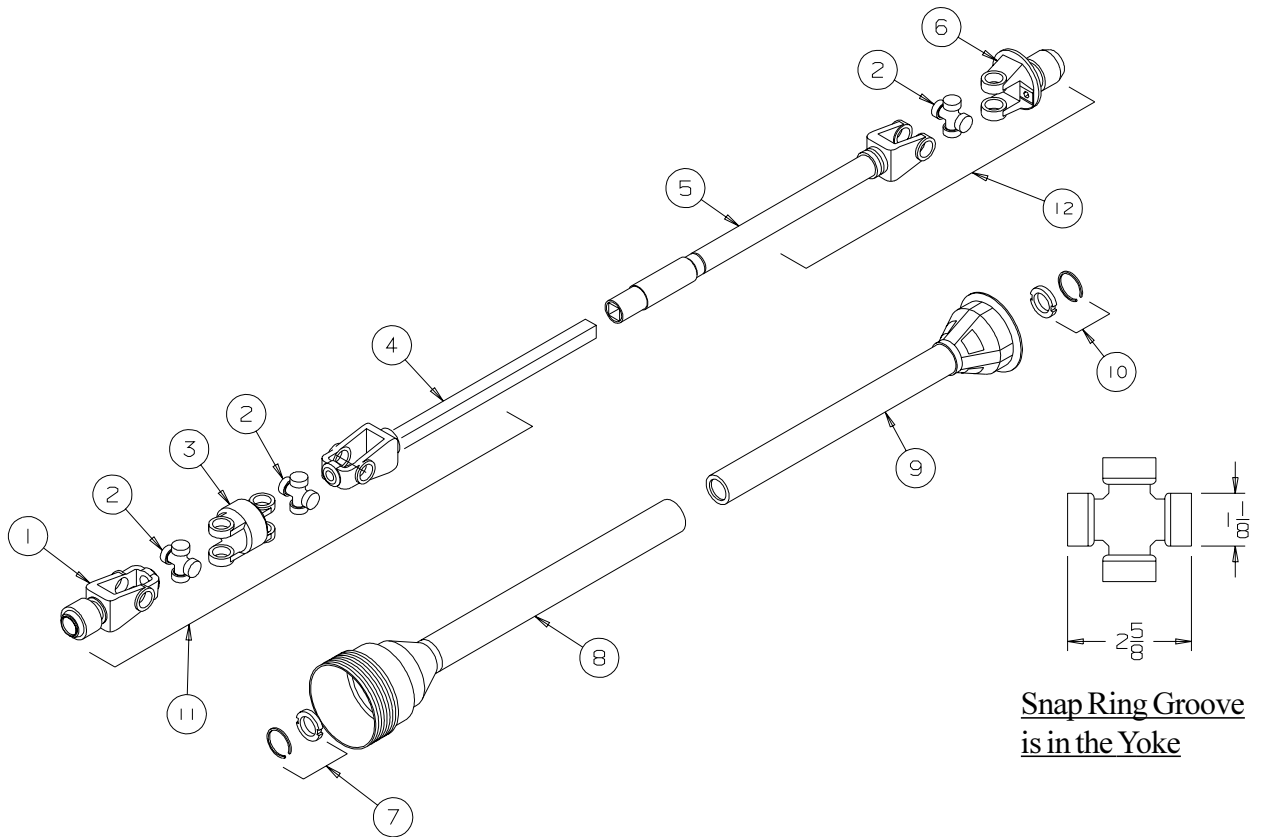
REF#	PART NO.	DESCRIPTION
1	B191221	Gearbox Case
2	B191222	Bearing Housing-Sealed
3	B191223	Bearing Housing
4	B011603	Bearing Cone
5	B011602	Bearing Cup
6	B882237	Spacer
7	B191225	Snap Ring
8	B882231	Bearing Cap Plug
9	B191237	Shim - .007" x 1.25" ID
10	B191232	Gear 68 degree cut
11	B001009	5/16" x 3/4 Bolt
12	B001164	5/16" Lockwasher
13	B781357B	Shim - .005"
14	B781357N	Shim - .0075"
15	B781357Y	Shim - .010"
16	B191228	Seal
17	B882228	Seal
18	B781364	Pipe Plug- 1/4" NPT
19	B191230	Pinion Shaft
20	B191231	Cross Shaft
21	B781356	Key
22	B191233	Grease Washer
23	B191234	Seal Shield

10" REVERSING KIT - 2001
SERIAL NOS. 48851 - 69999



REF#	PART NO.	DESCRIPTION
1	B194200	Reverser - Main Bracket
2	B194203	Reverser - Splined Shaft
3	B185206	1/4" Key x 1 1/8" Long
4	B017120	Bearing - 1 1/4" 2 Bolt Flangette
5	B009027	60-14 Sprocket - 1 1/4" Bore
6	B001024	3/8" x 1" Hex Bolt
7	B001131	3/8" Hex Nut
8	B001165	3/8" Lock Washer
9	NPN	R60 Chain x 41 Pitch
10	B194201	1/2" Spacer Bushing
11	B001151	1/2" Flat Washer
12	B001136	1/2" Lock Nut
13	B001144	3/4" Lock Nut

WEASLER SERIES 14R - 50 CV
B003049 - 8" & 10" MECHANICAL DRIVE SWING AWAY AUGERS



REF #	PART NO.	DESCRIPTION	QTY.
1	B003730	Implement Yoke - 21 Spline	1
2	B003710	Cross & Bearing Kit	3
3	B003731	Centre Housing	1
4	B003732	Output Yoke & Shaft - CV End	1
5	B003733	Input Yoke & Tube - Implement End	1
6	B003734	Shear Yoke Assembly - 6 Spline	2
7	B003738	Shield Bearing - CV End	1
8	B003736	Outer Shield	1
9	B003737	Inner Shield	1
10	B003776	Shield Bearing - Tractor End	1
11	B003049A	Implement Half of Shaft c/w Guard - 21 Spline	1
12	B003049T	Tractor Half of Shaft c/w Guard - 6 Spline	1
NS	B003100	Shear Bolt - 3/8" x 1" Gr.5	1
NS	B003101	Shear Nut - 3/8" Stover Lock Nut	1