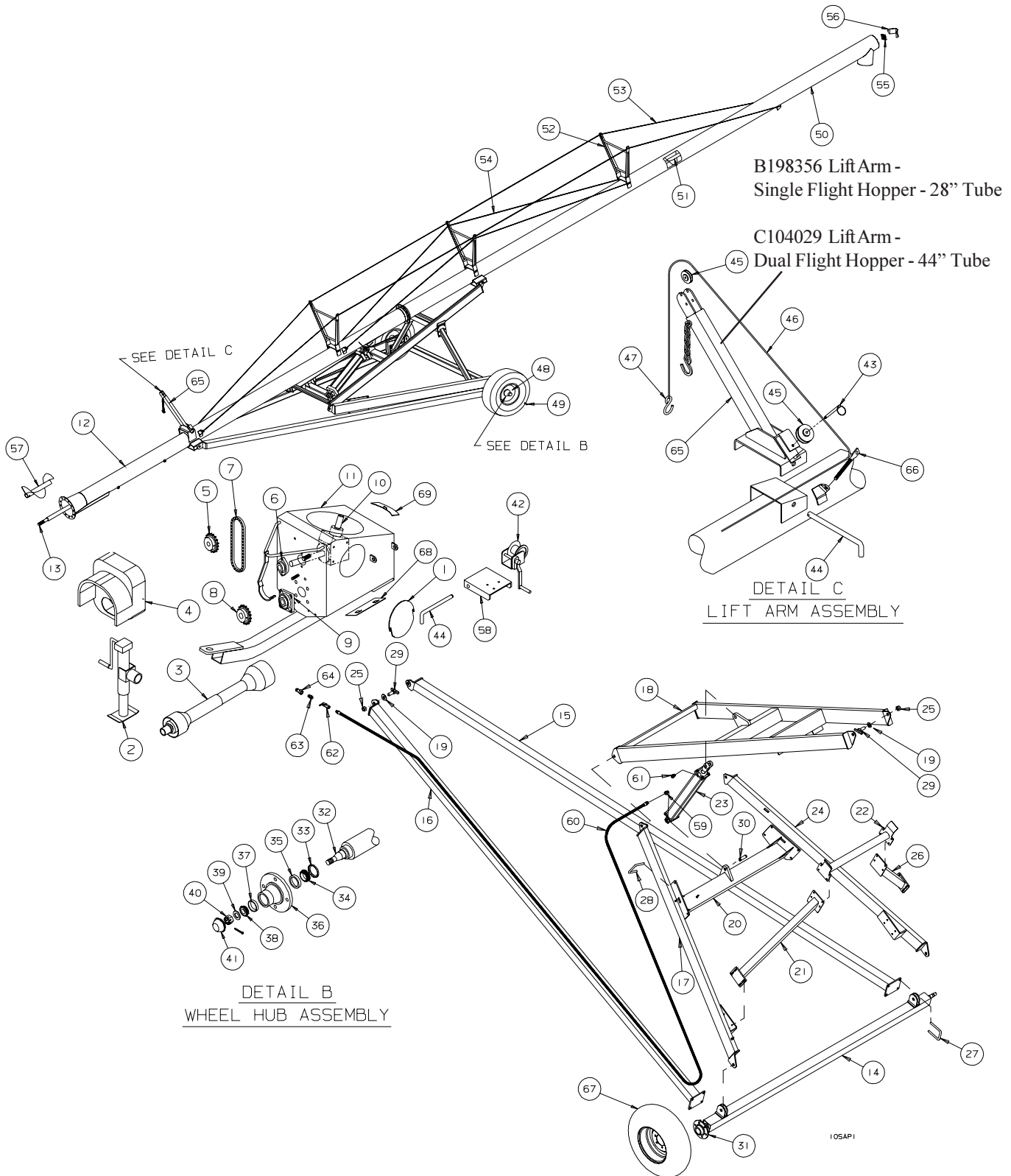


***10" MECHANICAL DRIVE SWING  
AWAY AUGER***

**PARTS LIST**

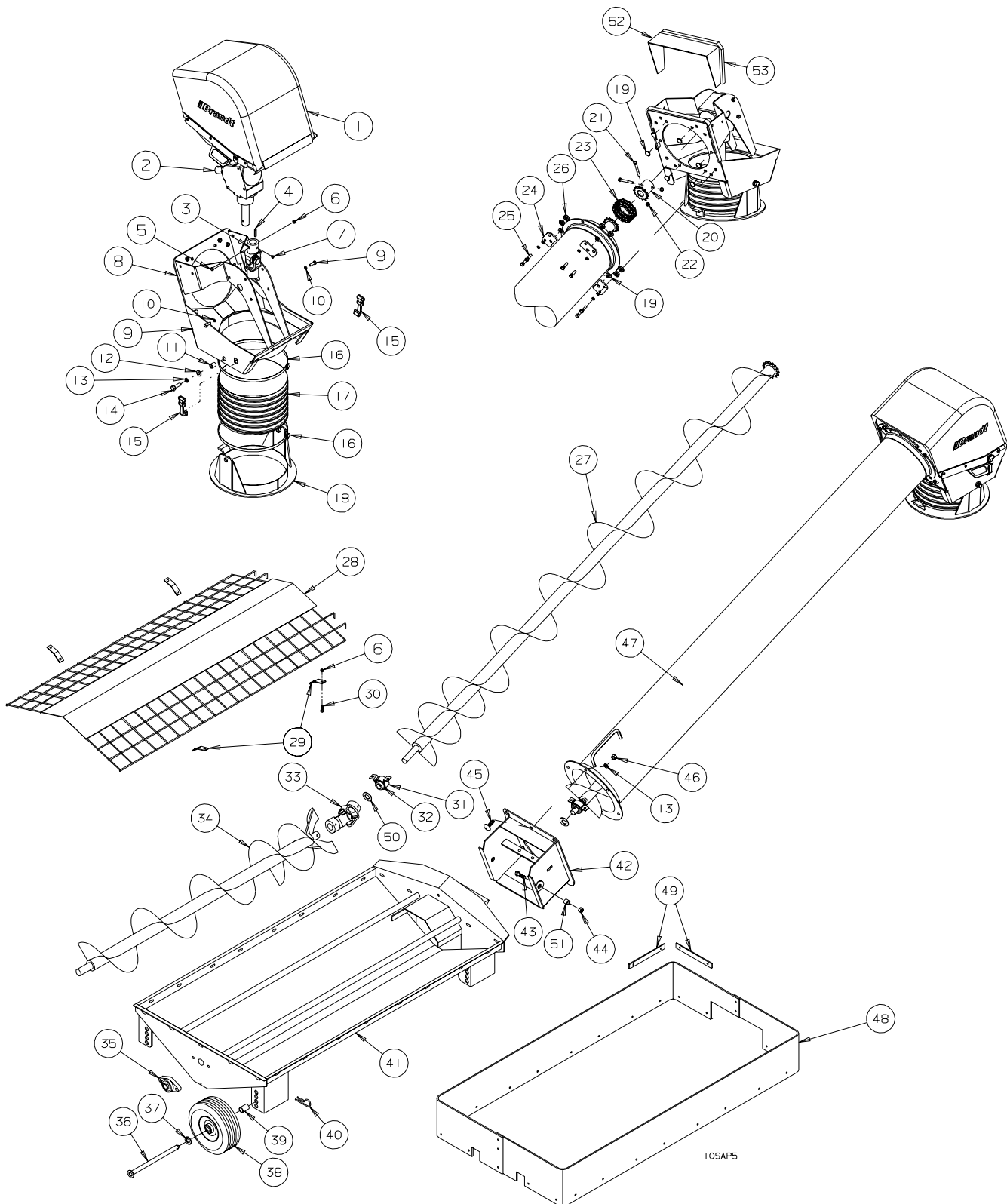
**SERIAL NOS. 74774 - 77199**

**TUBE & UNDERCARRIAGE ASSEMBLY - 10" MDSA AUGER**  
**SERIAL NOS. 74774 - 77199**



#	PART #	DESCRIPTION	#	PART #	DESCRIPTION
1	B198362	Boot Access Cover	35	B011602	Inner Cup - 4 Bolt Hub - LM67010
2	B030500	Side Wind Jack	36	B011605	Hub Only c/w Cups - 4 Bolt Hub
3	B003049	PTO Shaft - Constant Velocity	37	B011600	Outer Cup - 4 Bolt Hub - LM11910
4	B027504	Boot Guard, MDSA Plastic	38	B011601	Outer cone - 4 Bolt Hub - LM11949
5	B009010	60-17 Sprocket - 1 1/4" Bore	39	B011676	3/4" Flatwasher - 4 Bolt Hub
6	B017200	Bearing - 1 1/4" - 2 Bolt	40	B011677	3/4" Castle Nut - 4 Bolt Hub
7	B009014	R60 Chain x 40 Pitch	41	B011500	Dust Cap - 4 Bolt Hub
8	B009028	60-17 Sprocket - 1 3/8" Bore	42	B030100	1000 lb. Brake Winch
9	B017160	Bearing - 1 3/8" - 4 Bolt	43	B002105	Pin-3/8 x 2.5 -Quick Release
10	B003015	1:1 Gearbox - 112o - 21 Spline	44	B198350	Saddle Retainer Pin
11	B198404M	10" Intake Boot - CV	45	B018080	3" OD x 1/4" Cable Sheave (2 Req'd)
12	C100885	60' x 10" Bottom Tube - MD	46	B194186	1/4" dia. Aircraft Cable x 29' Long
12	C100890	70' x 10" Bottom Tube - MD	47	B002019	7/16" S-hook (2 req'd)
13	B198011CV	60' x 10" Bottom Flight - MD	48	B011016	15" Rim - 4 Bolt (2 Req'd)
13	B198308CV	70' x 10" Bottom Flight - MD	49	B011504	Wheel Bolt
14	C100934	Scissor Axle Weld	50	C100886	Upper Tube Weld- 60'
15	C200884L	Axle Arm - Left	50	C100888	Upper Tube Weld - 70'
16	C200884R	Axle Arm - Right	51	B198009	Upper Flight Weld - 60' & 70'
17	C200883R	Lift Arm - Right	52	C200735	Truss Tower
18	C200897	Ladder	53	B008301	3/8"x 90' Aircraft Cable - 60'
19	B001159	1" Flat Washer	53	B008303	3/8"x 110' Aircraft Cable - 70'
20	C200900	Lift Cross	54	B008300	3/8"x 22' Aircraft Cable - 60'
21	C200727	Transport Upright - Right	54	B008302	3/8"x 41'6" Aircraft Cable - 70'
22	C200729	Transport Rest	55	B017090	1 1/4" Bearing - 4 Bolt
23	B019166	Hydra. Cylinder- 3.5"x 30" - 60'	56	B198340	Bearing Safety Cover
23	B0191675	Hydra. Cylinder- 4"x 30" - 70'	57	B194008M	11" Booster Flight
24	C200883L	Lift Arm - Left	58	B198353	Winch Bracket
25	B001075	1" Lock Nut	59	B019416	Restrictor- #6 MORB x #6 MJIC - 1/16" Dia
26	C200730	Transport Upright - Left	60	B019288	3/8" Hydra. Hose x 48' - 3/8" MPT x #6 FJIC
27	B0020188	5/8"x 4" Sq. U-bolt x 5 1/2" Lg	61	B0193051	Breather - #6 MORB
28	B0020184	5/8"x 6" Sq. U-bolt x 3 1/2" Lg	62	B019300	Ball Valve - 3/8" FPT
29	C200666	Suspension Bolt	63	B019516	Reducer Nipple - 1/2" MPT x 3/8" MPT
30	B019178	Hydraulic Cylinder Pin	64	B019200	Male Pioneer Tip - 1/2" FPT
31	B011005	4 Bolt Hub Complete c/w Bearings	65	B198356	Lift Arm - Single Flight Hopper - 28" Tube
32	B011012	Spindle Only	65	C104029	Lift Arm - Dual Flight Hopper - 44" Tube
33	B011604	Seal - 4 Bolt Hub	66	B0020246	5/8"x 9 3/8" Eye bolt (Truss Cable)
34	B011603	Inner Cone - 4 Bolt Hub - LM67048	67	B011205	P215-75R15 Tire & Rim
			68	B198363	Boot Clean-Out Door
			69	C100872	Swing Stop Weld

**SINGLE FLIGHT SWING HOPPER ASSEMBLY - 10" MDSA AUGER**  
**SERIAL NOS. 74774 - 77199**



#	PART #	DESCRIPTION	#	PART #	DESCRIPTION
1	C100876	Plastic Spout Cover Assembly	26	B027499	Plastic Spacer Bushing
NS	B027503	Plastic Spout Cover Only	27	C102047	Swing Tube Flight
2	B003014	Upper Gear Box - 10"	28	B198357SL	10" Hopper Mesh
3	B032135	U-joint - 1 1/4" Dia x 21 Spline	29	B198358	Hopper Mesh Retainer
4	B689169	1/4" Key x 1 1/2" Long	30	B0010811	5/16" x 1" Carriage Bolt
5	B001015	5/16"x 2 1/2" Bolt	31	B0170305	Pressed Steel Bearing Housing
6	B0011275	5/16" Stover Lock Nut	32	B0170105	1 1/4" Bearing c/w Lock Collar
7	B002041	3/8" x 3/8" Set Screw	33	B0321131	Hopper U-Joint - 1 1/4" Dia x 1 1/4" Dia
8	C100867	10" Spout Weldment	34	C102051M	Hopper Flight Weldment
9	B001024	3/8" x 1" Bolt	35	B017050	1" Bearing - 2 Bolt
10	B001165	3/8" Lock Washer	36	B198856	Hopper Wheel Pin
11	C100869	Swivel Bushing	37	B001155	3/4" Flatwasher
12	B001152	1/2" SAE Flatwasher	38	B011041	10" Hopper Tire & Rim
13	B001167	1/2" Lock Washer	39	B198855	Hopper Wheel Spacer
14	B001041	1/2" x 1 1/2" Bolt	40	B002091	Hair Pin Clip - .177" x 3 3/4"
15	B0219992	Rubber Latch	41	C102050SL	Self-levelling Hopper Weldment
16	B024213	13" Hose Clamp	42	C102850	Pivot Weldment
17	C100879	Downspout Hose - 12" Dia x 12" Lg.	43	B001040	1/2" x 1 1/4" Bolt
18	C100868	Lower Swivel Weldment	44	B001134	1/2" Stover Lock Nut
19	B027500	Plastic Wear Bushing	45	B001087	1/2" x 1 1/4" Carriage Bolt
20	B0090024	50- 18 Sprocket x 1 1/4" Bore	46	B001135	1/2" Nut
21	B0010385	3/8" x 2 3/4" Bolt	47	C100042	10" Swing Tube Weldment
22	B001132	3/8" Lock Nut	48	B198852	Rubber Hopper Extension
23	B0096017	R50-2 x 18 Pitch Roller Chain	49	B198071	Aluminium Hold Down Strap
24	C100870	Retainer Plate	50	B0162668	Bearing Cover
25	B001025	3/8" x 1 1/4" Bolt	51	C306042	SL Pivot Bushing
			52	C104954	Steel Spout Cover
			53	B0210395	3/4" Square Neopreme Foam

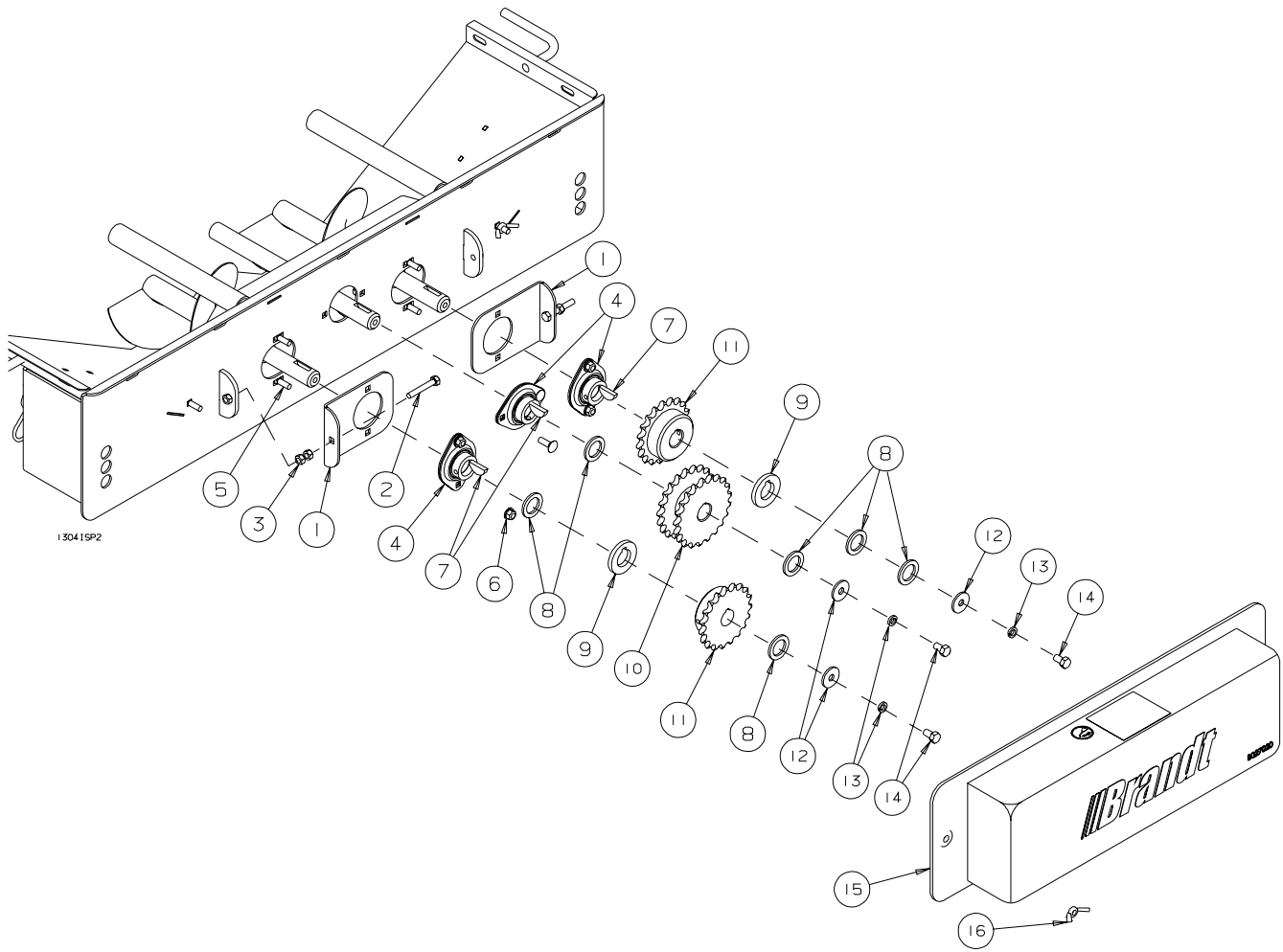


REF #	PART NO.	DESCRIPTION
1	C104001	Swing Hopper Weldment
2	C104000	10" Hopper Transition
3	C104004	Hopper Driveshaft Bearing
4	C104009	Right Hopper Flight
5	B011041	10" Dia Hopper Tire & Rim - 3/4" Bore
6	C104006	10" Hopper Driveshaft - 72 7/16" lg.
7	B0321125	1" x 1" U-Joint - 6R
8	C104005	Flight Hanger
9	B002091	.177" x 3 3/4" Hair Pin Clip
10	B0210415	Rubber Hopper Extension
11	B198071	Aluminum Hold Down Strap
12	C104010	Hopper Safety Grate
13	B198358	Hopper Mesh Retainer
14	B0010811	5/16" x 1" Carriage Bolt
15	B0011276	5/16" Flange Lock Nut
16	C104013	Transition Cover
17	C104012	Baffle Plate
18	C104007	10" Transition Flight Mount
19	B001082	3/8" x 1" Carriager Bolt
20	B001405	3/8" Serrated Flange Nut
21	B001081	5/16" x 3/4" Carriage Bolt
22	B001127	5/16" Lock Nut
23	B0010988	3/4" x 1 1/4" Bolt
24	B001143	3/4" Lock Nut
25	C104016	10" Transition Flight
26	B198856	Hopper Wheel Pin
27	B001433	3/8" x 1" Serrated Flange Bolt
28	B009700	1.25" x .25" Woodruff Key - #810
29	B021086	Cover Hold Down Spring
30	B198855	Hopper Wheel Spacer
31	C104022	Hopper Foam Seal

---

**DUAL FLIGHT SWING HOPPER DRIVE ASSEMBLY - 10" MDSA AUGER**  
**SERIAL NOS. 74774 - 77199**

---



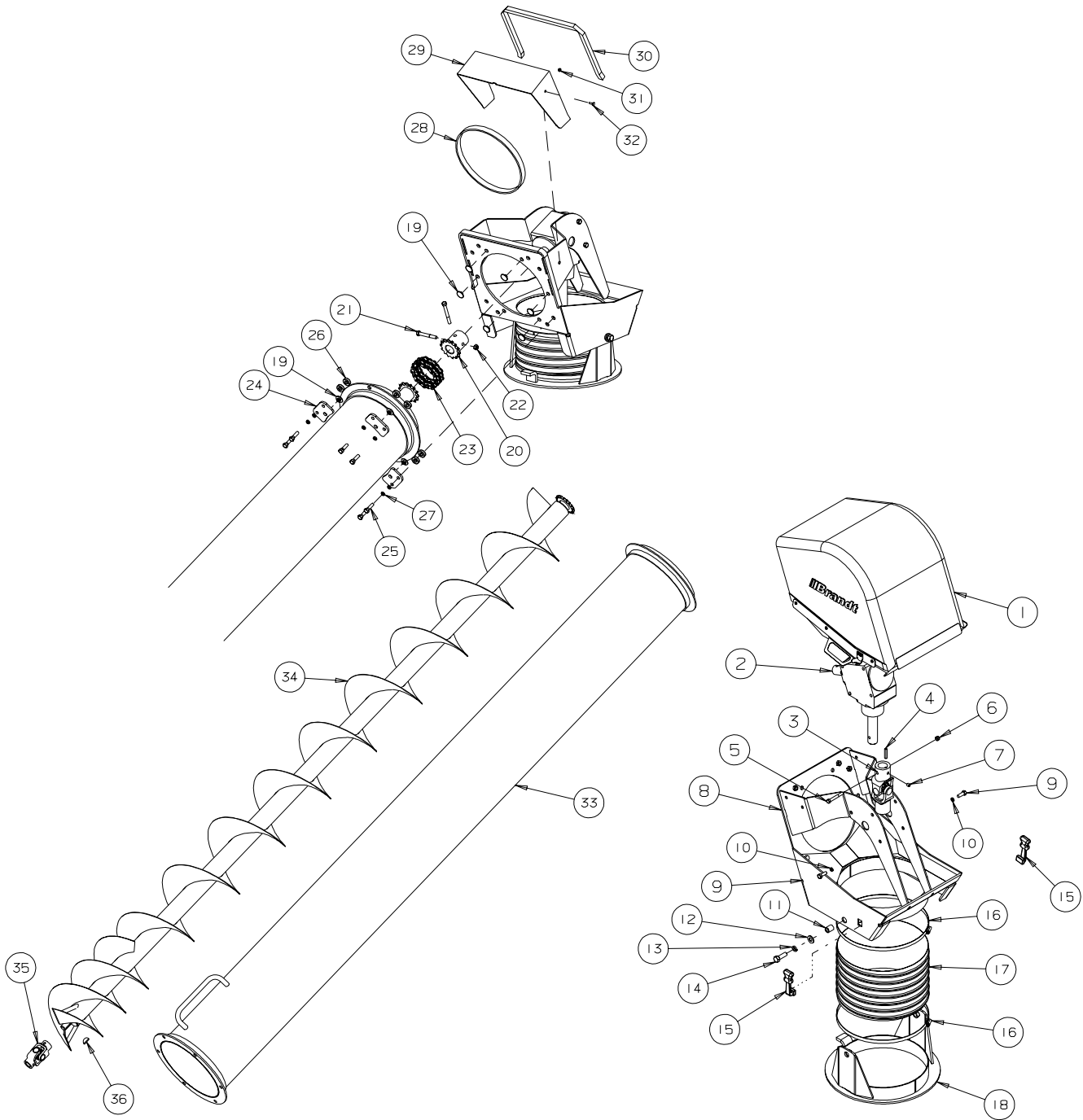


REF #	PART NO.	DESCRIPTION
1	C104017	Chain Tension Plate
2	B0010213	5/16" x 2" Full Thread Bolt
3	B001126	5/16" Nut
4	B017111	1" - 2 Bolt Flangette Bearing
5	B0010811	5/16" x 1" Carriage Bolt
6	B0011276	5/16" Locking Flange Nut
7	B009700	1.25" x .25" Woodruff Key - #810
8	B002073	1 1/2" OD x 1" ID x 10 Ga Machinery Bushing
9	C104018	Sprocket Spacer
10	B0090022	50-15 Double Sprocket - 1" Bore
11	B0090023	50-21 Sprocket - 1" Bore
12	B0020718	1 1/4" OD x 3/8" ID Washer
13	B001165	3/8" Lockwasher
14	B0010225	3/8" x 5/8" Bolt
15	C104021	Hopper Chain Guard
16	B001129	5/16" Wing Nut
NS	B0090052	R50 x 35 Pitch Roller Chain

---

**DUAL FLIGHT SWING TUBE ASSEMBLY - 10" MDSA AUGER**  
**SERIAL NOS. 74774 - 77199**

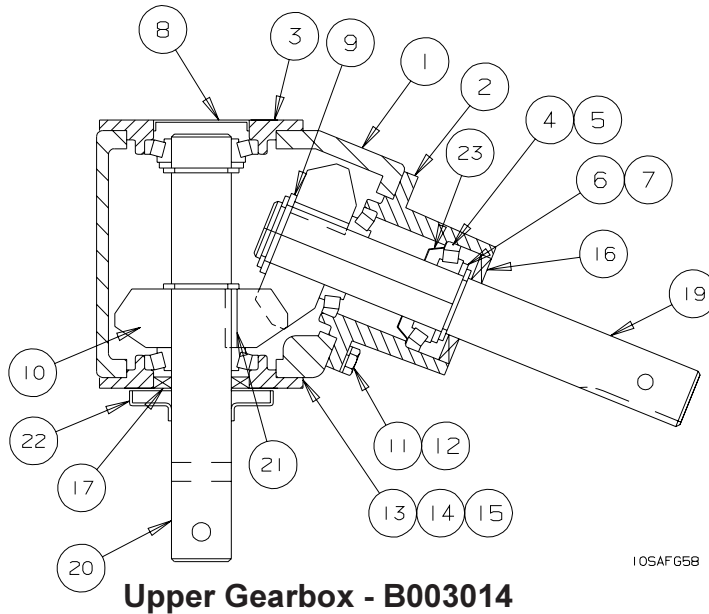
---



100415P4

REF #	PART NO.	DESCRIPTION
1	C100876	Plastic Spout Cover Assembly
NS	B027503	Plastic Spout Cover Only
2	B003014	Upper Gear Box - 10"
3	B032135	U-joint - 1 1/4" Dia x 21 Spline
4	B689169	1/4" Key x 1 1/2" Long
5	B001015	5/16"x 2 1/2" Bolt
6	B0011275	5/16" Stover Lock Nut
7	B002041	3/8" x 3/8" Set Screw
8	C100867	10" Spout Weldment
9	B001024	3/8" x 1" Bolt
10	B001165	3/8" Lock Washer
11	C100869	Swivel Bushing
12	B001152	1/2" SAE Flatwasher
13	B001167	1/2" Lock Washer
14	B001041	1/2" x 1 1/2" Bolt
15	B0219992	Rubber Latch
16	B024213	13" Hose Clamp
17	C100879	Downspout Hose - 12" Dia x 12" Long
18	C100868	Lower Swivel Weldment
19	B027500	Plastic Wear Bushing
20	B0090024	50- 18 Sprocket x 1 1/4" Bore
21	B0010385	3/8" x 2 3/4" Bolt
22	B001132	3/8" Lock Nut
23	B0096017	R50-2 x 18 Pitch Roller Chain
24	C100870	Retainer Plate
25	B001025	3/8" x 1 1/4" Bolt
26	B027499	Plastic Spacer Bushing
27	B001165	3/8" Lockwasher
28	C103953	10" Spout Seal Foam
29	C104954	10" Steel Spout Cover
30	B0210395	3/4" Square Neopreme Foam
31	B001124	1/4" Lock Nut
32	B001002	1/4" x 3/4" Bolt
33	C104015	10" Dual Flight Swing Tube
34	C104011	10" Dual Swing Tube Flight
35	B0321125	1" x 1" U-Joint - 6R
36	B009700	1.25" x .25" Woodruff Key - #810

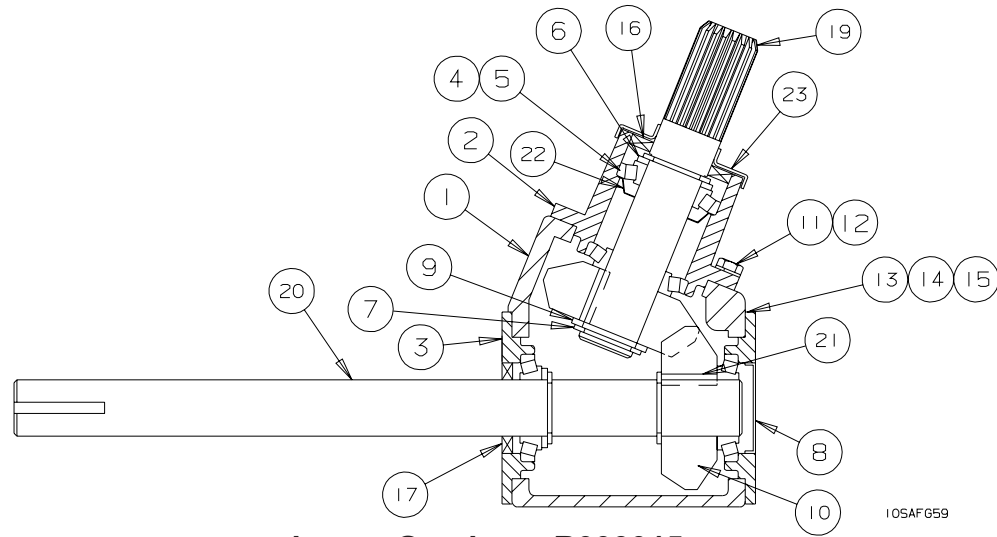
**UPPER GEARBOX - 10" MDSA AUGER**  
**SERIAL NOS. 74774 - 77199**



**Upper Gearbox - B003014**

REF #	PART NO.	DESCRIPTION
1	B191221	Gearbox Case
2	B191222	Bearing Housing-Sealed
3	B191223	Bearing Housing
4	B011603	Bearing Cone
5	B011602	Bearing Cup
6	B882237	Spacer
7	B191225	Snap Ring
8	B882231	Bearing Cap Plug
9	B191237	Shim - .007" x 1.25" ID
10	B191232	Gear 68 degree cut
11	B001009	5/16" x 3/4 Bolt
12	B001164	5/16" Lockwasher
13	B781357B	Shim - .005"
14	B781357N	Shim - .0075"
15	B781357Y	Shim - .010"
16	B882230	Seal
17	B882228	Seal
18	B781364	Pipe Plug- 1/4" NPT
19	B191226	Pinion Shaft
20	B191227	Cross Shaft
21	B781356	Key
22	B191235	Seal Shield
23	B191233	Grease Washer

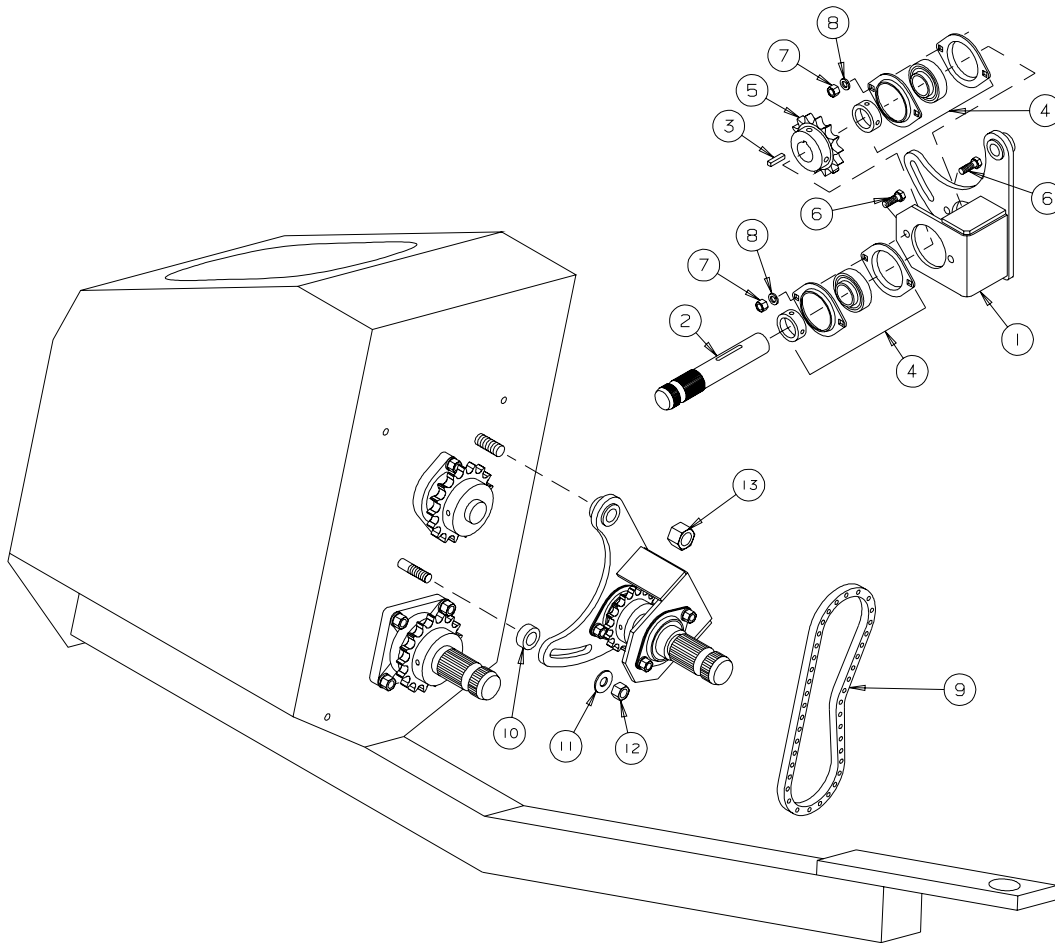
**LOWER GEARBOX - 10" MDSA AUGER**  
**SERIAL NOS. 74774 - 77199**



**Lower Gearbox - B003015**

REF #	PART NO.	DESCRIPTION
1	B191221	Gearbox Case
2	B191222	Bearing Housing-Sealed
3	B191223	Bearing Housing
4	B011603	Bearing Cone
5	B011602	Bearing Cup
6	B882237	Spacer
7	B191225	Snap Ring
8	B882231	Bearing Cap Plug
9	B191237	Shim - .007" x 1.25" ID
10	B191232	Gear 68 degree cut
11	B001009	5/16" x 3/4 Bolt
12	B001164	5/16" Lockwasher
13	B781357B	Shim - .005"
14	B781357N	Shim - .0075"
15	B781357Y	Shim - .010"
16	B191228	Seal
17	B882228	Seal
18	B781364	Pipe Plug- 1/4" NPT
19	B191230	Pinion Shaft
20	B191231	Cross Shaft
21	B781356	Key
22	B191233	Grease Washer
23	B191234	Seal Shield

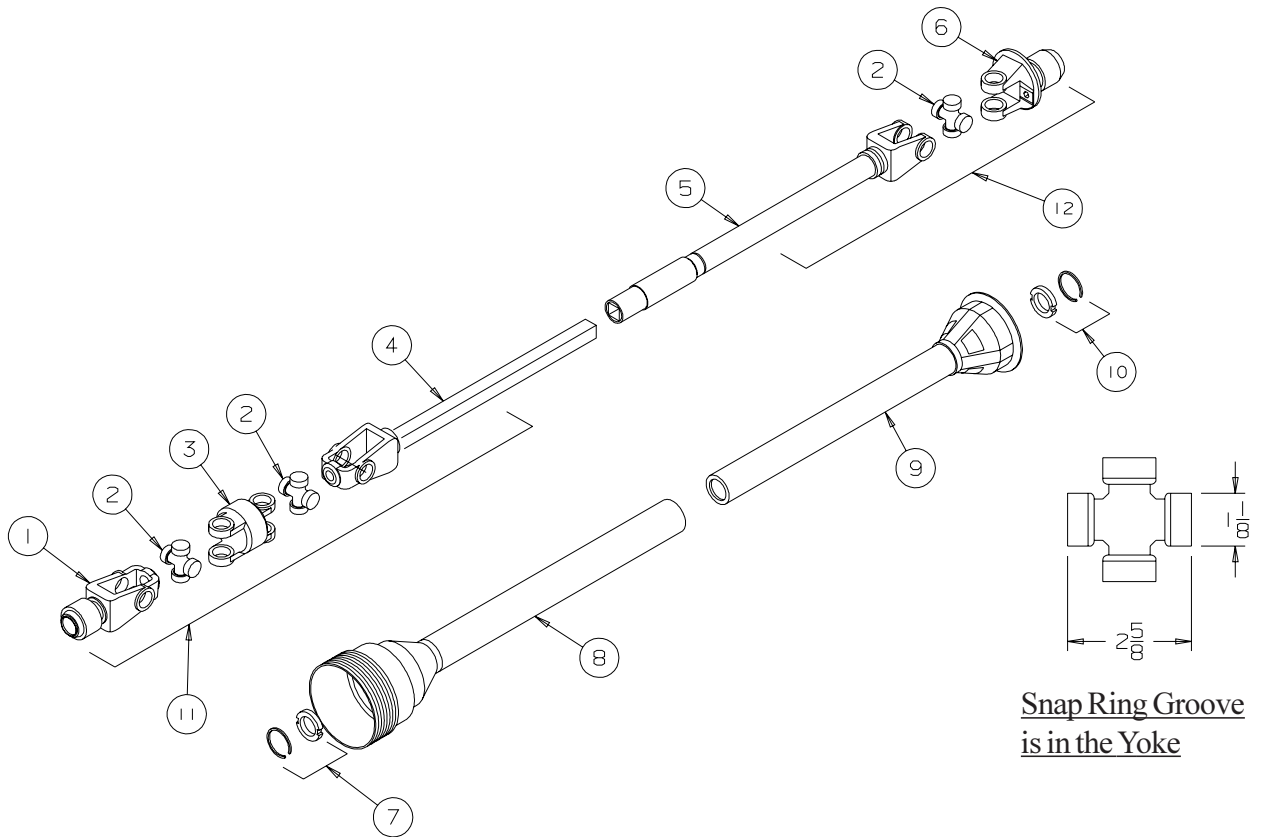
**REVERSING KIT - 10" MDSA AUGER**  
**SERIAL NOS. 74774 - 77199**



10SAP4

REF #	PART NO.	DESCRIPTION
1	B194200	Reverser - Main Bracket
2	B194203	Reverser - Splined Shaft
3	B185206	1/4" Key x 1 1/8" Long
4	B017120	Bearing - 1 1/4" dia - 2 Bolt Flangette
5	B009027	60-14 Sprocket - 1 1/4" Bore
6	B001024	3/8" x 1" Hex Bolt
7	B001131	3/8" Hex Nut
8	B001165	3/8" Lockwasher
9	NPN	R60 Chain x 41 Pitch
10	B194201	1/2" Spacer Bushing
11	B001151	1/2" Flatwasher
12	B001136	1/2" Locknut
13	B001144	3/4" Locknut

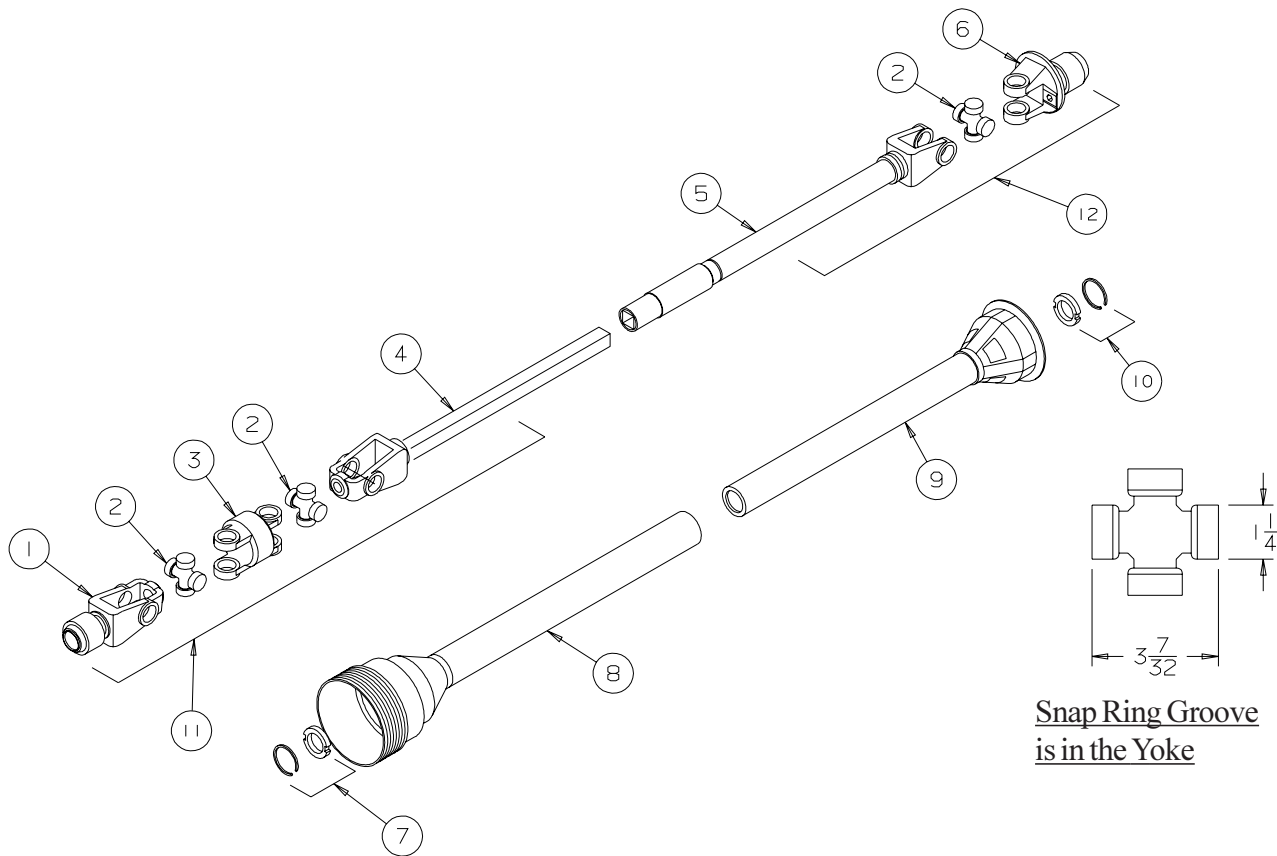
**WEASLER SERIES 14R - 50 CV**  
**B003049 - 8" & 10" MECHANICAL DRIVE SWING AWAY AUGERS**



Snap Ring Groove  
is in the Yoke

REF #	PART NO.	DESCRIPTION	QTY.
1	B003730	Implement Yoke - 21 Spline	1
2	B003710	Cross & Bearing Kit	3
3	B003731	Centre Housing	1
4	B003732	Output Yoke & Shaft - CV End	1
5	B003733	Input Yoke & Tube - Implement End	1
6	B003734	Shear Yoke Assembly - 6 Spline	2
7	B003738	Shield Bearing - CV End	1
8	B003736	Outer Shield	1
9	B003737	Inner Shield	1
10	B003776	Shield Bearing - Tractor End	1
11	B003049A	Implement Half of Shaft c/w Guard - 21 Spline	1
12	B003049T	Tractor Half of Shaft c/w Guard - 6 Spline	1
NS	B003100	Shear Bolt - 3/8" x 1" Gr.5	1
NS	B003101	Shear Nut - 3/8" Stover Lock Nut	1

**WEASLER SERIES 35R - 50 CV**  
**B0030491 - 10" HD MECHANICAL DRIVE SWING AWAY AUGERS**



REF #	PART NO.	DESCRIPTION	QTY.
1	B003740	Implement Yoke - 21 Spline	1
2	B003715	Cross & Bearing Kit	3
3	B003741	Centre Housing	1
4	B003872	Output Yoke & Shaft - CV End	1
5	B003873	Input Yoke & Tube - Implement End	1
6	B003744	Shear Yoke Assembly - 6 Spline	2
7	B003738	Shield Bearing - CV End	1
8	B003876	Outer Shield	1
9	B003877	Inner Shield	1
10	B003745	Shield Bearing - Tractor End	1
11	B003870	Implement Half of Shaft c/w Guard - 21 Spline	1
12	B003871	Tractor Half of Shaft c/w Guard - 6 Spline	1
NS	B0010101	Shear Bolt - 5/16" x 1" Gr.8	1
NS	B003103	Shear Nut - 5/16" Stover Lock Nut	1