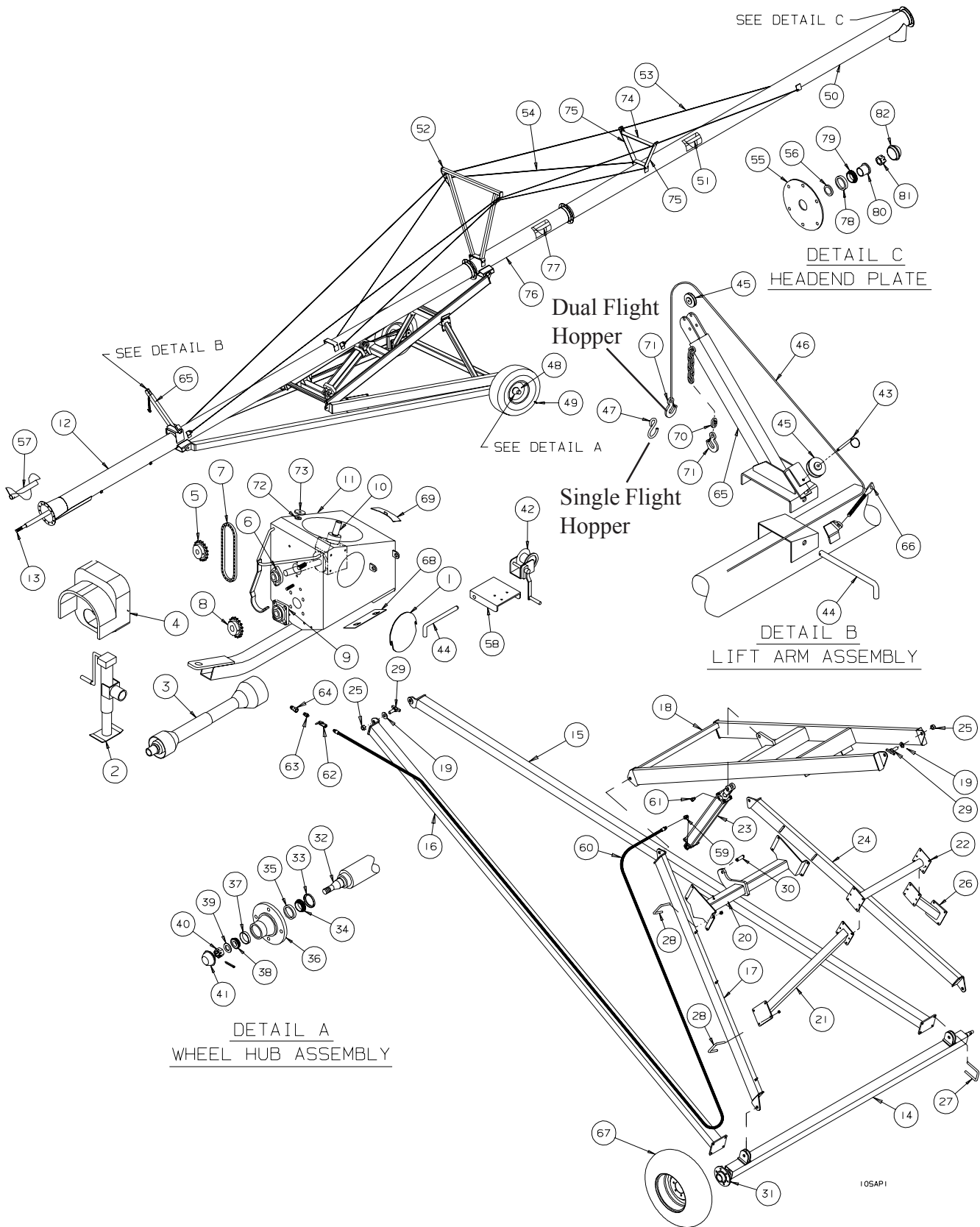


***10''x 80' MECHANICAL DRIVE
SWING AWAY AUGER***

PARTS LIST

SERIAL NOS. 83000 - 83999

10" X 80' TUBE & UNDERCARRIAGE ASSEMBLY - 10" MDSA AUGER
SERIAL NOS. 83000 - 83999



DETAIL A
WHEEL HUB ASSEMBLY

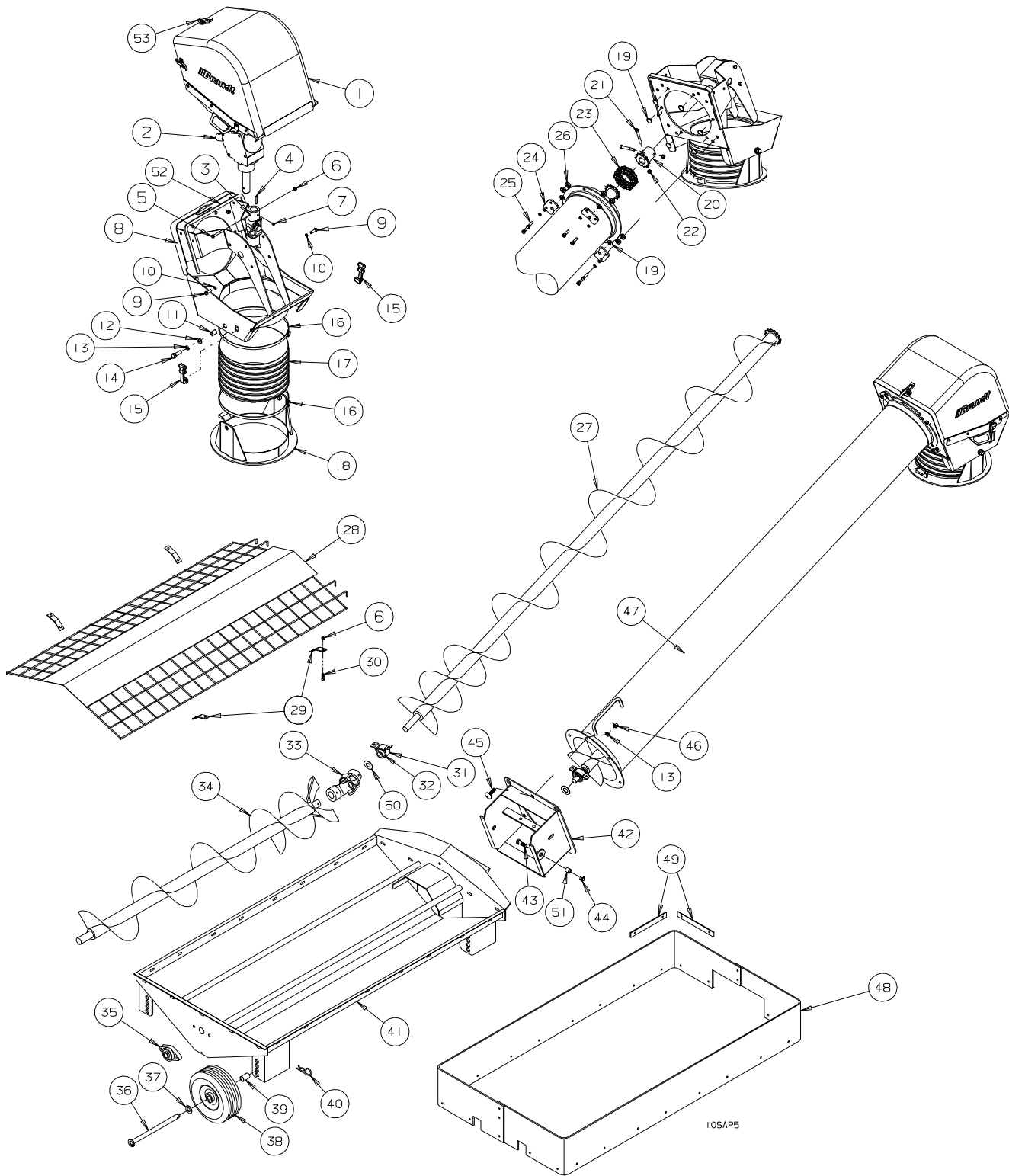
DETAIL B
LIFT ARM ASSEMBLY

DETAIL C
HEADEND PLATE

10SAP1

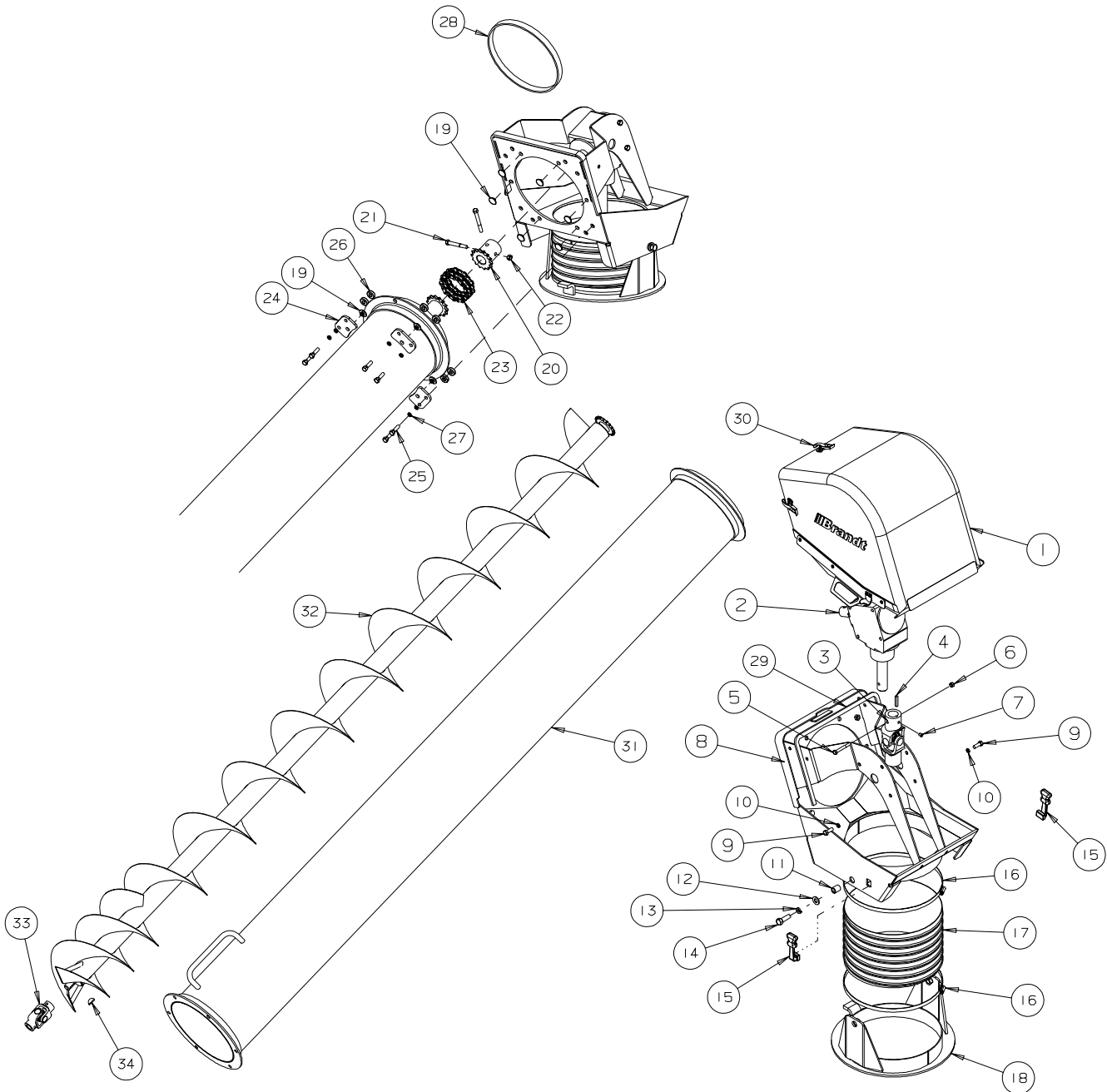
#	PART #	DESCRIPTION	#	PART #	DESCRIPTION
1	B198362	Boot Access Cover	43	B002105	Pin-3/8 x 2.5 -Quick Release
2	B030500	Side Wind Jack	44	B198351	Saddle Retainer Pin
3	B0030491	PTO Shaft - Constant Velocity	45	B018080	3" OD x 1/4" Cable Sheave (2 Req'd)
4	B027504	Boot Guard, MDSA Plastic	46	B194186	1/4" dia. Aircraft Cable x 29' Long
5	B009010	60-17 Sprocket - 1 1/4" Bore	47	B002019	7/16" S-hook (Single Flight Hopper)
6	B017200	Bearing - 1 1/4" - 2 Bolt	48	B011018	15" Rim - 6 Bolt (2 Req'd)
7	B009014	R60 Chain x 40 Pitch	49	B011504	Wheel Bolt
8	B009028	60-17 Sprocket - 1 3/8" Bore	50	C107049	Upper Tube Weld - 80'
9	B017160	Bearing - 1 3/8" - 4 Bolt	51	C107068	Upper Flight Weld - 80'
10	B003015	1:1 Gearbox - 112° - 21 Spline	52	C107050	Large Truss Tower
11	B198404M	10" Intake Boot - CV	53	B0083089	1/2"x 71'-6" Aircraft Cable - 80'
12	C107075	80' x 10" Bottom Tube - MD	54	B0083081	3/8"x 43' Aircraft Cable - 80'
13	B198308CV	70' x 10" Bottom Flight - MD	55	C107067	10" Trust End Plate
14	C201215	Scissor Axle Weld	56	B011649	10" Headend Seal
15	C107076L	Axle Arm - Left	57	B194008M	11" Booster Flight
16	C107076R	Axle Arm - Right	58	B198353	Winch Bracket
17	C107056R	Lift Arm - Right	59	B019416	Restrictor- #6 MORB x #6 MJIC - 1/16" Dia
18	C107055	Ladder	60	B0192973	3/8" Hydra. Hose x 62' - 3/8" MPT x #6 FJIC
19	B001159	1" Flat Washer	61	B0193051	Breather - #6 MORB, 10 micron
20	C107057	Lift Cross	62	B019300	Ball Valve - 3/8" FPT
21	C107058R	Transport Uprite - Right	63	B019516	Reducer Nipple - 1/2" MPT x 3/8" MPT
22	C107059	Transport Rest	64	B019200	Male Pioneer Tip - 1/2" FPT
23	B0191676	Hydra. Cylinder- 4"x 30"	65	B198356	Lift Arm - 28" Tube (Single Flight Hopper)
24	C107056L	Lift Arm - Left	65	C104029	Lift Arm - 44" Tube (Dual Flight Hopper)
25	B001075	1" Lock Nut	66	B0020246	5/8"x 9 3/8" Eye bolt (Truss Cable)
26	C107058L	Transport Uprite - Left	67	B011221	P225-70R15 Tire & Rim
27	B0020188	5/8"x 4" Sq. U-bolt x 5 1/2" Lg	68	B198363	Boot Clean-Out Door
28	B0020213	5/8"x 8" Sq. U-bolt x 4 1/2" Lg	69	C100872	Swing Stop Weld
29	C200666	Suspension Bolt	70	B0210362	5/16" Rapid Chain Link (Dual Flight Hopper)
30	B019178	Hydraulic Cylinder Pin	71	B002125	3/4 Ton Chain Hook (Dual Flight Hopper)
31	B011003	6 Bolt Hub Complete c/w Bearings	72	C100889	Small Swing Tube Spacer
32	B011010	Spindle Only	73	B198361	Large Swing Tube Retainer
33	B011650	Seal - 6 Bolt Hub	74	C107052	Small Truss Tower Top
34	B011651	Inner Cone - 6 Bolt Hub - LM29749	75	C107051	Small Truss Tower Side
35	B011652	Inner Cup - 6 Bolt Hub - LM29710	76	C107041	Centre Tube - 80'
36	B011605	Hub Only c/w Cups - 6 Bolt Hub	77	C107038	Centre Flight - 80'
37	B011668	Outer Cup - 6 Bolt Hub - LM67010	78	B011652	Inner Cup - 6 Bolt Hub - LM29710
38	B011603	Outer Cone - 6 Bolt Hub - LM67048	79	B011651	Inner Cone - 6 Bolt Hub - LM29749
39	B001158	1" SAE Flatwasher	80	B011710	Bushing- Taper Bearing
40	B011681	1"- 14 TPI UNF Castle Nut	81	B011629	Spindle Nut - 1 1/4"
41	B011503	Dust Cap - 6 Bolt Hub	82	B011502	Dust Cap - DC15
42	B030100	1000 lb. Brake Winch	83	C107069	10" Angled Downspout

SINGLE FLIGHT SWING TUBE & HOPPER ASSEMBLY - 10" MDSA AUGER
SERIAL NOS. 83000 - 83999



#	PART #	DESCRIPTION	#	PART #	DESCRIPTION
1	C106876	Plastic Spout Cover Assembly	26	B027499	Plastic Spacer Bushing
NS	B0275036	Plastic Spout Cover Only	27	C102047	Swing Tube Flight
2	B003014	Upper Gear Box - 10"	28	B198357SL	10" Hopper Mesh
3	B032135	U-joint - 1 1/4" Dia x 21 Spline	29	B198358	Hopper Mesh Retainer
4	B689169	1/4" Key x 1 1/2" Long	30	B0010811	5/16" x 1" Carriage Bolt
5	B001015	5/16"x 2 1/2" Bolt			
			31	B0170305	Pressed Steel Bearing Housing
6	B0011275	5/16" Stover Lock Nut	32	B0170105	1 1/4" Bearing c/w Lock Collar
7	B002041	3/8" x 3/8" Set Screw	33	B0321131	Hopper U-Joint - 1 1/4" Dia x 1 1/4" Dia
8	C105867	10" Spout Weldment	34	C102051M	Hopper Flight Weldment
9	B001024	3/8" x 1" Bolt	35	B017050	1" Bearing - 2 Bolt
10	B001165	3/8" Lock Washer			
			36	B198856	Hopper Wheel Pin
11	C100869	Swivel Bushing	37	B001155	3/4" Flatwasher
12	B001152	1/2" SAE Flatwasher	38	B011041	10" Hopper Tire & Rim
13	B001167	1/2" Lock Washer	39	B198855	Hopper Wheel Spacer
14	B001041	1/2" x 1 1/2" Bolt	40	B002091	Hair Pin Clip - .177" x 3 3/4"
15	B0219992	Rubber Latch			
			41	C102050SL	Self-levelling Hopper Weldment
16	B024213	13" Hose Clamp	42	C102850	Pivot Weldment
17	C100879	Downspout Hose - 12" Dia x 12" Lg.	43	B001040	1/2" x 1 1/4" Bolt
18	C100868	Lower Swivel Weldment	44	B001134	1/2" Stover Lock Nut
19	B027500	Plastic Wear Bushing	45	B001087	1/2" x 1 1/4" Carriage Bolt
20	B0090024	50- 18 Sprocket x 1 1/4" Bore			
			46	B001135	1/2" Nut
21	B0010385	3/8" x 2 3/4" Bolt	47	C100042	10" Swing Tube Weldment
22	B001132	3/8" Lock Nut	48	B198852	Rubber Hopper Extension
23	B0096017	R50-2 x 18 Pitch Roller Chain	49	B198071	Aluminium Hold Down Strap
24	C100870	Retainer Plate	50	B0162668	Bearing Cover
25	B001025	3/8" x 1 1/4" Bolt			
			51	C306042	SL Pivot Bushing
			52	SW1015	Spout Cover Seal
			53	B021110	Small Latch Assembly

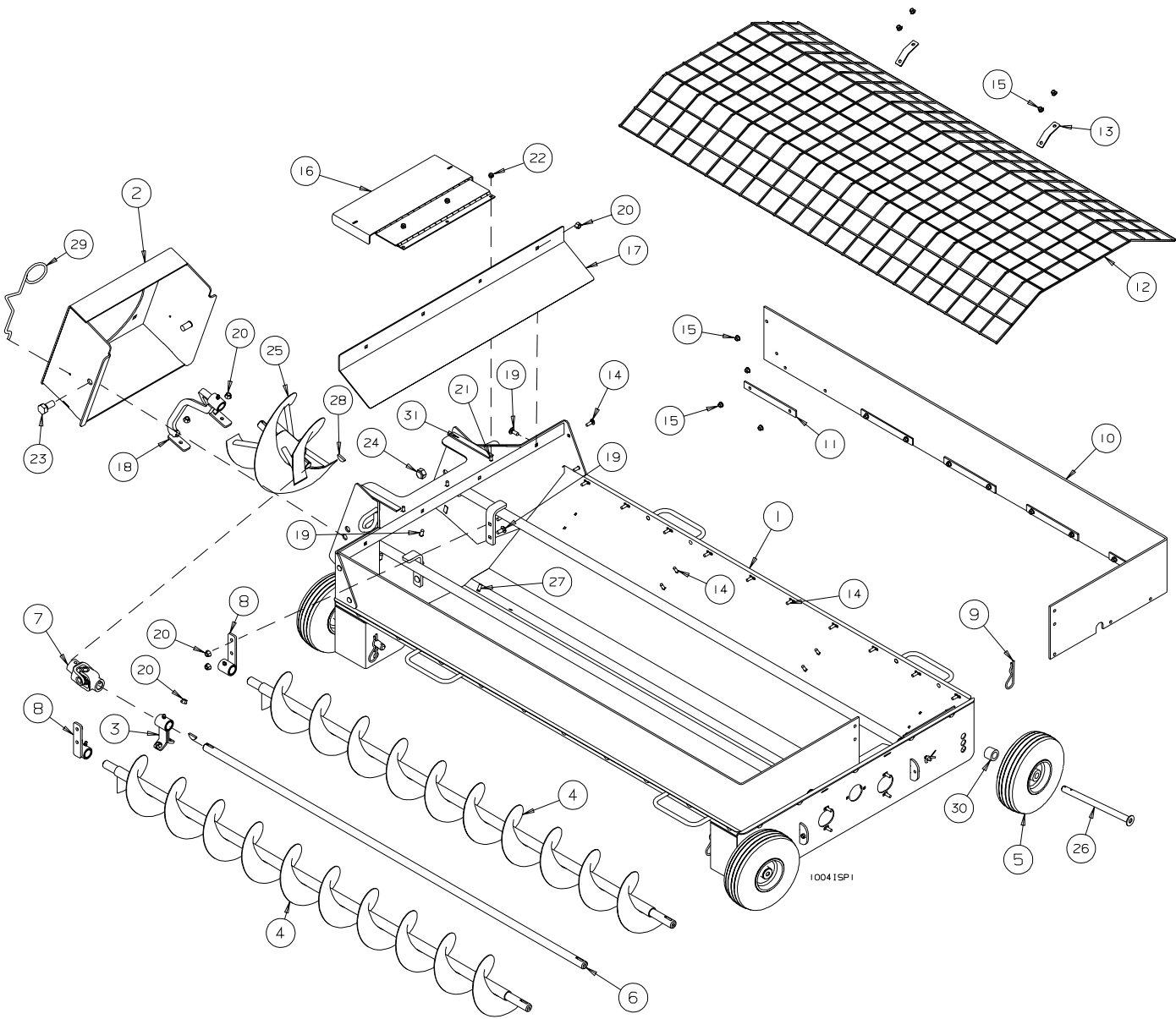
DUAL FLIGHT SWING TUBE ASSEMBLY - 10" MDSA AUGER
SERIAL NOS. 83000 - 83999



10041SP4

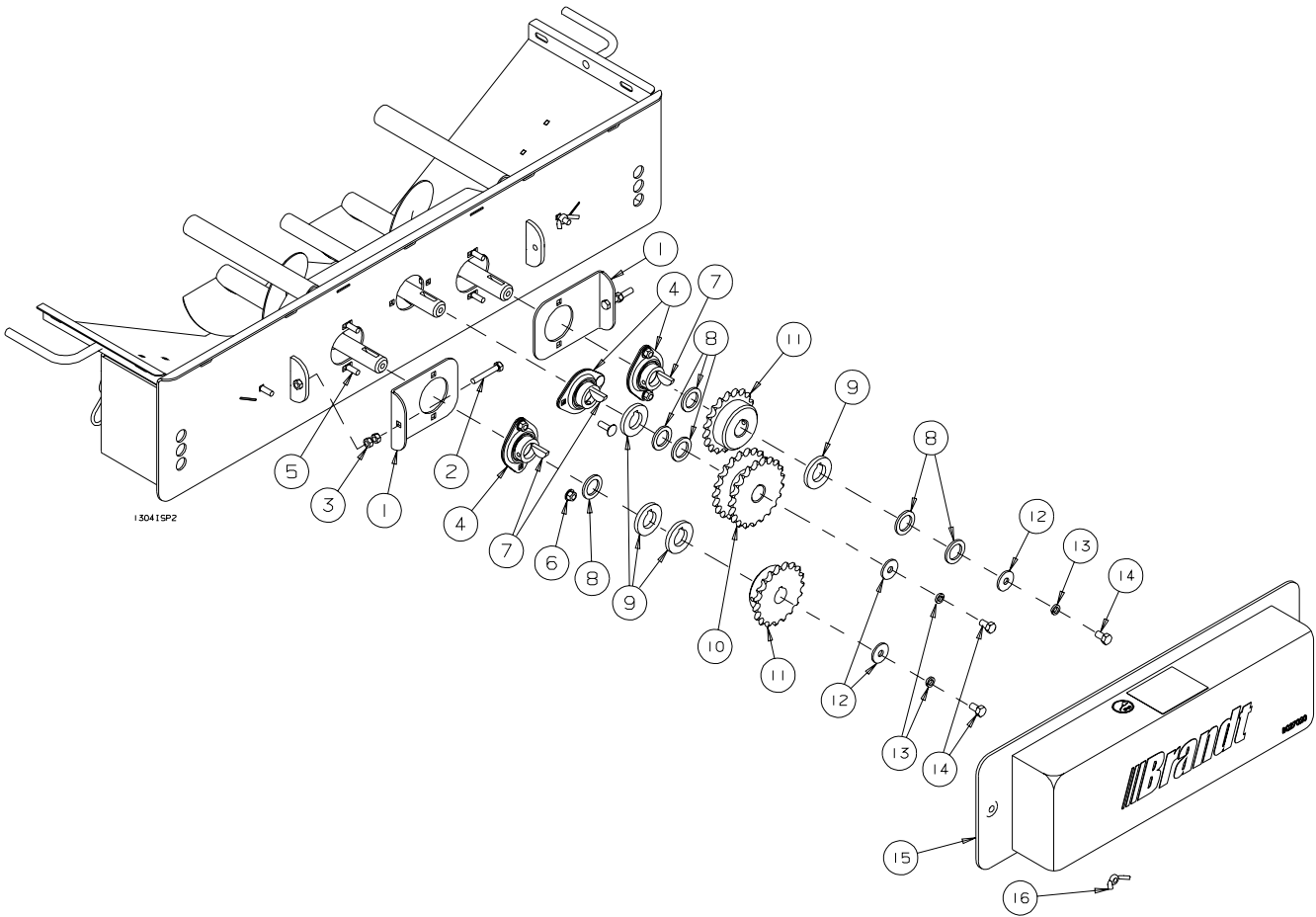
REF #	PART NO.	DESCRIPTION
1	C106876	Plastic Spout Cover Assembly
NS	B0275036	Plastic Spout Cover Only
2	B003014	Upper Gear Box - 10"
3	B032135	U-joint - 1 1/4" Dia x 21 Spline
4	B689169	1/4" Key x 1 1/2" Long
5	B001015	5/16"x 2 1/2" Bolt
6	B0011275	5/16" Stover Lock Nut
7	B002041	3/8" x 3/8" Set Screw
8	C105867	10" Spout Weldment
9	B001024	3/8" x 1" Bolt
10	B001165	3/8" Lock Washer
11	C100869	Swivel Bushing
12	B001152	1/2" SAE Flatwasher
13	B001167	1/2" Lock Washer
14	B001041	1/2" x 1 1/2" Bolt
15	B0219992	Rubber Latch
16	B024213	13" Hose Clamp
17	C100879	Downspout Hose - 12" Dia x 12" Long
18	C100868	Lower Swivel Weldment
19	B027500	Plastic Wear Bushing
20	B0090024	50- 18 Sprocket x 1 1/4" Bore
21	B0010385	3/8" x 2 3/4" Bolt
22	B001132	3/8" Lock Nut
23	B0096017	R50-2 x 18 Pitch Roller Chain
24	C100870	Retainer Plate
25	B001025	3/8" x 1 1/4" Bolt
26	B027499	Plastic Spacer Bushing
27	B001165	3/8" Lockwasher
28	C103953	10" Spout Seal Foam
29	SW1015	Spout Cover Seal
30	B021110	Small Latch Assembly
31	C104015	10" Dual Flight Swing Tube
32	C104011	10" Dual Swing Tube Flight
33	B0321125	1" x 1" U-Joint - 6R
34	B009700	1.25" x .25" Woodruff Key - #810

DUAL FLIGHT SWING HOPPER ASSEMBLY - 10" MDSA AUGER
SERIAL NOS. 83000 - 83999



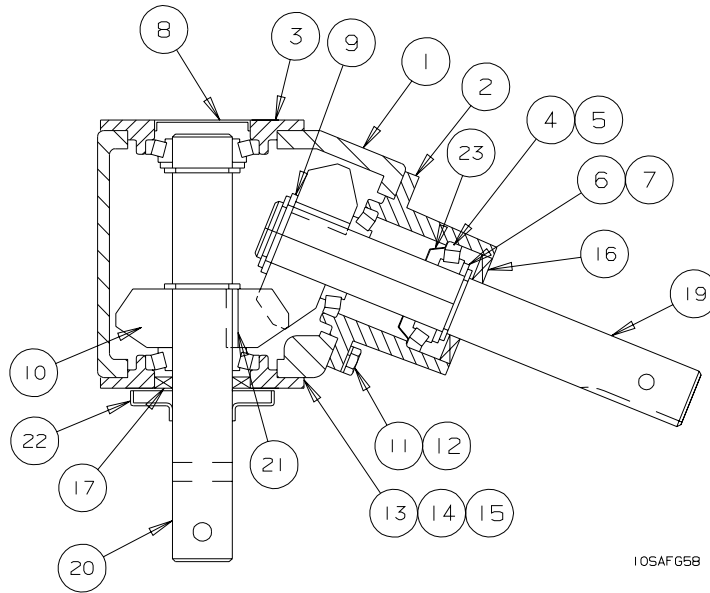
REF #	PART NO.	DESCRIPTION
1	C104001	Swing Hopper Weldment
2	C104000	10" Hopper Transition
3	C104004	Hopper Driveshaft Bearing
4	C104009	Right Hopper Flight
5	B011041	10" Dia Hopper Tire & Rim - 3/4" Bore
6	C104006	10" Hopper Driveshaft - 72 7/16" lg.
7	B0321125	1" x 1" U-Joint - 6R
8	C104005	Flight Hanger
9	B002091	.177" x 3 3/4" Hair Pin Clip
10	B0210415	Rubber Hopper Extension
11	B198071	Aluminum Hold Down Strap
12	C104010	Hopper Safety Grate
13	B198358	Hopper Mesh Retainer
14	B0010811	5/16" x 1" Carriage Bolt
15	B0011276	5/16" Flange Lock Nut
16	C104013	Transition Cover
17	C104012	Baffle Plate
18	C104007	10" Transition Flight Mount
19	B001082	3/8" x 1" Carriager Bolt
20	B001405	3/8" Serrated Flange Nut
21	B001081	5/16" x 3/4" Carriage Bolt
22	B001127	5/16" Lock Nut
23	B0010988	3/4" x 1 1/4" Bolt
24	B001143	3/4" Lock Nut
25	C104016	10" Transition Flight
26	B198856	Hopper Wheel Pin
27	B001433	3/8" x 1" Serrated Flange Bolt
28	B009700	1.25" x .25" Woodruff Key - #810
29	B021086	Cover Hold Down Spring
30	B198855	Hopper Wheel Spacer
31	C104022	Hopper Foam Seal

DUAL FLIGHT SWING HOPPER DRIVE ASSEMBLY - 10" MDSA AUGER
SERIAL NOS. 83000 - 83999



REF #	PART NO.	DESCRIPTION
1	C104017	Chain Tension Plate
2	B0010213	5/16" x 2" Full Thread Bolt
3	B001126	5/16" Nut
4	B017111	1" - 2 Bolt Flangette Bearing
5	B0010811	5/16" x 1" Carriage Bolt
6	B0011276	5/16" Locking Flange Nut
7	B009700	1.25" x .25" Woodruff Key - #810
8	B002073	1 1/2" OD x 1" ID x 10 Ga Machinery Bushing
9	C104018	Sprocket Spacer
10	B0090022	50-15 Double Sprocket - 1" Bore
11	B0090023	50-21 Sprocket - 1" Bore
12	B0020718	1 1/4" OD x 3/8" ID Washer
13	B001165	3/8" Lockwasher
14	B0010225	3/8" x 5/8" Bolt
15	C104021	Hopper Chain Guard
16	B001129	5/16" Wing Nut
NS	B0090052	R50 x 35 Pitch Roller Chain

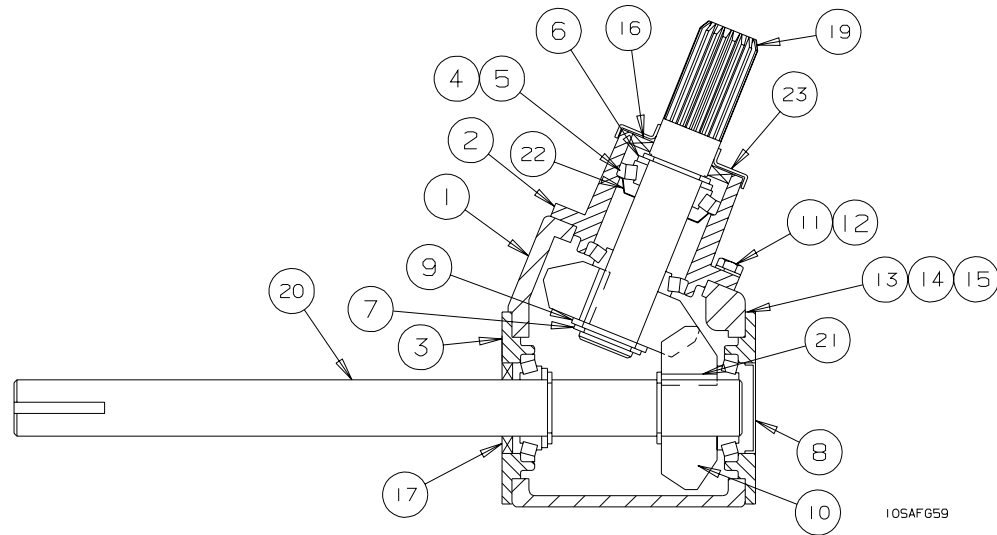
UPPER GEARBOX - 10" MDSA AUGER
SERIAL NOS. 83000 - 83999



REF #	PART NO.	DESCRIPTION
-------	----------	-------------

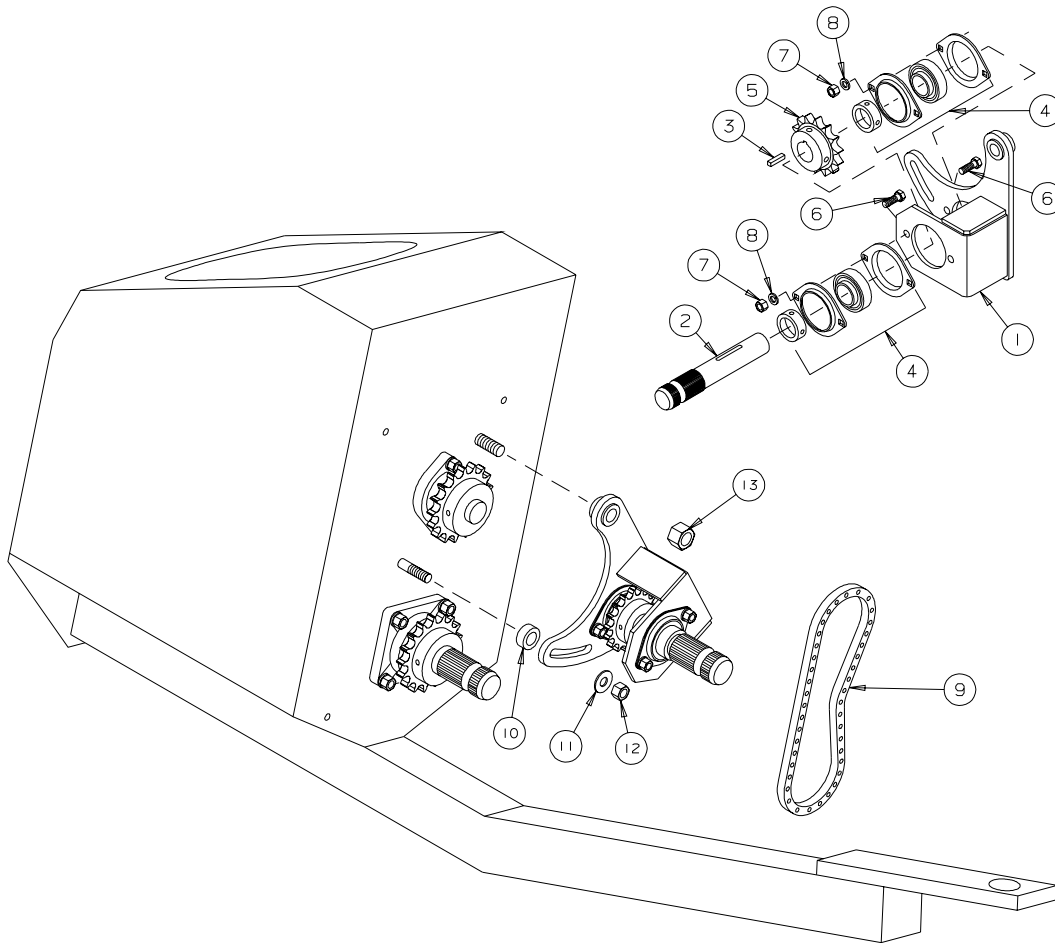
1	B191221	Gearbox Case
2	B191222	Bearing Housing-Sealed
3	B191223	Bearing Housing
4	B011603	Bearing Cone
5	B011602	Bearing Cup
6	B882237	Spacer
7	B191225	Snap Ring
8	B882231	Bearing Cap Plug
9	B191237	Shim - .007" x 1.25" ID
10	B191232	Gear 68 degree cut
11	B001009	5/16" x 3/4 Bolt
12	B001164	5/16" Lockwasher
13	B781357B	Shim - .005"
14	B781357N	Shim - .0075"
15	B781357Y	Shim - .010"
16	B882230	Seal
17	B882228	Seal
18	B781364	Pipe Plug- 1/4" NPT
19	B191226	Pinion Shaft
20	B191227	Cross Shaft
21	B781356	Key
22	B191235	Seal Shield
23	B191233	Grease Washer

LOWER GEARBOX - 10" MDSA AUGER
SERIAL NOS. 83000 - 83999



REF #	PART NO.	DESCRIPTION
1	B191221	Gearbox Case
2	B191222	Bearing Housing-Sealed
3	B191223	Bearing Housing
4	B011603	Bearing Cone
5	B011602	Bearing Cup
6	B882237	Spacer
7	B191225	Snap Ring
8	B882231	Bearing Cap Plug
9	B191237	Shim - .007" x 1.25" ID
10	B191232	Gear 68 degree cut
11	B001009	5/16" x 3/4 Bolt
12	B001164	5/16" Lockwasher
13	B781357B	Shim - .005"
14	B781357N	Shim - .0075"
15	B781357Y	Shim - .010"
16	B191228	Seal
17	B882228	Seal
18	B781364	Pipe Plug- 1/4" NPT
19	B191230	Pinion Shaft
20	B191231	Cross Shaft
21	B781356	Key
22	B191233	Grease Washer
23	B191234	Seal Shield

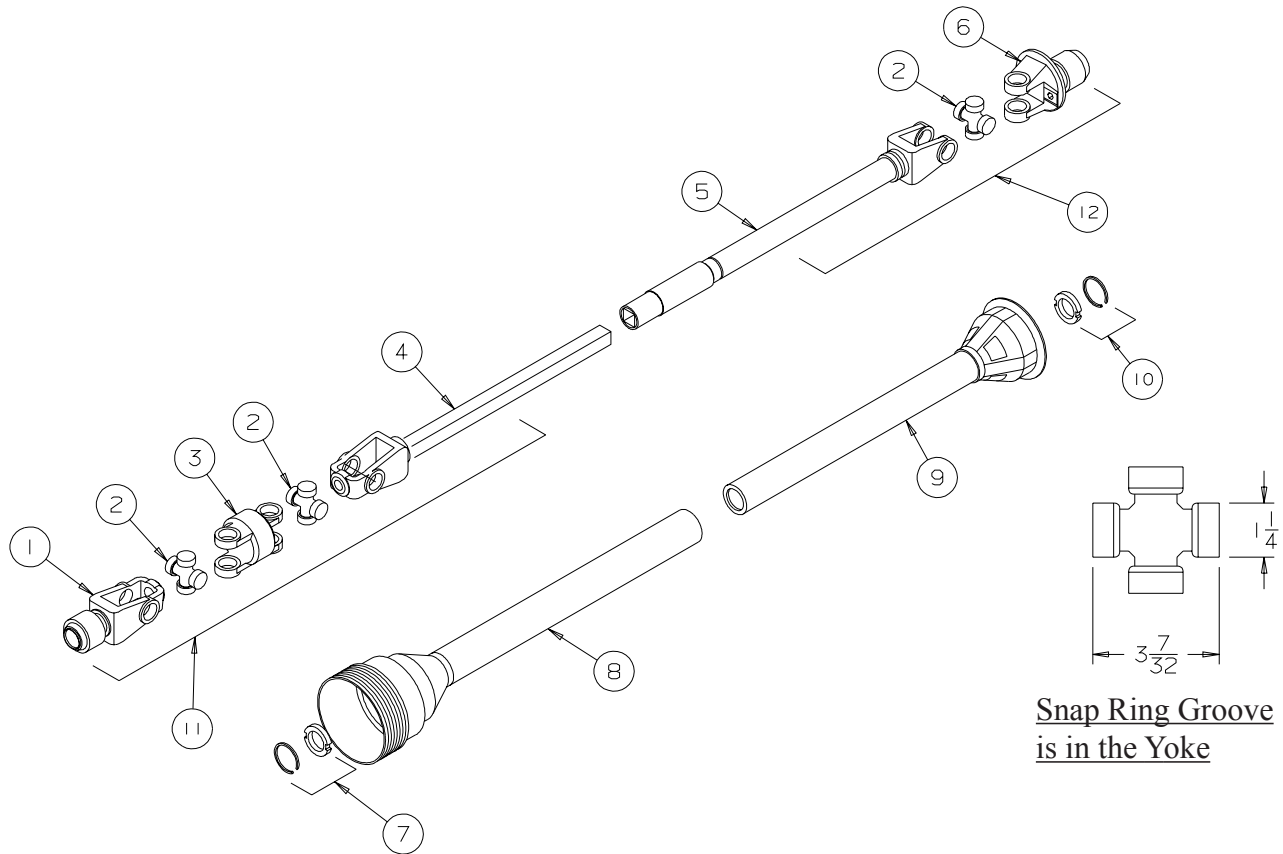
REVERSING KIT - 10" MDSA AUGER
SERIAL NOS. 83000 - 83999



10SAP4

REF #	PART NO.	DESCRIPTION
1	B194200	Reverser - Main Bracket
2	B032203	Reverser - Splined Shaft
3	B185206	1/4" Key x 1 1/8" Long
4	B017120	Bearing - 1 1/4" dia - 2 Bolt Flangette
5	B009027	60-14 Sprocket - 1 1/4" Bore
6	B001024	3/8" x 1" Hex Bolt
7	B001131	3/8" Hex Nut
8	B001165	3/8" Lockwasher
9	NPN	R60 Chain x 41 Pitch
10	B194201	1/2" Spacer Bushing
11	B001151	1/2" Flatwasher
12	B001136	1/2" Locknut
13	B001144	3/4" Locknut

WEASLER SERIES 35R - 50 CV
B0030491 - 10" HD MECHANICAL DRIVE SWING AWAY AUGERS



REF #	PART NO.	DESCRIPTION	QTY.
1	B003740	Implement Yoke - 21 Spline	1
2	B003715	Cross & Bearing Kit	3
3	B003741	Centre Housing	1
4	B003872	Output Yoke & Shaft - CV End	1
5	B003873	Input Yoke & Tube - Implement End	1
6	B003744	Shear Yoke Assembly - 6 Spline	2
7	B003738	Shield Bearing - CV End	1
8	B003876	Outer Shield	1
9	B003877	Inner Shield	1
10	B003745	Shield Bearing - Tractor End	1
11	B003870	Implement Half of Shaft c/w Guard - 21 Spline	1
12	B003871	Tractor Half of Shaft c/w Guard - 6 Spline	1
NS	B0010101	Shear Bolt - 5/16" x 1" Gr.8	1
NS	B003103	Shear Nut - 5/16" Stover Lock Nut	1