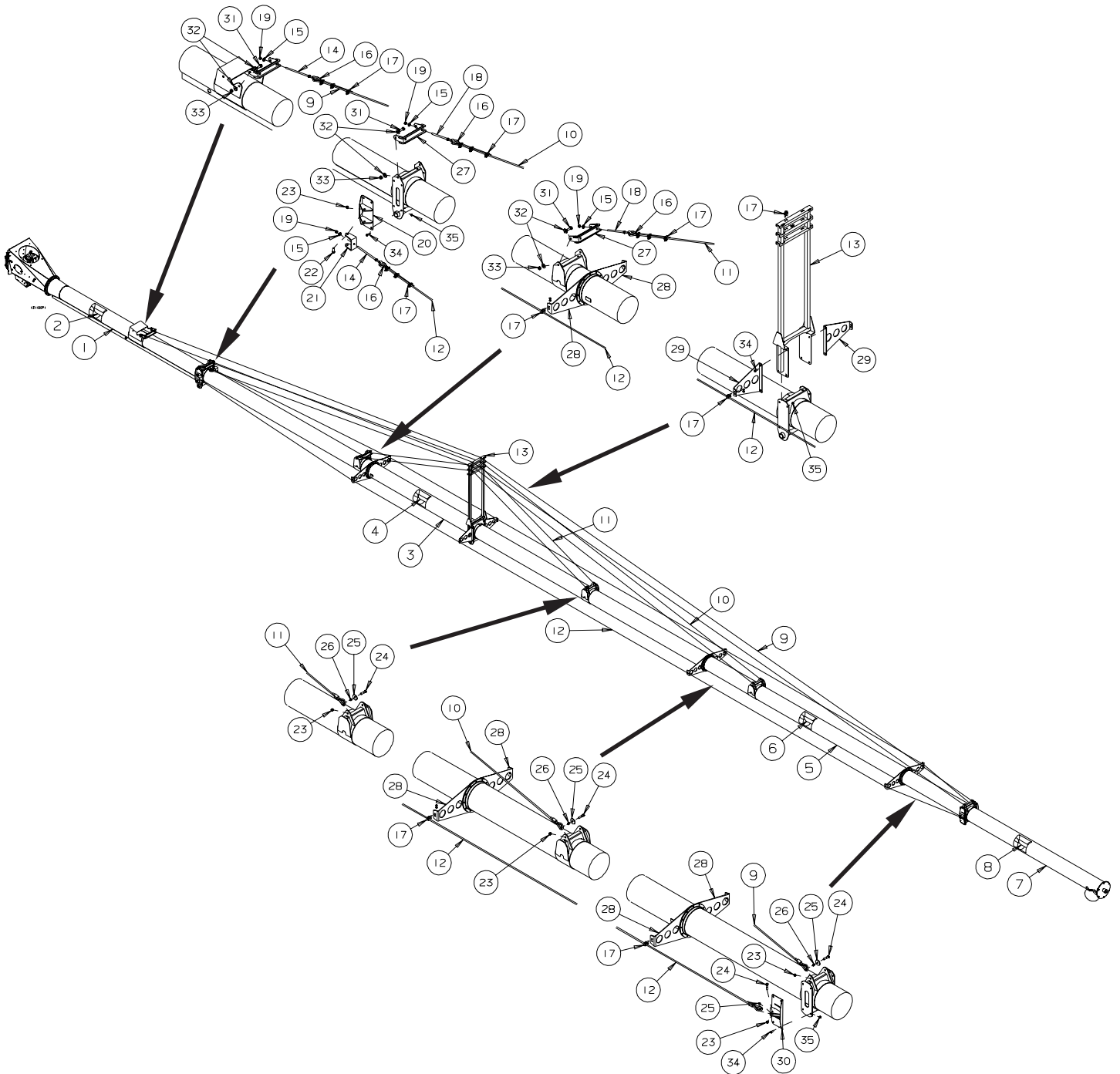


13110HP+ MDSA Auger

Parts List

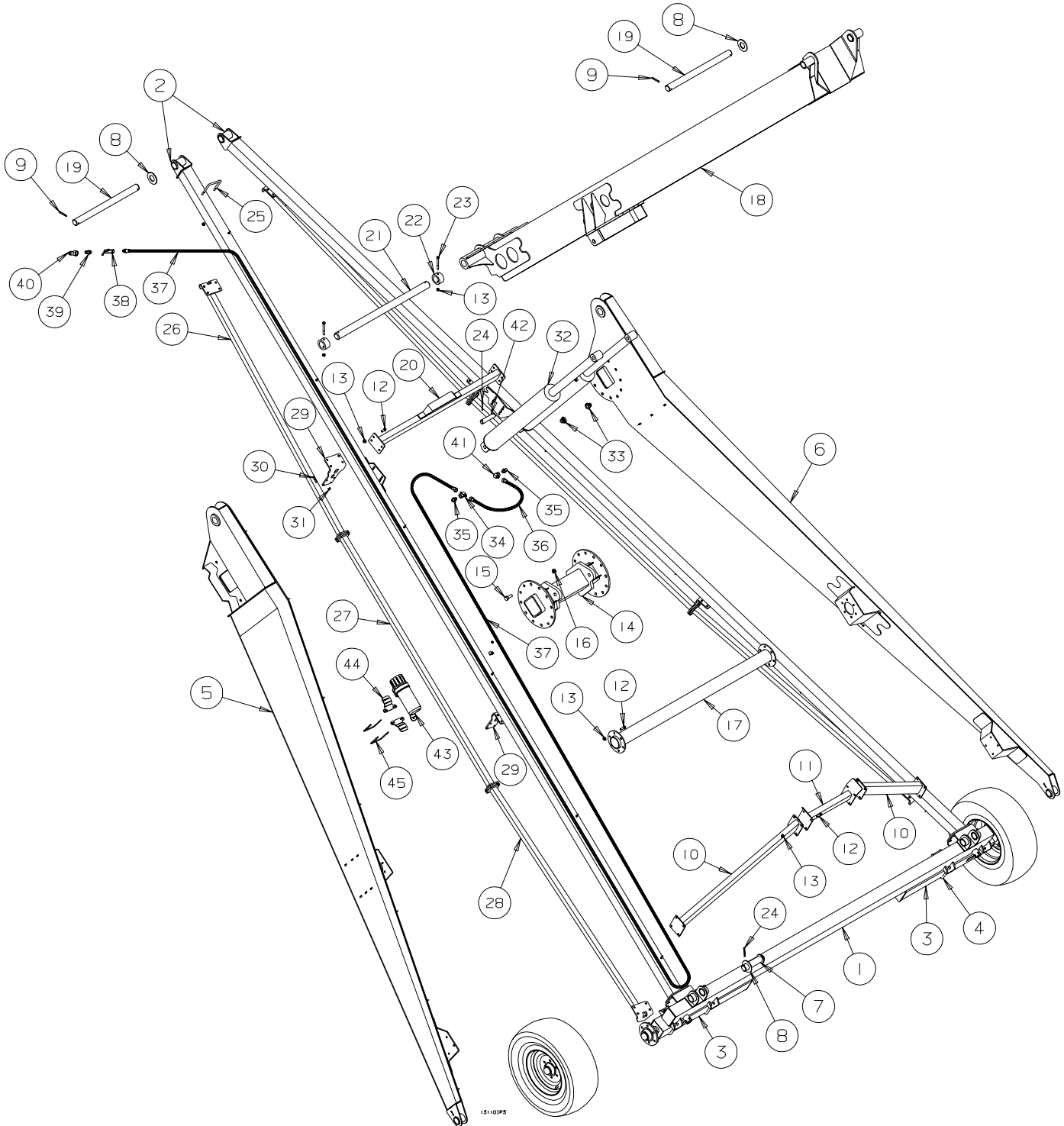
Serial No. 128000 - Present

110' TUBE ASSEMBLY - 13" HP MDSA AUGER
SERIAL NOS. 128000 - PRESENT



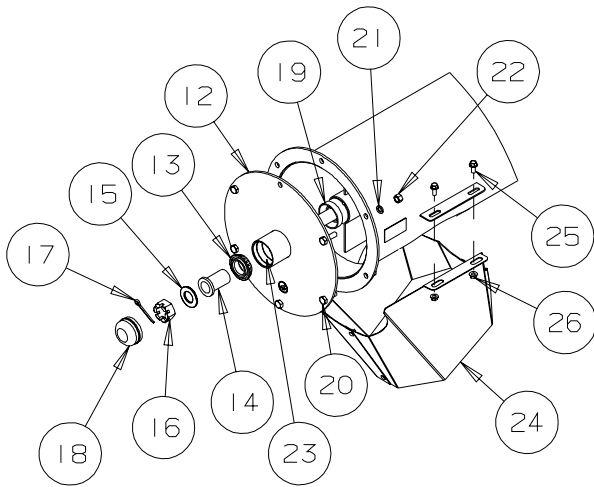
REF #	PART NO.	DESCRIPTION	QTY
1	C317471	Lower Tube Weldment	1
2	C306060	Lower Flight Weldment	1
3	C317472	Second Tube Weldment	1
4	C303612	Second Flight Weldment	1
5	C317473	Third Tube Weldment	1
6	C307100	Third Flight Weldment	1
7	C317474	Upper Tube Weldment	1
8	C306072	Upper Flight Weldment	1
9	B0083101	1/2" dia x 86' Truss Cable	2
10	B0083102	1/2" dia x 59' Truss Cable	2
11	B0083103	1/2" dia x 27' Truss Cable	2
12	B0083104	1/2" dia x 80' Truss Cable	2
13	C309872	Truss Tower	1
14	B0020247	5/8"x 16" Eyebolt	4
15	B001153	Eyebolt Bushing	8
16	B008086	1/2" Cable Thimble	8
17	B008085	1/2" Cable Clamp	38
18	B0020246	5/8"x 9 3/8" Eyebolt	4
19	B001139	5/8" Hex Nut	8
20	C309221	Side Cable Mount - Eyebolt end	2
21	C309222	Side Swivel Plate	2
22	B001069	5/8"x 1 1/2" Bolt	4
23	B0011415	5/8" Lock Nut	12
24	B001071	5/8"x 2 1/2" Bolt	8
25	B0020717	2.5" ODx 5/8" ID Washer	6
26	B002311	Buttite Spacer - 5/8" ID x 3/4" lg.	6
27	C309212	Cable Eye Swivel	3
28	C309219	Side Cable Mount - Flange	6
29	C309214	Side Cable Mount - Truss Tower	2
30	C309220	Side Cable Mount - Cable Eye end	2
31	B001100	3/4"x 2" Bolt	6
32	B001155	3/4" Flatwasher	12
33	B001154	3/4" Lock Nut	6
34	B001040	1/2"x 1 1/4" Bolt	24
35	B001134	1/2" Lock Nut	24

110' UNDERCARRIAGE ASSEMBLY - 13" HP MDSA AUGER
SERIAL NOS. 128000 - PRESENT

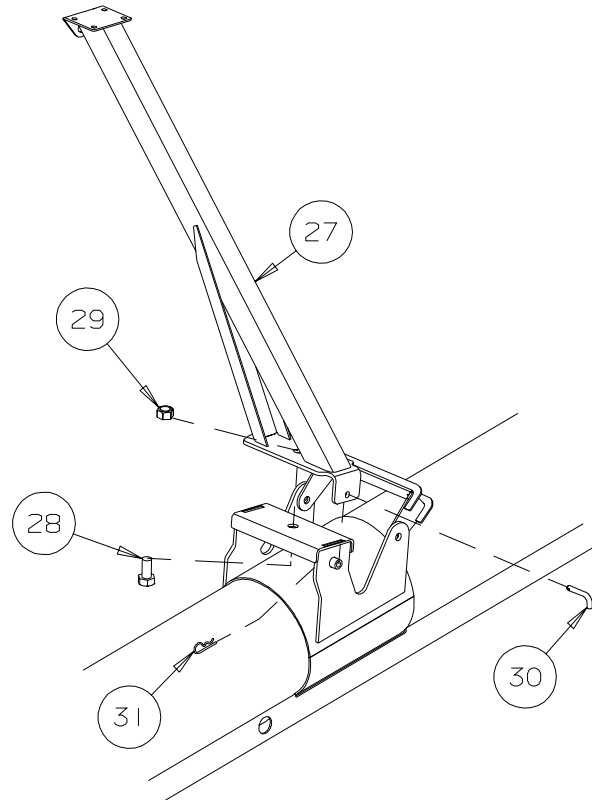


REF #	PART NO.	DESCRIPTION	QTY
1	C308173	Axle Weldment - 110'	1
2	C309147	Axle Arm - 110'	2
3	C302877	Axle Extension	2
4	B0020211	5/8"x 5" U-bolt x 6 1/2" lg.	4
5	C309148L	Lift Arm - 110' - Left	1
6	C309148R	Lift Arm - 110' - Right	1
7	C308172	Short Suspension Pin	2
8	B002700	3"OD x 2" ID Machinery Bushing	6
9	B0020613	3/8" x 3" Roll Pin	4
10	C309207	Transport Upright - 110'	2
11	C309208	Transport Rest Cross - 110'	1
12	B001040	1/2"x 1 1/4" Bolt	36
13	B001134	1/2" Lock Nut	70
14	C310150	Lift Cross - 110'	1
15	B001100	3/4"x 2" Bolt	24
16	B001154	3/4" Lock Nut	24
17	C309171	Tubular Cross Member	1
18	C310149	Ladder - 110'	1
19	C309215	Long Suspension Pin	2
20	C309206	Transport Rest	1
21	C310216	Scissor Pin	1
22	C310226	Scissor Pin Retainer	2
23	B001057	1/2" x 4 1/2" Bolt	2
24	B0020605	5/16" x 3" Roll Pin	6
25	B002018	1/2" x 4" U-bolt x 5 1/2"	16
26	C309209	Axle Arm Support - End	2
27	C309210	Middle Axle Arm Support	2
28	C309209	Axle Arm Support - End	2
29	C309211	Axle Arm Support Mount	4
30	B001027	3/8" x 1 3/4" Bolt	16
31	B0011326	3/8" Locking Flange Nut	16
32	B0191894	5"x 36" Hydraulic Cylinder	2
33	B0193051	#6 MORB Breather, 10 micron	2
34	B0194629	Tee - #6 MJIC x #6 FJIC x #6 MJIC	1
35	B019416	#6 MORB x #6 MJIC Adapter Nipple - 1/16" Rest.	2
36	B019249	3/8" Hydraulic Hose x 18" - #6 FJIC both ends	1
37	B0192935	3/8" Hydraulic Hose x 75' - 3/8" MPT x #6 FJIC	1
38	B019300	3/8" FPT Hydraulic Ball Valve	1
39	B019516	1/2" MPT x 3/8" MPT Reducer Nipple	1
40	B019200	Pioneer Male Tip - 1/2" MPT	1
41	B019476	#6 MJIC x #6 FJIC Elbow	1
42	C308190	Hydraulic Cylinder Pin	2
43	B0275102	Round Manual Holder	1
44	C314500	Manual Holder Mount	2
45	B0020104	1/4" x 4" U-Bolt	2

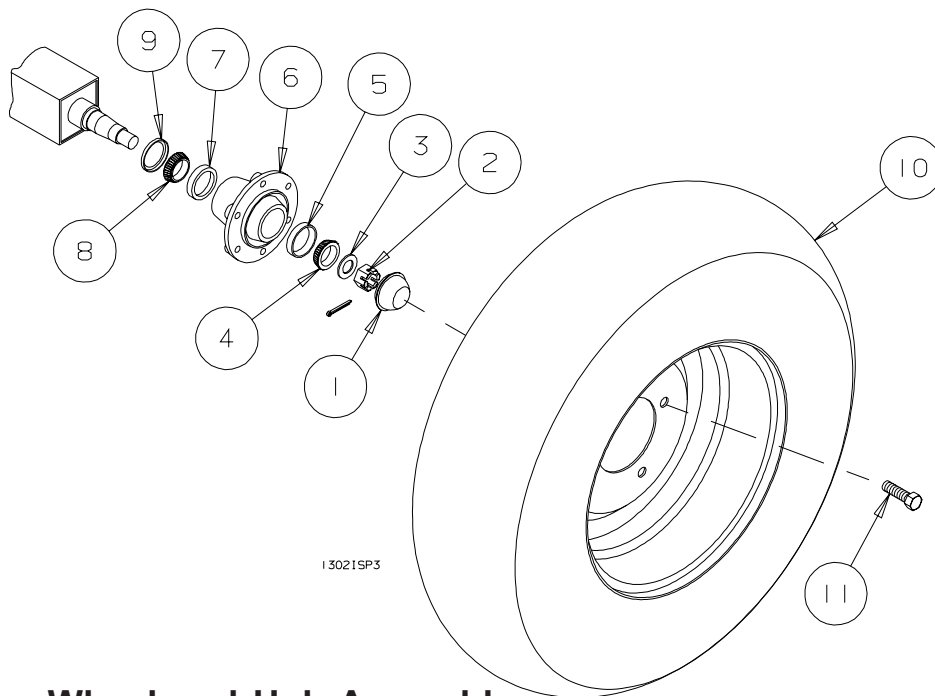
COMMON PARTS - 13" HP MDSA AUGER
SERIAL NOS. 128000 - PRESENT



Upper Tube
Head End Assembly



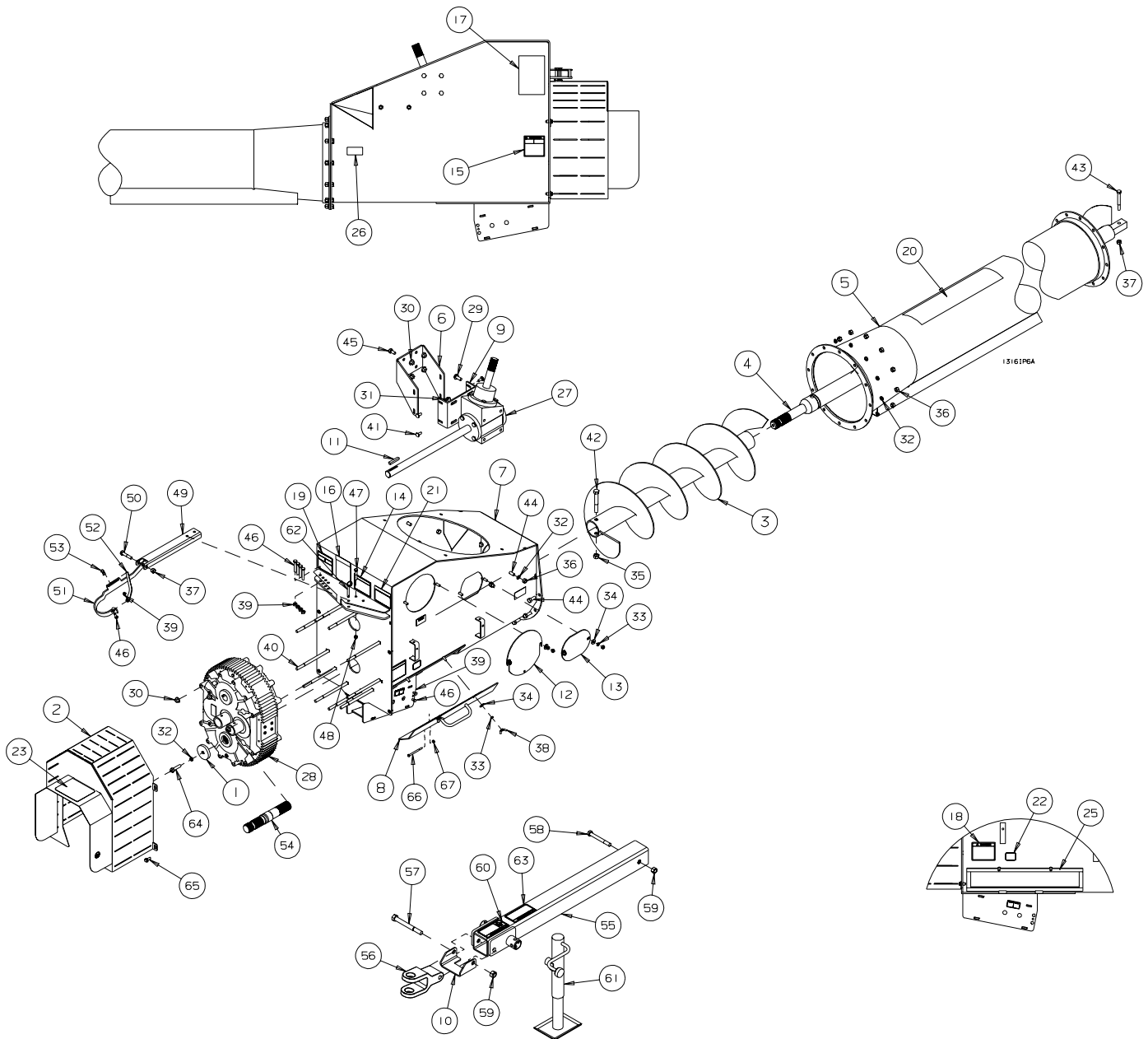
Lift Arm



Wheel and Hub Assembly

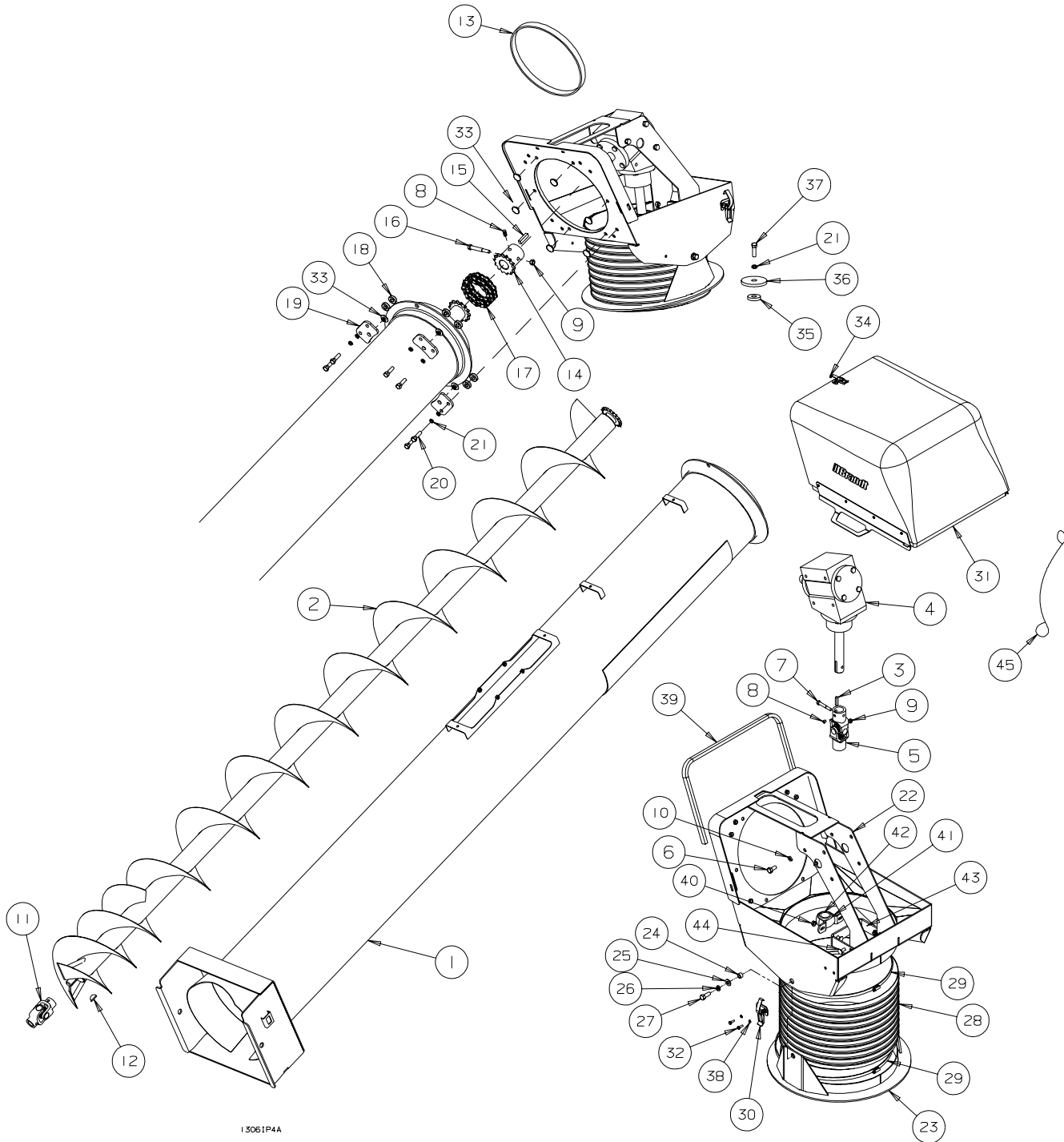
REF #	PART NO.	DESCRIPTION	QTY
1	B011503	Dust Cap - 6 Bolt Hub	1 per hub
2	B011681	1" Castle Nut	1 per hub
3	B001158	1" SAE Flatwasher	1 per hub
4	B011603	Outer Cone - 6 Bolt Hub - LM67048	1 per hub
5	B011602	Outer Cup - 6 Bolt Hub - LM67010	1 per hub
6	B011003	6 Bolt Hub c/w Bearings	1 per hub
7	B011652	Inner Cup - 6 Bolt Hub - LM29710	1 per hub
8	B011651	Inner Cone - 6 Bolt Hub - LM29749	1 per hub
9	B011650	Grease Seal - 6 Bolt Hub - 17617	1 per hub
10	B011217	ST235/85R16 Tire and Rim - 12 Ply	1 per hub
11	B011504	Wheel Bolt	6 per hub
12	2050350	Thrust End Plate	1
13	B011651	Tapered Roller Bearing - LM 29749	1
14	B011710	Tapered Bearing Bushing	1
15	B001180	1 1/8" SAE Flatwasher	1
16	B011629	Spindle Nut - 1 1/4" - 12 UNF	1
17	B002054	3/16"x 2" Cotter Pin	1
18	B011502	Dust Cap - DC15	1
19	B011649	Grease Seal - SE11	1
20	B001041	1/2"x 1 1/4" Bolt	6
21	B001167	1/2" Lockwasher	6
22	B001135	1/2" Hex Nut	6
23	B011652	Bearing Race - LM 29710	1
24	C315457	13" Down Spout	1
25	B001433	3/8"x 1" Serrated Flange Bolt	4
26	B0011326	3/8" Locking Flange Nut	4
27	C310303	Swing Tube Lift Arm	1
28	B0011153	1" x 2" Bolt	1
29	B001075	1" Stover Lock Nut	1
30	B0020297	1/2" x 2 3/4" L-Pin	1
31	B002094	1/8" x 2 9/16" Hair Pin Clip	1

INTAKE BOOT ASSEMBLY - 13" HP MDSA AUGER
SERIAL NOS. 128000 - PRESENT



REF	PART NO.	DESCRIPTION	QTY	REF	PART NO.	DESCRIPTION	QTY
1	C306081	Retaining Washer	1	36	B001135	1/2" Nut	16
2	C316542A	Gearbox Front Guard	1	37	B001134	1/2" Stover Lock Nut	2
3	C306061	13" Booster Flight	1	38	B0011327	3/8" Wing Nut	4
4	C306060	Lower Flight Weld	1	39	B0011275	5/16" Lock Nut Weasler	4
5	C317471	Lower Tube Weld	1	39	B001350	10mm Lock Nut Walterscheid	4
				40	B0010934	1/2"x 9" Carriage Bolt	10
6	C316535	Outer Gearbox Mount	1				
7	C317540A	HP Boot Weld	1	41	B001082	3/8"x 1" Carriage Bolt	6
8	C317541	Boot Cleanout Door	1	42	B0010741	5/8"x 4 1/2" Bolt- Gr.8	1
9	C316536	Inner Gearbox Mount	1	43	B0010575	1/2"x 4" Bolt - Gr.8	1
10	C314452	Swivel Hitch Support	1	44	B001040	1/2"x 1 1/4" Bolt	12
				45	B001039	1/2"x 1" Bolt	4
11	C202407	5/16"x 2" Key	1				
12	B198362	Boot Access Cover	1	46	B001010	5/16"x 1" Bolt-Gr.5 Weasler	4
13	C116471	Access Cover	1	46	B001298	M10x 60-Gr.8.8 Walterscheid	4
14	B029410	Swing Auger Decal	1	47	B001030	3/8"x 2 1/4" Bolt	1
15	B029350	Hydraulic Oil Decal	1	48	B0011325	3/8" Stover Lock Nut	1
				49	C306075	PTO Channel Support	1
16	B029340	Remove PTO Decal	1	50	B001048	1/2"x 3" Bolt	1
17	B029330	Needle Valve Decal	1				
18	B029310	Cleanout Covers Decal	1	51	C306076	13" PTO Holder	1
19	B029111	Moving Part Hazard Decal	1	52	C305026	PTO Clasp	1
20	B029100	Combo. Danger Decal	1	53	B002094	1/8"x 1 9/16" Hair Pin	1
				54	B0030081	Gearbox Drive Shaft	1
21	B029091	Caution Hot Surface Decal	1	55	C311367	13" Hitch Tube	1
22	B029075	13" HP Shear Bolt Decal	1				
23	B0290615	13" HP Hitch/PTO Decal	1	56	C311318	Cast Hitch Clevis	1
24	B001433	3/8"x 1" SF Bolt	4	57	B001112	3/4" x 7" Bolt	1
25	B021994	1/8"x 3/4" Foam	5.0'	58	B0011105	3/4" x 5 1/2" Bolt	1
				59	B001143	3/4" Lock Nut	2
26	B0210275	Amber Reflect. Tape	2	60	B029970	Hitch Pin Decal	1
27	B0030234	13" HP Lower Gearbox	1				
28	B003008	Helical Gearbox	1	61	B030500	5000 lb Side Wind Jack	1
29	B001453	1/2"x 1" SF Bolt	4	62	B002104	3/8"x 2" Quick Release Pin	1
30	B001409	1/2" SF Nut	14	63	B029971	Safe Transport Decal	1
				64	D615354	Lower Flight Bolt c/w zerk	1
31	B001405	3/8" SF Nut	4	65	B0010062	1/4" x 3 1/2" Bolt	2
32	B001167	1/2" Lock Washer	17				
33	B001165	3/8" Lock Washer	4	66	B001124	1/4" Lock Nut	2
34	B001149	3/8" Flat Washer	4				
35	B0011415	5/8" Lock Nut	1				

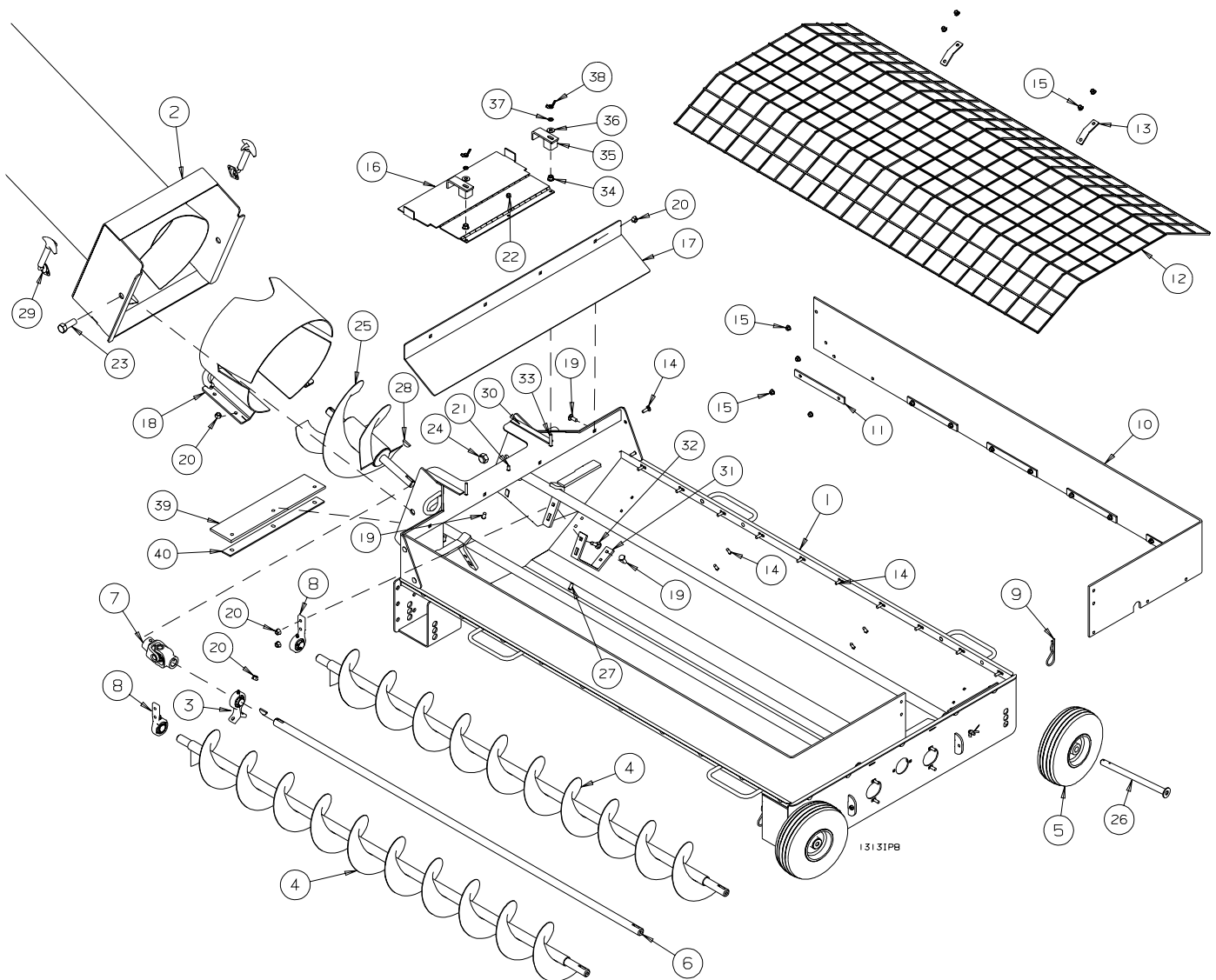
SWING TUBE ASSEMBLY - 13" HP MDSA AUGER
SERIAL NOS. 128000 - PRESENT



13061P4A

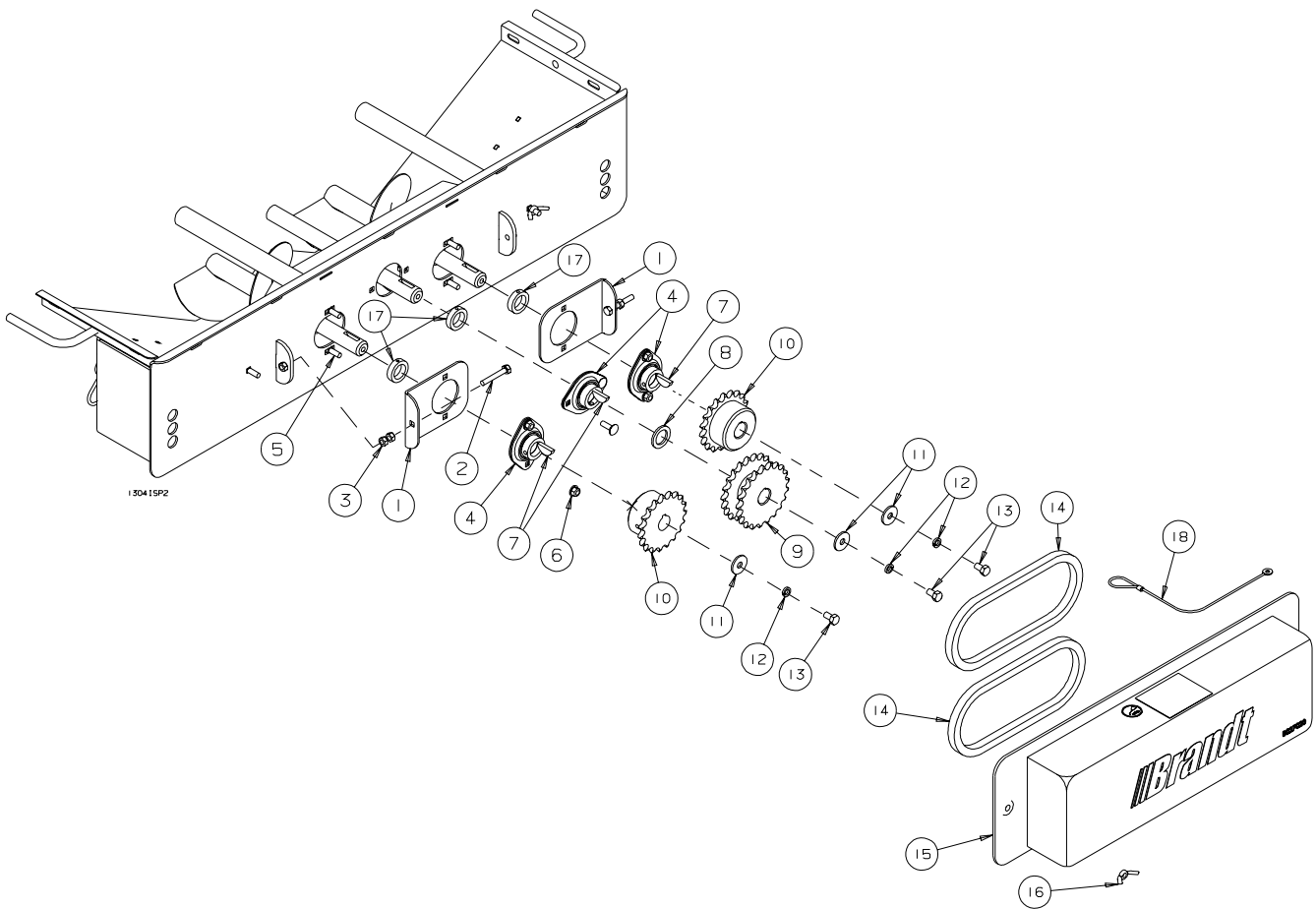
REF #	PART NO.	DESCRIPTION	QTY
1	2050138	Swing Tube Assembly	1
2	C305034	Swing Tube Flight	1
3	B194012	5/16" x 1 1/2" Key	1
4	B0030245	Gearbox 1:1 - Upper	1
5	B032137	U-Joint - 1 3/8" x 21 Spline	1
6	B001039	1/2" x 1" Bolt	6
7	B001032	3/8" x 2 1/2" Hex Bolt - GR 5	1
8	B002041	3/8" x 3/8" Set Screw	2
9	B0011325	3/8" Lock Nut	2
10	B001167	1/2" Lock Washer	6
11	B0321125	1" x 1" U-Joint - 6R	1
12	B009700	1.25" x .25" Woodruff Key - #810	1
13	13684	Spout Tube Seal	1
14	B0090026	#50 - 18 Sprocket - 1 3/8" Bore	1
15	B496680	5/16" x 1 1/2" Key	1
16	B001037	3/8" x 3" Bolt - Gr.8	1
17	B009593	50-2 Chain - 18 Pitch	1
18	B027499	Plastic Spacer Bushing - 1" OD x 5/16" thick	8
19	C100870	Retainer Plate	4
20	B001025	3/8" x 1 1/4" Bolt	8
21	B001165	3/8" Lockwasher	12
22	C306028	Upper Spout Swivel	1
23	C306067	Lower Spout Swivel	1
24	C306042	Swivel Bushing	2
25	B001152	1/2" SAE Flatwasher	2
26	B001167	1/2" Lock washer	2
27	B001040	1/2" x 1 1/4" Bolt	2
28	C305019	18" Downspout Hose x 12"	1
29	B024211	10" Hose Clamp	2
29	B024085	7" Hose Clamp	2
30	B021100	Large Latch Assembly	2
31	C306029	Plastic Spout Cover Assembly	1
32	B001002	1/4" x 3/4" Bolt	4
33	B027500	Plastic Wear Bushing	10
34	B021110	Small Latch Assembly	1
35	B027498	Small Swing Tube Spacer - 1.1" OD x 3/8" thick	4
36	B198361	Large Swing Tube Retainer	4
37	B001031	3/8"x 1 1/2" Bolt	4
38	B001163	1/4" Lock Washer	4
39	13696	Spout Cover Seal	1
40	B001405	3/8" Serrated Flange Nut	4
41	B017040	Bearing Housing	1
42	B017044	1 3/8" ID Wood Bearing	1
43	C306064	Spout Steady Bearing Mount	1
44	B001082	3/8"x 1" Carriage Bolt	4
45	B008801	24" Cable Lanyard	1

SWING HOPPER ASSEMBLY - 13" HP MDSA AUGER
SERIAL NOS. 128000 - PRESENT



REF #	PART NO.	DESCRIPTION	QTY
1	C318516	Swing Hopper Weldment	1
2	2050138	13" HP Swing Tube	1
3	C311382	Driveline Hanger Assembly c/w Bearing	1
NS	B017261	1" Bearing only	
4	C104009H	Right Hopper Flight - Heavy	2
5	B011046	10" Dia Hopper Solid Tire & Rim - 3/4" Bore	4
6	C306005	13" Hopper Driveshaft	1
7	B0321125	1" x 1" U-Joint - 6R	1
8	C311380	Flight Hanger Assembly c/w Bearing	2
NS	B017261	1" Bearing only	
9	B002091	.177" x 3 3/4" Hair Pin Clip	4
10	B0210418	Rubber Hopper Extension	2
11	B198071	Aluminium Hold Down Strap	12
12	C104010	Hopper Safety Grate	1
13	B198358	Hopper Mesh Retainer	4
14	B0010811	5/16" x 1" Carriage Bolt	36
15	B0011276	5/16" Flange Lock Nut	36
16	C112013A	Transition Cover	1
17	C306011	Baffle Plate	1
18	C315460A	13HP Transition Flight Mount Assembly	1
NS	B017261	1" Bearing only	
19	B001082	3/8" x 1" Carriage Bolt	8
20	B001405	3/8" Serrated Flange Nut	22
21	B001081	5/16" x 3/4" Carriage Bolt	3
22	B001127	5/16" Lock Nut	3
23	B0010988	3/4" x 1 1/4" Bolt	2
24	B001143	3/4" Lock Nut	2
25	C306006C	13" Transition Flight	1
26	B198856	Hopper Wheel Pin	4
27	B001433	3/8" x 1" Serrated Flange Bolt	6
28	B009700	1.25" x .25" Woodruff Key - #810	3
29	B0219992	Rubber Latch	2
30	C104022	Hopper Foam Seal	2
31	C311246	Hopper Flight Support	2
32	B001083	3/8" x 1 1/2" Carriage Bolt	4
33	B0010807	5/16" x 2" Carriage Bolt	2
34	B001400	5/16" Serrated Flange Nut	2
35	C116996	Transition Cover Holder	2
36	B001148	5/16" Flatwasher	2
37	B001164	5/16" Lockwasher	2
38	B001129	5/16" Wing Nut	2
39	C318464	Rubber Seal	1
40	C318465	Seal Retaining Plate	1

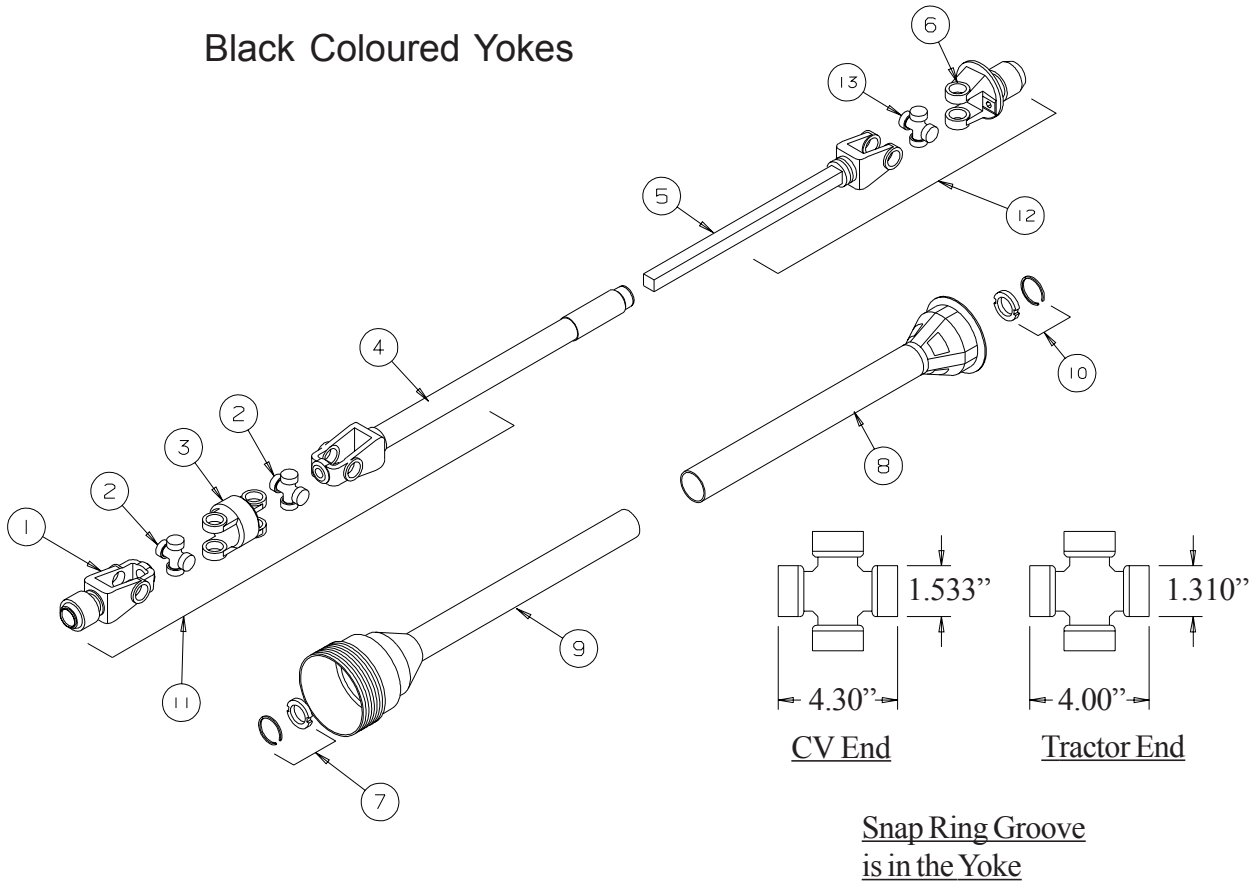
SWING HOPPER DRIVE ASSEMBLY - 13" HP MDSA AUGER
SERIAL NOS. 128000 - PRESENT



REF #	PART NO.	DESCRIPTION	QTY
1	C104017	Chain Tension Plate	2
2	B0010213	5/16" x 2" Full Thread Bolt	2
3	B001126	5/16" Nut	4
4	B017111	1" - 2 Bolt Flangette Bearing	3
5	B0010811	5/16" x 1" Carriage Bolt	6
6	B0011276	5/16" Locking Flange Nut	6
7	B009700	1.25" x .25" Woodruff Key - #810	3
8	B002073	1 1/2" OD x 1" ID x 10 Ga Machinery Bushing	1
9	B0090021	50-21 Double Sprocket - 1" Bore	1
10	B0094127	50-15 Sprocket - 1" Bore - Extended Hub	2
11	B0020718	1 1/4" OD x 3/8" ID Washer	3
12	B001165	3/8" Lockwasher	3
13	B0010225	3/8" x 5/8" Bolt	3
14	B0090052	R50 x 33 Pitch Roller Chain c/w Offset & Conn Link	2
15	C104021	Hopper Chain Guard	1
16	B001129	5/16" Wing Nut	2
17	B0210011	1" ID Collar	3
18	B008800	24" Cable Lanyard	1

WEASLER SERIES 44E - 50 CV - 1 3/4" 20 SPLINE B003076
13"x 110' HP MDSA AUGERS SERIAL NO. 128000 - PRESENT

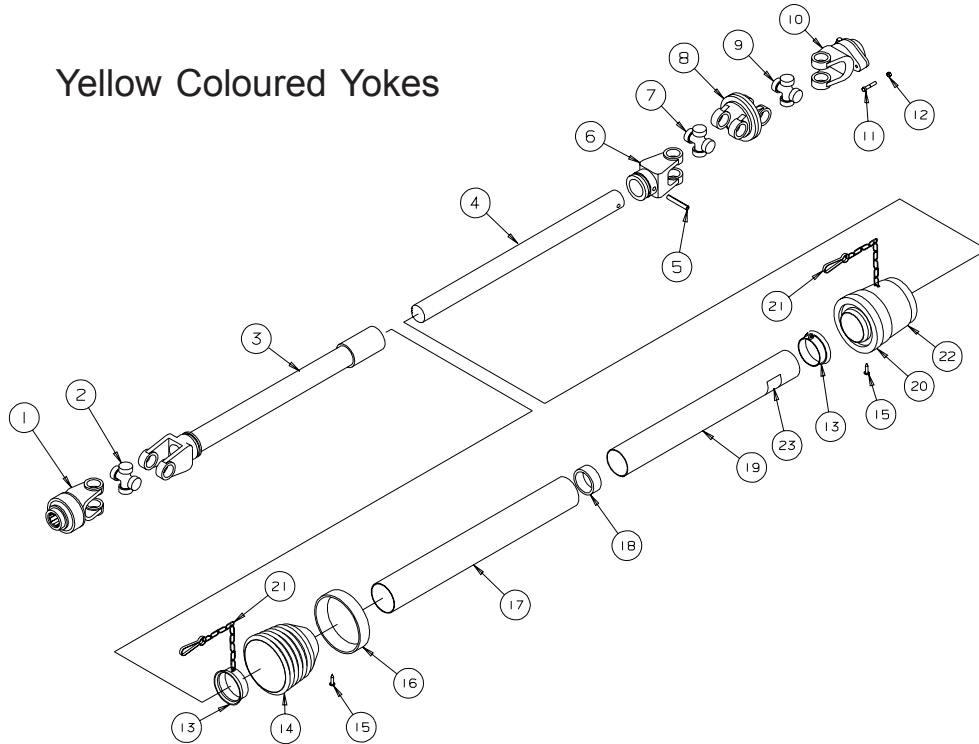
Black Coloured Yokes



REF #	PART NO.	DESCRIPTION	QTY.
1	B003960	Implement Yoke - 1 3/4" 20 Spline	1
2	B0037175	Cross & Bearing Kit	2
3	B003821	Centre Housing	1
4	B003973	Output Yoke & Tube - CV End	1
5	B003972	Input Yoke & Shaft - Tractor End	1
6	B003974	Shear Yoke Assembly - 1 3/4" 20 Spline	1
7	B003935	Shield Bearing - CV End	1
8	B003976	Outer Shield	1
9	B003977	Inner Shield	1
10	B003965	Shield Bearing - Tractor End	1
11	B003978	Implement Half of Shaft c/w Guard - 1 3/4" 20 Spline	1
12	B003979	Tractor Half of Shaft c/w Guard - 1 3/4" 20 Spline	1
13	B0037161	Cross & Bearing Kit	1
NS	B003102	Shear Bolt - 5/16" x 1" Gr.5	2
NS	B003103	Shear Nut - 5/16" Stover Lock Nut	2

WALTERSCHEID SERIES PWE580 - 1 3/4" 20 SPLINE B003076G
13"x 110' HP MDSA AUGERS

Yellow Coloured Yokes

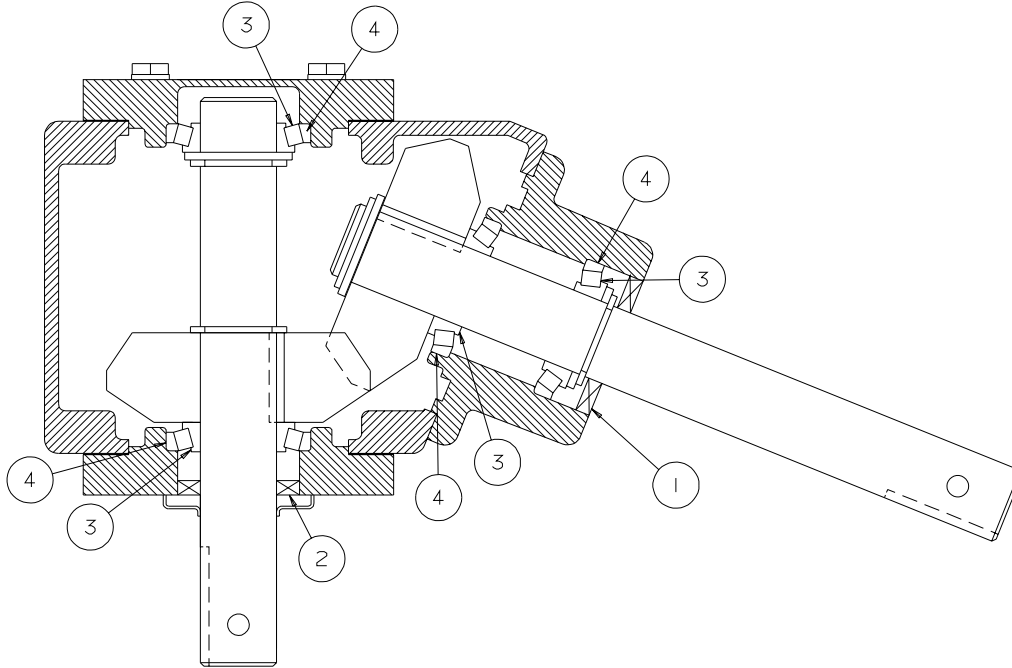


REF #	PART NO.	DESCRIPTION	QTY.
1	B00377610	Inboard Yoke - Tractor End - 1 3/4"- 20 Spline	1
2	B00377309	Cross & Bearing Kit	1
3	B00377308	Outer Tube & Sleeve - Tractor End	1
4	B00377307	Inner Shaft - Implement End	1
5	B00377306	Spring Pin - 10mm x 75mm	1
6	B00377305	Outboard Yoke - Implement End	1
7	B00377304	Cross & Bearing Kit	1
8	B00377303	Double Yoke	1
9	B00377302	Cross & Bearing Kit	1
10	B00377301	Shear Bolt Clutch Yoke - 1 3/4"- 20 Spline	1
11	B001298	Shear Bolt - 10mm x 60mm - Gr.8.8	1
12	B001350	Shear Nut - 10mm	1
13	B00377313	Bearing Ring	2
14	B00377316	Guard Cone - 7 Rib	1
15	B003994007	Shield Screw	10
16	B00377322	Reinforcing Collar	1
17	B00377315	Inner Shield Tube	1
18	B003994011	Support Bearing	1
19	B00377314	Outer Shield Tube	1
20	B00377312	Flex Net & Guard Assembly	1
21	B003994010	Restraint Chain	2
22	B00377311	CV Guard & Bearing Assembly	1
23	B00377323	Lubrication Decal	1
NS	B003787	Implement End of Shaft c/w Guard - 1 3/4" 20 Spline	1
NS	B003789	Tractor End of Shaft c/w Guard - 1 3/4" 20 Spline	1

UPPER GEARBOX - B0030245

13" HP MDSA AUGERS

HP SERIES AUGER



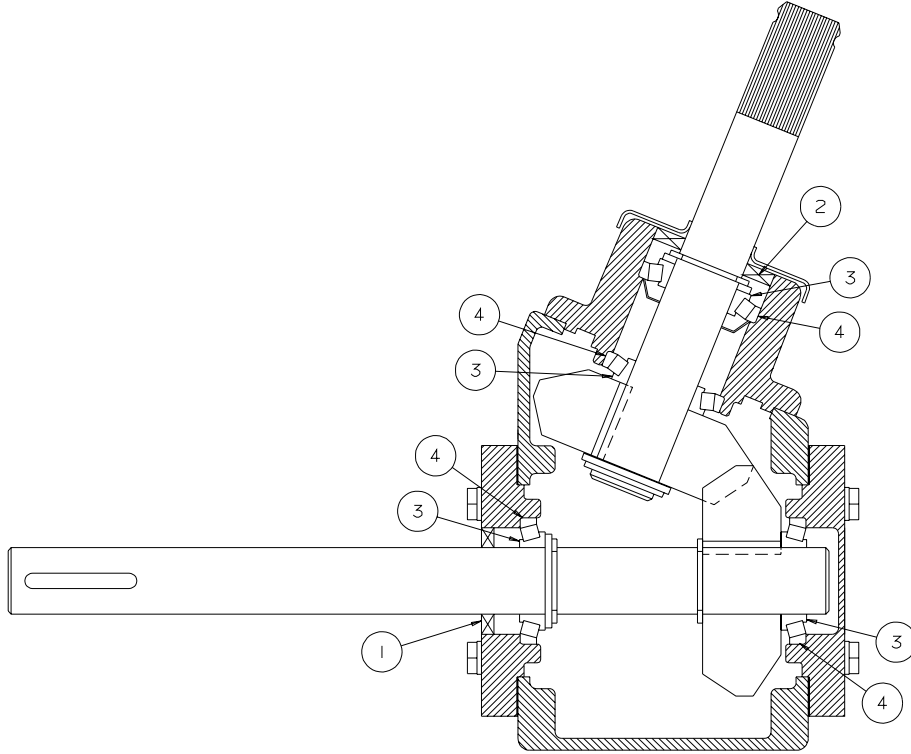
Upper Gearbox - B0030245

REF #	PART #	DESCRIPTION	QTY
1	B003023510	Input Shaft Seal	1
2	B003023511	Output Shaft Seal	1
3	B003023505	Bearing Cone LM48548	4
4	B003023506	Bearing Cup LM48510	4

LOWER GEARBOX - B0030234

13" HP MDSA AUGERS

HP SERIES AUGER

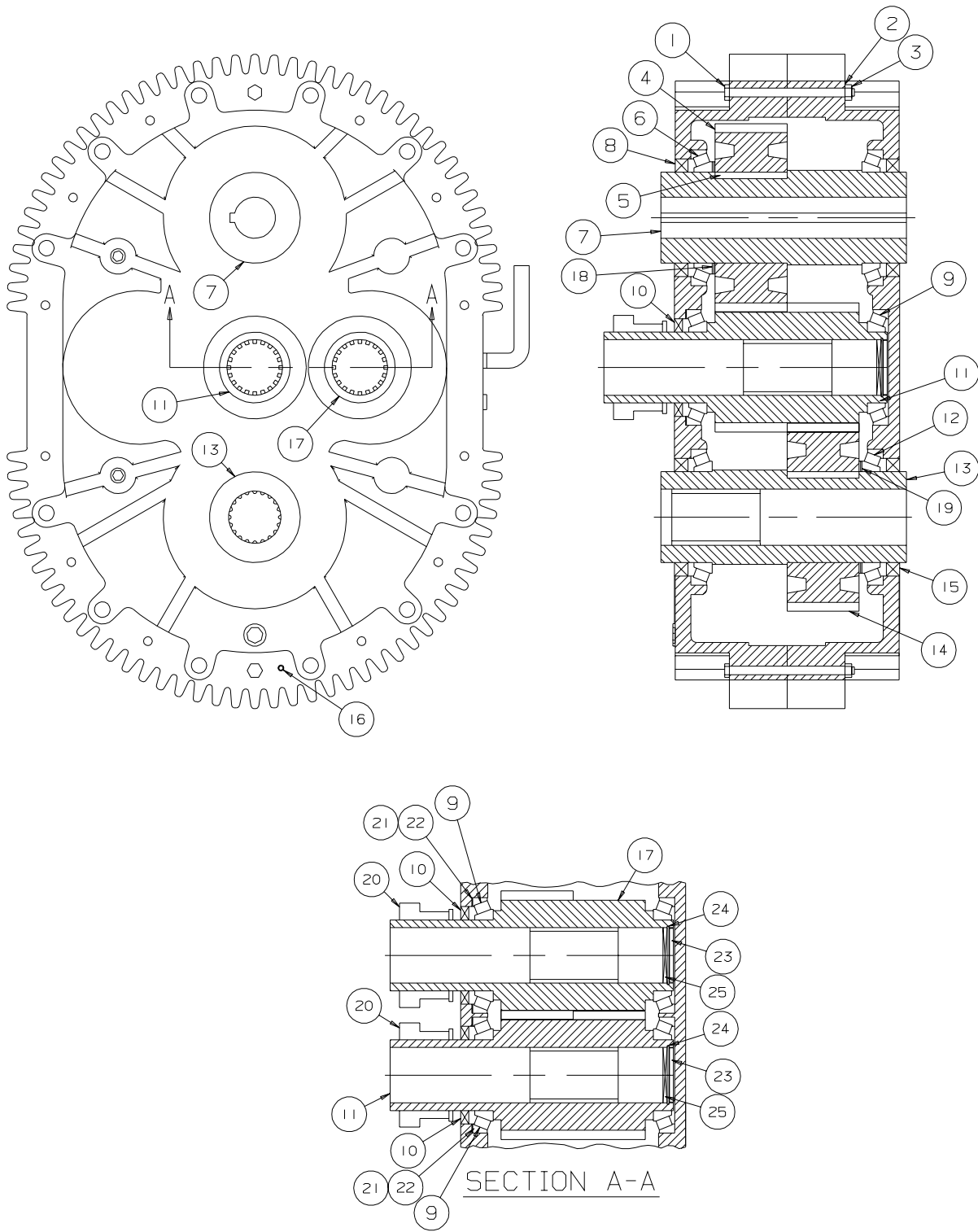


Lower Gearbox - B0030234

REF #	PART #	DESCRIPTION	QTY
1	B003023511	Input Shaft Seal	1
2	B003023510	Output Shaft Seal	1
3	B003023505	Bearing Cone LM48548	4
4	B003023506	Bearing Cup LM48510	4

MAIN DRIVE GEARBOX - B003008

13" HP MDSA AUGERS



B003008 13" HP AUGER DECREASER GEARBOX - 1.84: 1 - COMPLETE

REF #	PART NO.	DESCRIPTION	QTY
1	B00300803	5/16" x 110mm BOLT	14
2	B00300804	5/16" WASHER	14
3	B00300805	5/16" NUT	14
4	B00300806	OUTPUT GEAR, M4.5, 35 TOOTH	1
5	B00300807	KEY, 12mm x 8mm x 49mm	2
6	B00300814	BEARING, 32015	2
7	B00300809	OUTPUT SHAFT c/w KEY	1
8	B00300810	VITON SEAL, 95mm x 75mm x 10mm	2
9	B00300811	BEARING, 32912	4
10	B00300812	SEAL, 80mm x 60mm x 10mm	2
11	B00300813	IDLER SLEEVE, 19 TOOTH	1
12	B00300814	BEARING, 32015	2
13	B00300815	OUTPUT SHAFT c/w SPLINE	1
14	B00300816	OUTPUT GEAR, M4.5, 35 TOOTH	1
15	B00300810	VITON SEAL, 95mm x 75mm x 10mm	2
16	B00300818	PIN, 5mm x 30mm	2
17	B00300822	INPUT SHAFT, 19 TOOTH	1
18	B00300823	SPACER	A/R
19	B00300824	SPACER	A/R
20	B00300825	LOCKING SYSTEM	2
21	B00300830	SHIM - 85mm OD x 75mm ID x 0.1mm	AR
22	B00300831	SHIM - 85mm OD x 75mm ID x 0.2mm	AR
23	B00300832	STAMPING COVER	2
24	B00300833	SNAP RING	2
25	B00300834	SEAL COVER	2
NS	B0030081	REMOVABLE INPUT SHAFT, 1 3/4"	1