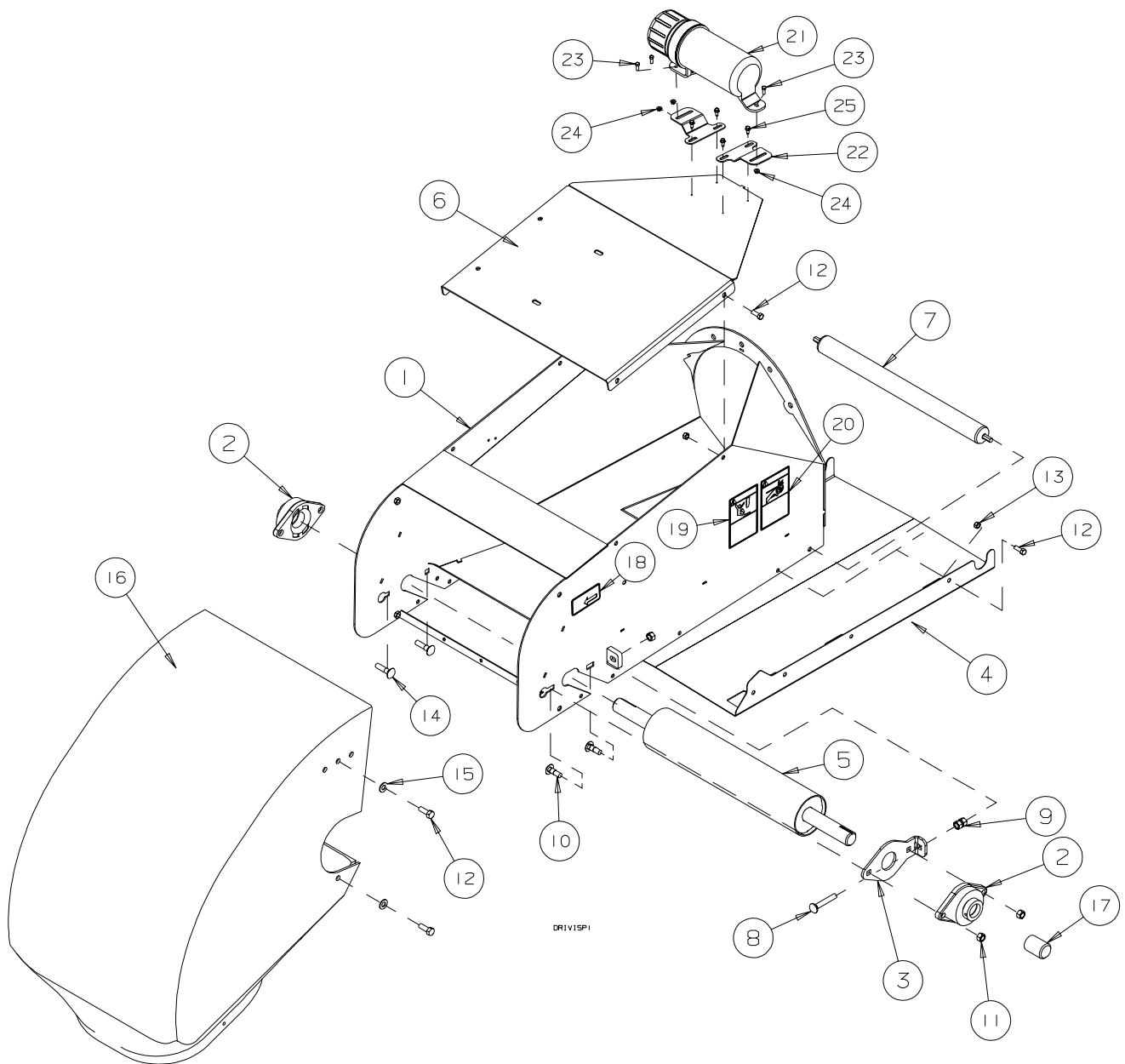


Section 7
Parts Lists

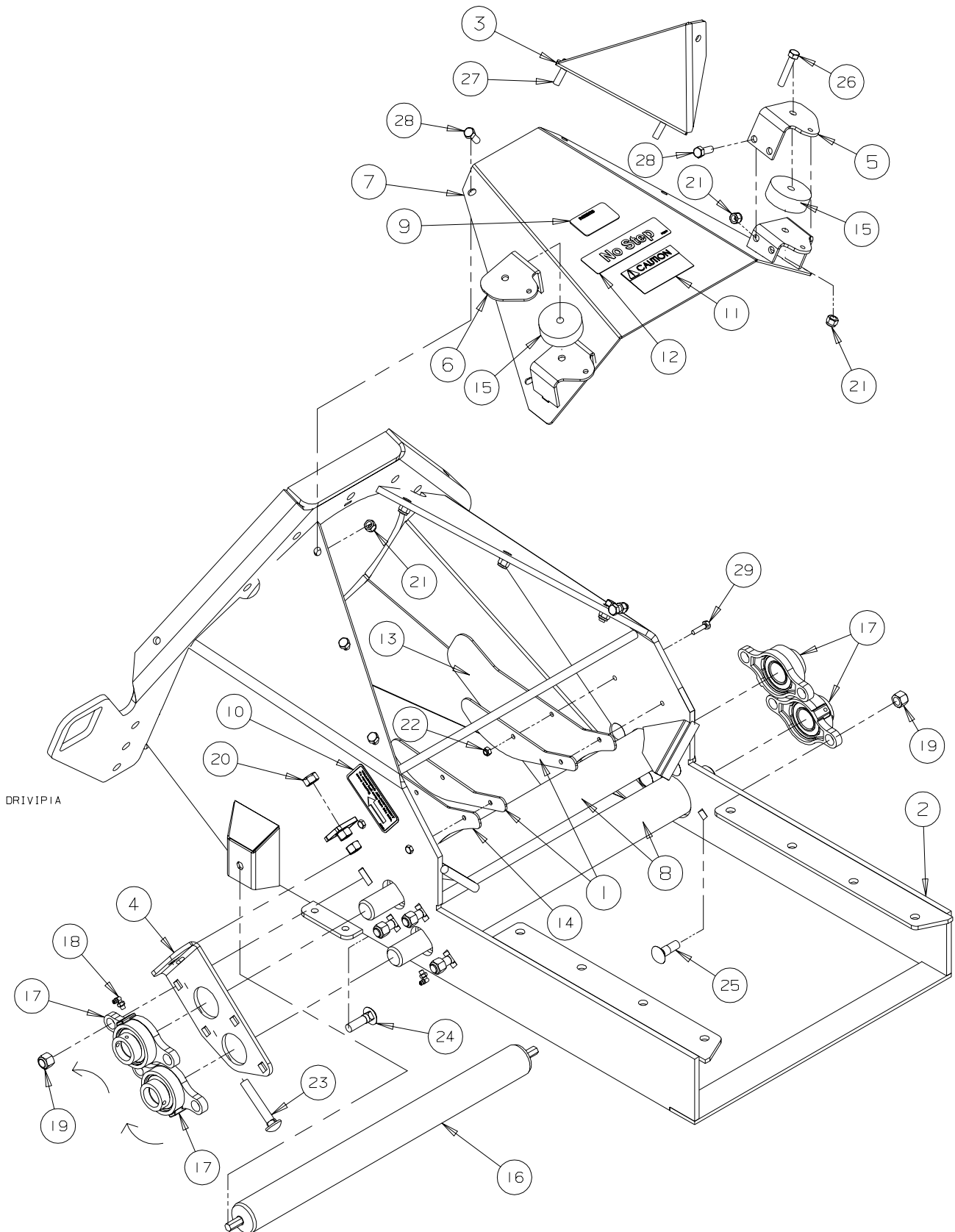
Serial Nos. 134000 - Present

DISCHARGE ASSEMBLY - GRAIN BELT DRIVE OVER CONVEYOR



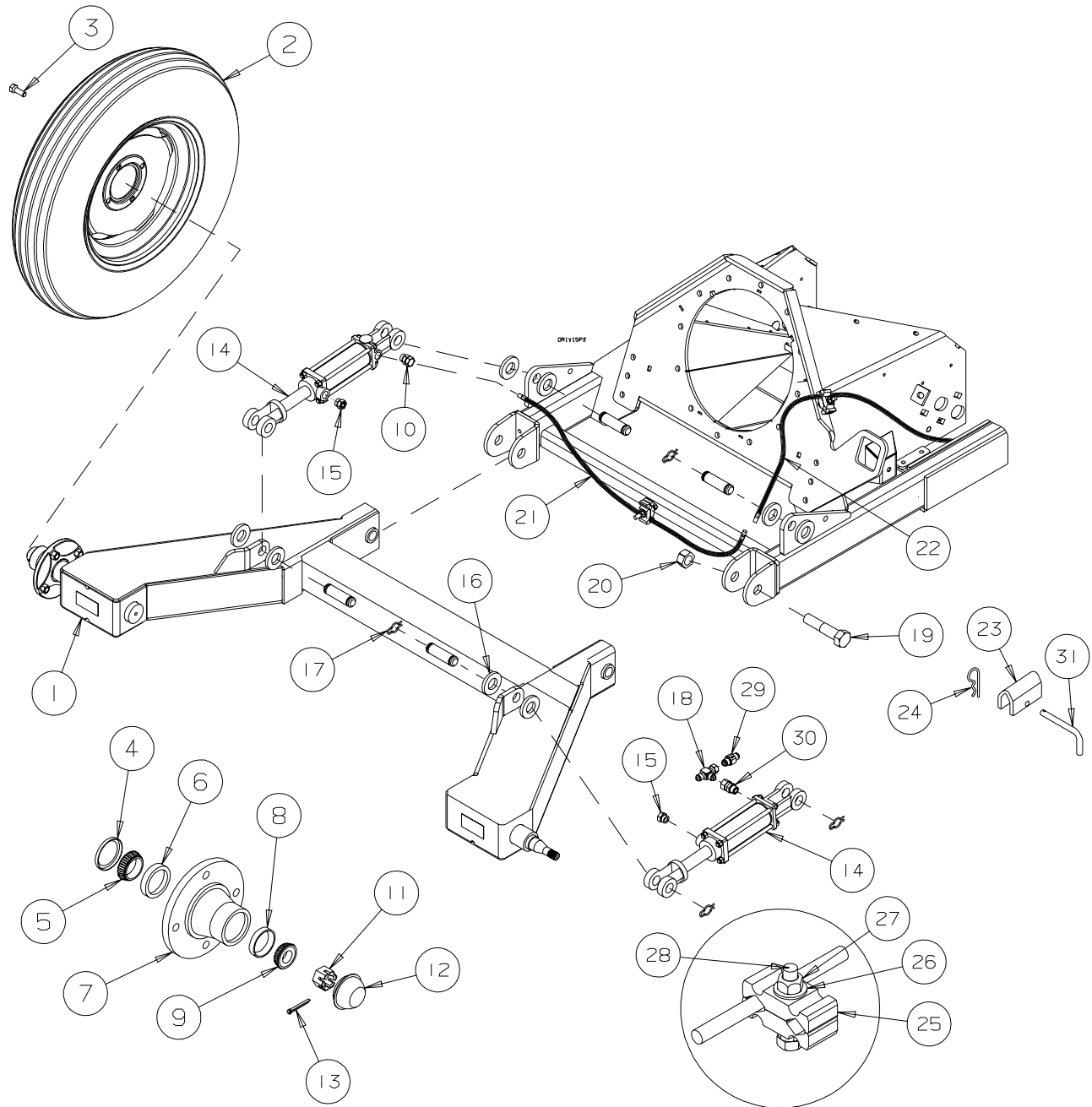
REF #	PART NO.	DESCRIPTION	QTY
1	C200760	Discharge Weldment	1
2	B0172235	1 1/2" dia. Bearing - 2 bolt	2
3	C200611	1 1/2" Bearing Plate	1
4	C202362	Discharge Bottom Guard	1
5	C200867	5" Roller - Keyed - Lagged	1
6	C200840	Discharge Cap	1
7	B021253	Roller - 1.9" dia. x 23" long	1
8	B001091	1/2" x 3" Carriage Bolt - Full Thread	1
9	B001135	1/2" Hex Nut	3
10	B001088	1/2" x 1 1/2" Carriage Bolt	2
11	B001134	1/2" Stover Lock Nut	4
12	B001024	3/8" x 1" Bolt	16
13	B0011325	3/8" Stover Lock Nut	16
14	B001090	1/2" x 2" Carriage Bolt	2
15	B001149	3/8" Flatwasher	2
16	B027605	Plastic Discharge Spout	1
17	B0275355	1 1/2" Plastic Cap	1
18	B0294501	Left Tracking Decal	1
19	B029967	Downspout Warning Decal	2
20	B029966	Conveyor Discharge Decal	2
21	B0275102	Round Manual Holder	1
22	C314500	Manual Holder Bracket	2
23	B001002	1/4" x 3/4" Bolt	3
24	B0011246	1/4" Locking Flange Nut	3
25	B0020356	1/4" x 3/4" TEK Screw	4

TRANSITION ASSEMBLY - GRAIN BELT DRIVE OVER CONVEYOR



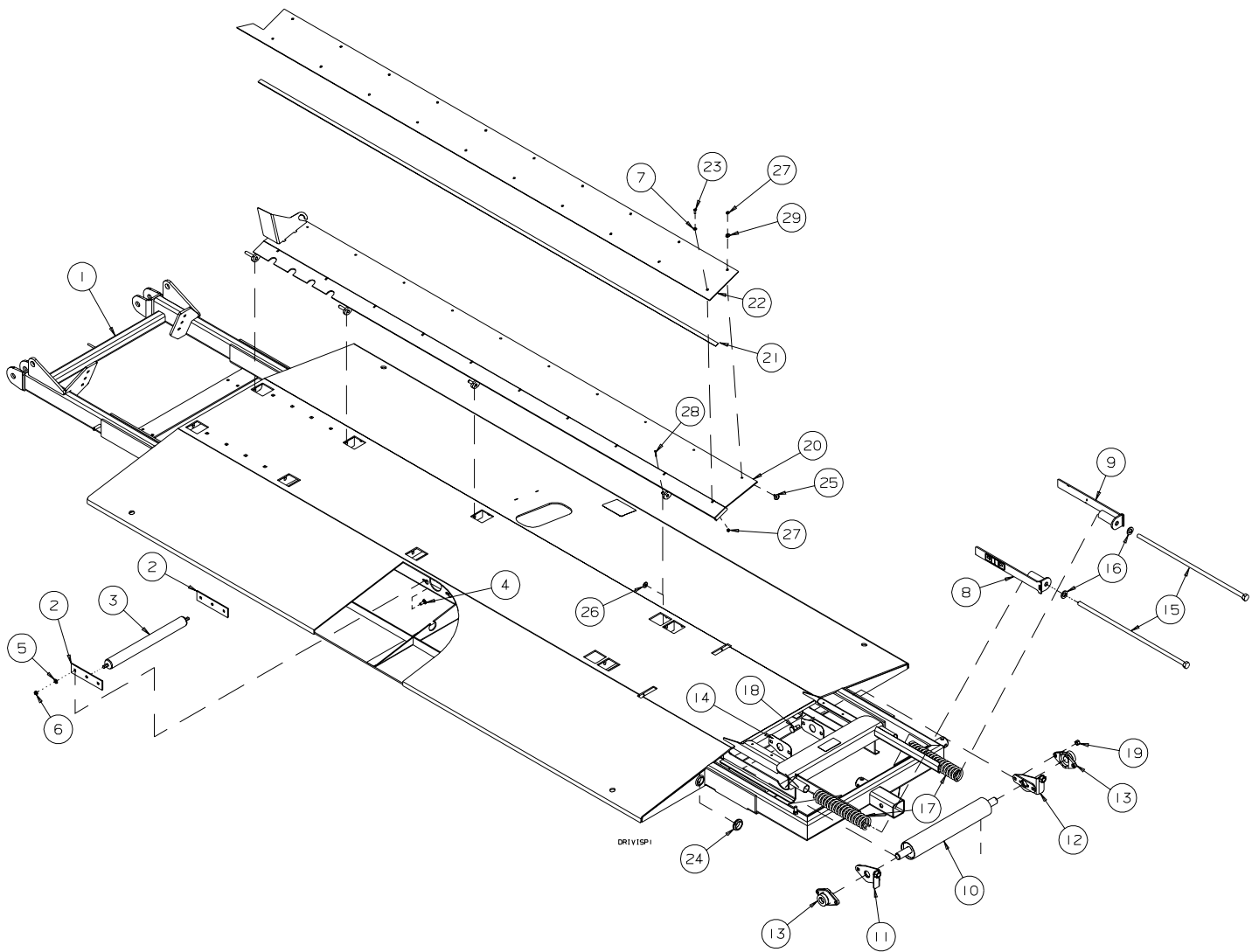
REF #	PART NO.	DESCRIPTION	QTY
1	C2060023	Transition Flashing Plate	2
2	C205876	Transition Weldment	1
3	C203115	Spring Mount	1
4	C200877	S Adjustment Plate	1
5	C200827R	Cable Sheave Top - Right	1
6	C200827L	Cable Sheave Top - Left	1
7	C200822	Transition Cap	1
8	C200754	Roller - 2 1/2" dia. x 20" long	2
9	B029453	Decal - Conveyor Patent	1
10	B0294501	Decal - Tracking - Left	1
11	B029360	Decal - Flap Hazard	1
12	B029255	Decal - No Step	1
13	B027553R	Transition Flashing - Right	1
14	B027553L	Transition Flashing - Left	1
15	B027430	Plastic Cable Sheave - 1/4" Cable	2
16	B021253	Roller - 1.9" dia. x 23" long	1
17	B017202	1 1/4" Bearing - 2 Bolt	4
18	B002082	Grease Zerk - 1/4"-28- 90°	2
19	B001136	1/2" Lock Nut	8
20	B001135	1/2" Hex Nut	3
21	B001132	3/8" Lock Nut	14
22	B001124	1/4" Lock Nut	4
23	B001091	1/2" x 3" Carriage Bolt - Full Thread	1
24	B001089	1/2" x 1 3/4" Carriage Bolt	4
25	B001088	1/2" x 1 1/2" Carriage Bolt	4
26	B001038	3/8" x 2" Bolt	2
27	B001025	3/8" x 1 1/4" Bolt	2
28	B001024	3/8" x 1" Bolt	10
29	B001003	1/4" x 1" Bolt	4

AXLE ASSEMBLY - GRAIN BELT DRIVE OVER CONVEYOR



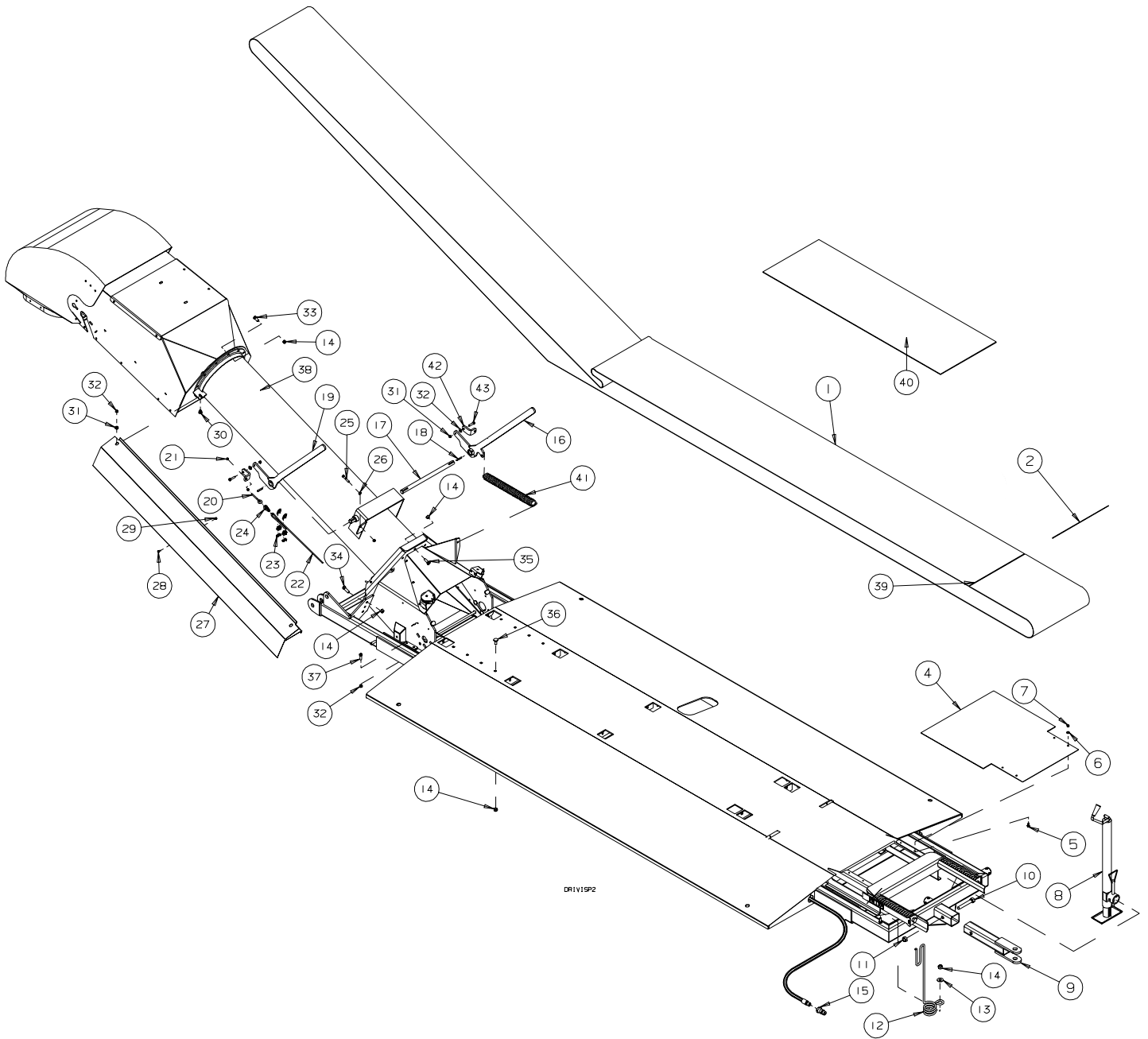
REF #	PART NO.	DESCRIPTION	QTY
1	C200761	Axle Weldment less Hubs	1
2	B011205	15" Tire and Rim - Mounted	2
3	B011504	Wheel Bolt - 411 Hub	4/hub
4	B011604	Grease Seal - 411 Hub	1/hub
5	B011603	Inner Cone - LM67048	1/hub
6	B011602	Inner Cup - LM67010	1/hub
7	B011605	411 Hub c/w Cups	1/hub
8	B011600	Outer Cup - LM11910	1/hub
9	B011601	Outer Cone - LM11949	1/hub
10	B0194242	#8 MORB x #6 FJIC - 45° Elbow	1
11	B011677	3/4"- 16 UNF Castle Nut	1/hub
12	B011500	Dust Cap - 411 Hub	1/hub
13	B002047	3/16" x 1 1/4" Cotter Pin	1/hub
14	B0191531	2"x 4" Hydraulic Cylinder - #8 FORB	2
15	B0193052	#8 MORB Breather	2
16	8023265	1.75"OD x 1" ID x 1/4" thick Spacer Washer	8
17	B019177	Cylinder Pin Clips	8
18	B019463	#6 FJIC x #6 MJIC x #6 MJIC Hydraulic Tee	1
19	B0011157	1"x 5" Bolt	2
20	B001075	1" Lock Nut	2
21	B019910	3/8" Hydra. Hose x 48" - #6 FJIC both ends	1
22	B019143	3/8" Hydra. Hose x 27' - #6 FJIC x 1/2" MPT	1
23	2064062	Transport Lock	2
24	8023253	.080" x 1 3/16" Hair Pin Clip	2
25	B021605	Plastic Hose Holder	4
26	B001149	3/8" Flatwasher	2
27	B001132	3/8" Lock Nut	2
28	B001032	3/8" x 2 1/2" Bolt	1
29	B019365	#6 MJIC One Way Restrictor .031"	1
30	B0194601	#8 MORB x #6 FJIC Adapter	2
31	8023233	3/8" x 2 1/2" L-Pin	2

TABLE ASSEMBLY - GRAIN BELT DRIVE OVER CONVEYOR



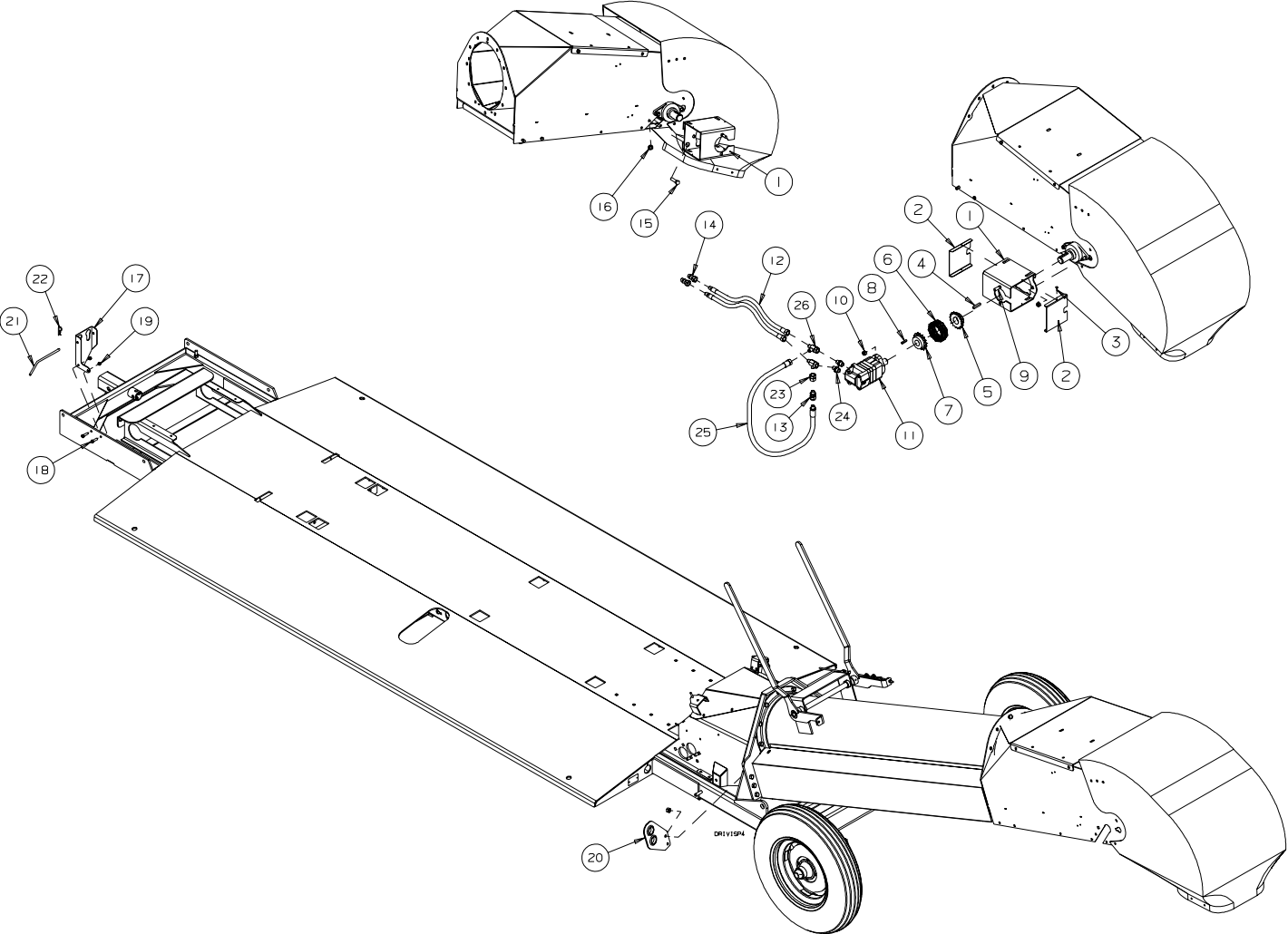
REF #	PART NO.	DESCRIPTION	QTY
1	C200753	Table Weldment	1
2	C200837	Hex Hole Plate	2
3	B021252	Roller - 1.9" OD x 20"	1
4	B001082	3/8" x 1" Carriage Bolt	4
5	B001149	3/8" Flatwasher	4
6	B001132	3/8" Lock Nut	4
7	B001147	1/4" Flatwasher	20
8	C205371LA	Left Tension Indicator	1
9	C205371	Tension Guide	1
10	C200757	Take Up Roller - 3 1/2" dia.	1
11	C200758L	Adjustment Plate - Left	1
12	C200758R	Adjustment Plate - Right	1
13	B0172015	1 1/4" Bearing - 2 Bolt	2
14	C205635	Backing Plate	2
15	B0026025	3/4" x 27 5/8" Bolt - Full Thread	2
16	B001157	3/4" SAE Flatwasher	2
17	B0210731	Compression Spring - 2 1/2" OD x 16" long x .343" wire	2
18	B001089	1/2" x 1 3/4" Bolt	4
19	B001136	1/2" Lock Nut	4
20	C205763R	Hopper Flap - Right	1
NS	C205763L	Hopper Flap - Left	1
21	B027538	Flap Flashing Guard	2
22	B027537R	Pit Side Flashing - Right	1
NS	B027537L	Pit Side Flashing - Left	1
23	B0021095	1/4" x 3/4" Truss Machine Screw	20
24	B021130	Rubber Grommet - 2 1/8" OD x 1 1/2" ID x 5/8"	11
25	B002227	1/4" x 3/4" Elevator Bolt	20
26	B001152	1/2" SAE Flatwasher	8
27	B001124	1/4" Lock Nut	40
28	B002092	.094" x 2 1/4" Hair Pin Clip	4
29	B001147	1/4" Flatwasher	20

TABLE ASSEMBLY - GRAIN BELT DRIVE OVER CONVEYOR



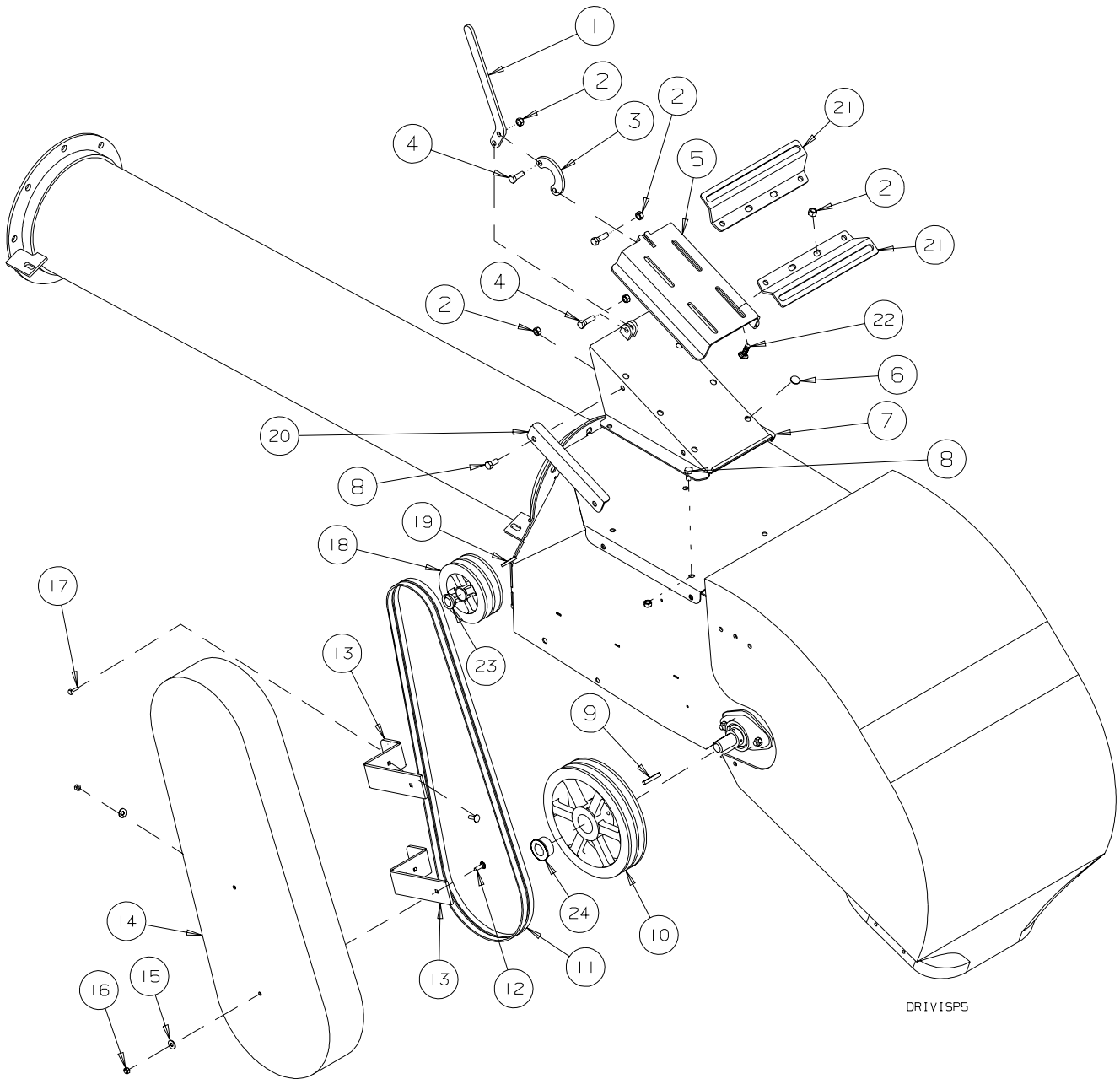
REF #	PART NO.	DESCRIPTION	QTY
1	B018630	Rubber Belt - 20" Wide x 49'-6" Long - Laced	1
2	C2070019	19" Lacing Pin	1
4	B027514	Drive Over End Flashing	1
5	B001080	1/4" x 1" Carriage Bolt	4
6	B001147	1/4" Flatwasher	4
7	B001124	1/4" Lock Nut	4
8	B0305291	Implement Jack - 3000 lbs. - Top Wind	1
9	C200762	Drive Over Hitch	1
10	B001105	3/4" x 4" Bolt	1
11	B001154	3/4" Stover Lock Nut	1
12	B021091	Hydraulic Hose Holder - Top Mount	1
13	B001151	1/2" Flatwasher	1
14	B001134	1/2" Stover Lock Nut	39
15	B019200	Pioneer Hydraulic Tip - 1/2" FPT	1
16	C205823R	Flap Handle - Right	1
17	C200824	Handle Pin	1
18	B496740	1/4" Key x 1 1/2"	2
19	C205823L	Flap Handle - Left	1
20	B002024	3/8" x 4" Eye Bolt	2
21	B001131	3/8" Hex Nut	4
22	B008395	1/4" Cable x 52" Long- Looped on One End	2
23	B008070	1/4" Cable Clamp	4
24	B008071	1/4" Cable Thimble	2
25	B001028	3/8"x 2" Bolt	1
26	B001131	3/8" Hex Nut	2
27	C200875	Wind Guard - 71 1/4" Long	2
28	B001001	1/4" x 1/2" Bolt	6
29	B001124	1/4" Lock Nut	6
30	B001082	3/8" x 1" Carriage Bolt	4
31	B001149	3/8" Flatwasher	6
32	B0011325	3/8" Stover Lock Nut	10
33	B001039	1/2" x 1" Bolt	12
34	B001041	1/2" x 1 1/2" Bolt	6
35	B001040	1/2" x 1 1/4" Bolt	12
36	B0010875	1/2" x 1 1/4" Carriage Bolt	8
37	B001024	3/8" x 1" Bolt	4
38	C200759A	Drive Over Tube Assembly	1
39	B021324	Alligator Lacing - 19" c/w Pin	1
40	B0186302	Rubber Belt - 20" Wide x 5' long - 19 Clip Lace	1
41	B021098	Extension Spring - 1 3/8" OD x 15.8" lg x .188" wire	2
42	C205062	Handle Pivot	2
43	B001031	3/8" x 1 1/2" Bolt	2

HYDRAULIC DRIVE ASSEMBLY - GRAIN BELT DRIVE OVER CONVEYOR



REF #	PART NO.	DESCRIPTION	QTY
1	C200838	Hydraulic Motor Mount	1
2	C200819	Hydraulic Motor Guard	2
3	B002036	#10 x 5/8" TEK Screw	4
4	C200649	3/8" Key x 2" Long	1
5	B0094095	50 x 17 Sprocket - 1 1/2" Bore	1
6	B009601	R50-2 Roller Chain	1
7	B009409	50 x 17 Sprocket - 1 1/4" Bore	1
8	C200952	Offset Key 1/4" x 5/16" x 1 1/4" Long	1
9	B001043	1/2"x 1 3/4" Bolt	2
10	B001134	1/2" Stover Lock Nut	2
11	B019046	Hydraulic Motor - 6.2 cu.in./rev	1
12	B019147	3/4" Hydra. Hose x 25' Long	2
13	B019537	1/2" MPT x 1/2" FPT Check Valve	1
14	B019200	1/2" FPT Pioneer Male Tips	2
15	B001024	3/8"x 1" Bolt	1
16	B001405	3/8" Serrated Flange Nut	1
17	C212894	Hydraulic Tip Holder	1
18	B001024	3/8" x 1" Bolt	2
19	B0011325	3/8" Stover Lock Nut	2
20	C200895A	Hose Guide	1
21	B496655	Keeper Pin	1
22	B002092	.094" x 2 1/4" Hair Pin Clip	1
23	B0194638	1/2" FPT x #8 FJIC Adapter	1
24	B019434	#10 MORB x #8 MJIC Adapter	2
25	B0192605	3/8" Hydra. Hose x 20"	1
26	B019407	#8 FJIC x 2@ #8 MJIC Tee	2

MOTOR DRIVE ASSEMBLY - GRAIN BELT DRIVE OVER CONVEYOR



REF #	PART NO.	DESCRIPTION	QTY
1	C200659	Tension Handle	1
2	B0011325	3/8" Stover Lock Nut	15
3	C200657	Motor Link	1
4	B001025	3/8"x 1 1/4" Bolt	3
5	C200656	Motor Mount	1
6	B027500	Plastic Wear Bushing	6
7	C200658	Motor Base	1
8	B001023	3/8"x 3/4" Bolt	4
9	C200649	3/8" Key x 2" Long	1
10	B0180309	2BK120H Pulley - 11.75" OD	1
11	B018069	B-75 Belt (10 HP Motors)	2
11	B0180695	B-77 Belt (15 - 20 HP Motors)	2
12	B001080	1/4"x 1" Carriage Bolt	4
13	C200885	Drive Over Guard Mount	2
14	C200896	Drive Over Belt Shield - Plastic	1
15	B001147	1/4" Flatwasher	2
16	B001124	1/4" Lock Nut	4
17	B0020356	1/4"x 3/4" TEK Screw	4
18	B0180308	2B34 SH Pulley - 3.75" OD	1
19	B496680	3/8" Key x 1 1/2" Long	1
20	C200655	Motor Rail	2
21	C2006675	Motor Mount Bracket	2
22	B001082	3/8"x 1" Carriage Bolt	4
23	B0180252	1 3/8" SH series Tapered Hub (10 HP motor)	1
23	B0180254	1 5/8" SH series Tapered Hub (15 -20 HP motor)	1
24	B0180286	1 1/2" H series Tapered Hub	1