

CHAPTER 8 **Parts List**

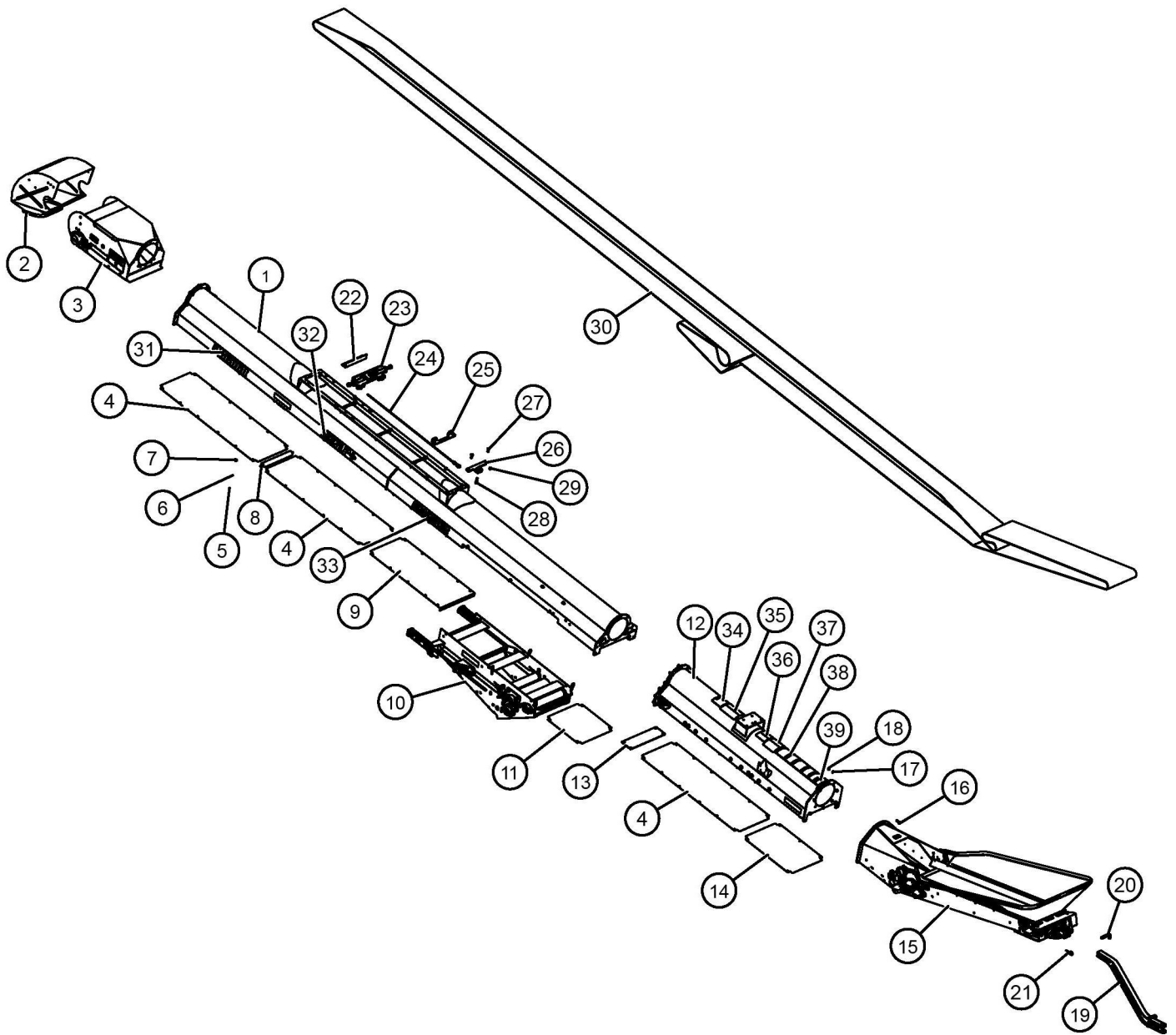
Serial No. 139000 - Present & 3850 - Present

Drawing List

1. 1537LP+ General Tube Assembly on page 62
2. 1547LP+ General Tube Assembly on page 64
3. 1552LP+ General Tube Assembly on page 66
4. Common Parts on page 68
5. Low Profile Intake Assembly - Standard Conveyor on page 70
6. Low Profile Intake Assembly - Oil Seed Conveyor on page 72
7. Discharge Assembly on page 74
8. S-Drive Assembly - Standard Conveyor on page 76
9. S-Drive Assembly - Oil Seed Conveyor on page 78
10. Undercarriage Assembly on page 80
11. Optional Manual Winch on page 82

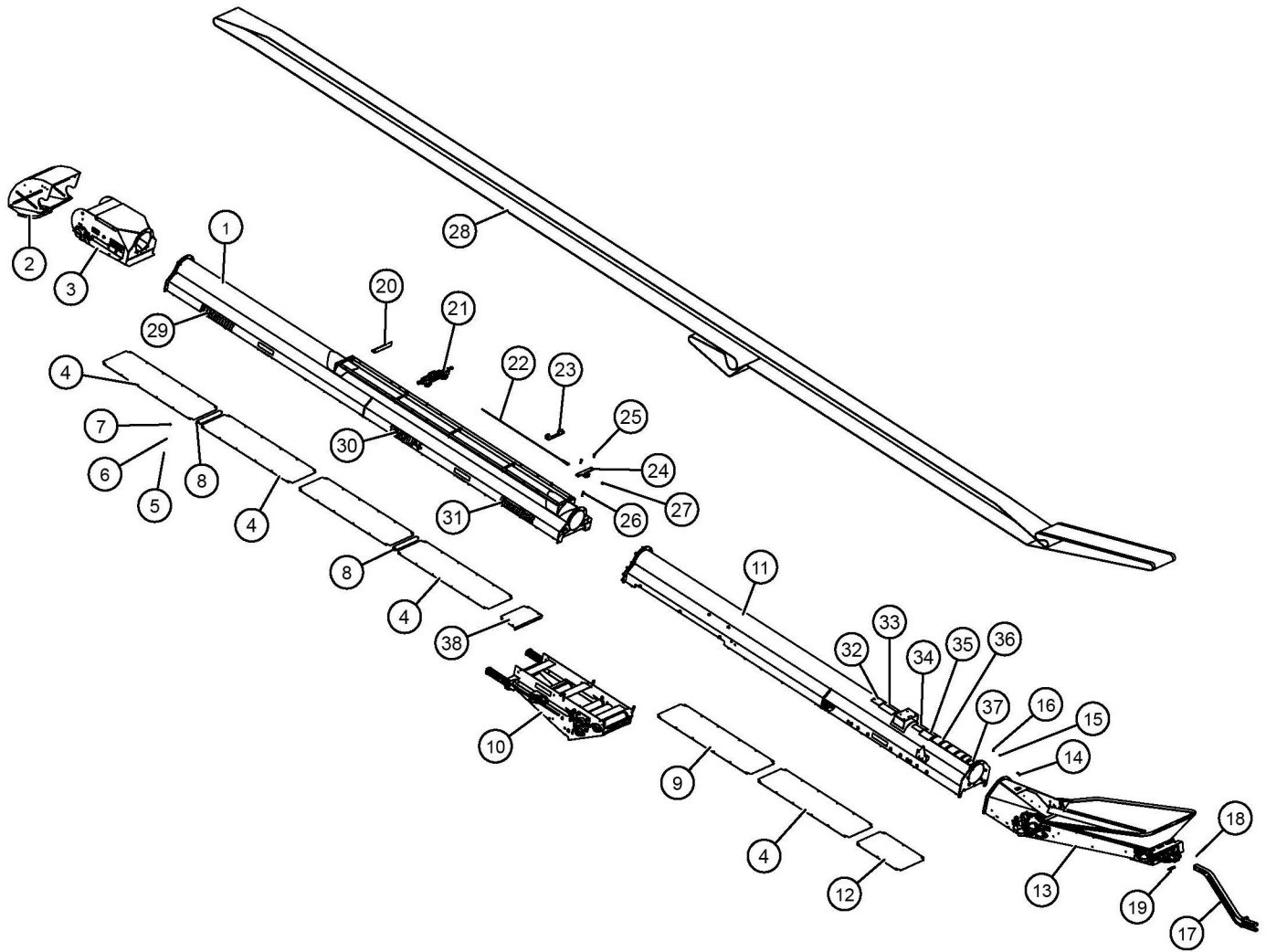
^{NS} Items not shown in drawing.

1537LP+ General Assembly



REF #	PART NO.	DESCRIPTION	QTY
1	2072551	1537LP+ UPPER TUBE C/W DECALS	1
2	B027600	15 SERIES DISCHARGE SPOUT	1
3	C215642	15+ DISCHARGE ASSEMBLY	1
4	2066040	WIND GUARD - COMMON	3
5	B001024	3/8" x 1" BOLT	56
6	B001165	3/8" LOCK WASHER	56
7	B0011499	3/8" FLATWASHER - 3/8"ID x 1 1/4" OD	56
8	B021257	RETURN ROLLER	1
9	2075496	WIND GUARD	1
10	C215315	S-DRIVE ASSEMBLY	1
11	2075492	WIND GUARD	1
12	2072548	1537LP+ LOWER TUBE C/W DECALS	1
13	2066053	GAP PLATE	1
14	2075441	WIND GUARD	1
15	2064293	INTAKE ASSEMBLY	1
16	B001041	1/2" x 1 1/2" BOLT - GR.5	34
17	B001167	1/2" LOCK WASHER	34
18	B001135	1/2" HEX NUT	34
19	2076392	TRANSPORT HITCH	1
20	B0020315	3/4" x 4 1/8" L-PIN	1
21	B002091	.177" x 3 .3/4" HAIR PIN CLIP	1
22	C2149040	TRANSPORT STOP	1
23	C214856A	TRACK SLIDE ASSEMBLY	1
24	B008398	1/4" CABLE x 36'	1
25	2077162	MAXIMUM HEIGHT STOP	1
26	C2144964	CABLE ANCHOR	1
27	B001040	1/2" x 1 1/4" BOLT - GR.5	6
28	B001044	1/2" x 2" BOLT - GR.5	1
29	B0011365	1/2" LOCKING FLANGE NUT	7
30	B018651	RUBBER BELT - 1537LP+	1
31	B0291503	"BRANDT" DECAL	2
32	B029832	"1537LP+" DECAL	2
33	B0298005	"GRAIN BELT" DECAL	2
34	B029006	OILSEED DECAL	1
35	B029027	OPERATION DECAL	1
36	B029827	TRACKING WARNING DECAL	1
37	B029015	BELT SPEED DECAL	1
38	B0290108	COMBINATION DECAL	1
39	B029971	SAFE TRANSPORT DECAL	1
NS	C204176	15" BELT LACING KIT	AR
NS	C204584	15" LACING PIN KIT	AR
NS	B018612	RUBBER BELT - 15" WIDE x 10' LONG	AR
NS	B018614	RUBBER BELT - 15" WIDE x 20' LONG	AR

1547LP+ General Assembly



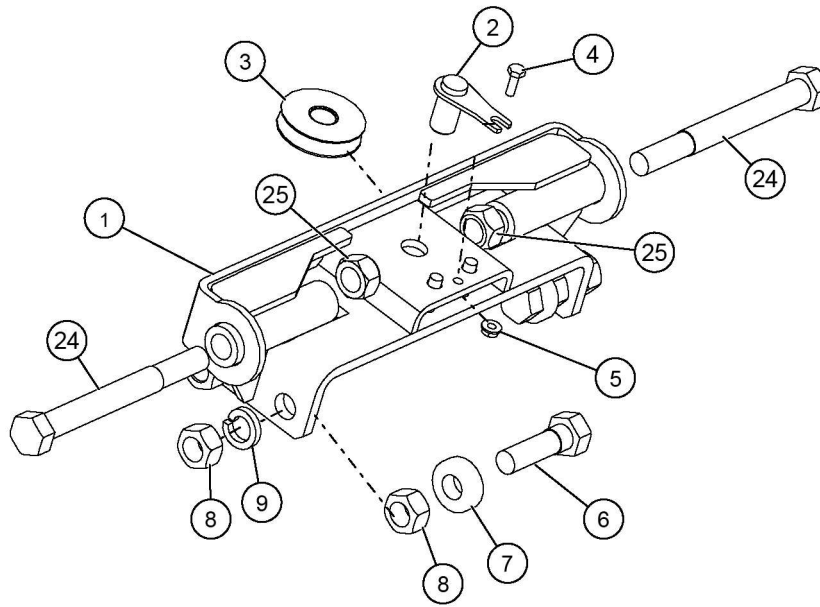
15 Series LP+ Belt Conveyors

REF #	PART NO.	DESCRIPTION	QTY
1	2072565	1547LP+ UPPER TUBE C/W DECALS	1
2	B027600	15 SERIES DISCHARGE SPOUT	1
3	C215642	15+ DISCHARGE ASSEMBLY	1
4	2066040	WIND GUARD - COMMON	4
5	B001024	3/8" x 1" BOLT	78
6	B001165	3/8" LOCK WASHER	78
7	B0011499	3/8" FLATWASHER - 3/8"ID x 1 1/4" OD	78
8	B021257	RETURN ROLLER	2
9	2075446	WIND GUARD	1
10	C215315	S-DRIVE ASSEMBLY	1
10	2061767	S-DRIVE ASSEMBLY - OIL SEED CONVEYOR	1
11	2072554	1547LP+ LOWER TUBE C/W DECALS	1
12	2075441	WIND GUARD	1
13	2064293	INTAKE ASSEMBLY	1
13	2075064	INTAKE ASSEMBLY - OIL SEED CONVEYOR	1
14	B001041	1/2" x 1 1/2" BOLT - GR.5	34
15	B001167	1/2" LOCK WASHER	34
16	B001135	1/2" HEX NUT	34
17	2076392	TRANSPORT HITCH	1
18	B0020315	3/4" x 4 1/8" L-PIN	1
19	B002091	.177" x 3 .3/4" HAIR PIN CLIP	1
20	C2149040	TRANSPORT STOP	1
21	C214856A	TRACK SLIDE ASSEMBLY	1
22	B008398	1/4" CABLE x 36'	1
23	2077162	MAXIMUM HEIGHT STOP	1
24	C2144964	CABLE ANCHOR	1
25	B001040	1/2" x 1 1/4" BOLT - GR.5	6
26	B001044	1/2" x 2" BOLT - GR.5	1
27	B0011365	1/2" LOCKING FLANGE NUT	7
28	B018652	RUBBER BELT - 1547LP+	1
28	2063525	RUBBER BELT - 1547LP+ - OIL SEED CONVEYOR	1
29	B0291503	"BRANDT" DECAL	2
30	B029831	"1547LP+" DECAL	2
31	B0298005	."GRAIN BELT" DECAL	2
32	B029006	OILSEED DECAL	1
33	B029027	OPERATION DECAL	1
34	B029827	TRACKING WARNING DECAL	1
35	B029015	BELT SPEED DECAL	1
36	B0290108	COMBINATION DECAL	1
37	B029971	SAFE TRANSPORT DECAL	1
38	2075449	WIND GUARD	1
NS	C204176	15" BELT LACING KIT	AR
NS	C204584	15" LACING PIN KIT	AR
NS	B018612	RUBBER BELT - 15" WIDE x 10' LONG	AR
NS	B018614	RUBBER BELT - 15" WIDE x 20' LONG	AR
NS	2079933	RUBBER BELT - 15" WIDE x 5' LONG - OIL SEED CONVEYOR	AR
NS	2079934	RUBBER BELT - 15" WIDE x 10' LONG - OIL SEED CONVEYOR	AR
NS	2079935	RUBBER BELT - 15" WIDE x 20' LONG - OIL SEED CONVEYOR	AR
NS	2072388	OILSEED CERTIFIED DECAL	2
NS	2072389	BLACK STRIPE DECAL	2

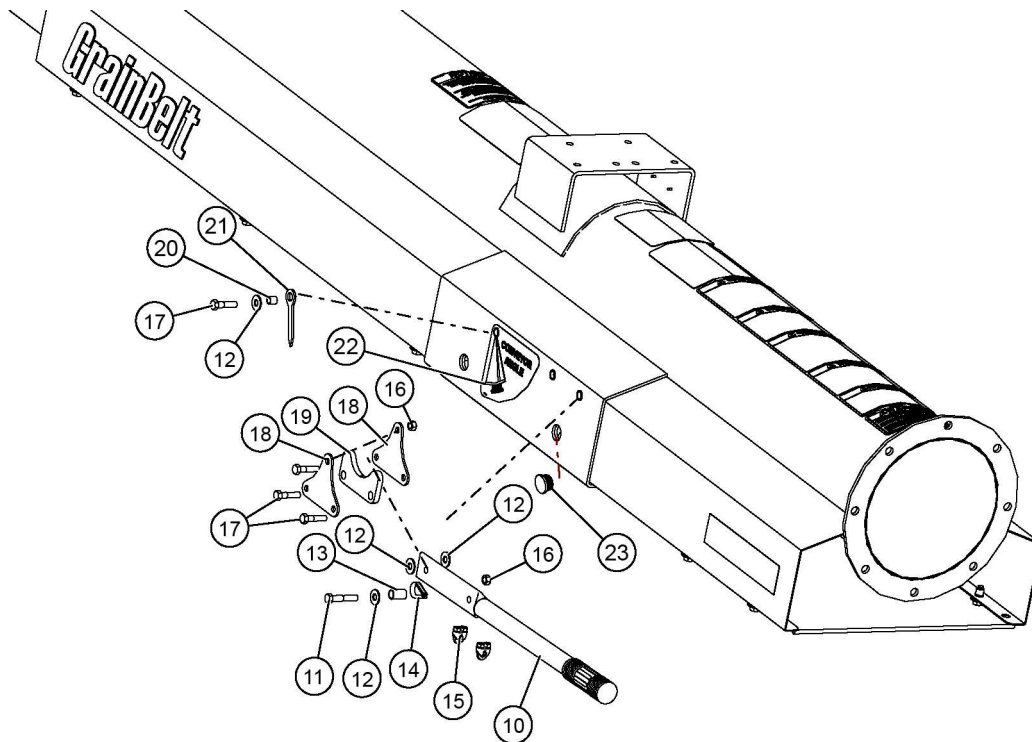
15 Series LP+ Belt Conveyors

REF #	PART NO.	DESCRIPTION	QTY
1	2072565	1552LP+ UPPER TUBE C/W DECALS	1
2	B027600	15 SERIES DISCHARGE SPOUT	1
3	C215642	15+ DISCHARGE ASSEMBLY	1
4	2066040	WIND GUARD - COMMON	4
5	B001024	3/8" x 1" BOLT	90
6	B001165	3/8" LOCK WASHER	90
7	B0011499	3/8" FLATWASHER - 3/8"ID x 1 1/4" OD	90
8	B021257	RETURN ROLLER	2
9	2075446	WIND GUARD	1
10	C215315	S-DRIVE ASSEMBLY	1
10	2061767	S-DRIVE ASSEMBLY - OIL SEED CONVEYOR	1
11	2072554	1547LP+ LOWER TUBE C/W DECALS	1
12	2075441	WIND GUARD	1
13	2064293	INTAKE ASSEMBLY	1
13	2075064	INTAKE ASSEMBLY - OIL SEED CONVEYOR	1
14	B001041	1/2" x 1 1/2" BOLT - GR.5	50
15	B001167	1/2" LOCK WASHER	50
16	B001135	1/2" HEX NUT	50
17	2076392	TRANSPORT HITCH	1
18	B0020315	3/4" x 4 1/8" L-PIN	1
19	B002091	.177" x 3 .3/4" HAIR PIN CLIP	1
20	C2149040	TRANSPORT STOP	1
21	C214856A	TRACK SLIDE ASSEMBLY	1
22	B008398	1/4" CABLE x 36'	1
23	2077162	MAXIMUM HEIGHT STOP	1
24	C2144964	CABLE ANCHOR	1
25	B001040	1/2" x 1 1/4" BOLT - GR.5	6
26	B001044	1/2" x 2" BOLT - GR.5	1
27	B0011365	1/2" LOCKING FLANGE NUT	7
28	2052728	RUBBER BELT - 1552LP+	1
28	2066948	RUBBER BELT - 1552LP+ - OIL SEED CONVEYOR	1
29	B0291503	"BRANDT" DECAL	2
30	2052749	"1552LP+" DECAL	2
31	B0298005	"GRAIN BELT" DECAL	2
32	B029006	OILSEED DECAL	1
33	B029027	OPERATION DECAL	1
34	B029827	TRACKING WARNING DECAL	1
35	B029015	BELT SPEED DECAL	1
36	B0290108	COMBINATION DECAL	1
37	B029971	SAFE TRANSPORT DECAL	1
38	2075449	WIND GUARD	1
39	2072559	5' UPPER TUBE C/W DECALS	1
NS	C204176	15" BELT LACING KIT	AR
NS	C204584	15" LACING PIN KIT	AR
NS	B018612	RUBBER BELT - 15" WIDE x 10' LONG	AR
NS	B018614	RUBBER BELT - 15" WIDE x 20' LONG	AR
NS	2079933	RUBBER BELT - 15" WIDE x 5' LONG - OIL SEED CONVEYOR	AR
NS	2079934	RUBBER BELT - 15" WIDE x 10' LONG - OIL SEED CONVEYOR	AR
NS	2079935	RUBBER BELT - 15" WIDE x 20' LONG - OIL SEED CONVEYOR	AR

Common Parts



Slide Assembly

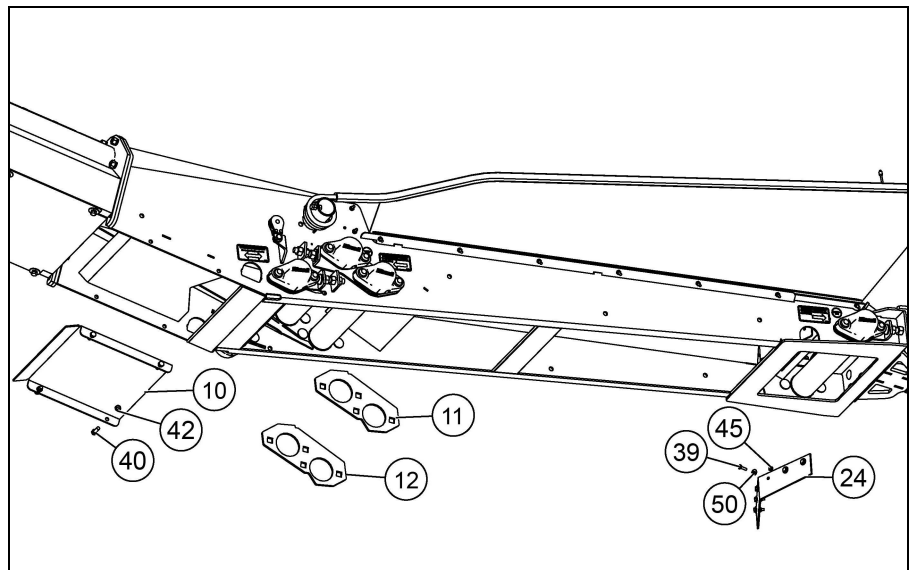
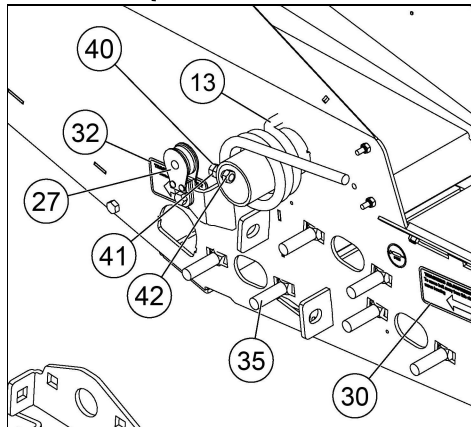
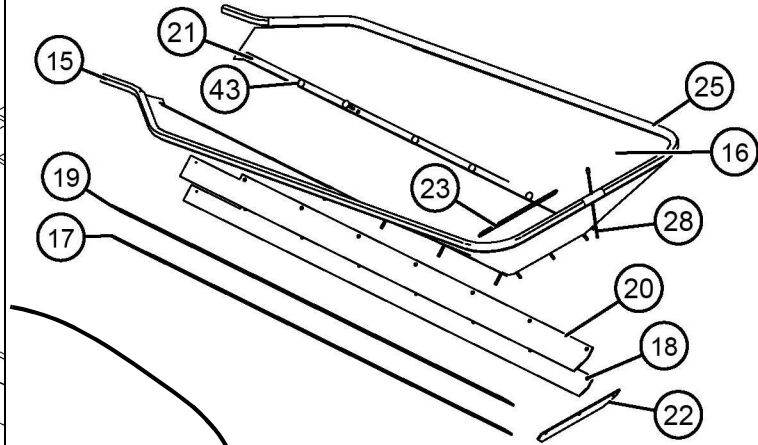
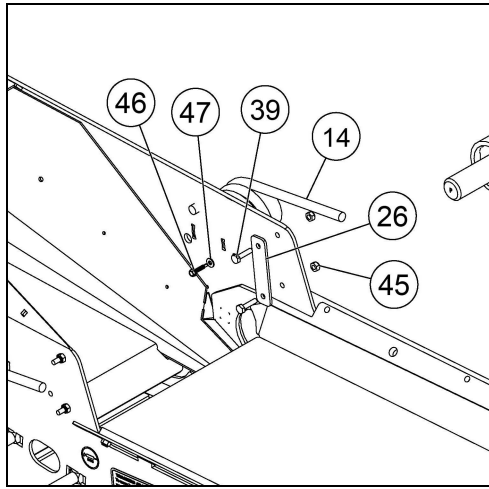


Hopper Handle & Angle Indicator Assembly

15 Series LP+ Belt Conveyors

REF #	PART NO.	DESCRIPTION	QTY
1	C214856	TRACK SLIDE WELDMENT	1
2	C2140158	TRACK SLIDE PIN	1
3	C314453	2 1/2" OD CABLE SHEAVE	1
4	B001002	1/4" x 3/4" BOLT	1
5	B0011246	1/4" FLANGE LOCK NUT	1
6	B001101	3/4" x 2 1/2" BOLT	4
7	B017255	3/4" ID BEARING - 6230-3/4-2RS	4
8	B001142	3/4" HEX NUT	8
9	B001172	3/4" LOCK WASHER	4
10	C2149041	HOPPER HANDLE ASSEMBLY	1
11	B001028	3/8" x 2" BOLT	1
12	8001100	3/8" FLATWASHER	4
13	B002310	SPACER - 5/8" OD x .512" ID x 1" LONG	1
14	B008061	3/16" CABLE THIMBLE	1
15	B008060	3/16" CABLE CLAMP	2
16	B0011325	3/8" STOVER LOCK NUT	2
17	B001031	3/8" x 1 1/2" BOLT	3
18	C2158068	HOPPER HANDLE MOUNT	2
19	C2158136	HOPPER HANDLE SPACER	1
20	B002319	SPACER - 1/2" OD x 3/8" ID x 1/2" LONG	1
21	C2148005	ANGLE INDICATOR	1
22	B029701	ANGLE INDICATOR DECAL	1
23	B0281876	1 1/4" ROUND PLUG	18
24	B001113	3/4" x 8" BOLT - GR.5	2
25	B001154	3/4" LOCK NUT	2

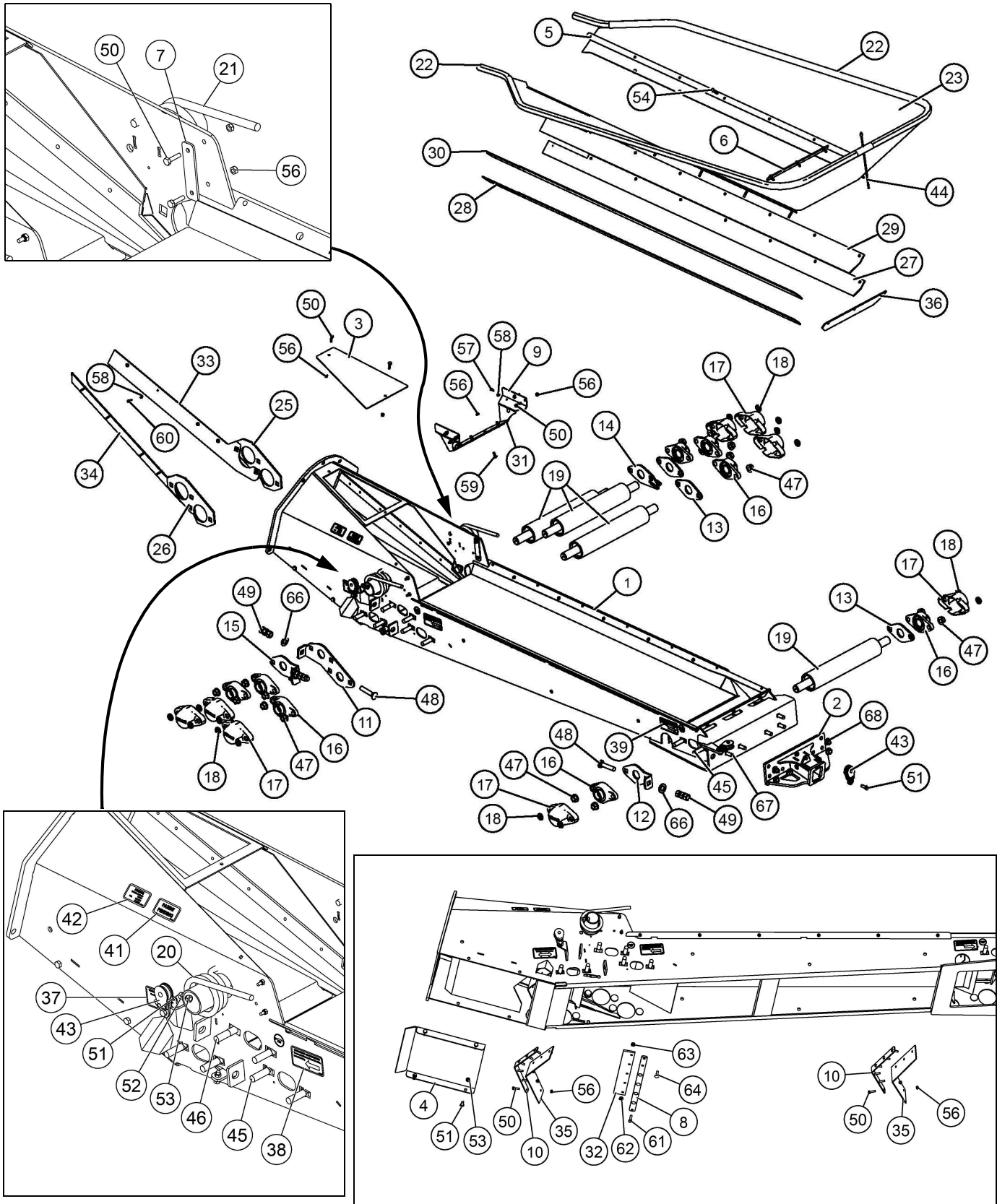
Low Profile Intake Parts - Standard Conveyor



15 Series LP+ Belt Conveyors

REF	PART No.	DESCRIPTION	QTY	REF	PART No.	DESCRIPTION	QTY
1	2075063	15+ LP INTAKE	1	31	B029950	GREASE DECAL	4
2	C215030	3" INTAKE ROLLER	4	32	8022197	TRACKING DECAL, LEFT, RIGHT	1
3	C2137860	S ROLLER ADJUSTMENT PLATE	1	33	2071466	PATENT DECAL	1
4	C211615	SHAFT ADJUSTMENT PLATE	2	34	B001157	3/4" SAE FLAT WASHER	3
5	C2147927	BEARING SPACER	4	35	B001094	5/8" x 2 1/4" CARRIAGE BOLT	16
6	B0172015	1 1/4" BEARING - 2 BOLT	8	36	B001410	5/8" SF NUT	16
7	2067858	BEARING COVER	8	37	B0010951	5/8" x 3" CARRIAGE BOLT	3
8	2071356	BEARING COVER NUT	16	38	B001139	5/8" HEX NUT	9
9	2072364	HITCH RECEIVER	1	39	B001003	1/4" x 1" BOLT - GR.5	10
10	C2158013	LOWER EZTRAK PLATE	1	40	B001024	3/8" x 1" BOLT - GR.5	9
11	B027569L	S ROLLER FLASHING - LEFT	1	41	B001131	3/8" HEX NUT	2
12	B027569R	S ROLLER FLASHING - RIGHT	1	42	B0011325	3/8" LOCK NUT	9
13	B021740L	HOPPER SPRING - LEFT	1	43	B002224	1/4" x 1 3/4" ELEVATOR BOLT	14
14	B021740R	HOPPER SPRING - RIGHT	1	44	B002226	1/4" x 1" ELEVATOR BOLT	3
15	C2158011	HOPPER RAIL	1	45	B001124	1/4" LOCK NUT	27
16	B021415	HOPPER CANVAS	1	46	B0020367	#10 x 1" TEK SCREW	2
17	B027561L	LOWER HOPPER FLASHING - LEFT	1	47	B0011459	#10 FLAT WASHER	2
18	B027561R	LOWER HOPPER FLASHING - RIGHT	1	48	B001088	1/2" x 1 1/2" CARRIAGE BOLT	6
19	B027562L	UPPER HOPPER FLASHING - LEFT	1	49	B001409	1/2" SF NUT	6
20	B027562R	UPPER HOPPER FLASHING - RIGHT	1	50	B001147	1/4" FLAT WASHER	6
21	C2137862	FABRIC STRAP	2				
22	B027563	HOPPER END FLASHING	1				
23	C2158012	HOPPER END STRAP	1				
24	B027564	DOZER FLASHING	1				
25	B024085	HOPPER RAIL COVER	1				
26	C211796	SHORT FABRIC CLAMP	2				
27	B008097	PULLEY BLOCK	3				
28	B008388	3/16" CABLE x 16' 7"	1				
29	B029450	TRACKING DECAL - RIGHT	1				
30	B0294501	TRACKING DECAL - LEFT	1				

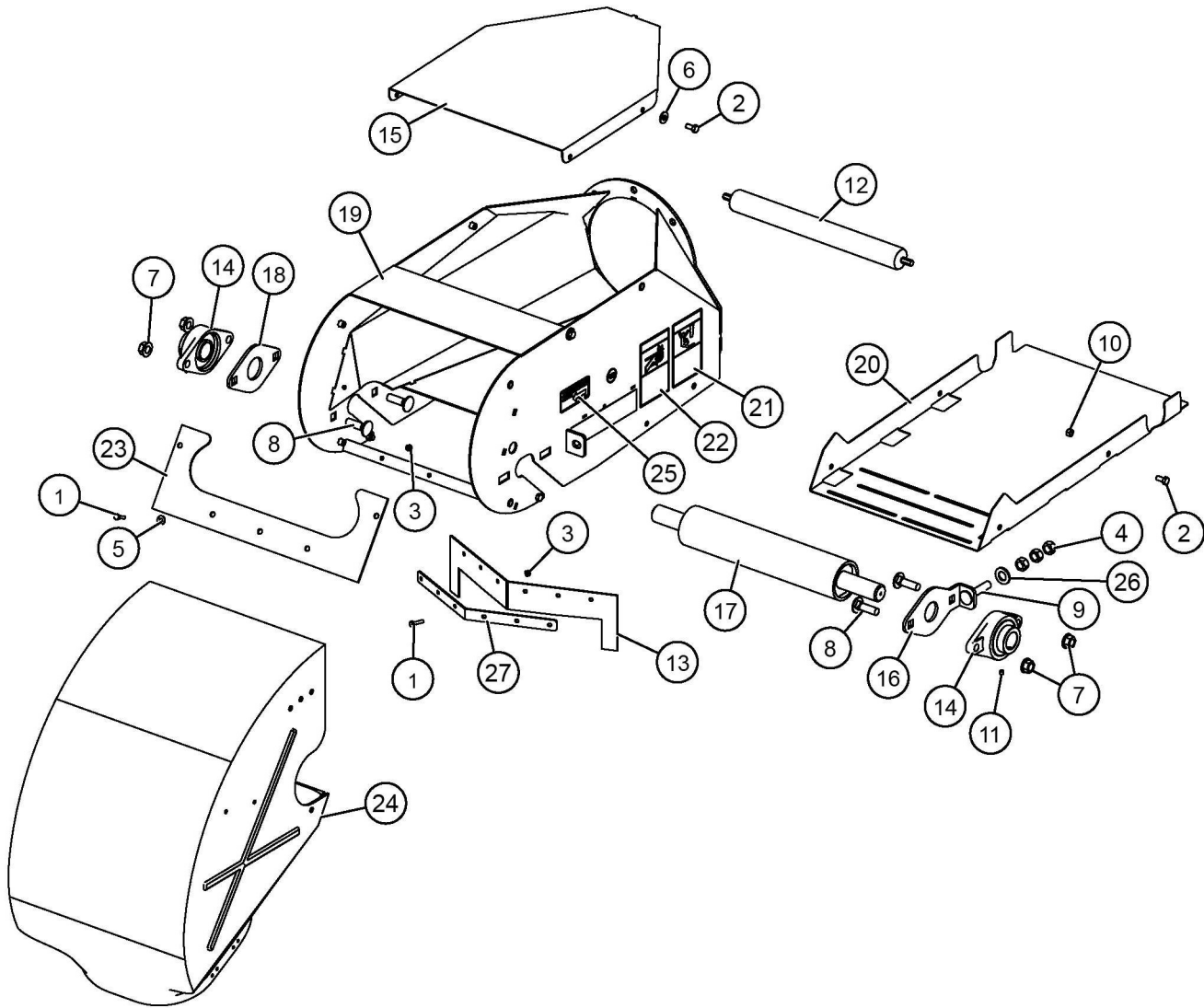
Low Profile Intake Parts - Oil Seed Conveyor



15 Series LP+ Belt Conveyors

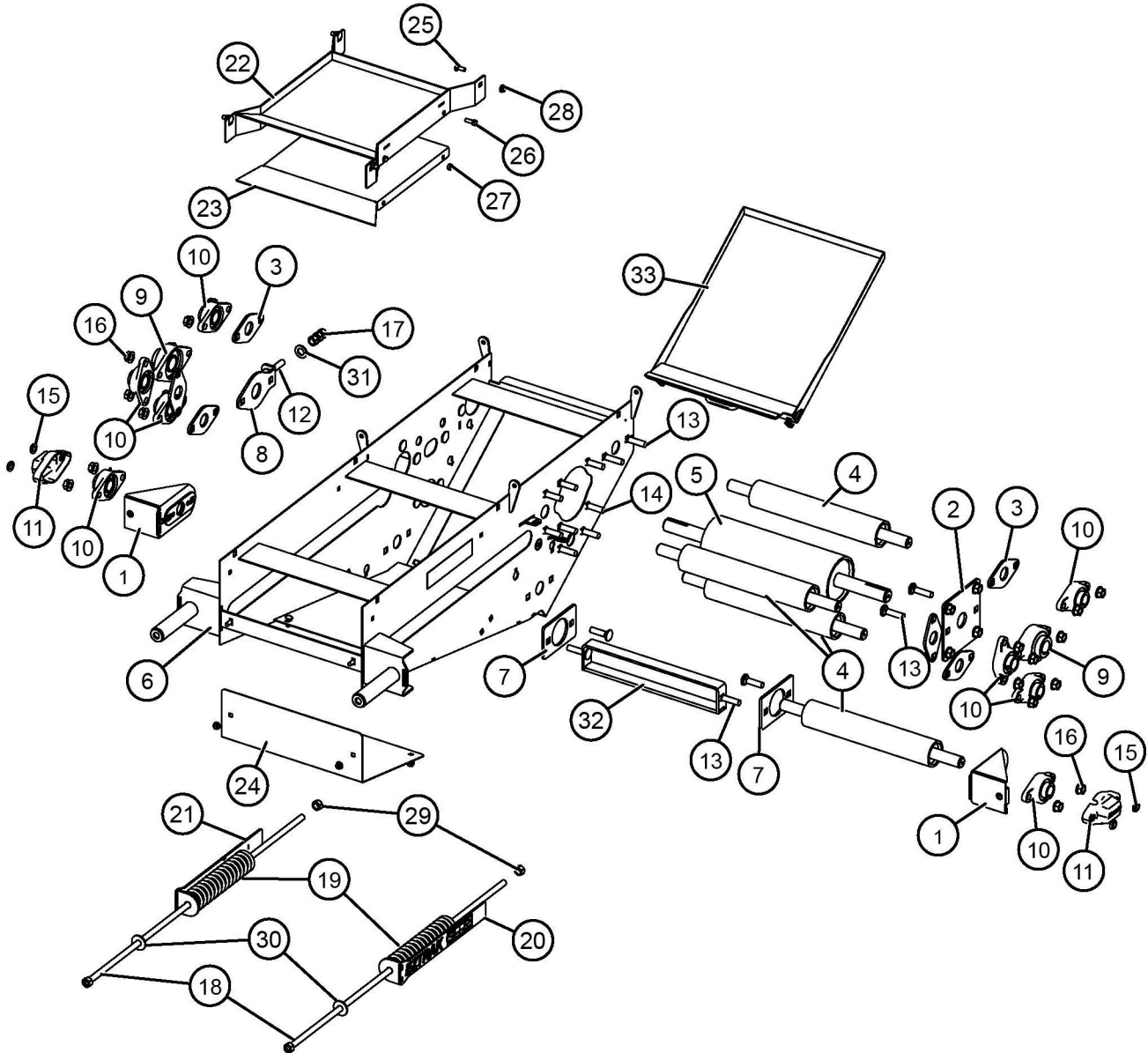
REF	PART NO.	DESCRIPTION	QTY	REF	PART NO.	DESCRIPTION	QTY
1	2075065	LP INTAKE - OIL SEED	1	36	B027563	HOPPER END FLASHING	1
2	2072364	HITCH RECEIVER	1	37	8022197	TRACKING DECAL, LEFT, RIGHT	1
3	2061539	INTAKE COVER	1	38	B0294501	TRACKING DECAL - LEFT	1
4	C2158013	EZ TRAK BOTTOM PLATE	1	39	B029450	TRACKING DECAL - RIGHT	1
5	C2137862	INTAKE FABRIC STRAP	2	40	B029950	GREASE DECAL	4
6	C2158012	FABRIC END STRAP	1	41	B029494	PATENT PENDING DECAL	1
7	C211796	FABRIC SHORT STRAP	2	42	2071466	PATENT DECAL	1
8	2061541	ROLLER CLEANER MOUNT	1	43	B008097	PULLEY BLOCK	3
9	2061544	INTAKE WIPER MOUNT	1	44	B008388	3/16" CABLE x 16' 7"	1
10	2066639	WIPER STRAP	2	45	B001094	5/8" x 2 1/4" CARRIAGE BOLT	14
11	C2137860	S ROLLER ADJUSTMENT PLATE	1	46	B001071	5/8" x 2 1/2" BOLT - GR.5	2
12	C211615	ROLLER ADJUSTMENT PLATE	1	47	B001410	5/8" SF NUT	16
13	C2147927	BEARING SPACER	3	48	B0010951	5/8" x 3" CARRIAGE BOLT	3
14	2061526	CLEANER SPACER	1	49	B001139	5/8" HEX NUT	9
15	2061525	CLEANER ADJUSTMENT PLATE	1	50	B001003	1/4" x 1" BOLT - GR.5	22
16	B0172015	1 1/4" BEARING - 2 BOLT	8	51	B001024	3/8" x 1" BOLT - GR.5	9
17	2067858	BEARING COVER	8	52	B001131	3/8" HEX NUT	2
18	2071356	BEARING COVER NUT	16	53	B0011325	3/8" LOCK NUT	9
19	C215030	3" INTAKE ROLLER	4	54	B0010802	1/4" x 1 1/2" CARRIAGE BOLT	14
20	B021740L	HOPPER SPRING - LEFT	1	55	B001080	1/4" x 1" CARRIAGE BOLT	3
21	B021740R	HOPPER SPRING - RIGHT	1	56	B001124	1/4" LOCK NUT	45
22	C2158011	HOPPER RAIL	1	57	B0020365	#10 x 3/4" TEK SCREW	2
23	B021415	HOPPER CANVAS	1	58	B0011459	#10 FLAT WASHER	10
24	B024085	PLASTIC RAIL COVER	1	59	B0010799	1/4" x 3/4" CARRIAGE BOLT	6
25	B027569R	S ROLLER FLASHING-RIGHT	1	60	B0020367	#10 x 1" TEK SCREW	8
26	B027569L	S ROLLER FLASHING-RIGHT	1	61	B001010	5/16" x 1" BOLT - GR.5	2
27	B027561R	LOWER HOPPER FLASHING-RIGHT	1	62	B001400	5/16" SF NUT	2
28	B027561L	LOWER HOPPER FLASHING - LEFT	1	63	B0011276	5/16" LOCKING FLANGE NUT	5
29	B027562R	UPPER HOPPER FLASHING-RIGHT	1	64	B0010811	5/16" x 1" CARRIAGE BOLT	5
30	B027562L	UPPER HOPPER FLASHING - LEFT	1	65	B001157	3/4" SAE FLAT WASHER	3
31	2061545	INTAKE TRANSITION WIPER	1	66	B0011535	5/8" SAE FLAT WASHER	2
32	2061546	INTAKE ROLLER CLEANER	1	67	B001088	1/2" x 1 1/2" CARRIAGE BOLT	6
33	2061667	INTAKE FLASHING - RIGHT	1	68	B001409	1/2" SF NUT	6
34	2061666	INTAKE FLASHING - LEFT	1				
35	2061897	INTAKE RETURN WIPER	2				

Discharge Assembly



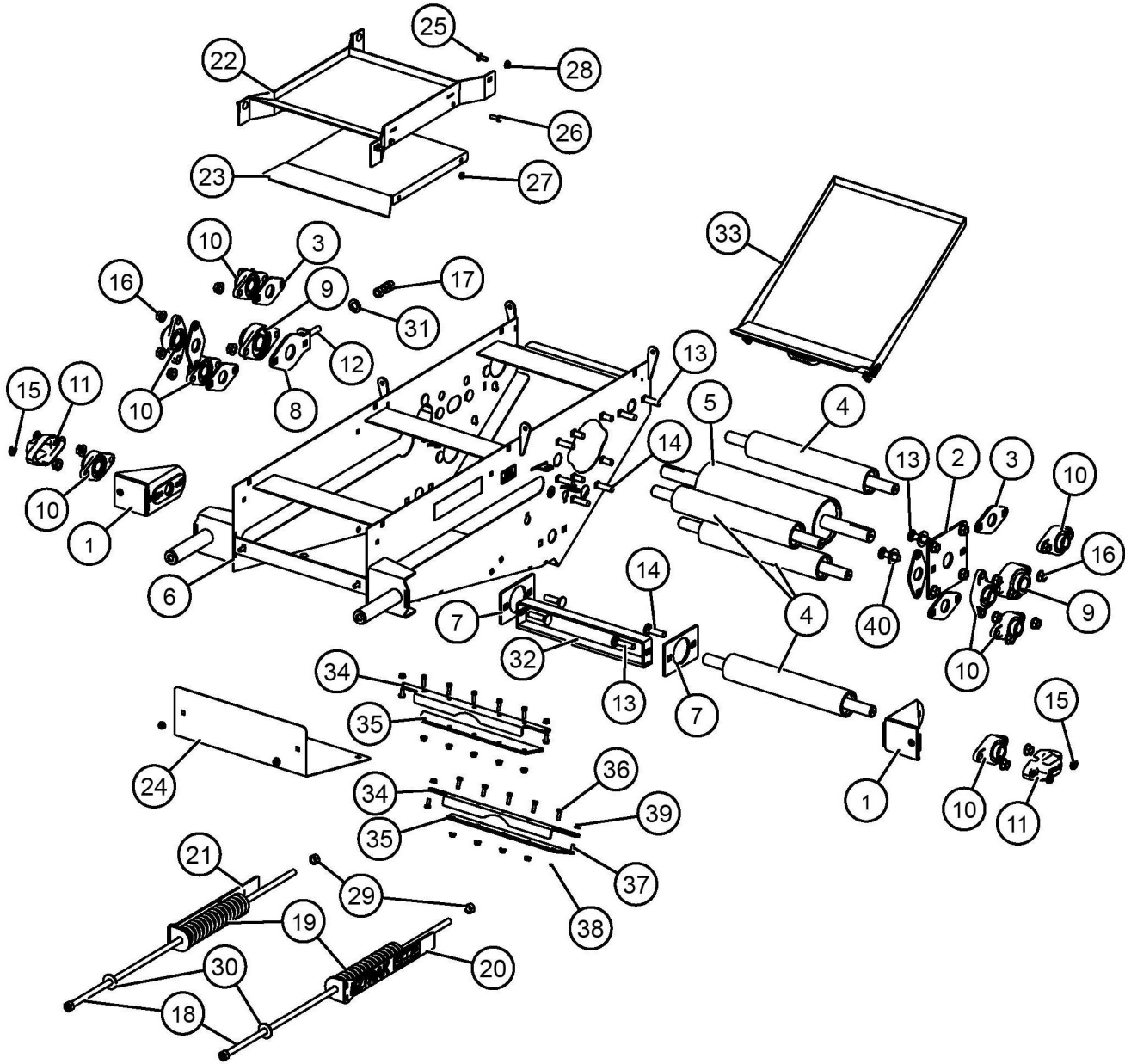
REF #	PART NO.	DESCRIPTION	QTY
1	B001003	1/4" x 1" BOLT	9
2	B001023	3/8" x 3/4" BOLT	8
3	B001124	1/4" LOCK NUT	9
4	B001139	5/8" HEX NUT	3
5	B001147	1/4" FLAT WASHER	9
6	B001149	3/8" FLAT WASHER	4
7	B001410	5/8" SERRATED FLANGE NUT	4
8	B0010939	5/8" x 2" CARRIAGE BOLT	4
9	B0010951	5/8" x 3" CARRIAGE BOLT - FULL THREAD	1
10	B0011325	3/8" STOVER LOCK NUT	4
11	B0020377	5/16" x 1/4" SET SCREW - KNUTLED CONE	2
12	B021250	ROLLER - 1.9" OD x 18"	1
13	2069522	15+ DISCHARGE DOZER WIPER	1
14	B0172235	1 1/2" DIA - 2 BOLT FLANGE BEARING	2
15	C200644	MAIN DISCHARGE CAP	1
16	C215611	1 1/2" BEARING ADJUSTMENT PLATE	1
17	C2060003	3 1/2" ROLER - 1 1/2" SHAFT	1
18	C2150032	1 1/2" BEARING SPACER PLATE	1
19	C2158057A	15+ DISCHARGE WELDMENT c/w DECALS	1
20	C2158058	15+ DISCHARGE BOTTOM PLATE	1
21	B029967	DOWNSPOUT WARNING DECAL	2
22	B029966	CONVEYOR DISCHARGE DECAL	2
23	B0275199	15+ DISCHARGE WIPER	1
24	B027600	15 SERIES DISCHARGE HOOD	1
25	B0294501	LEFT TRACKING DECAL	1
26	B001157	3/4" SAE FLAT WASHER	1
27	2066638	STRAP, CLAMP, WIPER	1

S-Drive Assembly - Standard Conveyor



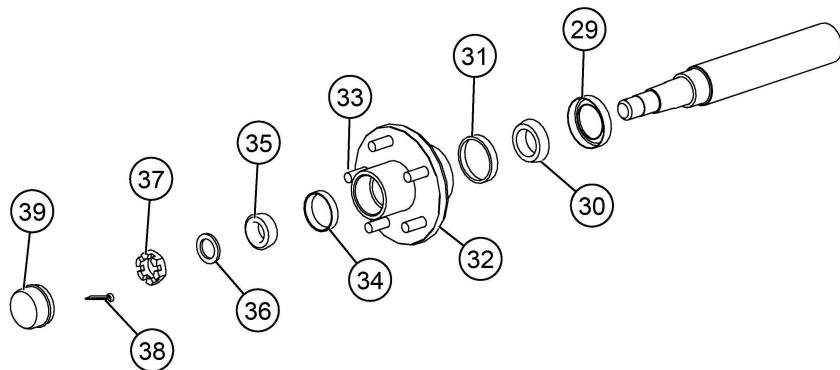
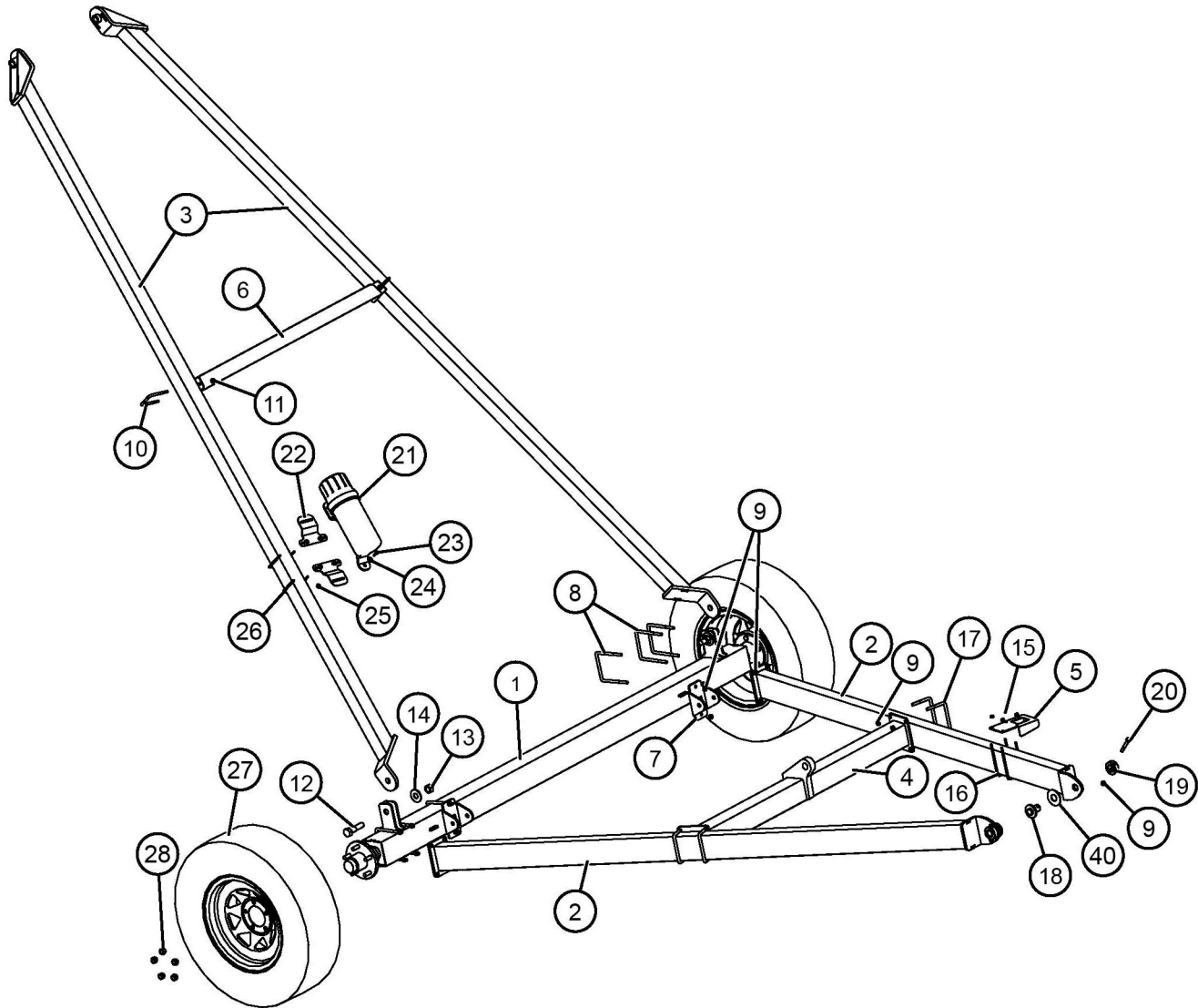
REF #	PART NO.	DESCRIPTION	QTY
1	2075098	S DRIVE TENSIONER	2
2	C2158014	DRIVE ROLLER ACCESS PANEL	1
3	C2147927	1 1/4" DIA BEARING SPACER	6
4	C215847	3" S DRIVE ROLLER	4
5	C215846	6" DRIVE ROLLER - LAGGED	1
6	2070211	S DRIVE WELDMENT c/w DECALS	1
7	C215636	S DRIVE TENSIONER BACK PLATE	2
8	C215611	1 1/2" DIA BEARING ADJUSTMENT PLATE	1
9	B0172235	1 1/2" DIA - 2 BOLT FLANGE BEARING	2
10	B0172015	1 1/4" DIA - 2 BOLT FLANGE BEARING	8
11	2074487	BEARING COVER	2
12	B0010951	5/8" x 3" CARRIAGE BOLT - FULL THREAD	1
13	B0010945	5/8" x 2 1/2" CARRIAGE BOLT	6
14	B001094	5/8" x 2 1/4" CARRIAGE BOLT	18
15	2071356	BEARING COVER NUT	4
16	B001410	5/8" SERRATED FLANGE NUT	24
17	B001139	5/8" HEX NUT	3
18	B0026014	5/8" x 45" UNC BOLT - FULL THREAD	2
19	B0210731	BELT TENSION SPRING	2
20	C2158018L	LEFT TENSION GAUGE	1
21	C2158018R	RIGHT TENSION GAUGE	1
22	C2158015	UPPER EZ TRAK WELDMENT	1
23	C2158016	LOWER EZ TRAK PLATE	1
24	C2158021	S DRIVE REAR GUARD	1
25	B001082	3/8" x 1" CARRIAGE BOLT	4
26	B001024	3/8" x 1" BOLT	4
27	B0011325	3/8" LOCK NUT	4
28	B001405	3/8" SERRATED FLANGE NUT	4
29	B001139	5/8" HEX NUT	2
30	B001153	5/8" FLAT WASHER	2
31	B001157	3/4" SAE FLAT WASHER	1
32	2052683	S- DRIVE BRACE	1
33	2061794	TRAY, ASSY, CLEANOUT, S-DRIVE, BL	1

S-Drive Assembly - Oil Seed Conveyor



REF #	PART NO.	DESCRIPTION	QTY
1	2075098	S DRIVE TENSIONER	2
2	C2158014	DRIVE ROLLER ACCESS PANEL	1
3	C2147927	1 1/4" DIA BEARING SPACER	6
4	C215847	3" S DRIVE ROLLER	4
5	C215846	6" DRIVE ROLLER - LAGGED	1
6	2070211	S DRIVE WELDMENT c/w DECALS	1
7	C215636	S DRIVE TENSIONER BACK PLATE	2
8	C215611	1 1/2" DIA BEARING ADJUSTMENT PLATE	1
9	B0172235	1 1/2" DIA - 2 BOLT FLANGE BEARING	2
10	B0172015	1 1/4" DIA - 2 BOLT FLANGE BEARING	8
11	2074487	BEARING COVER	2
12	B0010951	5/8" x 3" CARRIAGE BOLT - FULL THREAD	1
13	B0010945	5/8" x 2 1/2" CARRIAGE BOLT	6
14	B001094	5/8" x 2 1/4" CARRIAGE BOLT	18
15	2071356	BEARING COVER NUT	4
16	B001410	5/8" SERRATED FLANGE NUT	24
17	B001139	5/8" HEX NUT	3
18	B0026014	5/8" x 45" UNC BOLT - FULL THREAD	2
19	B0210731	BELT TENSION SPRING	2
20	C2158018L	LEFT TENSION GAUGE	1
21	C2158018R	RIGHT TENSION GAUGE	1
22	C2158015	UPPER EZ TRAK WELDMENT	1
23	C2158016	LOWER EZ TRAK PLATE	1
24	C2158021	S DRIVE REAR GUARD	1
25	B001082	3/8" x 1" CARRIAGE BOLT	4
26	B001024	3/8" x 1" BOLT	4
27	B0011325	3/8" LOCK NUT	4
28	B001405	3/8" SERRATED FLANGE NUT	4
29	B001139	5/8" HEX NUT	2
30	B001153	5/8" FLAT WASHER	2
31	B001157	3/4" SAE FLAT WASHER	1
32	2052683	S- DRIVE BRACE	1
33	2061794	TRAY, ASSY, CLEANOUT, S-DRIVE, BL	1
34	2061793	CLEANER MOUNT	2
35	2061775	CLEANER PLATE	2
36	B001010	5/16" x 1" BOLT	10
37	B001423	5/16" x 3/4" SF BOLT	4
38	B0011276	5/16" LOCKING FLANGE NUT	10
39	B001400	5/16" SF NUT	4
40	8003252	7/8" SAE FLAT WASHER	2

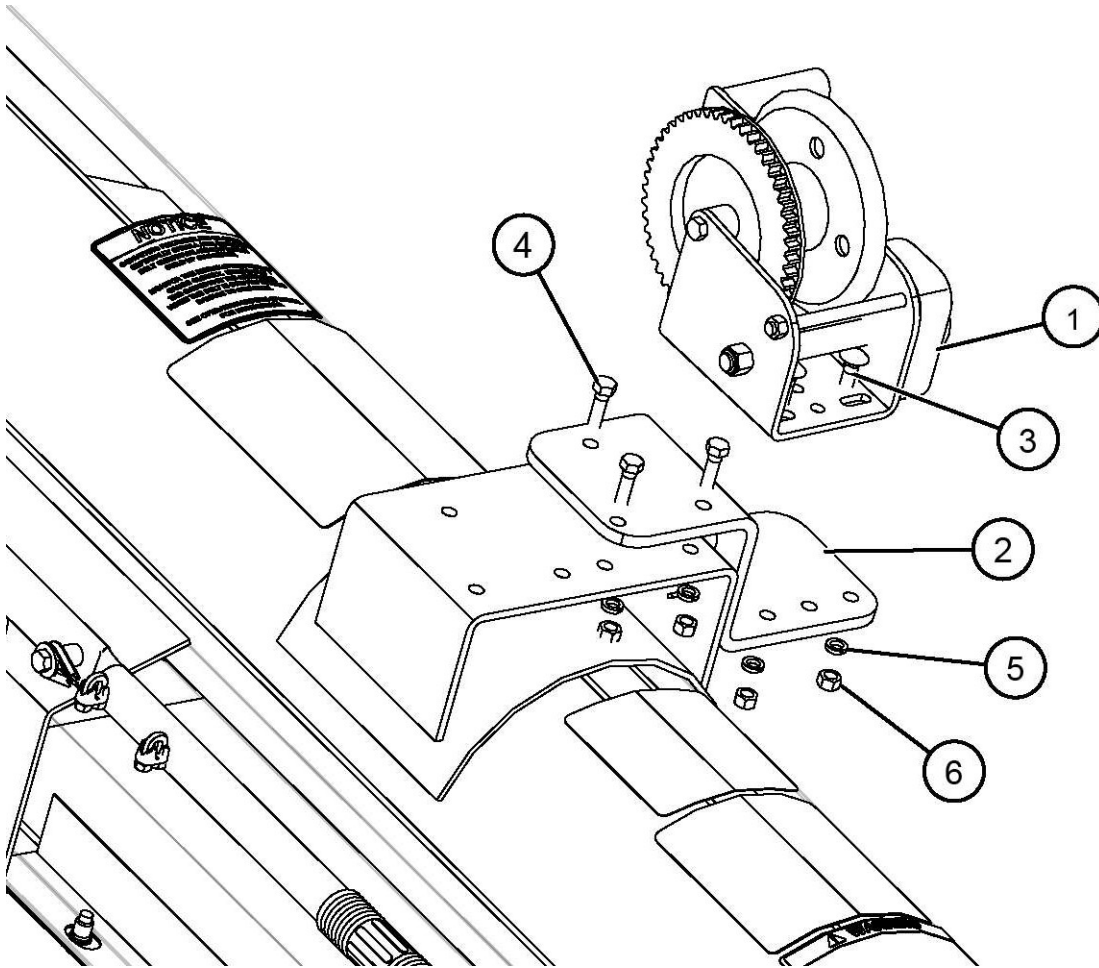
Undercarriage Parts



15 Series LP+ Belt Conveyors

REF #	PART NO.	DESCRIPTION	QTY
1	2072581	AXLE WELDMENT c/w DECALS	1
2	2077033	AXLE ARM WELDMENT - 1537LP+	2
2	2077012	AXLE ARM WELDMENT - 1547LP+	2
2	2077005	AXLE ARM WELDMENT - 1552LP+	2
3	2077033	A-FRAME ARM WELDMENT - 1537LP+	2
3	2077030	A-FRAME ARM WELDMENT - 1547LP+	2
3	2077027	A-FRAME ARM WELDMENT - 1552LP+	2
4	2076983	AXLE FRAME CROSS BRACE - 1537LP+	1
4	2076970	AXLE FRAME CROSS BRACE - 1547LP+	1
4	2076954	AXLE FRAME CROSS BRACE - 1552LP+	1
5	2072607	HITCH STORAGE PLATE	1
6	C214024	A-FRAME ARM CROSS BRACE	1
7	2076942	MOVER MOUNT BRACKET	2
8	B0020161	3/8" x 4" SQ. U-BOLT x 5" LG	6
9	B0011325	3/8" LOCK NUT	22
10	B002011	5/16" x 2 1/2" SQ. U-BOLT x 3 1/4" LG	2
11	B001400	5/16" SERRATED FLANGE NUT	4
12	B001104	3/4" x 3" BOLT - GR.5	2
13	B001154	3/4" LOCK NUT	2
14	B001155	3/4" FLAT WASHER	2
15	8023375	1/4" LOCK NUT	4
16	B0020106	1/4" x 2 1/4" SQ. U-BOLT x 5" LG	2
17	B0020162	3/8" x 4" SQ. U-BOLT x 3" LG	4
18	2077104	AXLE ARM MOUNTING PIN	2
19	C2179492	PIN COLLAR	2
20	B001032	3/8" x 2 1/2" BOLT - GR.5	2
21	B0275102	PLASTIC MANUAL HOLDER	1
22	C314500	MANUAL HOLDER MOUNT	2
23	B001002	1/4" x 3/4" BOLT - GR.5	3
24	B001147	1/4" FLAT WASHER	3
25	B0011246	1/4" LOCKING FLANGE NUT	7
26	B0020108	1/4" x 2 1/2" SQ. U-BOLT x 3 1/2" LG	2
27	B011209	TIRE & RIM	2
28	B0116408	WHEEL NUT	10
29	B0116406	GREASE SEAL - 5 BOLT HUB	1/HUB
30	B0116403	INNER BEARING CONE	1/HUB
31	B0116402	INNER BEARING CUP	1/HUB
32	B0116401	HUB ONLY - 5 BOLT HUB	1/HUB
33	B0116409	WHEEL STUD - 5 BOLT HUB	5/HUB
34	B0116404	OUTER BEARING CUP	1/HUB
35	B0116405	OUTER BEARING CONE	1/HUB
36	B002073	1 1/2" OD x 1" ID x 1/8" MACHINERY BUSHING	1/HUB
37	B001525	1"-14 SLOT NUT	1/HUB
38	B002047	3/16" x 1 1/4" COTTER PIN	1/HUB
39	B0116407	DUST CAP - 5 BOLT HUB	1/HUB
NS	B011640	5 BOLT HUB COMP c/w 28 to 39	AR
40	8023674	1" FLAT WASHER	2

Optional Manual Winch



REF #	PART No.	DESCRIPTION	QTY
1	B030250	HAND WINCH	1
2	2055100	WINCH BRACKET	1
3	B0010835	3/8" x 1 1/4" CARRIAGE BOLT	3
4	B001025	3/8" x 1 1/4" BOLT'	3
5	B001165	3/8" LOCK WASHER	6
6	B001131	3/8" HEX NUT	6