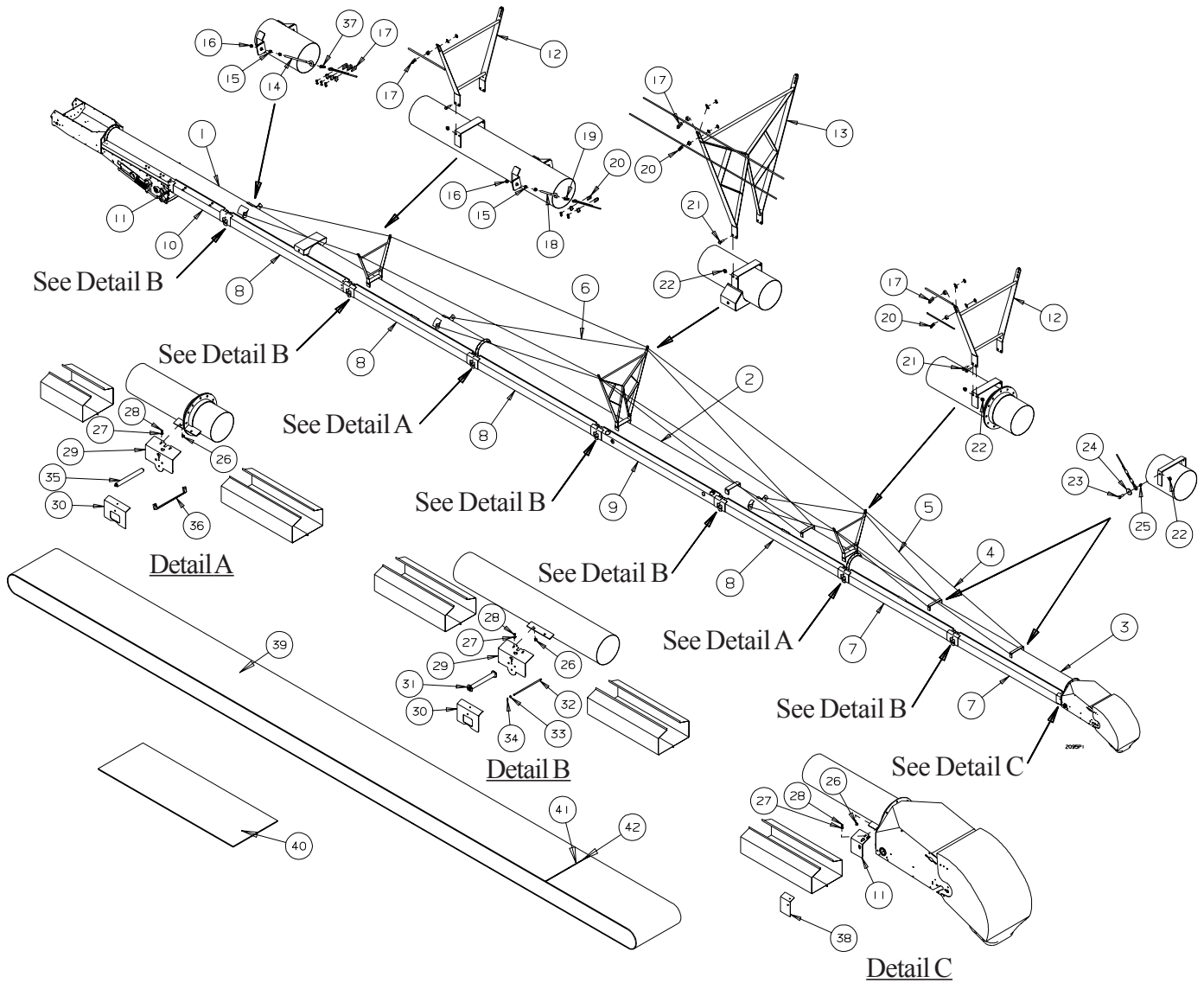


***2095 20110 GRAINBELT
CONVEYOR***

PARTS LIST

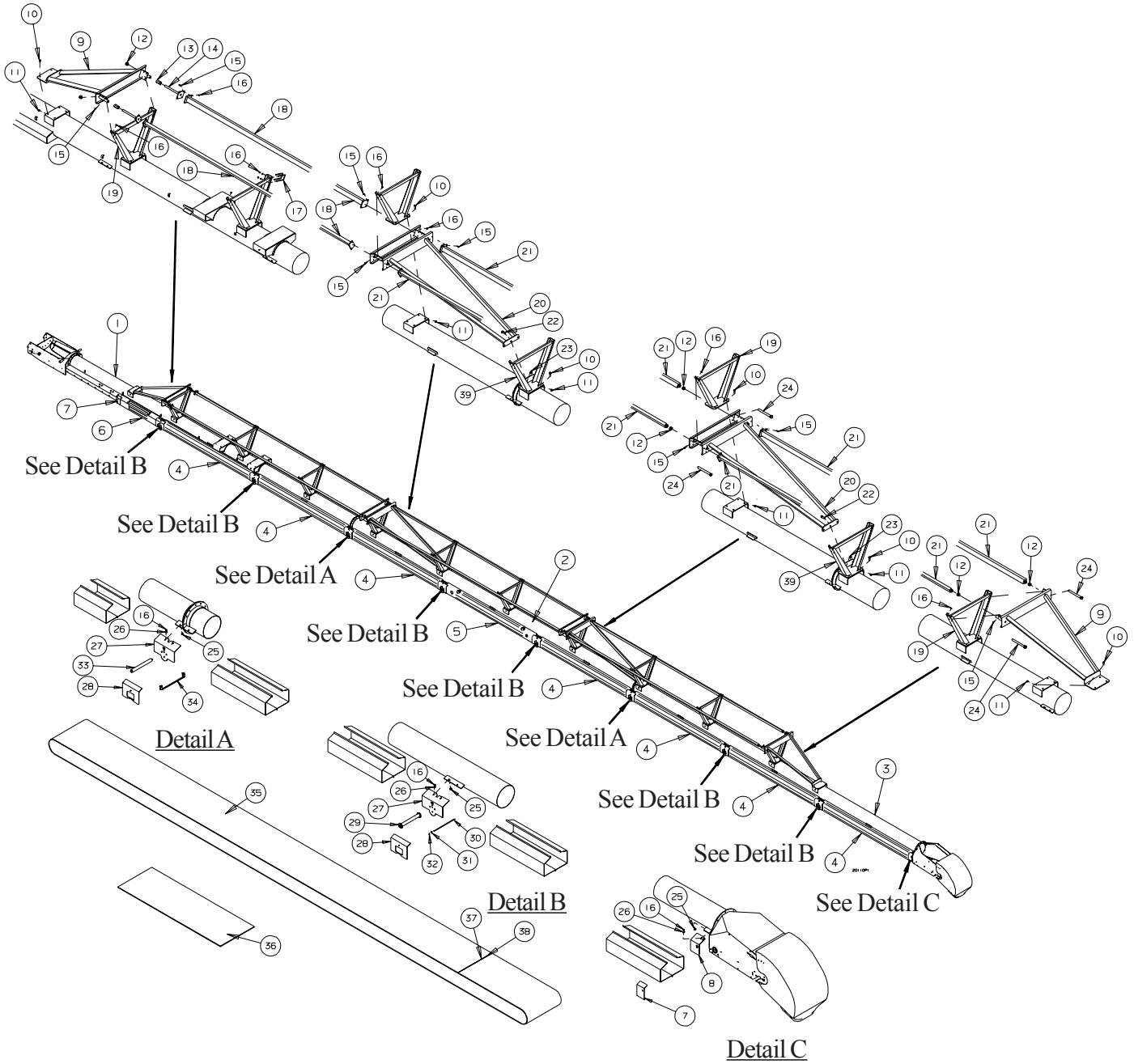
SERIAL NOS. 76276 - 78299

2095 CONVEYOR GENERAL ASSEMBLY - GRAIN BELT CONVEYOR
SERIAL NOS. 76276 - 78299



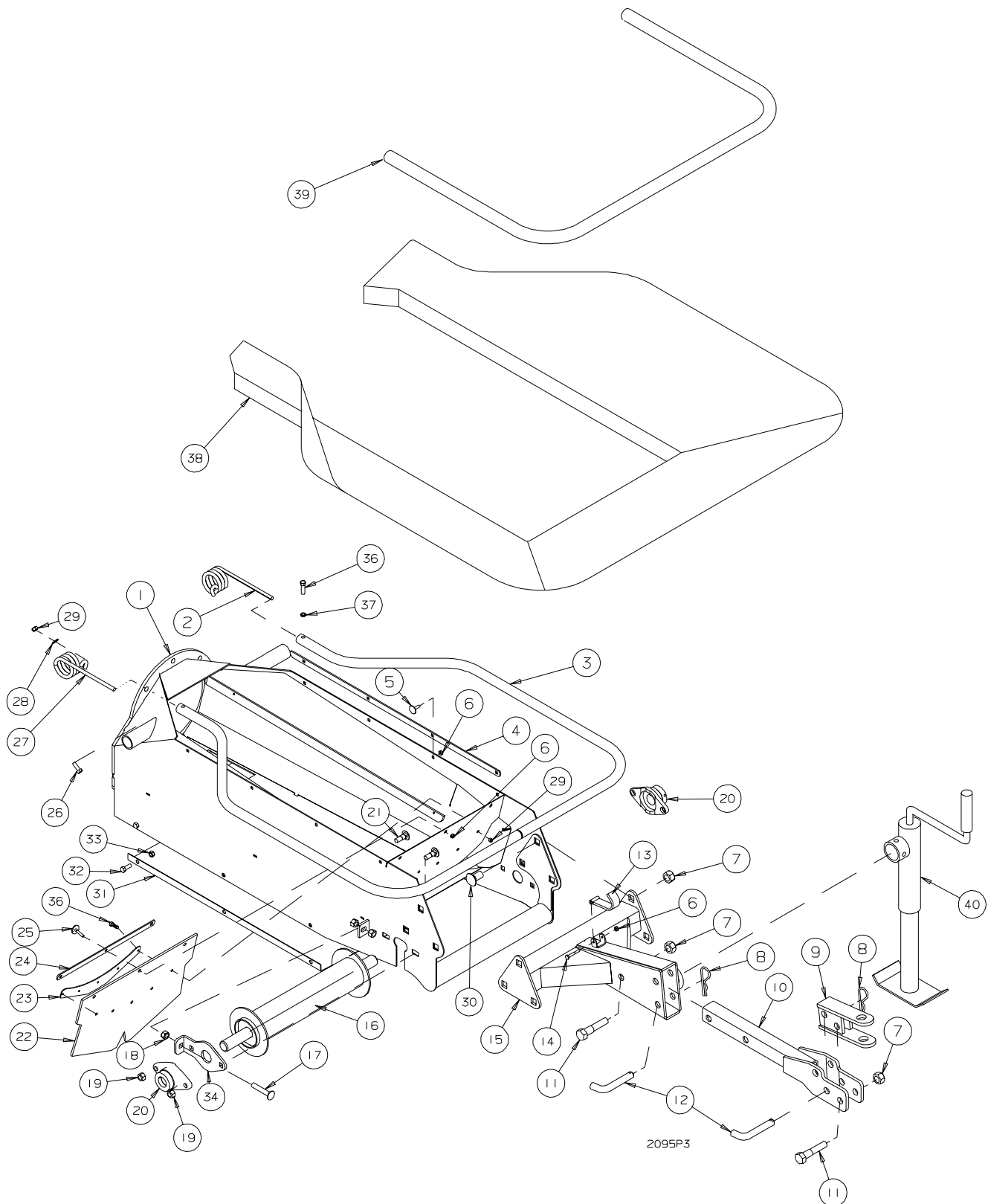
REF #	PART #	DESCRIPTION
1	C202385A	Lower Tube Assembly
2	C202386A	Suspension Tube Assembly
3	C202388A	Upper Tube Assembly
4	B008309	Truss Cable - 1/2" x 73' c/w Loop
5	B008312	Truss Cable - 3/8" x 19'-6" c/w Loop
6	B008107	Truss Cable - 3/8" x 35' c/w Loop
7	C202436	Wind Guard - 20 Series - 112 1/4"
8	C202443	Wind Guard - 20 Series - 128 1/4" - No Large Holes
9	C202480	Wind Guard - Suspension - 128 1/4" - Four Large Holes
10	C202481	Wind Guard - 20 Series - 54 1/4"
11	C202448R	Upper Wind Guard Mount Base - Right
NS	C202448L	Upper Wind Guard Mount Base - Left
12	C302871	Small Truss Tower
13	C302872	Large Truss Tower
14	B0020247	Eyebolt, 5/8" x 16" c/w 12" Thread
15	C302919	Eyebolt Bushing - 1" OD x .640" ID x 1/2" long
16	B001139	5/8" Hex Nut
17	B008085	1/2" Cable Clamp
18	B0020246	Eyebolt, 5/8" x 9 3/8" c/w 6" Thread
19	B008081	3/8" Cable Thimble
20	B008080	3/8" Cable Clamp
21	B001068	5/8" x 1 1/4" Bolt
22	B0011415	5/8" Lock Nut
23	B001070	5/8" x 2" Bolt
24	B0020717	2 1/2" OD x 5/8" ID Washer
25	B002311	Buttite Bushing - 5/8" ID x 3/4" lg
26	B001082	3/8" x 1" Carriage Bolt
27	B001149	3/8" Flatwasher
28	B0011325	3/8" Stover Lock Nut
29	C202425	Wind Guard Mount Base
30	C202437	Wind Guard Mount
31	C202441	Guided Return Roller
32	C202439	Guide Pin - 20 Series
33	B001152	1/2" SAE Flatwasher
34	B0020485	1/8" x 1" Cotter Pin
35	B021253	Return Roller - 1.9" OD x 23" long
36	C202438	Flange Guard - 20 Series
37	B008086	1/2" Cable Thimble
38	C202442R	Upper Wind Guard Mount - Right
NS	C202442L	Upper Wind Guard Mount - Left
39	B018642	PVC Belt - 20" wide x 200' long - Laced
39	B018641	Rubber Belt - 20" wide x 200' long - Laced
40	B0186306	PVC Belt - 20" wide x 5' long - Laced
40	B0186431	PVC Belt - 20" wide x 10' long - Laced
40	B0186441	PVC Belt - 20" wide x 100' long - Laced
40	B0186451	PVC Belt - 20" wide x 30' long - Laced
40	B0186305	Rubber Belt - 20" wide x 5' long - Laced
40	B018643	Rubber Belt - 20" wide x 10' long - Laced
40	B018644	Rubber Belt - 20" wide x 100' long - Laced
40	B018645	Rubber Belt - 20" wide x 30' long - Laced
41	B021323	Alligator Lacing - 20" c/w Pin
42	C200898	Alligator Lacing Pin only - 20"

20110 CONVEYOR GENERAL ASSEMBLY - GRAIN BELT CONVEYOR
SERIAL NOS. 76276 - 78299



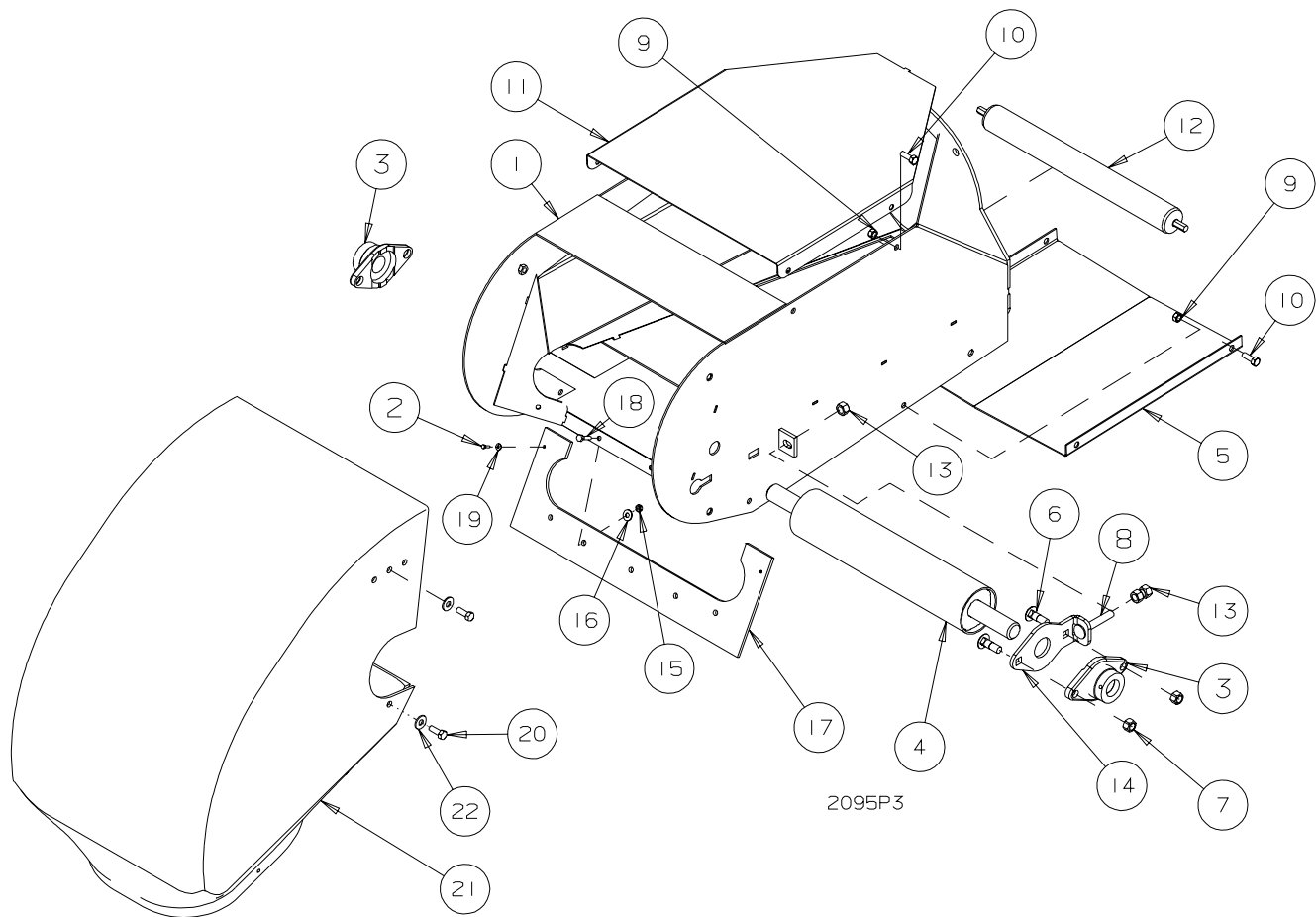
REF #	PART #	DESCRIPTION
1	C202383A	Lower Tube Assembly - 20110
2	C202384A	Suspension Tube Assembly - 20110
3	C202387A	Upper Tube Assembly - 20110
4	C202443	Wind Guard - 20 Series - 128 1/4" - No Large Holes
5	C202480	Wind Guard - Suspension - 128 1/4" - Four Large Holes
6	C202481	Wind Guard - 20 Series - 54 1/4"
7	C202442R	Upper Wind Guard Mount - Right
NS	C202442L	Upper Wind Guard Mount - Left
8	C202448R	Upper Wind Guard Mount Base - Right
NS	C202448L	Upper Wind Guard Mount Base - Left
9	C202508	Outer Truss End
10	B001041	1/2"x 1 1/2" Bolt
11	B001134	1/2" Stover Lock Nut
12	B001077	1" Hex Nut
13	B002303	1" Coupling Nut
14	C202509	Tension Rod Weldment
15	B001025	3/8"x 1 1/4" Bolt
16	B0011325	3/8" Stover Lock Nut
17	B0020135	3/8"x 2" Sq. U-bolt x 3" long
18	C202507	Truss Tube Weld - Plates
19	C202398	Common Truss Tower
20	C203113	Inner Truss End
21	C202399	Truss Pull Tube
22	B001069	5/8"x 1 1/2" Bolt
23	B0011415	5/8" Stover Lock Nut
24	C204178	Truss Tension Bolt - 1"x 12 3/8"
25	B001082	3/8" x 1" Carriage Bolt
26	B001149	3/8" Flatwasher
27	C202425	Wind Guard Mount Base
28	C202437	Wind Guard Mount
29	C202441	Guided Return Roller
30	C202439	Guide Pin - 20 Series
31	B001151	1/2" Flatwasher
32	B0020485	1/8" x 1" Cotter Pin
33	B021253	Return Roller - 1.9" OD x 23" long
34	C202438	Flange Guard - 20 Series
35	B018646	Rubber Belt - 20" wide x 230' long - Laced
36	B0186306	PVC Belt - 20" wide x 5' long - Laced
36	B0186431	PVC Belt - 20" wide x 10' long - Laced
36	B0186441	PVC Belt - 20" wide x 100' long - Laced
36	B0186451	PVC Belt - 20" wide x 30' long - Laced
36	B0186305	Rubber Belt - 20" wide x 5' long - Laced
36	B018643	Rubber Belt - 20" wide x 10' long - Laced
36	B018644	Rubber Belt - 20" wide x 100' long - Laced
36	B018645	Rubber Belt - 20" wide x 30' long - Laced
37	B021323	Alligator Lacing - 20" c/w Pin
38	C200898	Alligator Lacing Pin only - 20"
39	C202114	Truss Tower c/w End Mount
NS	C204585	20" Lacing Kit (includes 20" of lacing pin & retaining washers)

INTAKE ASSEMBLY - 20 SERIES GRAIN BELT CONVEYOR
SERIAL NOS. 76276 - 78299



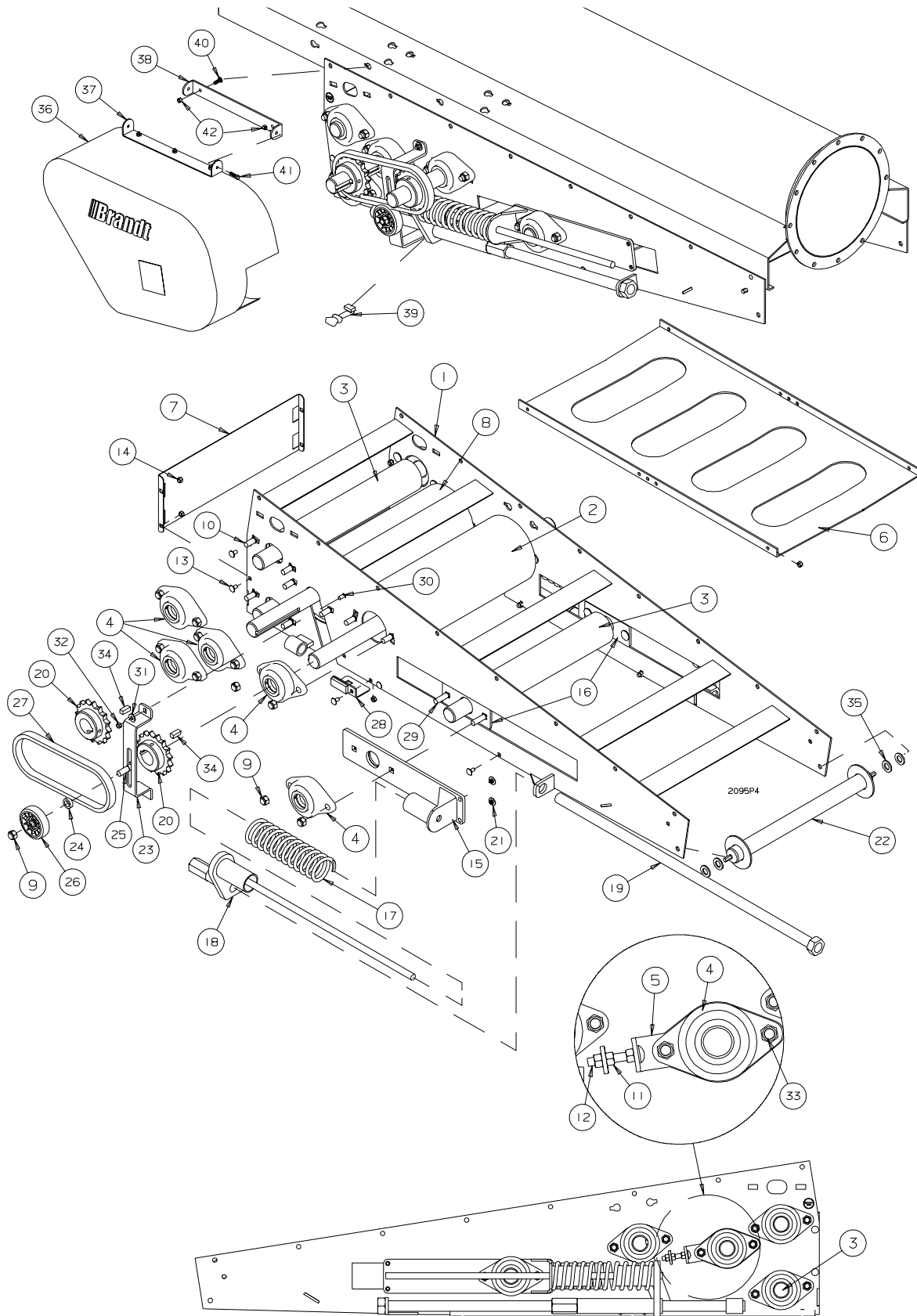
REF #	PART #	DESCRIPTION
1	C202380	Hopper Weldment - 20 Series
2	B021742R	Hopper Spring - 1/2" dia - Right
3	C202455	Hopper Rail
4	C202477	Long Hopper Strap
5	B001082	3/8" x 1" Carriage Bolt
6	B0011325	3/8" Stover Lock Nut
7	B001154	3/4" Stover Lock Nut
8	B002091	3/16" x 3 3/4" Hair Pin Clip
9	C202454	Hitch Clevis
10	C202453	Male Hitch - 20 Series
11	B001110	3/4" x 5" Bolt
12	C201241	3/4" x 5 7/16" L-Pin c/w Hole
13	C202505	Flip Restraint - 20 Series
14	B001004	1/4" x 1 3/4" Bolt
15	C202382	Female Hitch
16	C204208	4" x 21 1/2" Guiding Roller
17	B001091	1/2" x 3" Carriage Bolt - Full Thread
18	B001135	1/2" Hex Nut
19	B001141	5/8" Lock Nut
20	B017224	1 15/16" Bearing, 2 Bolt Flange
21	B0010939	5/8" x 2" Carriage Bolt
22	B027544	Rear Main Flashing - 2 Ply Rubber
23	C202476	Flashing Plate - 20 Series
24	C202478	Intake End - 20 Series
25	B0010835	3/8" x 1 1/4" Carriage Bolt
26	B001040	1/2" x 1 1/4" Bolt
27	B021742L	Hopper Spring - 1/2" dia - Left
28	B001151	1/2" Flatwasher
29	B001134	1/2" Stover Lock Nut
30	B001098	3/4" x 2" Carriage Bolt
31	C202428	Intake Guard - 20 Series
32	B001023	3/8" x 3/4" Bolt
33	B001132	3/8" Lock Nut
34	C202354	1 15/16" Bearing Plate
35	B001149	3/8" Flat Washer
36	B001025	3/8" x 1 1/4" Bolt
37	B001130	3/8" Jam Nut
38	B021423	Hopper Fabric - Black - 20 Series
39	B024081	1" ID x 90" lg Flexible Conduit
40	B030529	Jack - 3000 lbs

DISCHARGE ASSEMBLY - 20 SERIES GRAIN BELT CONVEYOR
SERIAL NOS. 76276 - 78299



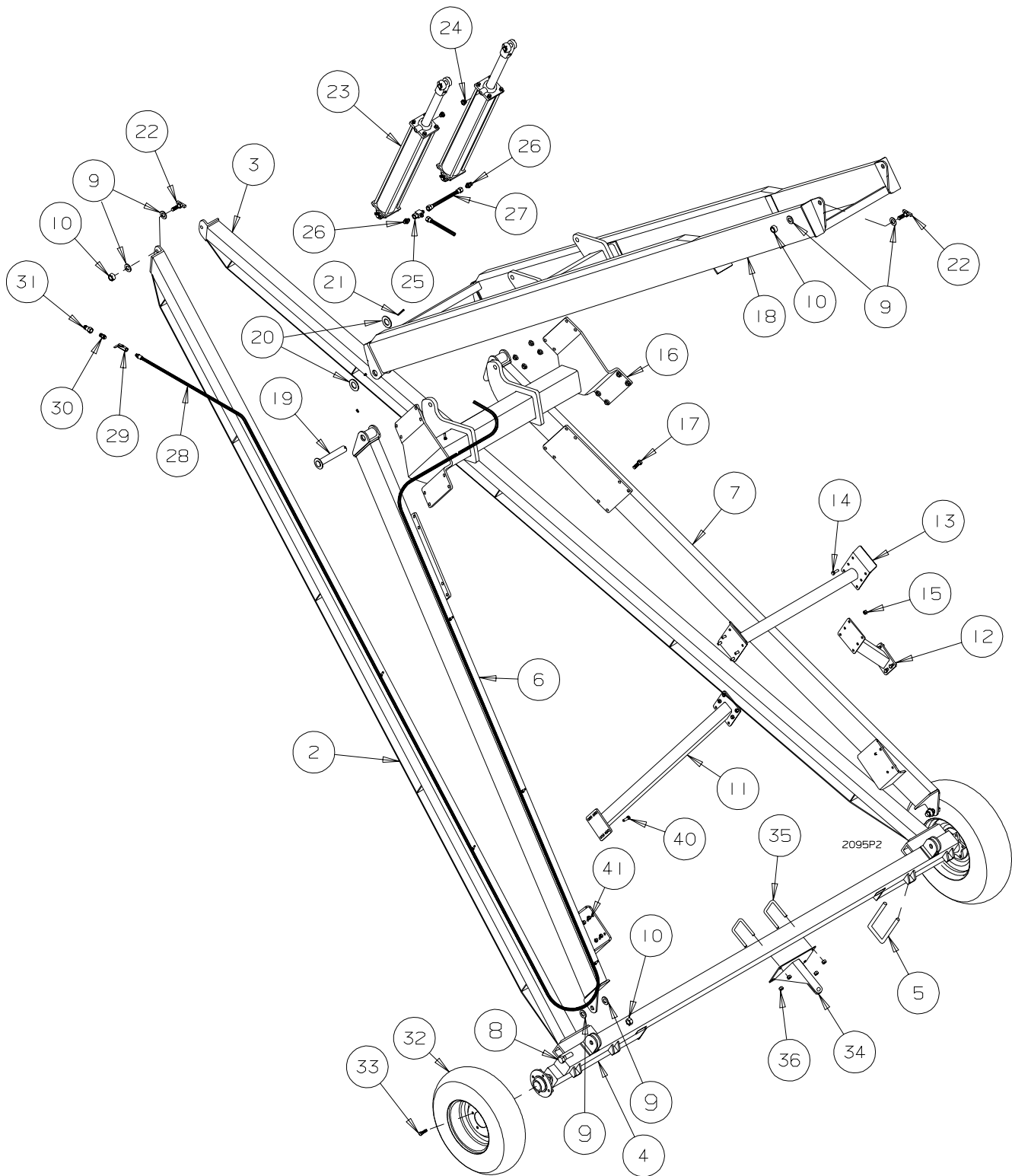
REF #	PART #	DESCRIPTION
1	C202452	Discharge Weldment - 20 Series
2	B002036	#10 x 5/8" TEK Screw
3	B017224	1 15/16" Bearing - 2 Bolt Flange
4	C202450	5" x 21 1/2" Roller
5	C202487	Discharge Bottom Guard - 20 Series
6	B0010939	5/8"x 2" Carriage Bolt
7	B0011415	5/8" Lock Nut
8	B001091	1/2" x 3" Carriage Bolt
9	B0011325	3/8" Stover Lock Nut
10	B001023	3/8" x 3/4" Bolt
11	C202472	Discharge Cap - 20 Series
12	B021253	1.9" OD x 23" Roller
13	B001135	1/2" Hex Nut
14	C202354	1 15/16" Bearing Plate
15	B001124	1/4" Lock Nut
16	B001147	1/4" Flatwasher
17	B027545	Discharge Flashing - 2 Ply Rubber - 20 Series
18	B001003	1/4" x 1" Bolt
19	B0011459	#10 Flatwasher
20	B001024	3/8" x 1" Bolt
22	B027605	Discharge Spout - 20 Series
23	B001149	3/8" Flatwasher

S DRIVE ASSEMBLY - 20 SERIES GRAIN BELT CONVEYOR
SERIAL NOS. 76276 - 78299



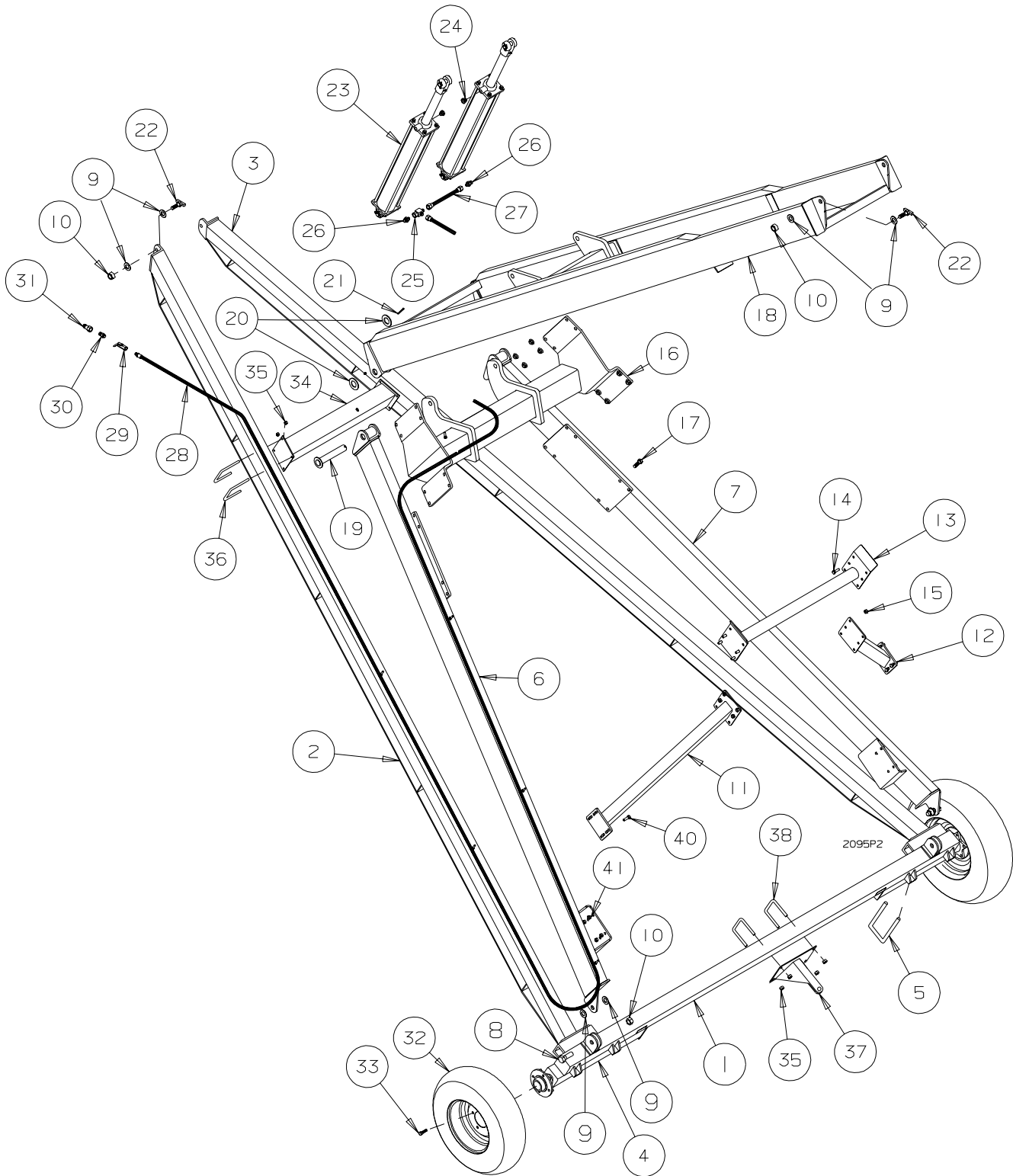
REF #	PART #	DESCRIPTION
1	C204430	S-Drive Weldment
2	C204435	9" Drive Roller Assembly - Driver - 20 Series
3	C202432	4" x 21 1/2" Roller
4	B017224	1 15/16" dia Bearing - 2 Bolt Flange
5	C202354	1 15/16" Bearing Plate
6	C204433	S-Drive Under Guard
7	C202434	S-Drive Back Guard
8	C204475	9" Drive Roller Assembly - Driven - 20 Series
9	B001141	5/8" Lock Nut
10	B0010938	5/8" x 1 3/4" Carriage Bolt
11	B001135	1/2" Hex Nut
12	B001091	1/2" x 3" Carriage Bolt
13	B0010819	3/8" x 3/4" Carriage Bolt
14	B001131	3/8" Hex Nut
15	B204544	Tension Pull
16	C202424	S-Drive Back Plate
17	B0210735	Spring - 3.406 OD x 16" x .393" wire
18	C204445L	Rod Slide - Left - 20 Series
NS	C204445R	Rod Slide - Right - 20 Series
19	C202423	Adjustment Rod - 20 Series
19	C204210	Adjustment Rod- Stainless Steel
20	B009060	#120 x 14 Sprocket - 1 15/16" bore
21	B027500	Plastic Wear Pad
22	C202441	Guide Roller - 20 Series
23	C204427	Chain Take Up Bracket
24	C202449	Idler Spacer - 20 Series
25	B001070	5/8" x 2" Bolt
26	B009161	4" OD Idler Roller - 5/8" Bore x 1" Wide
27	B009588	R120 x 28 Pitch Chain
28	C202414	Chain Guard Stop
29	B001094	5/8" x 2 1/4" Carriage Bolt
30	B001082	3/8" x 1" Carriage Bolt
31	B001149	3/8" Flatwasher
32	B001132	3/8" Lock Nut
33	B0010939	5/8" x 2" Carriage Bolt
34	C202484	1/2" Key x 1 1/4" lg.
35	B001157	3/4" SAE Flatwasher
36	B027534	Plastic Chain Guard Only - 20 Series
37	C202457	Plastic Chain Guard Mount
38	C202458	S-Drive Hinge
39	B0219992	Rubber Hold Down Strap
40	B001080	1/4" x 1" Carriage Bolt
41	B001003	1/4" x 1" Bolt
42	B0011245	1/4" Lock Nut

UNDERCARRIAGE ASSEMBLY - 2095 GRAIN BELT CONVEYOR
SERIAL NOS. 76276 - 78299



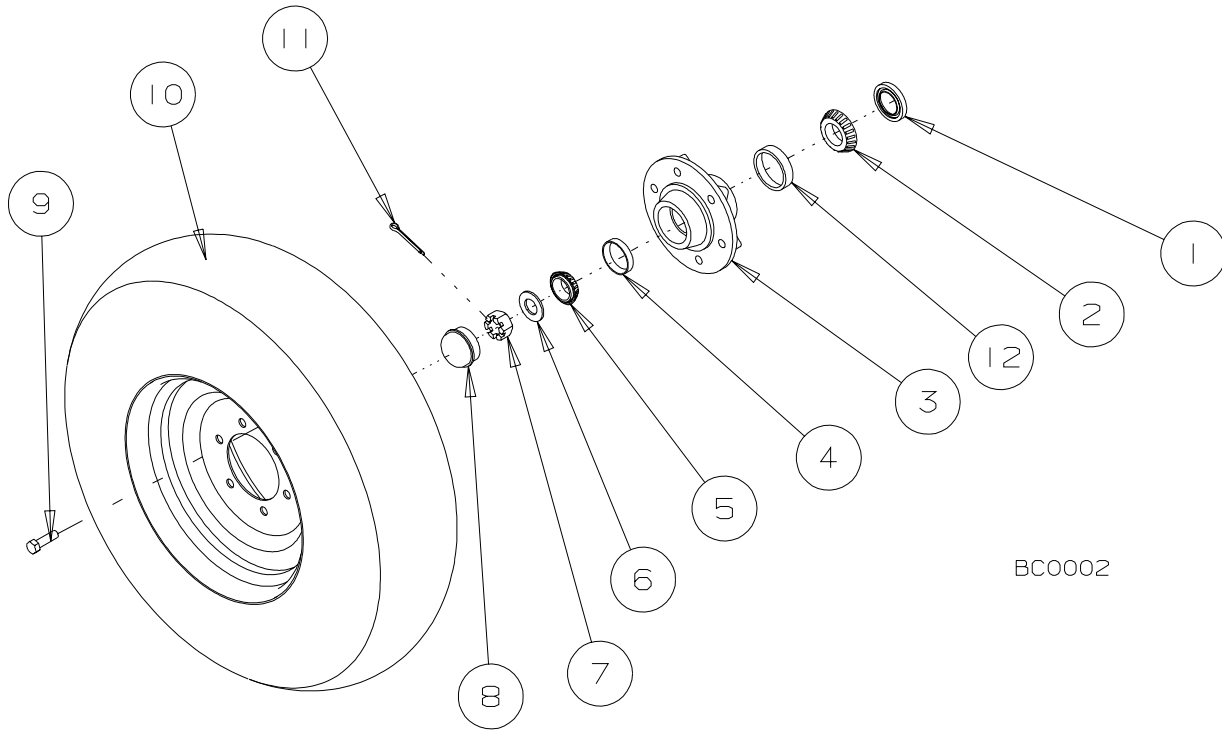
REF #	PART #	DESCRIPTION
1	C302876	Axle Weldment
2	C302869R	Axle Arm - 2095 - Right
3	C302869L	Axle Arm - 2095 - Left
4	C302877	Axle Extension
5	B0020211	5/8"x 5" U-bolt x 6 1/2" lg.
6	C202931R	Lift Arm - 2095 - Right
7	C202931L	Lift Arm - 2095 - Left
8	B0011177	1"x 3" Bolt
9	B001159	1" Flatwasher
10	B001075	1" Lock Nut
11	C302878R	Transport Upright - 2095 - Right
12	C302878L	Transport Upright - 2095 - Left
13	C302879	Transport Rest Cross - 2095
14	B001040	1/2"x 1 1/4" Bolt
15	B001136	1/2" Lock Nut
16	C202470	Lift Cross - 2095
17	B001070	5/8"x 2" Bolt
18	C202390	Ladder - 2095
19	C312931	1 1/2" dia. Hinge Pin
20	B001161	1 1/2" Flatwasher
21	B0020605	5/16"x 3" Roll Pin
22	C203666	1"x 2 1/2" Suspension Bolt
23	B0191677	4"x 36" Hydraulic Cylinder
24	B0193051	#6 MORB Breather
25	B019463	Tee - #6 FJIC x #6 MJIC x #6 MJIC
26	B019441	#6 MORB x #6 MJIC Adapter Nipple
27	B019249	3/8" Hydraulic Hose x 18" - #6 FJIC both ends
28	B019293	3/8" Hydraulic Hose x 66' - 3/8" MPT x #6 FJIC
29	B019300	3/8" FPT Hydraulic Ball Valve
30	B019516	1/2" MPT x 3/8" MPT Reducer Nipple
31	B019200	Pioneer Male Tip - 1/2" MPT
32	B011230	12.5L x 15 SL 8 ply Tire and Rim Assembly
33	B011504	Wheel Bolt - 6 Bolt Hub
34	C204207	Tow Hitch
35	B0020187	1/2"x 6" U-bolt x 5 1/2" deep
36	B001134	1/2" Stover Lock Nut

UNDERCARRIAGE ASSEMBLY - 20110 GRAIN BELT CONVEYOR
SERIAL NOS. 76276 - 78299



REF #	PART #	DESCRIPTION
1	C302876	Axle Weldment
2	C202397RA	Axle Arm Assembly- 20110 - Right
3	C202397LA	Axle Arm Assembly- 20110 - Left
4	C302877	Axle Extension - 90'
5	B0020211	5/8"x 5" U-bolt x 6 1/2" lg.
6	C202396R	Lift Arm - 20110 - Right
7	C202396L	Lift Arm - 20110 - Left
8	B0011177	1"x 3" Bolt
9	B001159	1" Flatwasher
10	B001075	1" Lock Nut
11	C200727	Transport Upright - 20110 - Right
12	C200730	Transport Upright - 20110 - Left
13	C202501	Transport Rest Cross - 20110
14	B001040	1/2"x 1 1/4" Bolt
15	B001136	1/2" Lock Nut
16	C202496	Lift Cross - 20110
17	B001070	5/8"x 2" Bolt
18	C202395	Ladder - 20110
19	C312931	1 1/2" dia. Hinge Pin
20	B001161	1 1/2" Flatwasher
21	B0020605	5/16"x 3" Roll Pin
22	C203666	1"x 2 1/2" Suspension Bolt
23	B0191895	5"x 36" Hydraulic Cylinder
24	B0193051	#6 MORB Breather
25	B019463	Tee - #6 FJIC x #6 MJIC x #6 MJIC
26	B019441	#6 MORB x #6 MJIC Adapter Nipple
27	B0192495	3/8" Hydraulic Hose x 24" - #6 FJIC both ends
28	B0192936	3/8" Hydraulic Hose x 88' - 3/8" MPT x #6 FJIC
29	B019300	3/8" FPT Hydraulic Ball Valve
30	B019516	1/2" MPT x 3/8" MPT Reducer Nipple
31	B019200	Pioneer Male Tip - 1/2" MPT
32	B011230	12.5L x 15 SL 8 ply Tire and Rim Assembly
33	B011504	Wheel Bolt - 6 Bolt Hub
34	C202515	Axle Arm Cross Brace
35	B001134	1/2" Stover Lock Nut
36	B002018	1/2"x 4" U-bolt x 5 1/2" deep
37	C204207	Tow Hitch
38	B0020187	1/2"x 6" U-bolt x 5 1/2" deep

HUB ASSEMBLY - 20 SERIES GRAIN BELT CONVEYOR
SERIAL NOS. 76276 - 78299



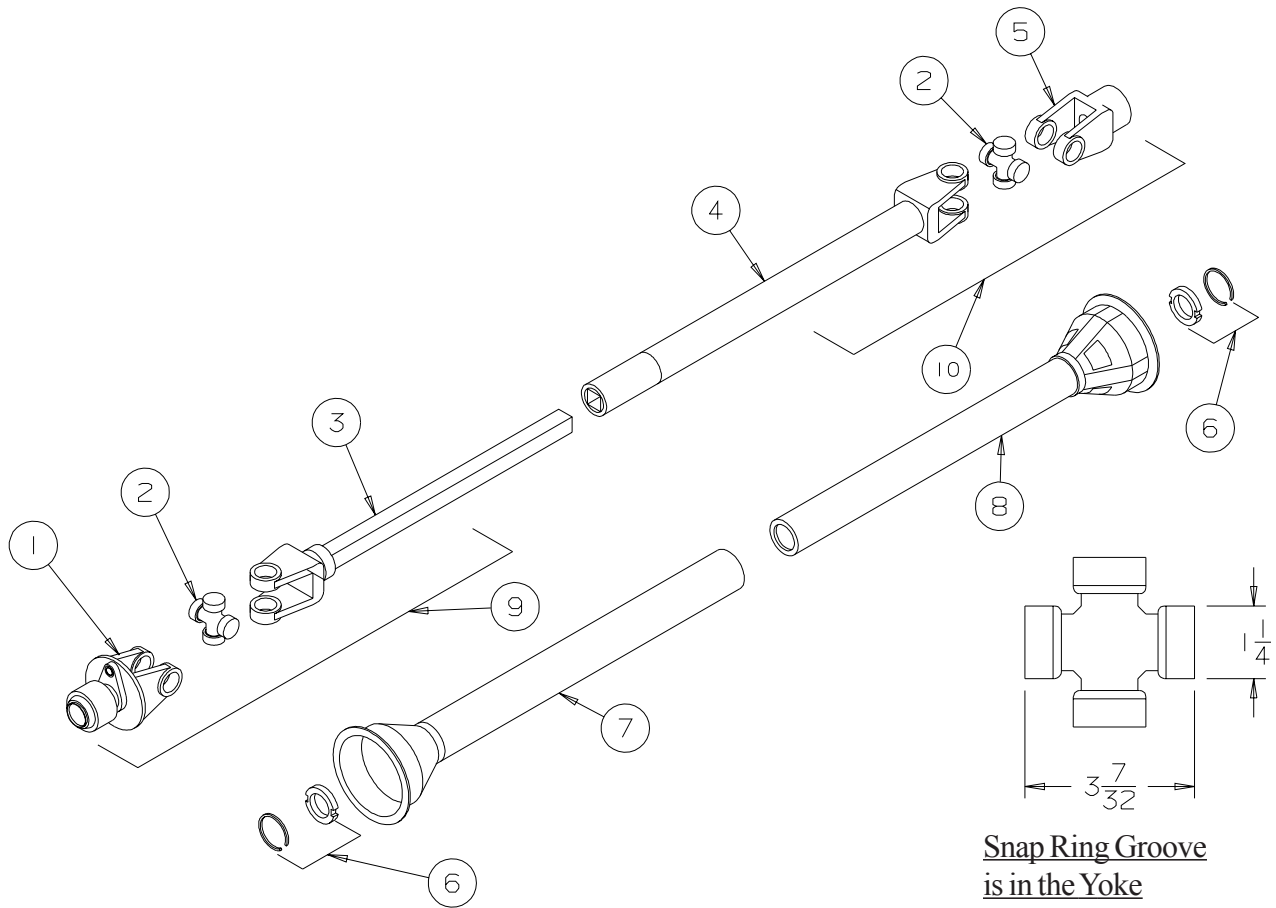
BC0002

REF #	PART #	DESCRIPTION
1	B011650	Seal, 6 Bolt Hub
2	B011651	Inner Bearing Cone (LM29749)
3	B011003	6 Bolt Hub Complete
3	B011668	6 Bolt Hub c/w Cups
4	B011602	Outer Bearing Cup (LM-67010)
5	B011603	Outer Bearing Cone (LM-67048)
6	B001158	1" SAE Flatwasher
7	B011681	1" - 14 TPI UNF Castle Nut
8	B011503	Dust Cap (DC13)
9	B011504	Wheel Bolt .500-20 UNF x 1.75" (WB10)
10	B011230	Tire 12.5L x 15 SL 8 ply - Mounted
11	B002054	3/16" x 2" Cotter Pin
12	B011652	Inner Bearing Cup (LM-29710)

PTO SHAFT ASSEMBLY - 20 SERIES GRAIN BELT CONVEYOR

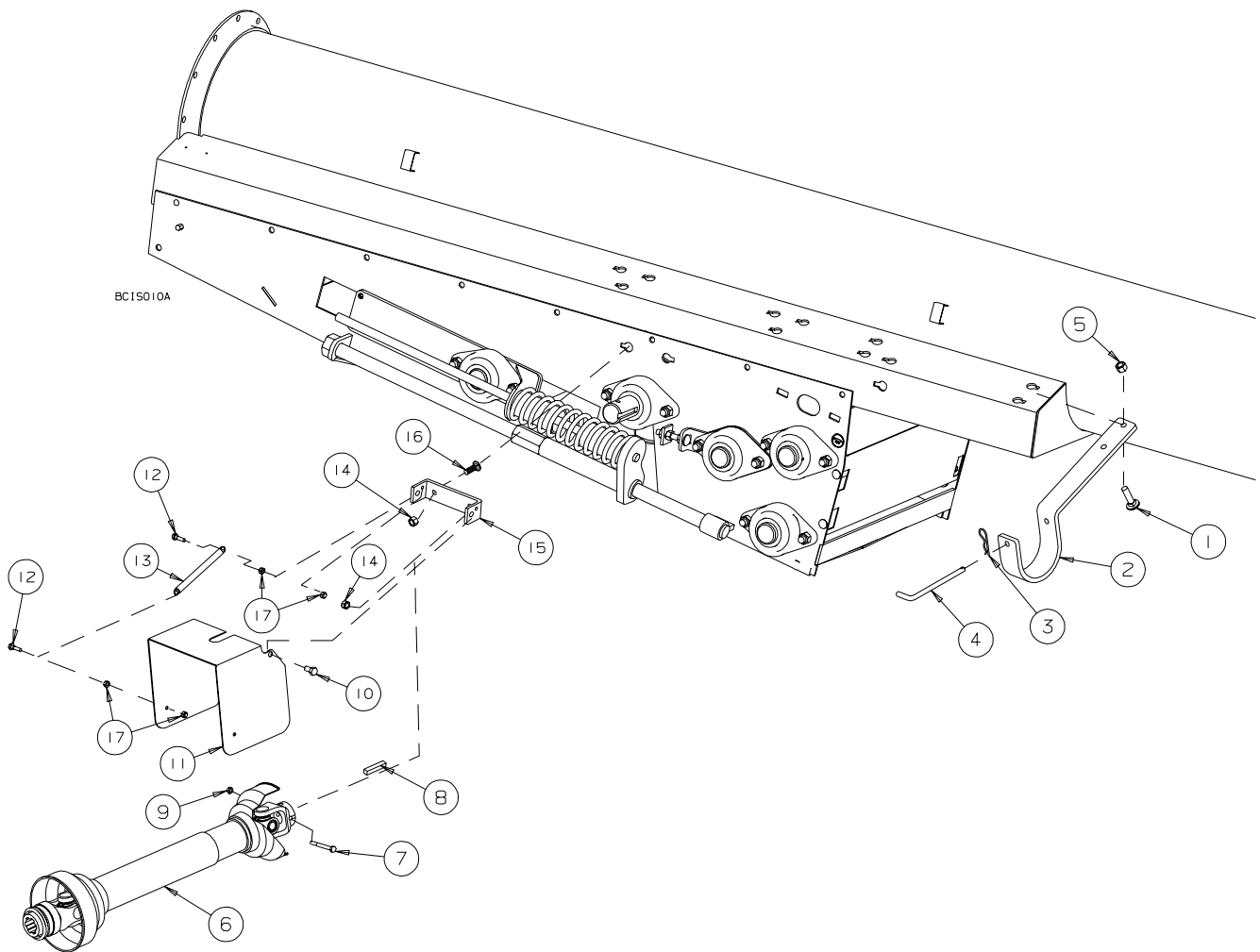
SERIAL NOS. 76276 - 78299

WEASLER SERIES 35R



REF #	PART NO.	DESCRIPTION	QTY.
1	B003744	Shear Yoke Assembly - 6 Spline	1
2	B0037151	Cross & Bearing Kit	2
3	B003883	Input Yoke & Shaft	1
4	B003884	Output Yoke & Tube	1
5	B003885	Implement Yoke - 1 15/16" Bore	1
6	B003776	Shield Bearing	2
7	B003887	Outer Shield	1
8	B003888	Inner Shield	1
9	B003880	Tractor Half of Shaft c/w Guard - 6 Spline	1
10	B003881	Implement Half of Shaft c/w Guard	1
NS	B003102	Shear Bolt - 5/16" x 1" Gr. 5	1
NS	B003103	Shear Nut - 5/16" Stover Lock Nut	1
	B003062	PTO Shaft - Complete	

PTO DRIVE KIT - 20 SERIES GRAIN BELT CONVEYOR
SERIAL NOS. 76276 - 78299



REF #	PART #	DESCRIPTION
1	B001083	3/8" x 1 1/2" Carriage Bolt
2	C200630	PTO Holder
3	B0020295	3/8" x 4 3/4" L-Pin
4	B002091	3/16" x 3 3/4" Hair Pin Clip
5	B0011325	3/8" Lock Nut
6	B003062	PTO Shaft - 20 Series Conveyor
7	B001035	3/8" x 4" Bolt
8	C202517	1/2" Key x 2" lg.
9	B0011325	3/8" Lock Nut
10	B001024	3/8" x 1" Bolt
11	C202460	PTO Shaft Guard - 20 Series
12	B001003	1/4" x 1" Bolt
13	B021074	Extension Spring
14	B0011325	3/8" Lock Nut
15	C202459	PTO Guard Mount Bracket - 20 Series
16	B001082	3/8" x 1" Carriage Bolt
17	B0011245	1/4" Lock Nut