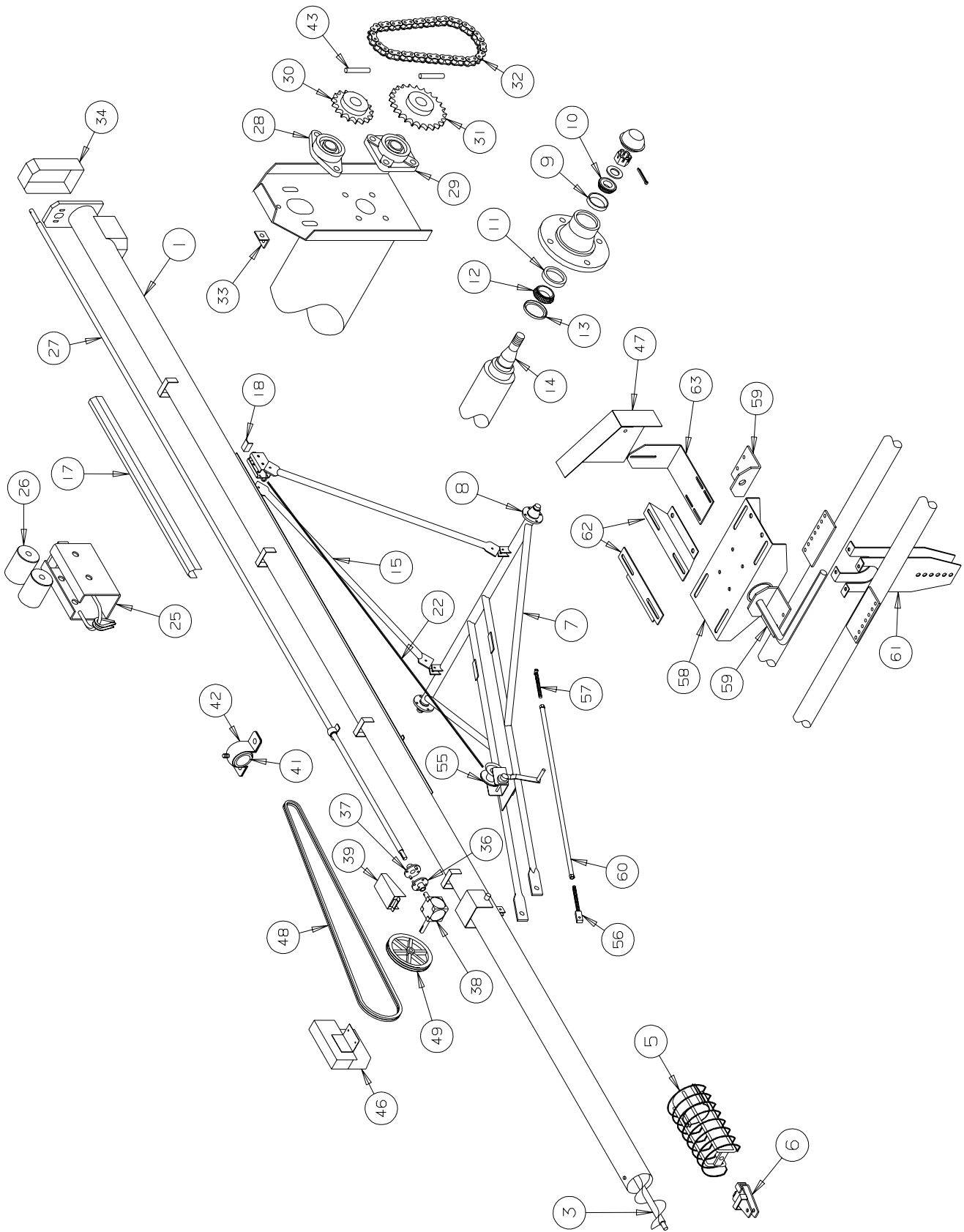


***7" & 8" STANDARD and
8" SUPERCHARGED AUGERS***

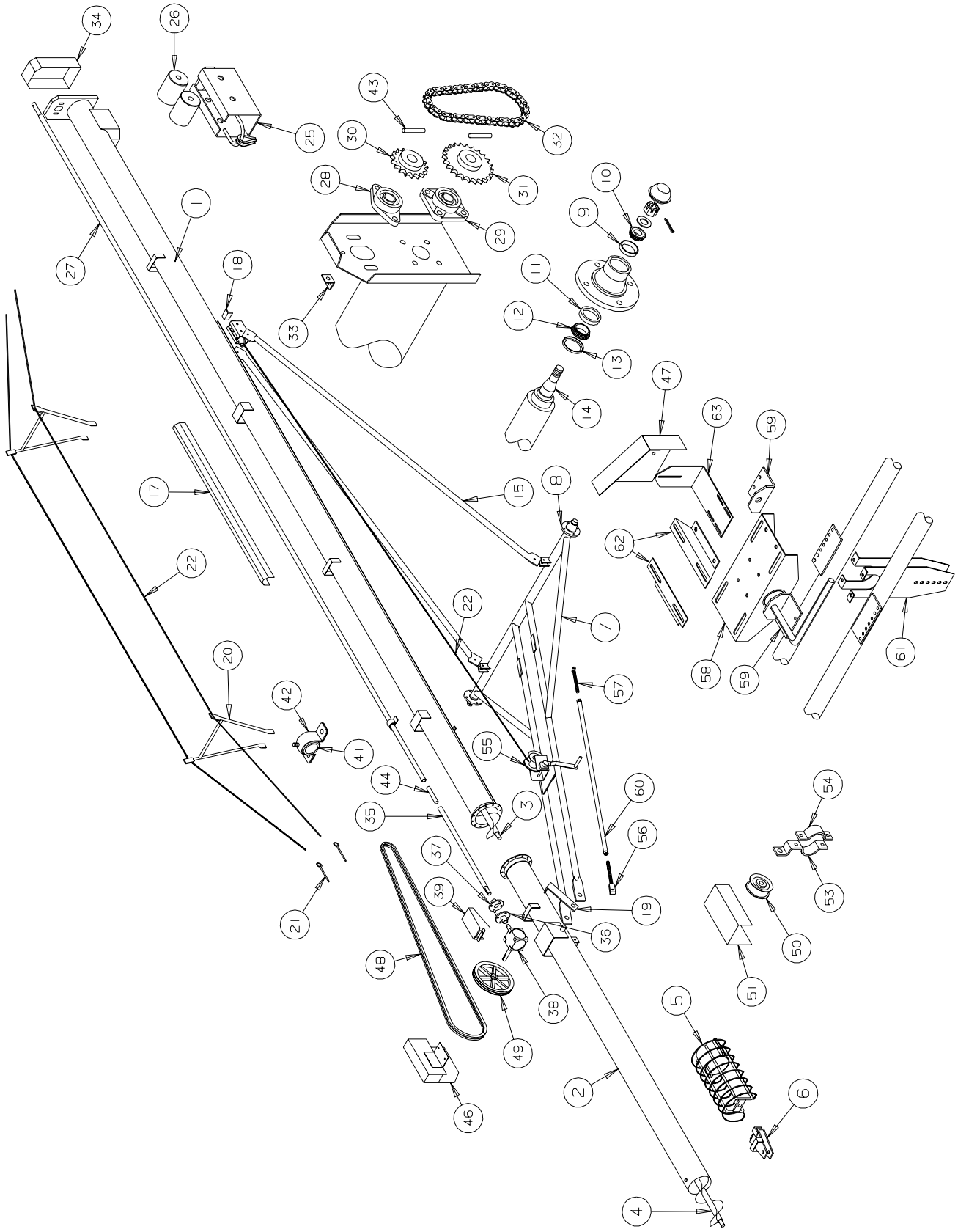
PARTS LISTS

SERIAL NOS. 87000 - 91999

7" X 35' STANDARD AUGERS
SERIAL NOS. 87000 - 91999



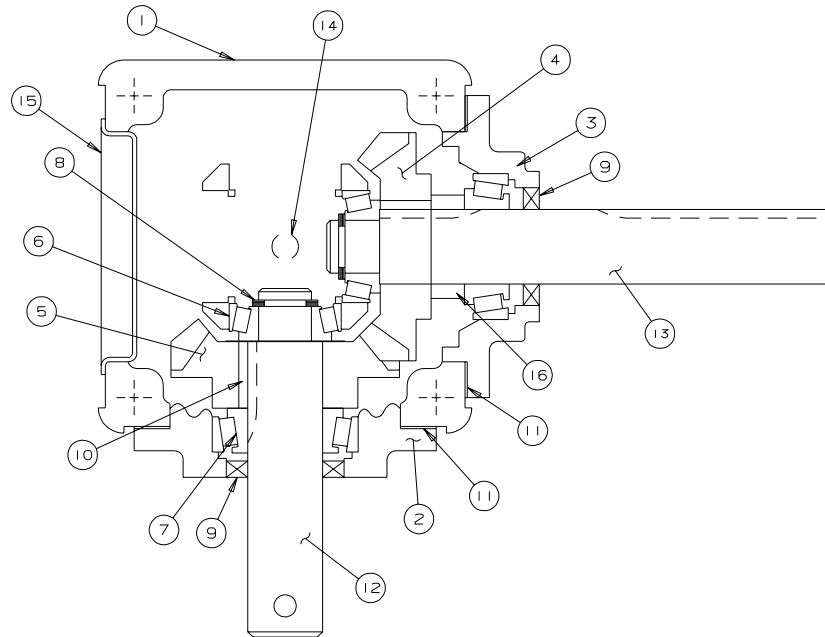
7" X 40', 45' AND 50' STANDARD AUGERS
SERIAL NOS. 87000 - 91999



REF#	PART NO.	DESCRIPTION	
1	B796102	TUBE WELDMENT ONLY LESS INTAKE	35'x 7"
1	B799103	UPPER TUBE WELDMENT	7"x 40'
1	B796103	UPPER TUBE WELDMENT	7"x 45' & 50'
2	B799112	LOWER TUBE WELD ONLY LESS INTAKE	40'x 7"
2	B796113	LOWER TUBE WELD ONLY LESS INTAKE	45'x 7"
2	B796114	LOWER TUBE WELD ONLY LESS INTAKE	50'x 7"
3	B794122	FLIGHT WELDMENT	35'x7"
3	B780123	UPPER FLIGHT WELDMENT	40', 45' & 50'x 7"
4	B794132	LOWER FLIGHT WELDMENT	40'x 7"
4	B794133	LOWER FLIGHT WELDMENT	45'x 7"
4	B794134	LOWER FLIGHT WELDMENT	50'x 7"
5	B791143	INTAKE ASSEMBLY	7" AUGERS
NS	B017610	INTAKE BUSHING	ALL SIZES
6	B890400	HITCH ASSEMBLY	ALL SIZES
7	C802710	AXLE FRAME ASSEMBLY C/W HUBS	35'
7	B899712	AXLE FRAME ASSEMBLY C/W HUBS	40'
7	B898714	AXLE FRAME ASSEMBLY C/W HUBS	45'
7	B898716	AXLE FRAME ASSEMBLY C/W HUBS	50'
8	B011005	HUB COMPLETE - 4 BOLT	ALL SIZES
9	B011600	OUTER CUP - AUGER HUB	ALL SIZES
10	B011601	OUTER CONE - AUGER HUB	ALL SIZES
11	B011602	INNER CUP - AUGER HUB	ALL SIZES
12	B011603	INNER CONE - AUGER HUB	ALL SIZES
13	B011604	SEAL - 4 BOLT HUB	ALL SIZES
14	B011012	SPINDLE ONLY	ALL SIZES
15	B191602	A-FRAME ARM - 2 REQUIRED	35'
15	B891518	A-FRAME ARM - 2 REQUIRED	40'
15	B891519	A-FRAME ARM - 2 REQUIRED	45',50'
17	B887486	DRIVESHAFT GUARD x 10 5/8" LONG	AS REQ'D
17	B887485	DRIVESHAFT GUARD x 36 3/4" LONG	AS REQ'D
17	B887480	DRIVESHAFT GUARD x 60 1/2" LONG	AS REQ'D
17	B892839	DRIVESHAFT GUARD x 43" LONG	35'
17	B191525	DRIVESHAFT GUARD x 41" LONG	40'

REF#	PART NO.	DESCRIPTION	
18	B791100	TRANSPORT STOP	ALL SIZES
19	B794445	LOWER TRUSS ARM	50'x 7"
20	B891510	TRUSS TOWER	50'x 7"
21	B002025	1/2" x 6 3/4" EYE BOLT (TRUSS)	50'x 7"
22	B008010	CABLE - 1/4" DIAMETER AIRCRAFT	AS REQ'D
NS	B008070	1/4" CABLE CLAMP	AS REQ'D
NS	B008071	1/4" CABLE THIMBLE	AS REQ'D
25	B693261	SLIDE	ALL SIZES
26	B680261R	SLIDE ROLLER	ALL SIZES
27	B691401	DRIVESHAFT WELDMENT	35'
27	B699402	DRIVESHAFT WELDMENT	40'
27	B791402	UPPER DRIVESHAFT WELDMENT	45' & 50'
28	B017050	1" - 2 BOLT FLANGE BEARING	ALL SIZES
29	B017070	1" - 4 BOLT FLANGE BEARING	ALL SIZES
30	B009001	UPPER SPROCKET 50-17	ALL SIZES
31	B009003	LOWER SPROCKET 50-24	ALL SIZES
32	B009008	DRIVE CHAIN - R50 x 42 PITCH	ALL 7"
33	B191532	DRIVESHAFT GUARD HOLD DOWN	AS REQ'D
34	B027030	CHAIN GUARD	ALL SIZES
35	B891508	LOWER DRIVESHAFT C/W STUB	45'
35	B891509	LOWER DRIVESHAFT C/W STUB	50'
36	B895401	CAST COUPLING - INNER	ALL SIZES
37	B895420	CAST COUPLING - OUTER	ALL SIZES
38	B003001	GEARBOX 1.5:1	ALL SIZES
39	B887471	COUPLING GUARD	ALL SIZES
41	B017045	DRIVESHAFT BEARING - ONE PIECE	ALL SIZES
41	B017046	DRIVESHAFT BEARING - SPLIT REPLACE	ALL SIZES
42	B887477	DRIVESHAFT BEARING HOUSING	ALL SIZES
43	B002060	ROLL PIN - 5/16" x 2 1/2"	ALL SIZES
44	B890467	DRIVELINE COUPLING SHAFT	45' & 50'
NS	B001007	GEAR BOX SHEAR BOLT-5/16"x2" GR. 2	ALL 7"
46	B678342	GEAR BOX PULLEY GUARD	ALL SIZES
47	B696344	ENGINE PULLEY GUARD - GAS DRIVE	ALL SIZES

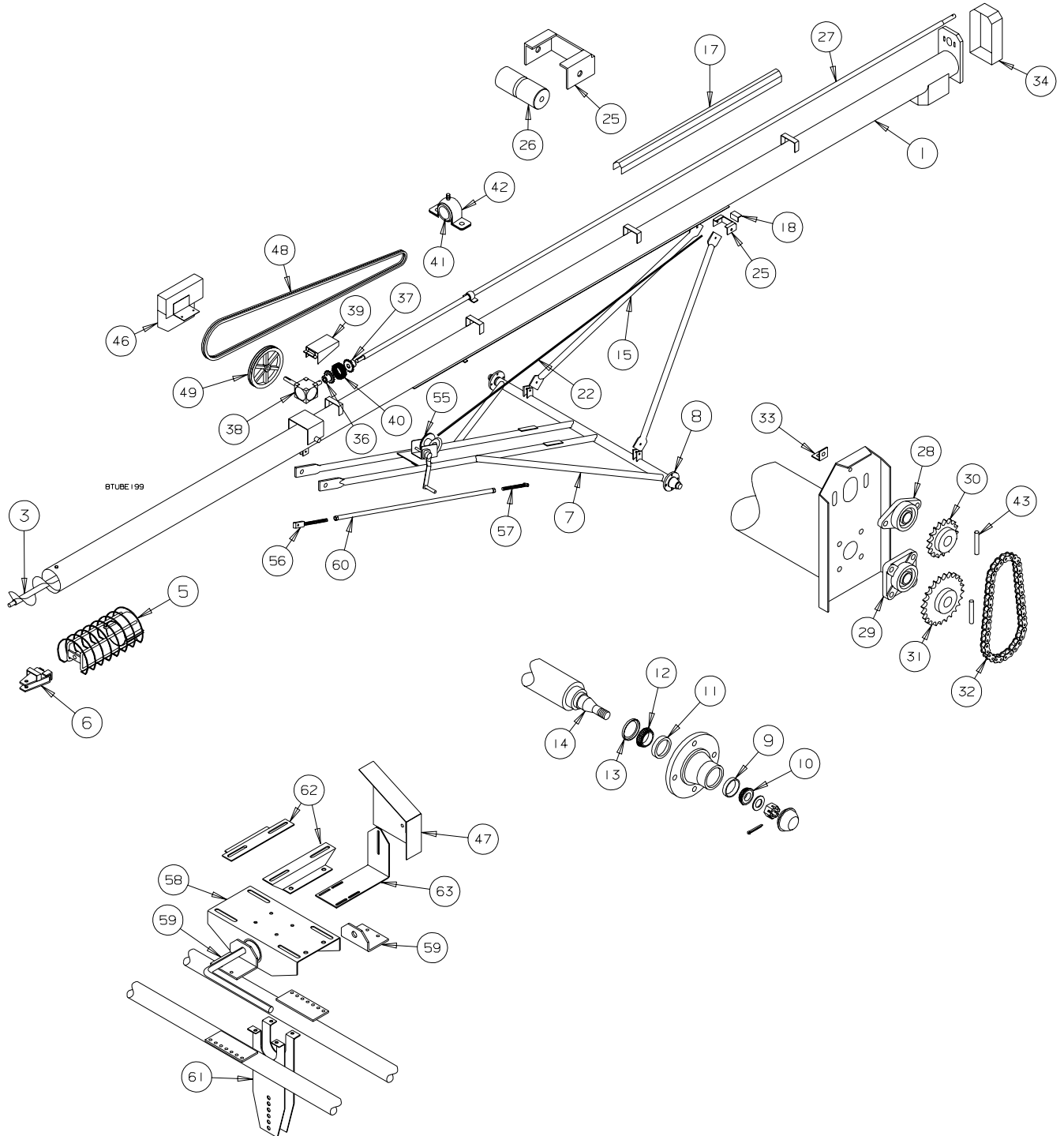
REF#	PART NO.	DESCRIPTION	
48	B018052	B210 BELT	35'
48	B018054	B235 BELT	40'
48	B018056	B255 BELT	45'
48	B018058	B290 BELT	50'
49	B018032	PULLEY 2B12.0" O.D.	ALL 7"
50	B018044	BELT IDLER PULLEY	45' & 50'
51	B671289G	BELT IDLER GUARD	45' & 50'
53	B891525	LONG BRACKET - SQUARE	45' & 50'
54	B891526	SHORT BRACKET - SQUARE	45' & 50'
55	B030100	BRAKE WINCH - 1000 LBS.	35'
55	B030200	BRAKE WINCH - 1500 LBS.	40', 45' & 50'
56	B695297	UPPER ADJUSTING ROD	ALL SIZES
57	B695296	LOWER ADJUSTING ROD	ALL SIZES
58	B695294	MOTORBASE	ALL SIZES
59	B695299	MOTOR BASE MOUNTING LUG	ALL SIZES
60	B795293	LEVELLING BAR	35'
60	B895749	LEVELLING BAR	40'
60	B895753	LEVELLING BAR	45'
60	B895754	LEVELLING BAR	50'
61	B695295	LEVELLING PLATE	ALL SIZES
62	B695298	MOTOR MOUNT	ALL SIZES
63	B696345	ENGINE GUARD MOUNT	ALL SIZES



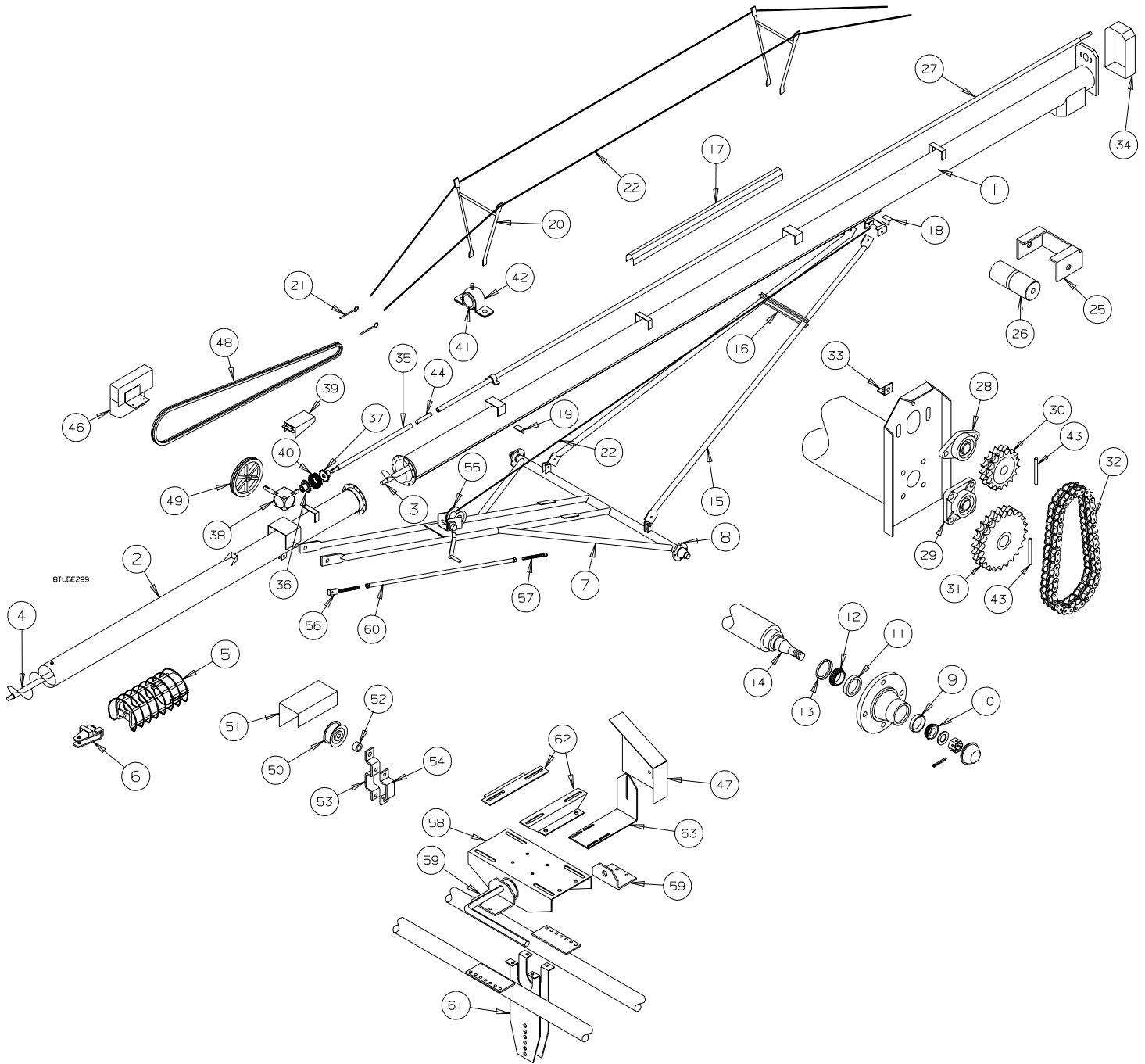
B003001 7" REDUCER GEARBOX - 1.5: 1 - COMPLETE

REF#	PART NO.	DESCRIPTION
1	B781347	GEARBOX HOUSING
2	B781348	OUTPUT SHAFT BEARING HOUSING
3	B781349	INPUT SHAFT BEARING HOUSING
4	B781350	INPUT GEAR - 16 TOOTH
5	B781351	OUTPUT GEAR - 24 TOOTH.
6	B781352	INNER TAPERED BEARING - COMPLETE
7	B781353	OUTER TAPERED BEARING - COMPLETE
8	B781354	RETAINER
9	B781355	SEAL
10	B781356	KEY
11	B781357B	PLASTIC SHIM - .005"
11	B781357N	PLASTIC SHIM - .0075"
11	B781357Y	PLASTIC SHIM - .010"
12	B781358	OUTPUT SHAFT
13	B781359	INPUT SHAFT
14	B781360	BREATHER PLUG
15	B781362	COVER LID
16	B781363	SPACER

8" X 35' STANDARD & 8" X 37' SC AUGER
SERIAL NOS. 87000 - 91999



8" X 40', 45' AND 50' STD. & 8" X 42', 47' AND 52' SC AUGERS
SERIAL NOS. 87000 - 91999

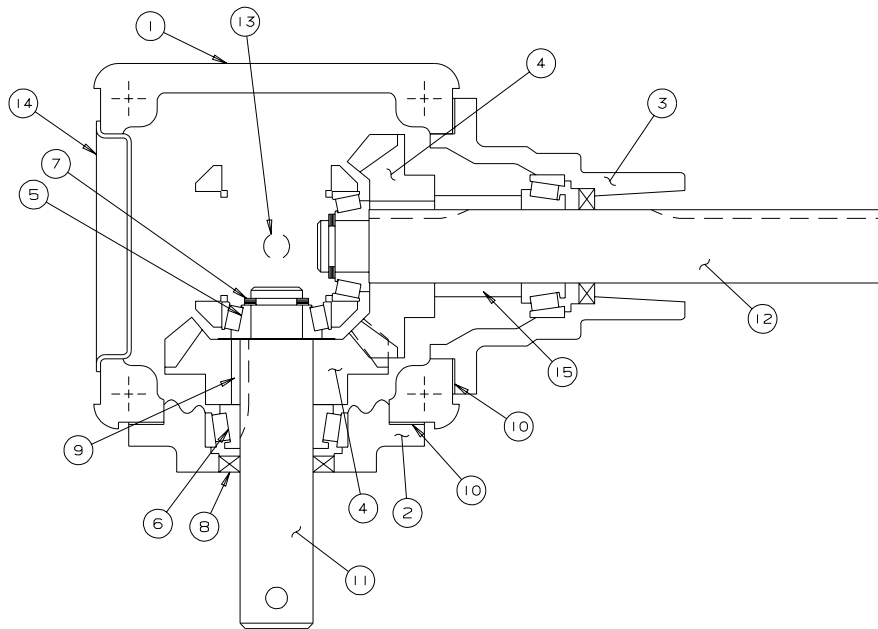


REF#	PART NO.	DESCRIPTION	
1	C802835	TUBE WELDMENT ONLY less INTAKE	35'
1	C802837	TUBE WELDMENT ONLY less INTAKE	37'
1	B899508	UPPER TUBE WELDMENT	40', 42'
1	B896500	UPPER TUBE WELDMENT	45', 47', 50', 52'
2	B899501	LOWER TUBE WELD less INTAKE	40'
2	B899504	LOWER TUBE WELD less INTAKE	42'
2	B896502	LOWER TUBE WELD less INTAKE	45'
2	B896505	LOWER TUBE WELD less INTAKE	47'
2	B896503	LOWER TUBE WELD less INTAKE	50'
2	B896506	LOWER TUBE WELD less INTAKE	52'
3	B887416	UPPER FLIGHT WELDMENT	ALL EX. 35', 37'
3	B892836	FLIGHT WELDMENT	35'
3	C802838	FLIGHT WELDMENT	37'
4	B891511	LOWER FLIGHT WELDMENT	40'
4	B891514	LOWER FLIGHT WELDMENT	42'
4	B891512	LOWER FLIGHT WELDMENT	45'
4	B891515	LOWER FLIGHT WELDMENT	47'
4	B891513	LOWER FLIGHT WELDMENT	50'
4	B890411	LOWER FLIGHT WELDMENT	52'
5	B891143	INTAKE ASSEMBLY c/w BUSHING	35', 40', 45', 50'
5	B890406	INTAKE ASSEMBLY c/w BUSHING	37', 42', 47', 52'
NS	B017610	INTAKE BUSHING	ALL SIZES
6	B890400	HITCHASSEMBLY	ALL SIZES
7	C802710	AXLE FRAME ASSEMBLY c/w HUBS	35', 37'
7	B899712	AXLE FRAME ASSEMBLY c/w HUBS	40', 42'
7	B898714	AXLE FRAME ASSEMBLY c/w HUBS	45', 47'
7	B898716	AXLE FRAME ASSEMBLY c/w HUBS	50', 52'
8	B011005	HUB COMPLETE - 4 BOLT	ALL SIZES
9	B011600	OUTER CUP - AUGER HUB	ALL SIZES
10	B011601	OUTER CONE - AUGER HUB	ALL SIZES
11	B011602	INNER CUP - AUGER HUB	ALL SIZES
12	B011603	INNER CONE - AUGER HUB	ALL SIZES
13	B011604	SEAL - 4 BOLT HUB	ALL SIZES
14	B011012	SPINDLE ONLY	ALL SIZES

REF#	PART NO.	DESCRIPTION	
15	B191602	A-FRAME ARM - 2 REQUIRED	35', 37'
15	B891518	A-FRAME ARM - 2 REQUIRED	40', 42'
15	B891519	A-FRAME ARM - 2 REQUIRED	45', 47', 50', 52'
16	B891524	A-FRAME CROSS BRACE - 2 REQUIRED	45', 47', 50', 52'
17	B887486	DRIVESHAFT GUARD x 10 5/8" LONG	AS REQ'D
17	B887485	DRIVESHAFT GUARD x 36 3/4" LONG	AS REQ'D
17	B887480	DRIVESHAFT GUARD x 60 1/2" LONG	AS REQ'D
17	B892839	DRIVESHAFT GUARD x 43" LONG	35', 37'
17	B191525	DRIVESHAFT GUARD x 41" LONG	40', 42'
18	B891521	TRANSPORT STOP	40',42',45',47'
18	B891522	TRANSPORT STOP	35',37',50',52'
19	B891521	MAXIMUM HEIGHT STOP	40',42',45',47'
19	B891522	MAXIMUM HEIGHT STOP	50',52'
20	B891510	TRUSS TOWER	45',47',50',52'
21	B002025	1/2" x 6 3/4" EYE BOLT (TRUSS)	45',47',50',52'
22	B008010	CABLE - 1/4" DIAMETER AIRCRAFT	AS REQ'D
NS	B008070	1/4" CABLE CLAMP	AS REQ'D
NS	B008071	1/4" CABLE THIMBLE	AS REQ'D
25	B891520	SLIDE	ALL SIZES
26	B891523	SLIDE ROLLER	ALL SIZES
27	B887410	UPPER DRIVESHAFT WELDMENT	45',47',50',52'
27	B899507	DRIVESHAFT WELDMENT	40', 42'
27	B691401	DRIVESHAFT WELDMENT	35', 37'
28	B017200	1 1/4" - 2 BOLT FLANGE BEARING	ALL EX. 35', 37'
28	B017050	1" - 2 BOLT FLANGE BEARING	35', 37'
29	B017090	1 1/4" - 4 BOLT FLANGE BEARING	ALL SIZES
30	B009040	UPPER SPROCKET 60-2 x 17	ALL EX. 35', 37'
30	B009009	UPPER SPROCKET 60-17	35', 37'
31	B009041	LOWER SPROCKET 60-2 x 30	ALL EX. 35', 37'
31	B009012	LOWER SPROCKET 60-30	35', 37'
32	B009594	DRIVE CHAIN - R60-2 x 44 PITCH	ALL EX. 35', 37'
32	B009015	DRIVE CHAIN - R60 x 44 PITCH	35', 37'

REF#	PART NO.	DESCRIPTION	
33	B191532	DRIVESHAFT GUARD HOLD DOWN	35', 37'
34	B027050	8" CHAIN GUARD	ALL SIZES
35	B891508	LOWER DRIVESHAFT WELDMENT	45',47'
35	B891509	LOWER DRIVESHAFT WELDMENT	50',52'
36	C808401	CHAIN COUPLING - INNER	ALL SIZES
37	C808420	CHAIN COUPLING - OUTER	ALL SIZES
38	B003005	GEARBOX 1:1	ALL SIZES
39	B887471	COUPLING GUARD	ALL SIZES
40	B0096018	R50-2 x 17 PITCH ROLLER CHAIN	ALL SIZES
41	B017045	DRIVESHAFT BEARING - ONE PIECE	ALL SIZES
41	B017046	DRIVESHAFT BEARING - SPLIT	ALL SIZES
42	B887477	DRIVESHAFT BEARING HOUSING	ALL SIZES
43	B002060	ROLL PIN - 5/16" x 2 1/2"	ALL SIZES
44	B890467	DRIVELINE COUPLING SHAFT	45', 47', 50', 52'
NS	B001015	GEARBOX SHEAR BOLT - 5/16"x 2 1/2" GR 5	ALL SIZES
46	B697342	GEARBOX PULLEY GUARD	35', 40', 45', 50'
46	B891489	GEARBOX PULLEY GUARD	37', 42', 47', 52'
47	B696344	ENGINE PULLEY GUARD - GAS DRIVE	ALL SIZES
48	B018052	B210 BELT - 2 REQUIRED	35', 37'
48	B018054	B235 BELT - 2 REQUIRED	40', 42'
48	B018056	B255 BELT - 2 REQUIRED	45', 47'
48	B018058	B290 BELT - 2 REQUIRED	50', 52'
49	B018032	PULLEY 2B 12.0" O.D.	35', 40', 45', 50'
49	B018120	PULLEY 2B 15.35" O.D.	37', 42', 47', 52'
50	B018044	BELT IDLER PULLEY	ALL EX. 35', 37'
51	B671289G	BELT IDLER GUARD	ALL EX. 35', 37'
52	B188316	BELT IDLER SPACER	ALL EX. 35', 37'
53	B891525	LONG BRACKET - SQUARE	ALL EX. 35', 37'
54	B891526	SHORT BRACKET - SQUARE	ALL EX. 35', 37'

REF#	PART NO.	DESCRIPTION	
55	B030200	BRAKE WINCH - 1500 LB.	ALL SIZES
56	B695297	UPPER ADJUSTING ROD	ALL SIZES
57	B695296	LOWER ADJUSTING ROD	ALL SIZES
58	B695294	MOTORBASE	ALL SIZES
59	B695299	MOTORBASE MOUNTING LUG	ALL SIZES
60	B795293	LEVELLING BAR	35', 37'
60	B895749	LEVELLING BAR	40', 42'
60	B895753	LEVELLING BAR	45', 47'
60	B895754	LEVELLING BAR	50', 52'
61	B695295	LEVELLING PLATE	ALL SIZES
62	B695298	MOTOR MOUNT	ALL SIZES
63	B696345	ENGINE GUARD MOUNT	ALL SIZES

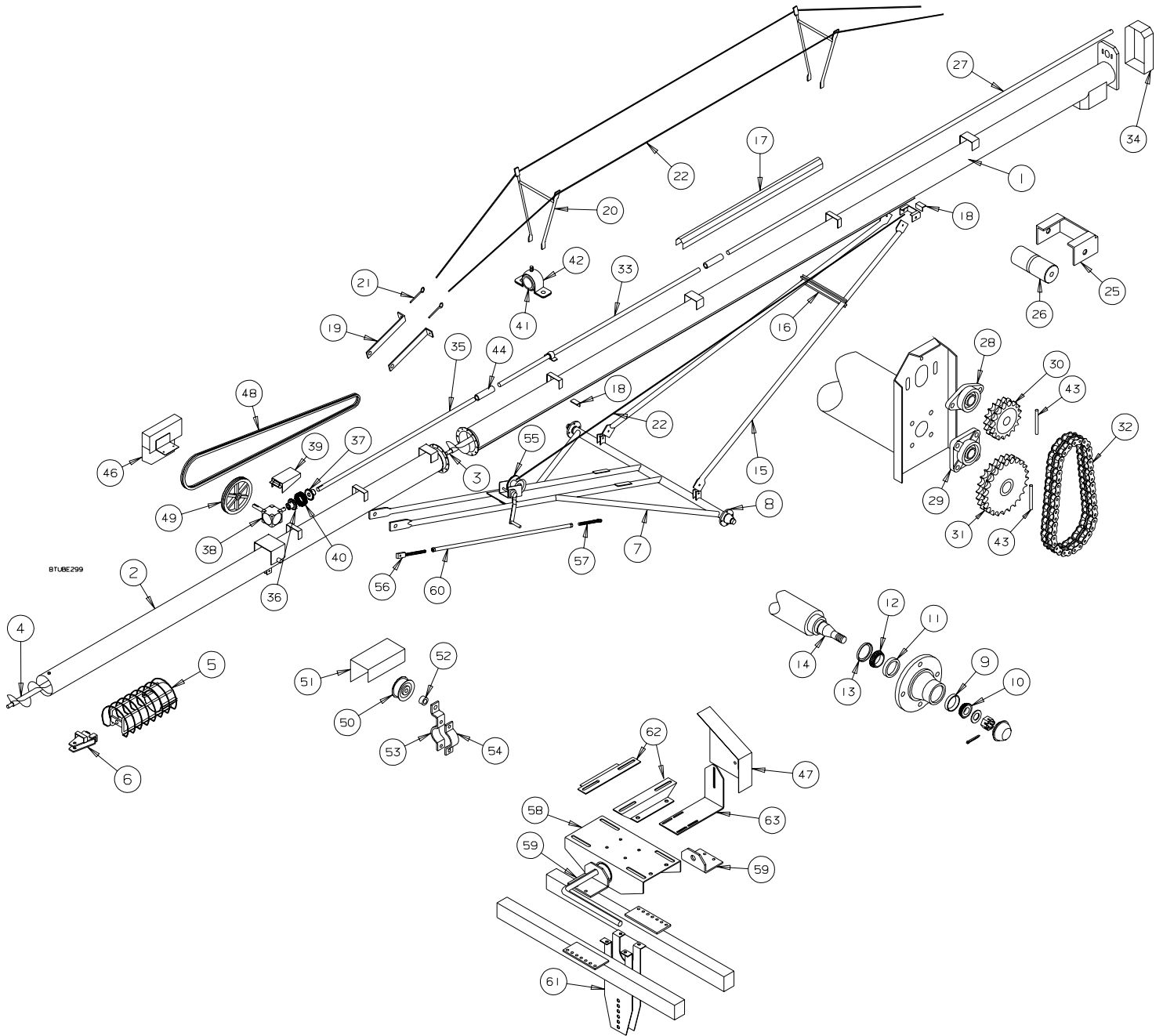


B003005 8" x 35', 37', 40', 42', 45', 47', 50' & 52' GEARBOX - 1: 1 - COMPLETE

REF#	PART NO.	DESCRIPTION
1	B781347	GEARBOX HOUSING
2	B781348	OUTPUT SHAFT BEARING HOUSING
3	B887603	INPUT SHAFT BEARING HOUSING
4	B781346	INPUT GEAR - 19 TOOTH
5	B781352	INNER TAPERED BEARING - COMPLETE
6	B781353	OUTER TAPERED BEARING - COMPLETE
7	B781354	RETAINER
8	B781355	SEAL
9	B781356	KEY
10	B781357B	PLASTIC SHIM - .005"
10	B781357N	PLASTIC SHIM - .0075"
10	B781357Y	PLASTIC SHIM - .010"
11	B781358	OUTPUT SHAFT
12	B887605	INPUT SHAFT
13	B781360	BREATHER PLUG
14	B781362	COVER LID
15	B887602	SPACER

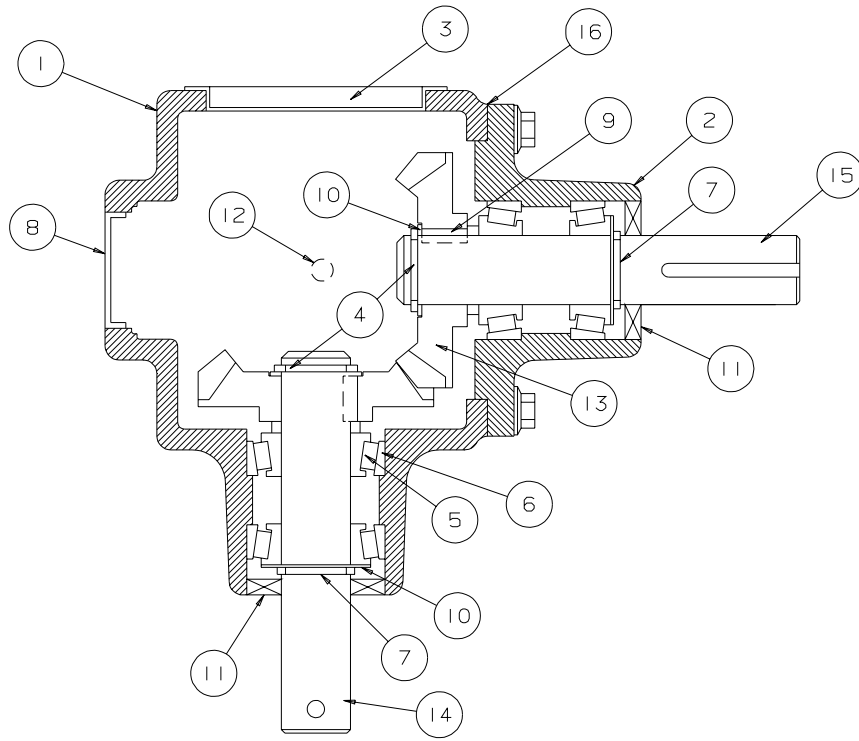
This page is blank

8" X 55' BELT DRIVE STANDARD AUGER
SERIAL NOS. 87000 - 91999



REF#	PART NO.	DESCRIPTION	
1	B898561	UPPER TUBE WELDMENT	
2	B898566	LOWER TUBE WELD less INTAKE	
3	B887416	UPPER FLIGHT WELDMENT	
4	B898567	LOWER FLIGHT WELDMENT	
5	B891143	INTAKE ASSEMBLY c/w BUSHING	
NS	B017610	INTAKE BUSHING	
6	B890400	HITCHASSEMBLY	
7	B898576	AXLE FRAME ASSEMBLY c/w HUBS	
8	B011005	HUB COMPLETE - 4 BOLT	
9	B011600	OUTER CUP - AUGER HUB	
10	B011601	OUTER CONE - AUGER HUB	
11	B011602	INNER CUP - AUGER HUB	
12	B011603	INNER CONE - AUGER HUB	
13	B011604	SEAL - 4 BOLT HUB	
14	B011012	SPINDLE ONLY	
15	B898573	A-FRAME ARM - 2 REQUIRED	
16	B898575	A-FRAME CROSS BRACE - 2 REQUIRED	
17	B898580	DRIVESHAFT GUARD x 44 1/4" LONG	
17	B887480	DRIVESHAFT GUARD x 60 1/2" LONG	AS REQ'D
18	B891521	TRANSPORT STOP	
19	B794445	LOWER TRUSS ARM	
20	B898578	TRUSS TOWER	
21	B002025	1/2" x 6 3/4" EYE BOLT (TRUSS)	
22	B008010	CABLE - 1/4" DIAMETER AIRCRAFT	AS REQ'D
NS	B008070	1/4" CABLE CLAMP	AS REQ'D
NS	B008071	1/4" CABLE THIMBLE	AS REQ'D
25	B891520	SLIDE	
26	B891523	SLIDE ROLLER	
27	B898568	UPPER SOLID DRIVESHAFT	
28	B017200	1 1/4" - 2 BOLT FLANGE BEARING	
29	B017090	1 1/4" - 4 BOLT FLANGE BEARING	
30	B009040	UPPER SPROCKET 60-2 x 17	
31	B009041	LOWER SPROCKET 60-2 x 30	
32	B009594	DRIVE CHAIN - R60-2 x 44 PITCH	
33	B898569	CENTRE SOLID DRIVESHAFT	

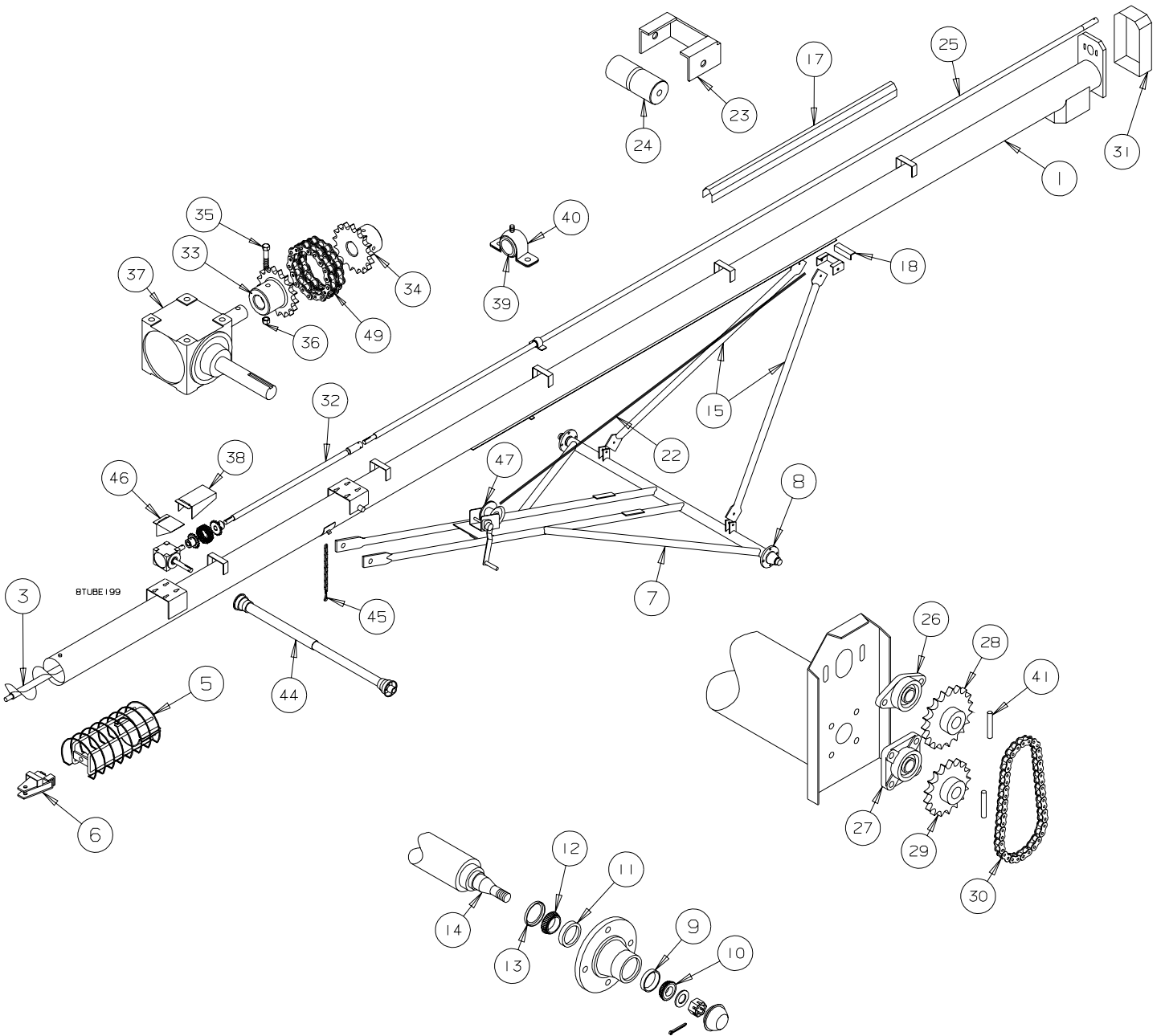
REF#	PART NO.	DESCRIPTION
34	B027050	8" CHAIN GUARD
35	B898570	LOWER SOLID DRIVESHAFT
36	C808584	CHAIN COUPLING - INNER - 1 1/4" BORE
37	C808562	CHAIN COUPLING - OUTER - 1 1/4" BORE
38	B003011A	GEARBOX - LARGE - 1:1 - 1 1/4" SHAFTS
39	B887472	LARGE COUPLING GUARD
40	B0096018	R50-2 x 17 PITCH ROLLER CHAIN
41	B017045	DRIVESHAFT BEARING - ONE PIECE
41	B017046	DRIVESHAFT BEARING - SPLIT
42	B887477	DRIVESHAFT BEARING HOUSING
43	B002060	ROLL PIN - 5/16" x 2 1/2"
44	B898571	DRIVELINE CONNECTOR
NS	B001015	GEARBOX SHEAR BOLT - 5/16"x 2 1/2" GR 5
46	B898582	GEARBOX PULLEY GUARD
47	B696344	ENGINE PULLEY GUARD - GAS DRIVE
48	B018060	B318 BELT - 2 REQUIRED
49	B018121	PULLEY - 2B 15.35" O.D.- 1 1/4" BORE
50	B018044	BELT IDLER PULLEY
51	B671289G	BELT IDLER GUARD
52	B188316	BELT IDLER SPACER
53	B891525	LONG BRACKET - SQUARE
54	B891526	SHORT BRACKET - SQUARE
55	B030200	BRAKE WINCH - 1500 LB.
56	B695297	UPPER ADJUSTING ROD
57	B695296	LOWER ADJUSTING ROD
58	B695294	MOTORBASE
59	B695299	MOTORBASE MOUNTING LUG
60	B898574	LEVELLING BAR
61	B695295	LEVELLING PLATE
62	B695298	MOTOR MOUNT
63	B696345	ENGINE GUARD MOUNT



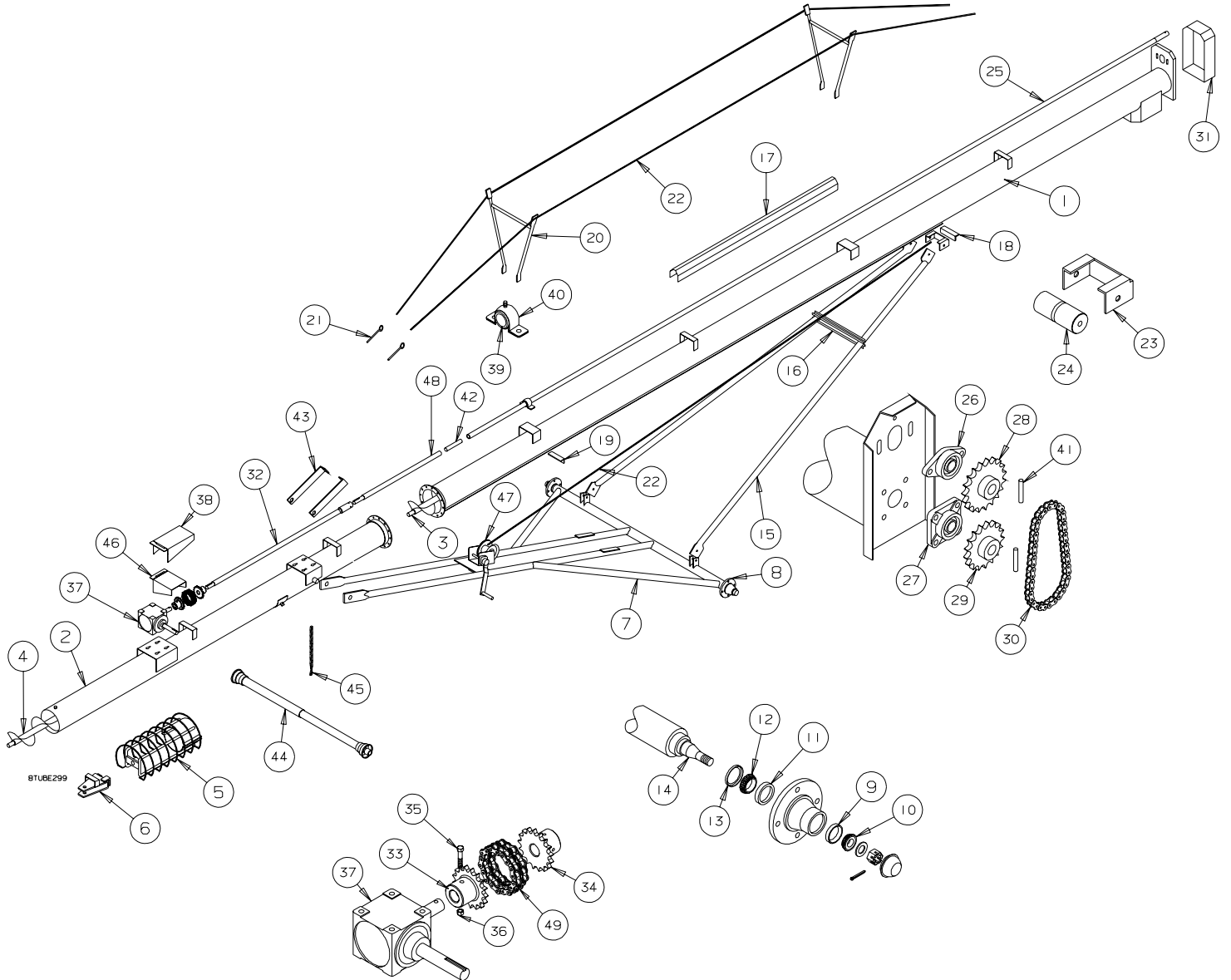
B003011A 8" x 55' GEARBOX - 1: 1 - 1 1/4" SHAFTS - COMPLETE

REF#	PART NO.	DESCRIPTION
1	B882239	GEARBOX HOUSING
2	B882223	INPUT SHAFT BEARING HOUSING
3	B781362	COVER LID
4	B882225A	SNAP RING
5	B011603	BEARING CONE - LM67048
6	B011602	BEARING CUP - LM67010
7	B882225	BEARING RETAINER SNAP RING
8	B882231	BEARING CAP PLUG
9	B882229	KEY
10	B882237	SPACER
11	B882230	SEAL
12	B882240	PIPE PLUG - 3/8" NPT
12	B882241	VENT - 3/8" NPT
13	B181632	BEVEL GEAR - 17 TOOTH
14	B191271	OUTPUT SHAFT - 1 1/4" DIA
15	B191270	INPUT SHAFT - 1 1/4" DIA
16	B882235B	SHIM - .005" - BLUE
16	B882235N	SHIM - .0075" - NATURAL
16	B882235Y	SHIM - .010" - YELLOW

8" X 35' DIRECT DRIVE STANDARD AUGER
SERIAL NOS. 87000 - 91999



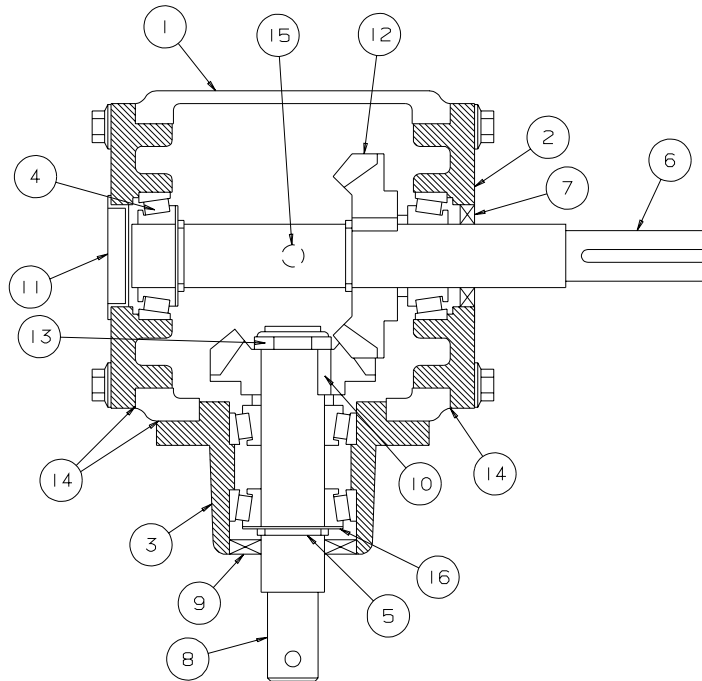
8" X 42', 47' & 52' DIRECT DRIVE SC AUGER
SERIAL NOS. 87000 - 91999



REF#	PART NO.	DESCRIPTION	
1	B896500	UPPER TUBE WELDMENT	47', 52'
1	C800508P	UPPER TUBE WELDMENT	42'
1	C802835P	TUBE WELDMENT ONLY less INTAKE	35'
2	C800504P	LOWER TUBE WELD less INTAKE	42'
2	B899505P	LOWER TUBE WELD less INTAKE	47'
2	B899506P	LOWER TUBE WELD less INTAKE	52'
3	B887416	UPPER FLIGHT WELDMENT	ALL EX. 35'
3	B892836	FLIGHT WELDMENT	35'
4	B891514	LOWER FLIGHT WELDMENT	42'
4	B891515	LOWER FLIGHT WELDMENT	47'
4	B890411	LOWER FLIGHT WELDMENT	52'
5	B891143	INTAKE ASSEMBLY c/w BUSHING	35'
5	B890406	INTAKE ASSEMBLY c/w BUSHING	42', 47', 52'
NS	B017610	INTAKE BUSHING	ALL SIZES
6	B890400	HITCH ASSEMBLY	ALL SIZES
7	C802710	AXLE FRAME ASSEMBLY c/w HUBS	35'
7	B899712	AXLE FRAME ASSEMBLY c/w HUBS	42'
7	B898714	AXLE FRAME ASSEMBLY c/w HUBS	47'
7	B898716	AXLE FRAME ASSEMBLY c/w HUBS	52'
8	B011005	HUB COMPLETE - 4 BOLT	ALL SIZES
9	B011600	OUTER CUP - AUGER HUB	ALL SIZES
10	B011601	OUTER CONE - AUGER HUB	ALL SIZES
11	B011602	INNER CUP - AUGER HUB	ALL SIZES
12	B011603	INNER CONE - AUGER HUB	ALL SIZES
13	B011604	SEAL - 4 BOLT HUB	ALL SIZES
14	B011012	SPINDLE ONLY	ALL SIZES
15	B191602	A-FRAME ARM - 2 REQUIRED	35'
15	B891518	A-FRAME ARM - 2 REQUIRED	42'
15	B891519	A-FRAME ARM - 2 REQUIRED	47', 52'
16	B891524	A-FRAME CROSS BRACE - 2 REQUIRED	47', 52'
17	B887480	DRIVESHAFT GUARD x 61" LONG	AS REQ'D
17	B899548P	DRIVESHAFT GUARD x 28 1/2" LONG	47'
17	B899549P	DRIVESHAFT GUARD x 33" LONG	47'
17	B899550P	DRIVESHAFT GUARD x 40 3/16" LONG	35'
17	B899552P	DRIVESHAFT GUARD x 54 1/4" LONG	42'
17	B899553P	DRIVESHAFT GUARD x 55" LONG	52'
17	B899554P	DRIVESHAFT GUARD x 67" LONG	52'
17	C800559P	DRIVESHAFT GUARD x 26 1/8" LONG	42'
17	C800560P	DRIVESHAFT GUARD x 35 1/8" LONG	42'

REF#	PART NO.	DESCRIPTION	
18	B891521	TRANSPORT STOP	42', 47'
18	B891522	TRANSPORT STOP	35', 52'
19	B891521	MAXIMUM HEIGHT STOP	42', 47'
19	B891522	MAXIMUM HEIGHT STOP	52'
20	B891510	TRUSS TOWER	47', 52'
21	B002025	1/2" x 6 3/4" EYE BOLT (TRUSS)	47', 52'
22	B008010	CABLE - 1/4" DIAMETER AIRCRAFT	AS REQ'D
NS	B008070	1/4" CABLE CLAMP	AS REQ'D
NS	B008071	1/4" CABLE THIMBLE	AS REQ'D
23	B891520	SLIDE	ALL SIZES
24	B891523	SLIDE ROLLER	ALL SIZES
25	B887410	UPPER DRIVESHAFT WELDMENT	47', 52'
25	C800544P	UPPER DRIVESHAFT WELDMENT	42'
25	B899547P	UPPER DRIVESHAFT WELDMENT	35'
26	B017200	1 1/4" - 2 BOLT FLANGE BEARING	ALL SIZES
27	B017090	1 1/4" - 4 BOLT FLANGE BEARING	ALL SIZES
28	B009401	UPPER SPROCKET 80-19 - 1 1/4" BORE	ALL SIZES
29	B009018	LOWER SPROCKET 80-17 - 1 1/4" BORE	ALL SIZES
30	B009022	DRIVE CHAIN - R80 x 33 PITCH	ALL SIZES
31	B027050	8" CHAIN GUARD	ALL SIZES
32	B899540P	LOWER DRIVESHAFT WELDMENT	35'
32	C800541P	LOWER DRIVESHAFT WELDMENT	42'
32	B889542P	LOWER DRIVESHAFT WELDMENT	47'
32	B889543P	LOWER DRIVESHAFT WELDMENT	52'
33	C808401	CHAIN COUPLING - INNER	ALL SIZES
34	C808420	CHAIN COUPLING - OUTER	ALL SIZES
35	B001015	SHEAR BOLT - 5/16"x 2 1/2" BOLT - GR.5	ALL SIZES
36	B001127	5/16" LOCK NUT	ALL SIZES
37	B003010	GEARBOX - LARGE 1:1 - 1" SHAFTS	ALL SIZES
38	B887472	LARGE COUPLING GUARD	ALL SIZES
39	B017045	DRIVESHAFT BEARING - ONE PIECE	ALL SIZES
39	B017046	DRIVESHAFT BEARING - SPLIT	ALL SIZES
40	B887477	DRIVESHAFT BEARING HOUSING	ALL SIZES
41	B002060	ROLL PIN - 5/16" x 2 1/2"	ALL SIZES

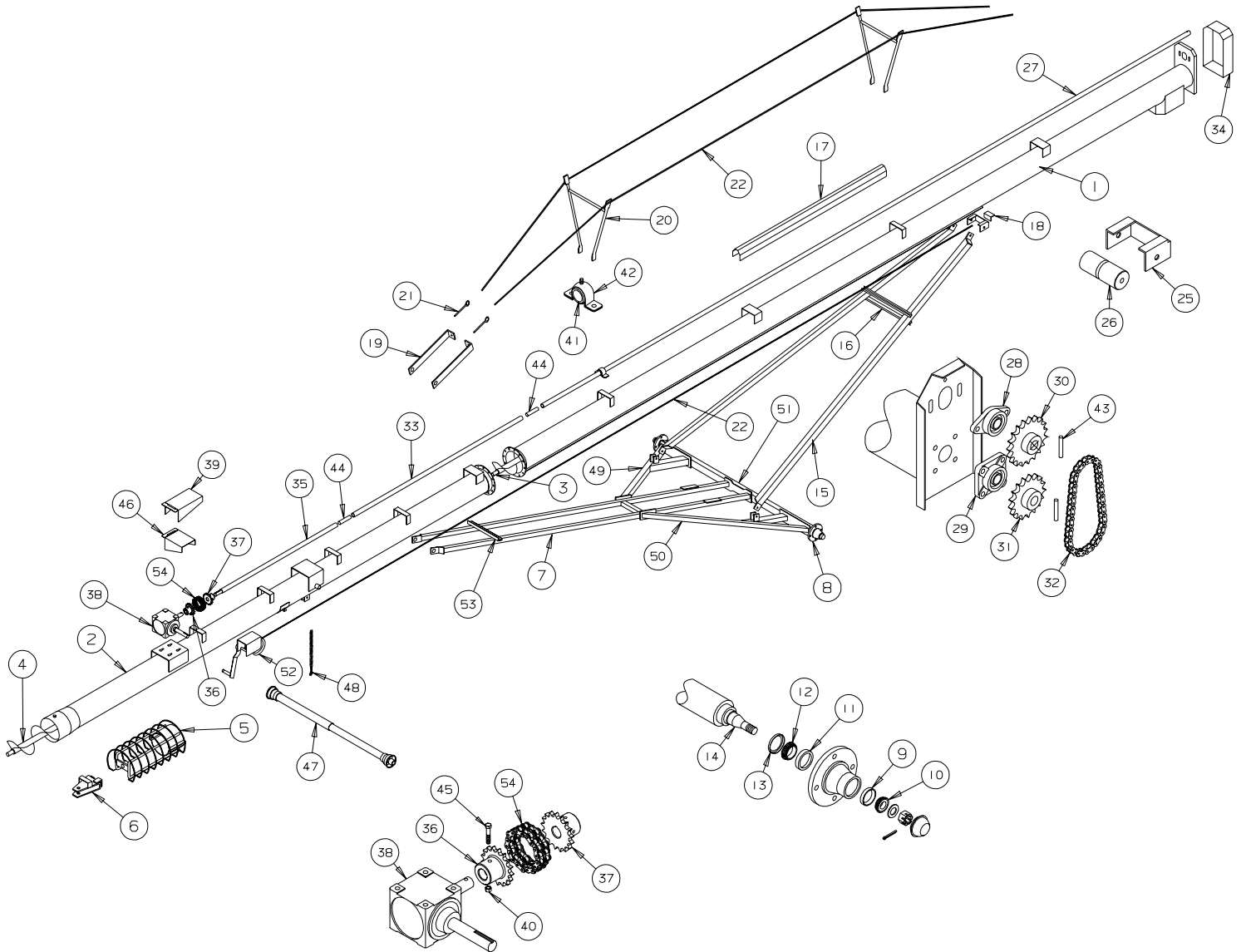
REF#	PART NO.	DESCRIPTION	
42	B890467	DRIVELINE COUPLING SHAFT	47', 52'
43	B794445	LOWER TRUSS ARM	47', 52'
44	B003030	PTO SHAFT - 1" YOKE - 540 RPM- 84" EXT.	ALL SIZES
45	B180555	PTO SHAFT TRANSPORT CHAIN	ALL SIZES
46	B878300	PTO SHAFT GUARD	ALL SIZES
47	B030200	BRAKE WINCH - 1500 LB.	ALL SIZES
48	B899545P	CENTRE DRIVESHAFT	47'
48	B899546P	CENTRE DRIVESHAFT	52'
49	B0096018	R50-2 x 17 PITCH ROLLER CHAIN	ALL SIZES



B003010 8" x 35', 42', 47' & 52' DIRECT DRIVE GEARBOX - 1: 1 - COMPLETE

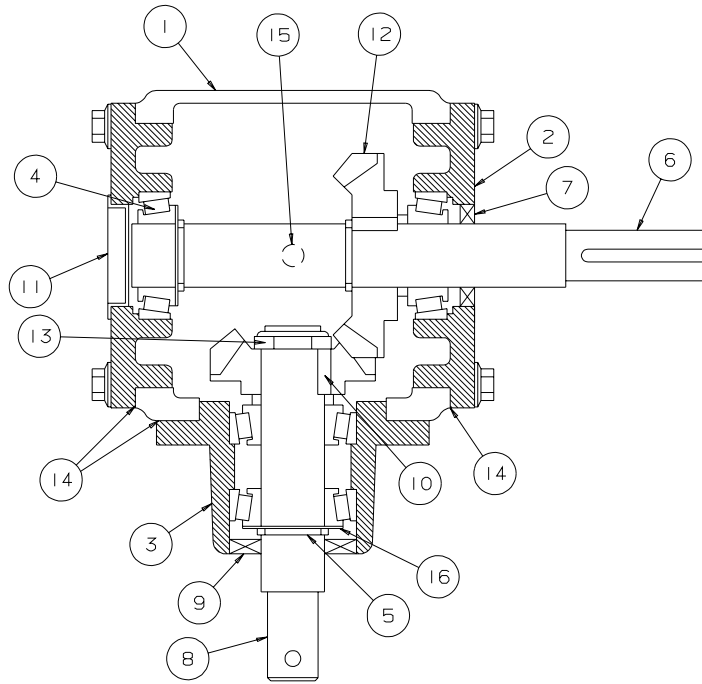
REF#	PART NO.	DESCRIPTION
1	B882221	GEARBOX HOUSING
2	B882222	INPUT SHAFT BEARING HOUSING
3	B882223	OUTPUT SHAFT BEARING HOUSING
4	B011602	BEARING CUP - LM67010
4	B011603	BEARING CONE - LM67048
5	B882225	BEARING RETAINER SNAP RING - 3 REQUIRED
6	B882226	INPUT SHAFT
7	B882228	SEAL - INPUT SHAFT
8	B882227	OUTPUT SHAFT
9	B882230	SEAL - OUTPUT SHAFT
10	B882229	KEY - 2 REQUIRED
11	B882231	BEARING CAP PLUG
12	B882232	BEVEL GEAR - 23 TOOTH
13	B882233	NUT - STAKE
14	B882235B	SHIM - .005" - BLUE
14	B882235N	SHIM - .0075" - NATURAL
14	B882235Y	SHIM - .010" - YELLOW
15	B781360	BREATHER
16	B882237	SPACER - 4 REQUIRED

8" X 57' & 62' DIRECT DRIVE SC AUGER
SERIAL NOS. 87000 - 91999



REF#	PART NO.	DESCRIPTION	
1	B896500	UPPER TUBE WELDMENT	57', 62'
2	C802740	LOWER TUBE WELD less INTAKE	57'
2	C802741	LOWER TUBE WELD less INTAKE	62'
3	B887416	UPPER FLIGHT WELDMENT	57', 62'
4	C802746	LOWER FLIGHT WELDMENT	57'
4	B890412	LOWER FLIGHT WELDMENT	62'
5	B890406	INTAKE ASSEMBLY c/w BUSHING	57', 62'
NS	B017610	INTAKE BUSHING	57', 62'
6	B890400	HITCHASSEMBLY	57', 62'
7	C802722	AXLE FRAME WELDMENT	57'
7	C802723	AXLE FRAME WELDMENT	62'
8	B011005	HUB COMPLETE - 4 BOLT	ALL SIZES
9	B011600	OUTER CUP - AUGER HUB	ALL SIZES
10	B011601	OUTER CONE - AUGER HUB	ALL SIZES
11	B011602	INNER CUP - AUGER HUB	ALL SIZES
12	B011603	INNER CONE - AUGER HUB	ALL SIZES
13	B011604	SEAL - 4 BOLT HUB	ALL SIZES
14	B011012	SPINDLE ONLY	ALL SIZES
15	C802726	A-FRAME ARM - 2 REQUIRED	57'
15	C802727	A-FRAME ARM - 2 REQUIRED	62'
16	B898575	A-FRAME CROSS BRACE - 2 REQUIRED	57', 62'
17	B887480	DRIVESHAFT GUARD x 61" LONG	AS REQ'D
17	B892839	DRIVESHAFT GUARD x 43" LONG	57'
17	B898580	DRIVESHAFT GUARD x 44 1/4" LONG	57'
17	C802752	DRIVESHAFT GUARD x 35 3/8" LONG	57'
17	C802753	DRIVESHAFT GUARD x 32" LONG	62'
17	C802754	DRIVESHAFT GUARD x 29" LONG	62'
18	B891521	TRANSPORT STOP	57', 62'
19	B794445	LOWER TRUSS ARM	57', 62'
20	B898578	TRUSS TOWER	57', 62'
21	B002025	1/2" x 6 3/4" EYE BOLT (TRUSS)	47', 52'
22	B008010	CABLE - 1/4" DIAMETER AIRCRAFT	AS REQ'D
NS	B008070	1/4" CABLE CLAMP	AS REQ'D
NS	B008071	1/4" CABLE THIMBLE	AS REQ'D
25	B891520	SLIDE	ALL SIZES
26	B891523	SLIDE ROLLER	ALL SIZES
27	B887410	UPPER DRIVESHAFT WELDMENT	57', 62'

REF#	PART NO.	DESCRIPTION	
28	B017200	1 1/4" - 2 BOLT FLANGE BEARING	ALL SIZES
29	B017090	1 1/4" - 4 BOLT FLANGE BEARING	ALL SIZES
30	B009401	UPPER SPROCKET 80-19 - 1 1/4" BORE	ALL SIZES
31	B009018	LOWER SPROCKET 80-17 - 1 1/4" BORE	ALL SIZES
32	B009022	DRIVE CHAIN - R80 x 33 PITCH	ALL SIZES
33	C802744	CENTRE DRIVESHAFT	57'
33	C802745	CENTRE DRIVESHAFT	62'
34	B027050	8" CHAIN GUARD	ALL SIZES
35	C802742	LOWER DRIVESHAFT WELDMENT	57'
35	C802743	LOWER DRIVESHAFT WELDMENT	62'
36	C808401	CAST COUPLING - INNER	ALL SIZES
37	C808420	CAST COUPLING - OUTER	ALL SIZES
38	B003010	GEARBOX - LARGE 1:1 - 1" SHAFTS	ALL SIZES
39	B887472	LARGE COUPLING GUARD	ALL SIZES
40	B001127	5/16" LOCK NUT	ALL SIZES
41	B017045	DRIVESHAFT BEARING - ONE PIECE	ALL SIZES
41	B017046	DRIVESHAFT BEARING - SPLIT	ALL SIZES
42	B887477	DRIVESHAFT BEARING HOUSING	ALL SIZES
43	B002060	ROLL PIN - 5/16" x 2 1/2"	ALL SIZES
44	B890467	DRIVELINE COUPLING SHAFT	ALL SIZES
45	B001015	SHEAR BOLT - 5/16"x 2 1/2" BOLT - GR.5	ALL SIZES
46	B878300	PTO SHAFT GUARD	ALL SIZES
47	B003030	PTO SHAFT - 1" YOKE - 540 RPM- 84" EXT.	ALL SIZES
48	B180555	PTO SHAFT TRANSPORT CHAIN	ALL SIZES
49	C802724	SUPPORT BRACE- LEFT	ALL SIZES
50	C802725	SUPPORT BRACE- RIGHT	ALL SIZES
51	C802721	SQUARE AXLE WELD- 10'	ALL SIZES
52	B030200	BRAKE WINCH - 1500 LB.	ALL SIZES
53	B298432	TRANSPORT CHANNEL	ALL SIZES
54	B0096018	R50-2 x 17 PITCH ROLLER CHAIN	ALL SIZES



B003010 8" x 57' & 62' DIRECT DRIVE GEARBOX - 1: 1 - COMPLETE

REF#	PART NO.	DESCRIPTION
1	B882221	GEARBOX HOUSING
2	B882222	INPUT SHAFT BEARING HOUSING
3	B882223	OUTPUT SHAFT BEARING HOUSING
4	B011602	BEARING CUP - LM67010
4	B011603	BEARING CONE - LM67048
5	B882225	BEARING RETAINER SNAP RING - 3 REQUIRED
6	B882226	INPUT SHAFT
7	B882228	SEAL - INPUT SHAFT
8	B882227	OUTPUT SHAFT
9	B882230	SEAL - OUTPUT SHAFT
10	B882229	KEY - 2 REQUIRED
11	B882231	BEARING CAP PLUG
12	B882232	BEVEL GEAR - 23 TOOTH
13	B882233	NUT - STAKE
14	B882235B	SHIM - .005" - BLUE
14	B882235N	SHIM - .0075" - NATURAL
14	B882235Y	SHIM - .010" - YELLOW
15	B781360	BREATHER
16	B882237	SPACER - 4 REQUIRED