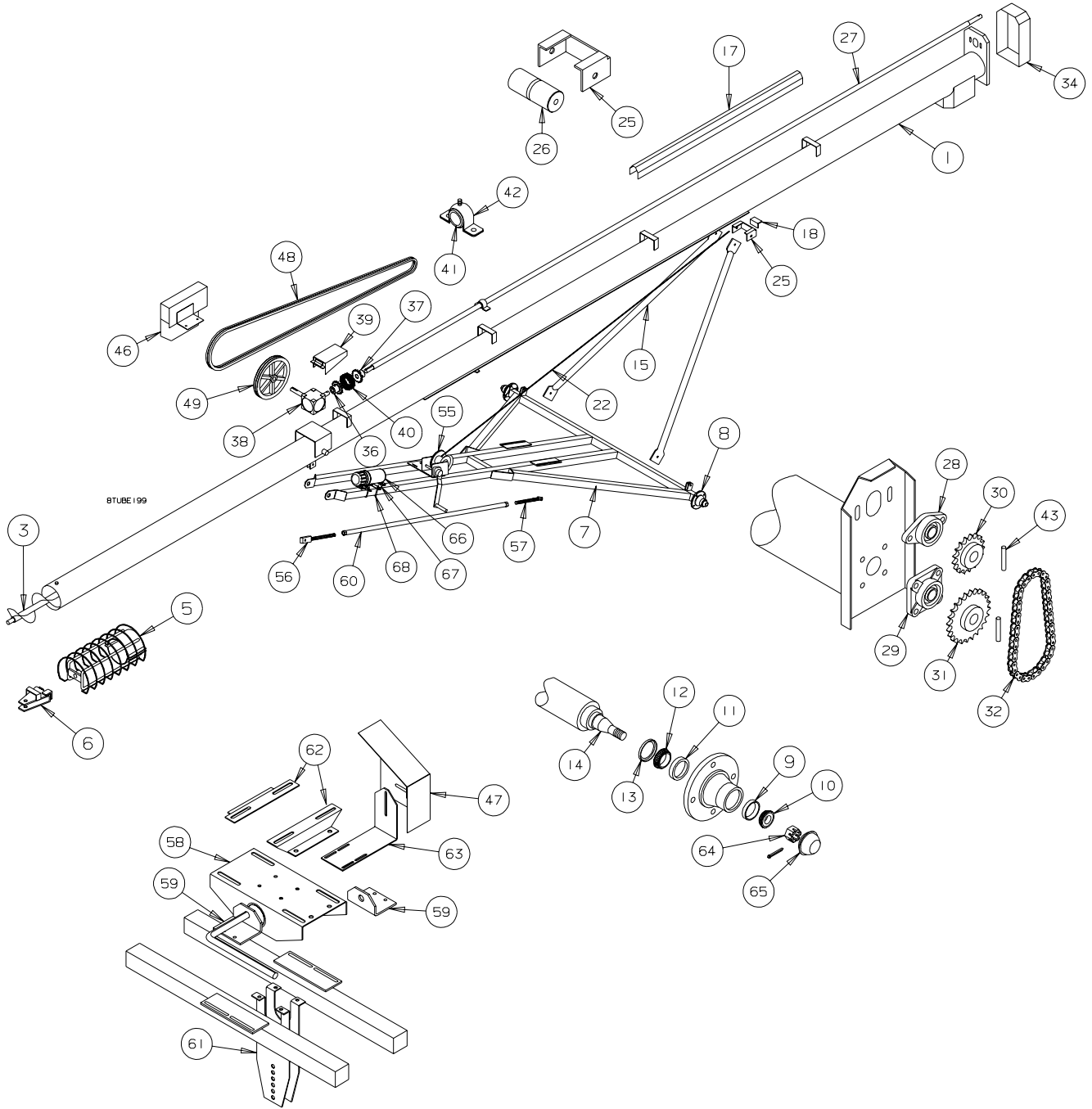


***8" STANDARD and
SUPERCHARGED AUGERS***

PARTS LISTS

SERIAL NOS. 100500 - 116499

8" X 35' STANDARD & 8" X 37' SC AUGER
SERIAL NOS. 100500 - 116499

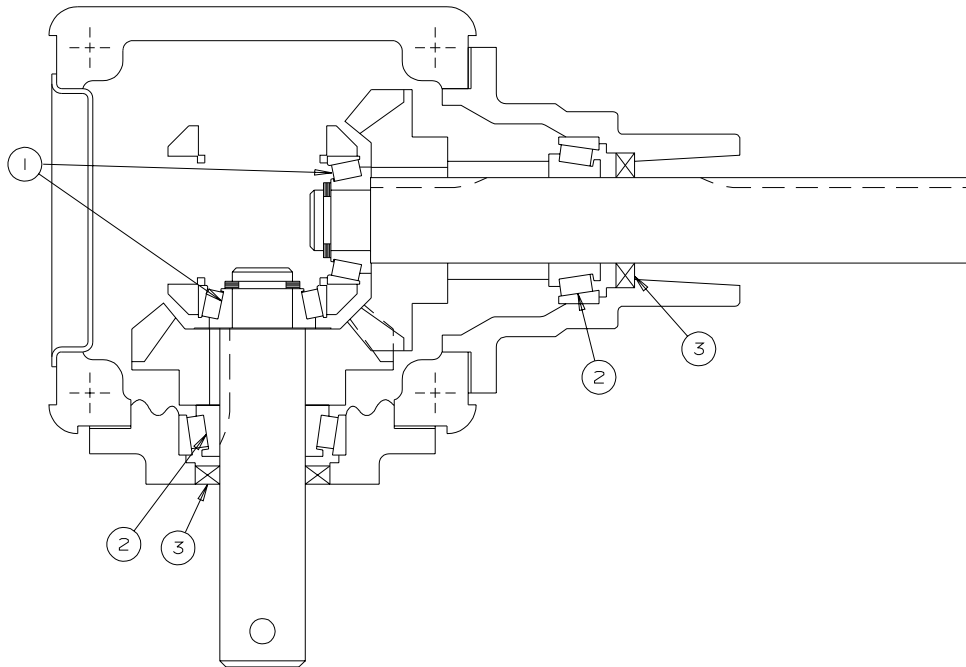


REF#	PART NO.	DESCRIPTION	
1	C802835	TUBE WELDMENT ONLY less INTAKE	35'
1	C802837	TUBE WELDMENT ONLY less INTAKE	37'
1	B899508	UPPER TUBE WELDMENT	40', 42'
1	B896500	UPPER TUBE WELDMENT	45', 47', 50', 52'
2	B899501	LOWER TUBE WELD less INTAKE	40'
2	B899504	LOWER TUBE WELD less INTAKE	42'
2	B896502	LOWER TUBE WELD less INTAKE	45'
2	B896505	LOWER TUBE WELD less INTAKE	47'
2	B896503	LOWER TUBE WELD less INTAKE	50'
2	B896506	LOWER TUBE WELD less INTAKE	52'
3	B887416	UPPER FLIGHT WELDMENT	ALL EX. 35', 37'
3	B892836	FLIGHT WELDMENT	35'
3	C802838	FLIGHT WELDMENT	37'
4	B891511	LOWER FLIGHT WELDMENT	40'
4	B891514	LOWER FLIGHT WELDMENT	42'
4	B891512	LOWER FLIGHT WELDMENT	45'
4	B891515	LOWER FLIGHT WELDMENT	47'
4	B891513	LOWER FLIGHT WELDMENT	50'
4	B890411	LOWER FLIGHT WELDMENT	52'
5	B891143	INTAKE ASSEMBLY c/w BUSHING	35', 40', 45', 50'
5	B890406	INTAKE ASSEMBLY c/w BUSHING	37', 42', 47', 52'
NS	B017610	INTAKE BUSHING	ALL SIZES
6	B890400	HITCHASSEMBLY	ALL SIZES
7	C802710	AXLE FRAME ASSEMBLY c/w HUBS	35', 37'
7	B899712	AXLE FRAME ASSEMBLY c/w HUBS	40', 42'
7	B898714	AXLE FRAME ASSEMBLY c/w HUBS	45', 47'
7	B898716	AXLE FRAME ASSEMBLY c/w HUBS	50', 52'
8	B011005	HUB COMPLETE - 4 BOLT	ALL SIZES
9	B011600	OUTER CUP - AUGER HUB	ALL SIZES
10	B011601	OUTER CONE - AUGER HUB	ALL SIZES
11	B011602	INNER CUP - AUGER HUB	ALL SIZES
12	B011603	INNER CONE - AUGER HUB	ALL SIZES
13	B011604	SEAL - 4 BOLT HUB	ALL SIZES
14	B011012	SPINDLE ONLY	ALL SIZES

REF#	PART NO.	DESCRIPTION	
15	B191602	A-FRAME ARM - 2 REQUIRED	35', 37'
15	B891518	A-FRAME ARM - 2 REQUIRED	40', 42'
15	B891519	A-FRAME ARM - 2 REQUIRED	45', 47', 50', 52'
16	B891524	A-FRAME CROSS BRACE - 2 REQUIRED	45', 47', 50', 52'
17	B887486	DRIVESHAFT GUARD x 10 5/8" LONG	AS REQ'D
17	B887485	DRIVESHAFT GUARD x 36 3/4" LONG	AS REQ'D
17	B887480	DRIVESHAFT GUARD x 60 1/2" LONG	AS REQ'D
17	B892839	DRIVESHAFT GUARD x 43" LONG	35', 37'
17	B191525	DRIVESHAFT GUARD x 41" LONG	40', 42'
18	B891521	TRANSPORT STOP	40',42',45',47'
18	B891522	TRANSPORT STOP	35',37',50',52'
19	B891521	MAXIMUM HEIGHT STOP	40',42',45',47'
19	B891522	MAXIMUM HEIGHT STOP	50',52'
20	B891510	TRUSS TOWER	45',47',50',52'
21	B002025	1/2" x 6 3/4" EYE BOLT (TRUSS)	45',47',50',52'
22	B008010	CABLE - 1/4" DIAMETER AIRCRAFT	AS REQ'D
NS	B008070	1/4" CABLE CLAMP	AS REQ'D
NS	B008071	1/4" CABLE THIMBLE	AS REQ'D
25	B891520	SLIDE	ALL SIZES
26	B891523	SLIDE ROLLER	ALL SIZES
27	B887410	UPPER DRIVESHAFT WELDMENT	45',47',50',52'
27	B899507	DRIVESHAFT WELDMENT	40', 42'
27	B691401	DRIVESHAFT WELDMENT	35', 37'
28	B017200	1 1/4" - 2 BOLT FLANGE BEARING	ALL EX. 35', 37'
28	B017050	1" - 2 BOLT FLANGE BEARING	35', 37'
29	B017090	1 1/4" - 4 BOLT FLANGE BEARING	ALL SIZES
30	B009040	UPPER SPROCKET 60-2 x 17	ALL EX. 35', 37'
30	B009009	UPPER SPROCKET 60-17	35', 37'
31	B009041	LOWER SPROCKET 60-2 x 30	ALL EX. 35', 37'
31	B009012	LOWER SPROCKET 60-30	35', 37'
32	B009594	DRIVE CHAIN - R60-2 x 44 PITCH	ALL EX. 35', 37'
32	B009015	DRIVE CHAIN - R60 x 44 PITCH	35', 37'

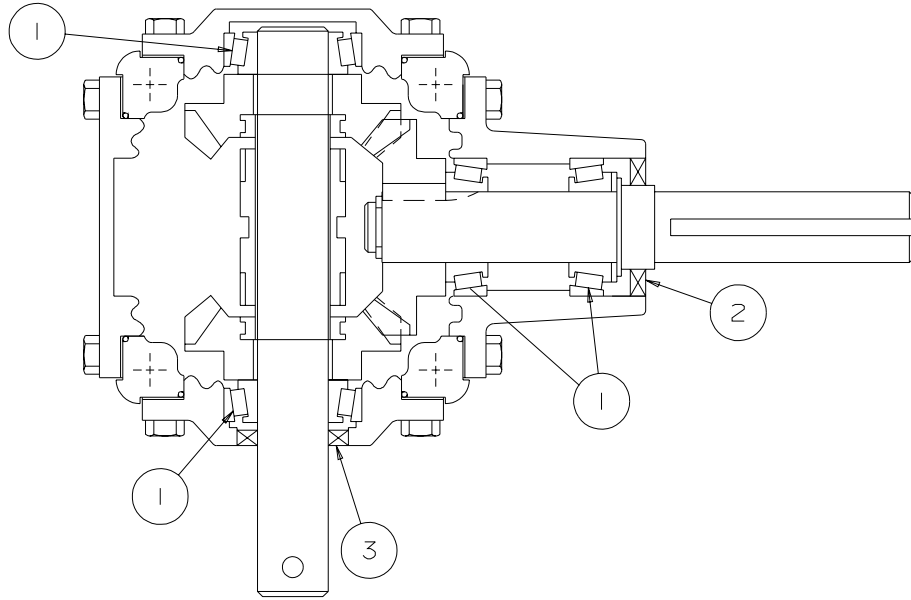
REF#	PART NO.	DESCRIPTION	
34	B027050	8" CHAIN GUARD	ALL SIZES
35	B891508	LOWER DRIVESHAFT WELDMENT	45',47'
35	B891509	LOWER DRIVESHAFT WELDMENT	50',52'
36	C808401	CHAIN COUPLING - INNER	ALL SIZES
37	C808420	CHAIN COUPLING - OUTER	ALL SIZES
38	B003005	GEARBOX 1:1	ALL SIZES
39	B887471	COUPLING GUARD	ALL SIZES
40	B0096018	R50-2 x 17 PITCH ROLLER CHAIN	ALL SIZES
41	B017045	DRIVESHAFT BEARING - ONE PIECE	ALL SIZES
41	B017046	DRIVESHAFT BEARING - SPLIT	ALL SIZES
42	B887477	DRIVESHAFT BEARING HOUSING	ALL SIZES
43	B002060	ROLL PIN - 5/16" x 2 1/2"	ALL SIZES
44	B890467	DRIVELINE COUPLING SHAFT	45', 47', 50', 52'
NS	B001015	GEARBOX SHEAR BOLT - 5/16"x 2 1/2" GR 5	ALL SIZES
46	B697342	GEARBOX PULLEY GUARD	35', 40', 45', 50'
46	B891489	GEARBOX PULLEY GUARD	37', 42', 47', 52'
47	B696344	ENGINE PULLEY GUARD - GAS DRIVE	ALL SIZES
48	B018052	B210 BELT - 2 REQUIRED	35', 37'
48	B018054	B235 BELT - 2 REQUIRED	40', 42'
48	B018056	B255 BELT - 2 REQUIRED	45', 47'
48	B018058	B290 BELT - 2 REQUIRED	50', 52'
49	B018032	PULLEY 2B 12.0" O.D.	35', 40', 45', 50'
49	B018120	PULLEY 2B 15.35" O.D.	37', 42', 47', 52'
50	B018144A	BELT IDLER PULLEY	ALL EX. 35', 37'
51	B671289G	BELT IDLER GUARD	ALL EX. 35', 37'
52	B188316	BELT IDLER SPACER	ALL EX. 35', 37'
53	B891525	LONG BRACKET - SQUARE	ALL EX. 35', 37'
54	B891526	SHORT BRACKET - SQUARE	ALL EX. 35', 37'

REF#	PART NO.	DESCRIPTION	
55	B030200	BRAKE WINCH - 1500 LB.	ALL SIZES
56	B695297	UPPER ADJUSTING ROD	ALL SIZES
57	B695296	LOWER ADJUSTING ROD	ALL SIZES
58	B895200	MOTORBASE	ALL SIZES
59	B695299	MOTORBASE MOUNTING LUG	ALL SIZES
60	B795293	LEVELLING BAR	35', 37'
60	B895749	LEVELLING BAR	40', 42'
60	B895753	LEVELLING BAR	45', 47'
60	B895754	LEVELLING BAR	50', 52'
61	B695295	LEVELLING PLATE	ALL SIZES
62	B695298	MOTOR MOUNT	ALL SIZES
63	B696345	ENGINE GUARD MOUNT	ALL SIZES
64	B011677	3/4" CASTLE NUT	ALL SIZES
65	B011500	DUST CAP - 411 HUB	ALL SIZES
66	B0275102	ROUND MANUAL HOLDER	ALL SIZES
67	C314500	MANUAL HOLDER BRACKET	ALL SIZES
68	B0020108	1/4" x 2 1/2" SQ. U-BOLT	ALL SIZES



B003005 8" x 35', 37', 40', 42', 45', 47', 50' & 52' GEARBOX - 1: 1 - COMPLETE

REF#	PART NO.	DESCRIPTION
1	B781352	INNER TAPERED BEARING - COMPLETE
2	B781353	OUTER TAPERED BEARING - COMPLETE
3	B781355	SEAL

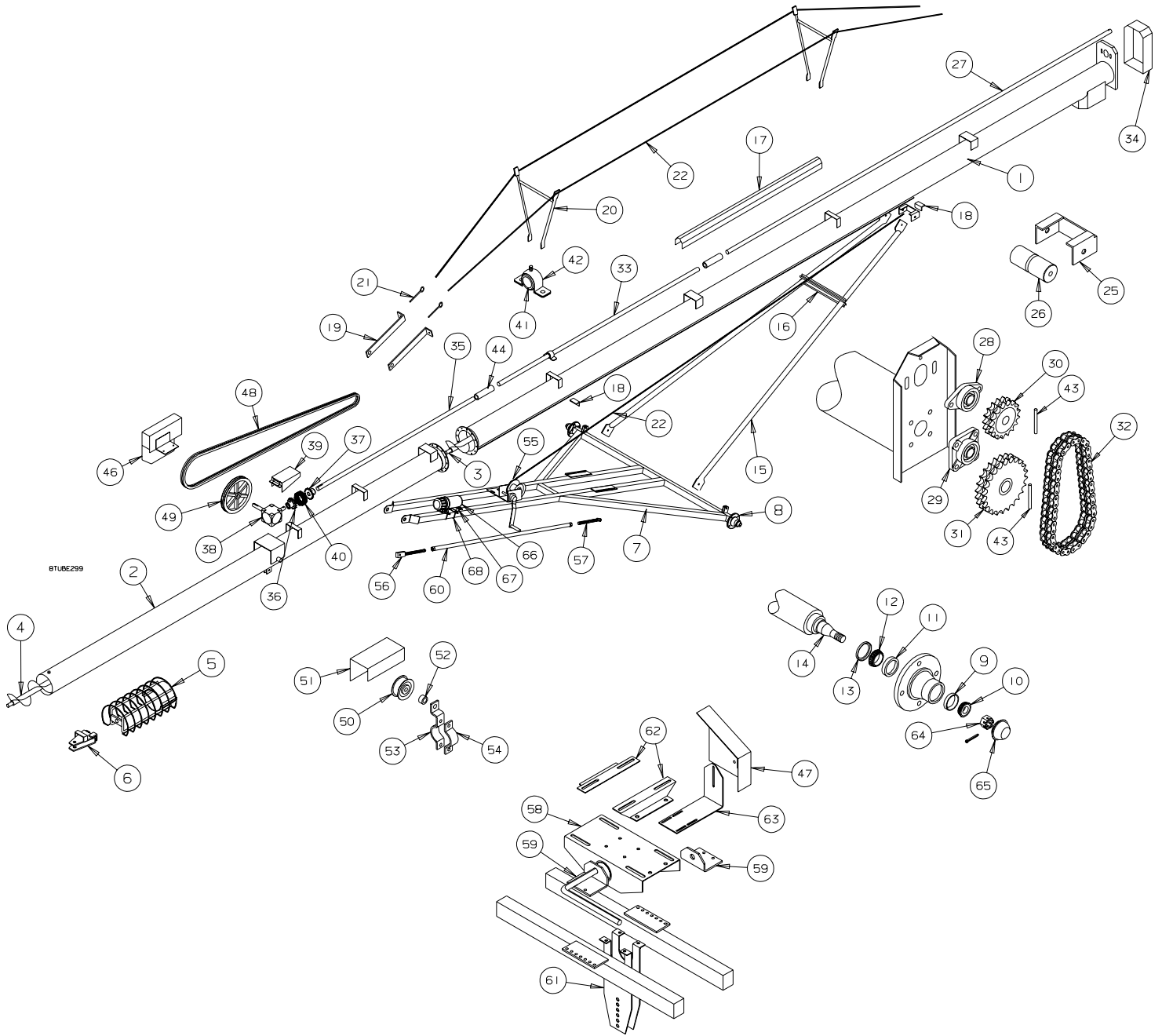


B003005R 8" x 35', 40', 42', 45', 47', 50' & 52' REVERSING GEARBOX - 1: 1 - COMP.

(THIS GEARBOX HAS A 1.25" ID INPUT SHAFT SEAL)

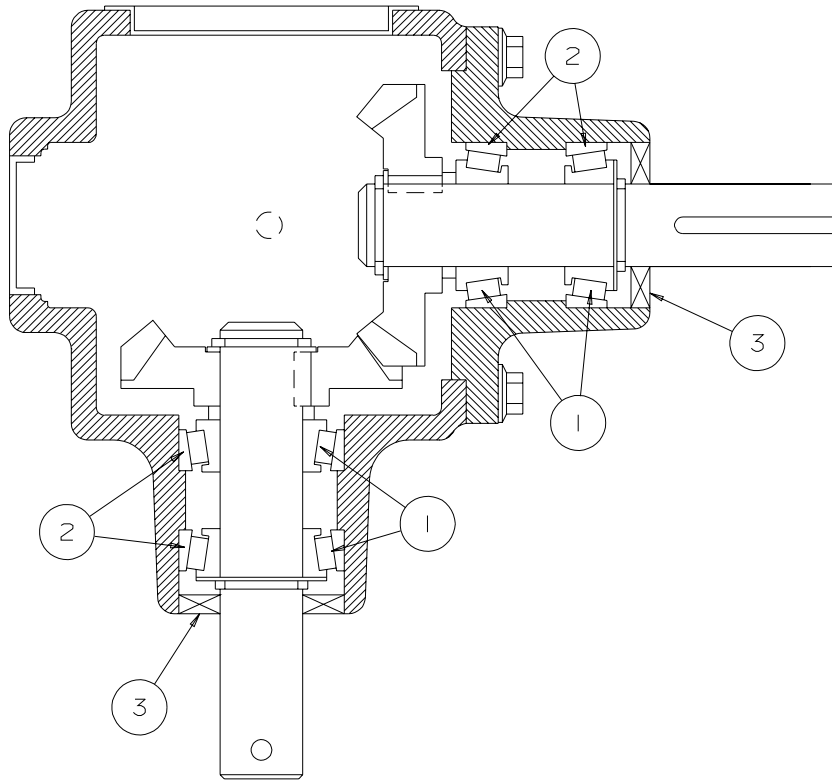
REF#	PART NO.	DESCRIPTION
1	B781353	BEARING CUP & CONE - LM11643/LM44610
2	B003005R27	INPUT SHAFT SEAL - 1.25"ID x 2.00" OD x 0.315"
3	B003005R37	OUTPUT SHAFT SEAL - 1.00" ID x 1.50" OD x 0.276"

8" X 55' BELT DRIVE STANDARD AUGER
SERIAL NOS. 100500 - 116499



REF#	PART NO.	DESCRIPTION	
1	B898561	UPPER TUBE WELDMENT	
2	B898566	LOWER TUBE WELD less INTAKE	
3	B887416	UPPER FLIGHT WELDMENT	
4	B898567	LOWER FLIGHT WELDMENT	
5	B891143	INTAKE ASSEMBLY c/w BUSHING	
NS	B017610	INTAKE BUSHING	
6	B890400	HITCHASSEMBLY	
7	B898576	AXLE FRAME ASSEMBLY c/w HUBS	
8	B011005	HUB COMPLETE - 4 BOLT	
9	B011600	OUTER CUP - AUGER HUB	
10	B011601	OUTER CONE - AUGER HUB	
11	B011602	INNER CUP - AUGER HUB	
12	B011603	INNER CONE - AUGER HUB	
13	B011604	SEAL - 4 BOLT HUB	
14	B011012	SPINDLE ONLY	
15	B898573	A-FRAME ARM - 2 REQUIRED	
16	B898575	A-FRAME CROSS BRACE - 2 REQUIRED	
17	B898580	DRIVESHAFT GUARD x 44 1/4" LONG	
17	B887480	DRIVESHAFT GUARD x 60 1/2" LONG	AS REQ'D
18	B891521	TRANSPORT STOP	
19	B794445	LOWER TRUSS ARM	
20	B898578	TRUSS TOWER	
21	B002025	1/2" x 6 3/4" EYE BOLT (TRUSS)	
22	B008010	CABLE - 1/4" DIAMETER AIRCRAFT	AS REQ'D
NS	B008070	1/4" CABLE CLAMP	AS REQ'D
NS	B008071	1/4" CABLE THIMBLE	AS REQ'D
25	B891520	SLIDE	
26	B891523	SLIDE ROLLER	
27	B898568	UPPER SOLID DRIVESHAFT	
28	B017200	1 1/4" - 2 BOLT FLANGE BEARING	
29	B017090	1 1/4" - 4 BOLT FLANGE BEARING	
30	B009040	UPPER SPROCKET 60-2 x 17	
31	B009041	LOWER SPROCKET 60-2 x 30	
32	B009594	DRIVE CHAIN - R60-2 x 44 PITCH	
33	B898569	CENTRE SOLID DRIVESHAFT	

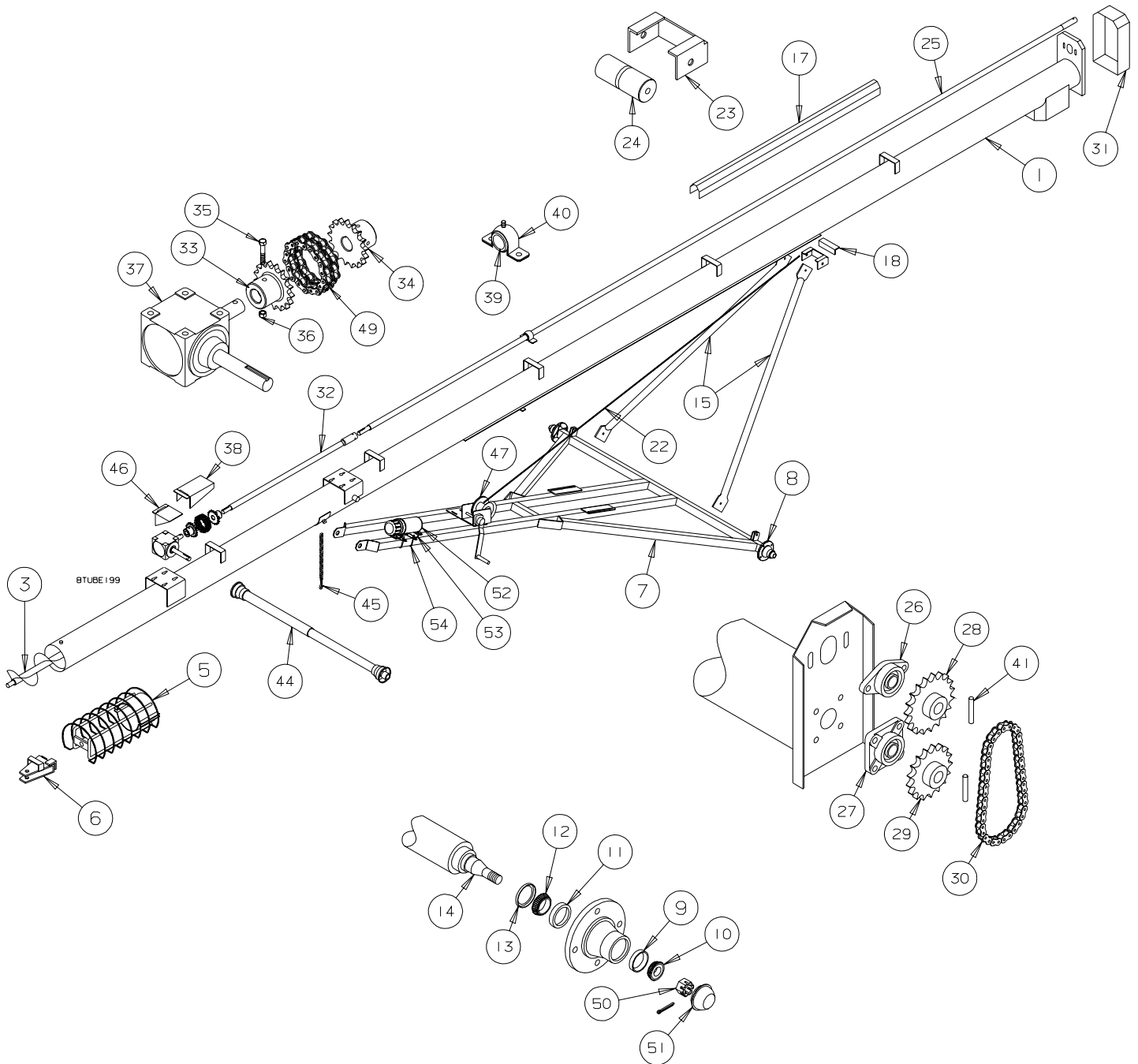
REF#	PART NO.	DESCRIPTION
34	B027050	8" CHAIN GUARD
35	B898570	LOWER SOLID DRIVESHAFT
36	C808584	CHAIN COUPLING - INNER - 1 1/4" BORE
37	C808562	CHAIN COUPLING - OUTER - 1 1/4" BORE
38	B003011A	GEARBOX - LARGE - 1:1 - 1 1/4" SHAFTS
39	B887472	LARGE COUPLING GUARD
40	B0096018	R50-2 x 17 PITCH ROLLER CHAIN
41	B017045	DRIVESHAFT BEARING - ONE PIECE
41	B017046	DRIVESHAFT BEARING - SPLIT
42	B887477	DRIVESHAFT BEARING HOUSING
43	B002060	ROLL PIN - 5/16" x 2 1/2"
44	B898571	DRIVELINE CONNECTOR
NS	B001015	GEARBOX SHEAR BOLT - 5/16"x 2 1/2" GR 5
46	B898582	GEARBOX PULLEY GUARD
47	B696344	ENGINE PULLEY GUARD - GAS DRIVE
48	B018060	B318 BELT - 2 REQUIRED
49	B018121	PULLEY - 2B 15.35" O.D.- 1 1/4" BORE
50	B018144A	BELT IDLER PULLEY
51	B671289G	BELT IDLER GUARD
52	B188316	BELT IDLER SPACER
53	B891525	LONG BRACKET - SQUARE
54	B891526	SHORT BRACKET - SQUARE
55	B030200	BRAKE WINCH - 1500 LB.
56	B695297	UPPER ADJUSTING ROD
57	B695296	LOWER ADJUSTING ROD
58	B695294	MOTORBASE
59	B695299	MOTORBASE MOUNTING LUG
60	B898574	LEVELLING BAR
61	B695295	LEVELLING PLATE
62	B695298	MOTOR MOUNT
63	B696345	ENGINE GUARD MOUNT
64	B011677	3/4" CASTLE NUT
65	B011500	DUST CAP - 411 HUB
66	B0275102	ROUND MANUAL HOLDER
67	C314500	MANUAL HOLDER BRACKET
68	B0020108	1/4" x 2 1/2" SQ. U-BOLT



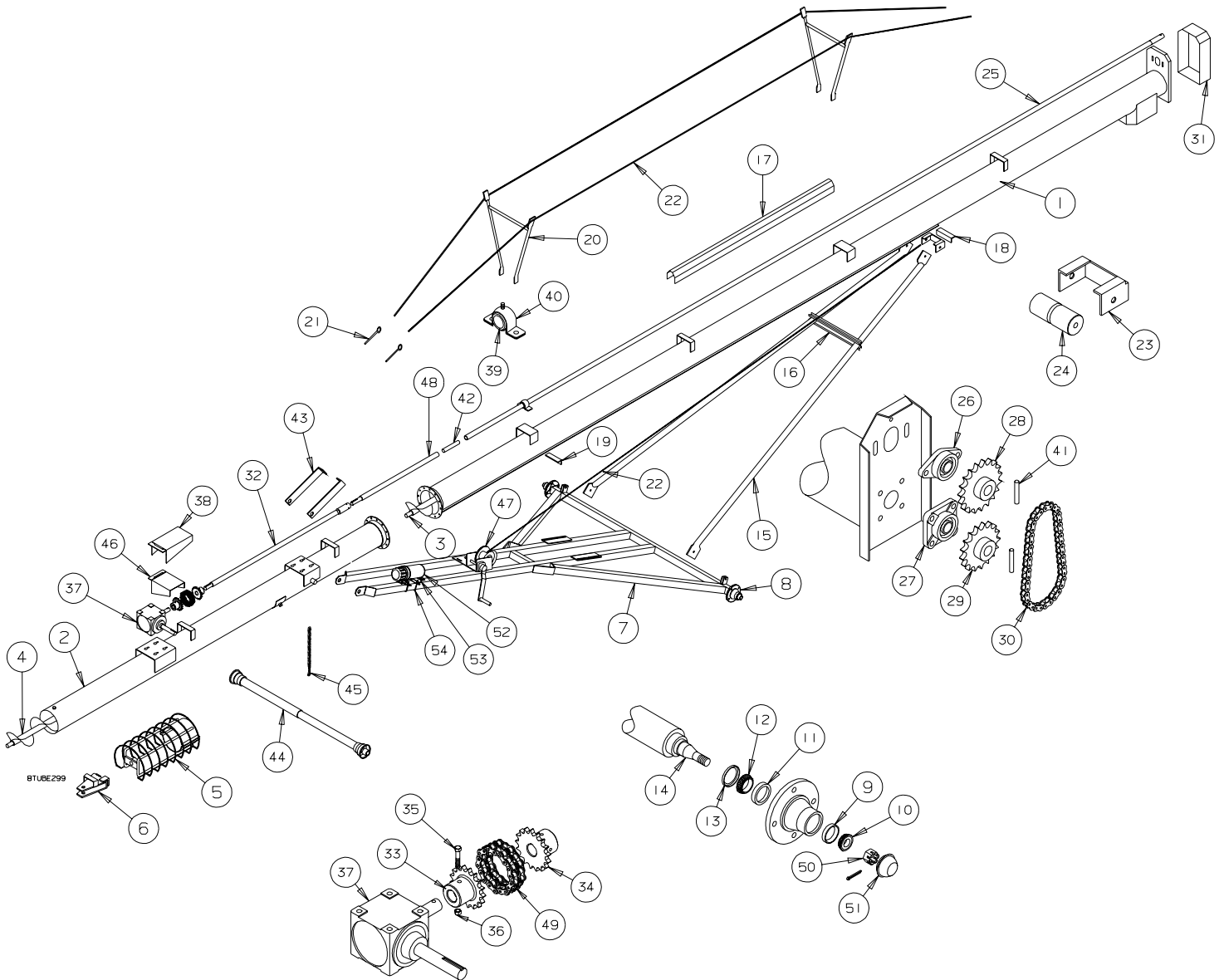
B003011 8" x 55' GEARBOX - 1: 1 - 1 1/4" SHAFTS - COMPLETE

REF#	PART NO.	DESCRIPTION
1	B011603	BEARING CONE - LM67048
2	B011602	BEARING CUP - LM67010
3	B882230	SEAL

8" X 35' DIRECT DRIVE STANDARD AUGER
SERIAL NOS. 100500 - 116499

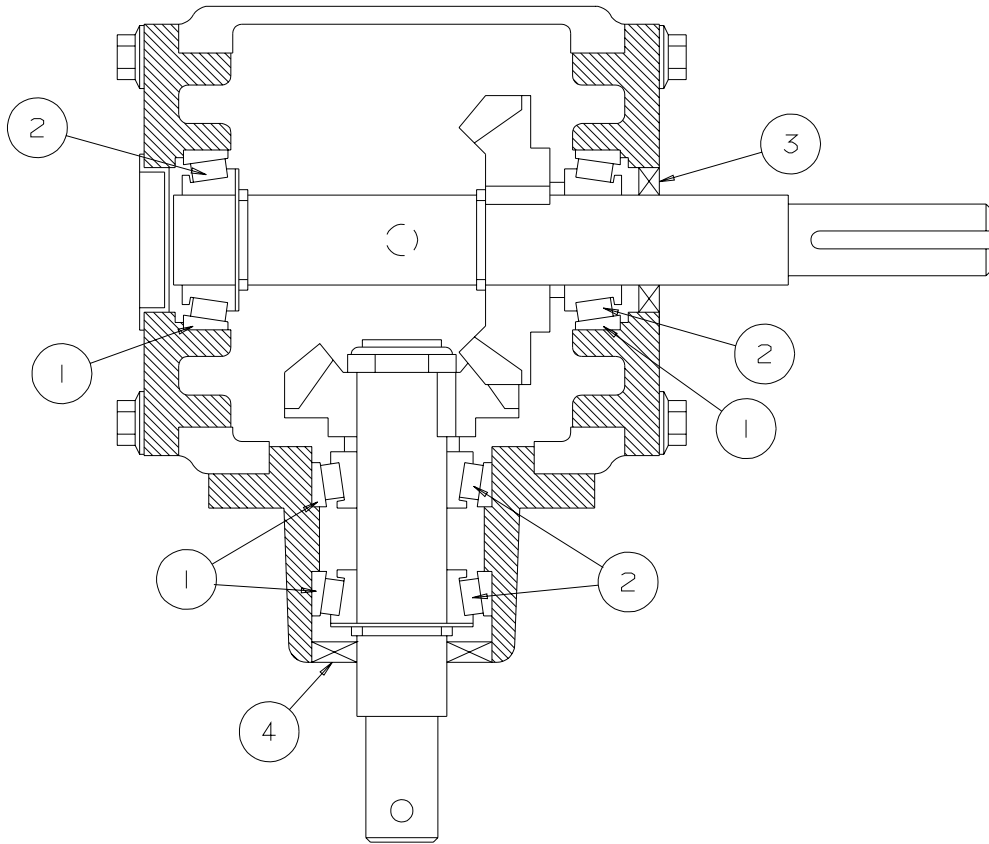


8" X 42', 47' & 52' DIRECT DRIVE SC AUGER
SERIAL NOS. 100500 - 116499



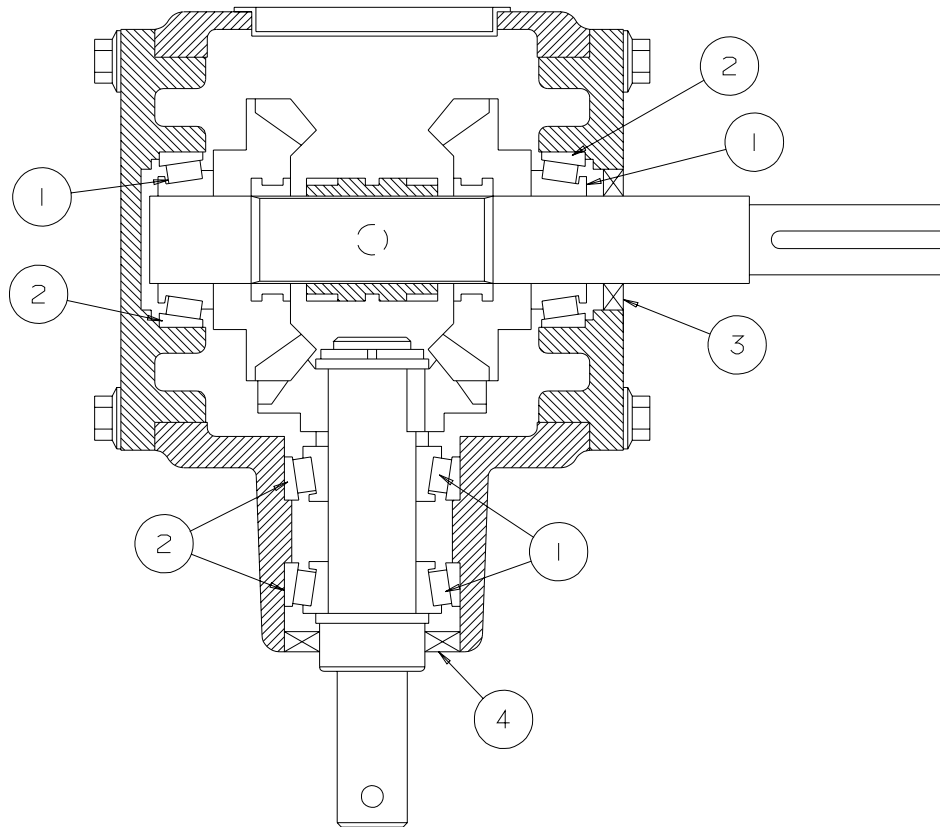
REF#	PART NO.	DESCRIPTION	
1	B896500	UPPER TUBE WELDMENT	47', 52'
1	C800508P	UPPER TUBE WELDMENT	42'
1	C802835P	TUBE WELDMENT ONLY less INTAKE	35'
2	C800504P	LOWER TUBE WELD less INTAKE	42'
2	B899505P	LOWER TUBE WELD less INTAKE	47'
2	B899506P	LOWER TUBE WELD less INTAKE	52'
3	B887416	UPPER FLIGHT WELDMENT	ALL EX. 35'
3	B892836	FLIGHT WELDMENT	35'
4	B891514	LOWER FLIGHT WELDMENT	42'
4	B891515	LOWER FLIGHT WELDMENT	47'
4	B890411	LOWER FLIGHT WELDMENT	52'
5	B891143	INTAKE ASSEMBLY c/w BUSHING	35'
5	B890406	INTAKE ASSEMBLY c/w BUSHING	42', 47', 52'
NS	B017610	INTAKE BUSHING	ALL SIZES
6	B890400	HITCH ASSEMBLY	ALL SIZES
7	C802710	AXLE FRAME ASSEMBLY c/w HUBS	35'
7	B899712	AXLE FRAME ASSEMBLY c/w HUBS	42'
7	B898714	AXLE FRAME ASSEMBLY c/w HUBS	47'
7	B898716	AXLE FRAME ASSEMBLY c/w HUBS	52'
8	B011005	HUB COMPLETE - 4 BOLT	ALL SIZES
9	B011600	OUTER CUP - AUGER HUB	ALL SIZES
10	B011601	OUTER CONE - AUGER HUB	ALL SIZES
11	B011602	INNER CUP - AUGER HUB	ALL SIZES
12	B011603	INNER CONE - AUGER HUB	ALL SIZES
13	B011604	SEAL - 4 BOLT HUB	ALL SIZES
14	B011012	SPINDLE ONLY	ALL SIZES
15	B191602	A-FRAME ARM - 2 REQUIRED	35'
15	B891518	A-FRAME ARM - 2 REQUIRED	42'
15	B891519	A-FRAME ARM - 2 REQUIRED	47', 52'
16	B891524	A-FRAME CROSS BRACE - 2 REQUIRED	47', 52'
17	B887480	DRIVESHAFT GUARD x 61" LONG	AS REQ'D
17	B899548P	DRIVESHAFT GUARD x 28 1/2" LONG	47'
17	B899549P	DRIVESHAFT GUARD x 33" LONG	47'
17	B899550P	DRIVESHAFT GUARD x 40 3/16" LONG	35'
17	B899552P	DRIVESHAFT GUARD x 54 1/4" LONG	42'
17	B899553P	DRIVESHAFT GUARD x 55" LONG	52'
17	B899554P	DRIVESHAFT GUARD x 67" LONG	52'
17	C800559P	DRIVESHAFT GUARD x 26 1/8" LONG	42'
17	C800560P	DRIVESHAFT GUARD x 35 1/8" LONG	42'
18	B891521	TRANSPORT STOP	42', 47'
18	B891522	TRANSPORT STOP	35', 52'
19	B891521	MAXIMUM HEIGHT STOP	42', 47'
19	B891522	MAXIMUM HEIGHT STOP	52'
20	B891510	TRUSS TOWER	47', 52'
21	B002025	1/2" x 6 3/4" EYE BOLT (TRUSS)	47', 52'
22	B008010	CABLE - 1/4" DIAMETER AIRCRAFT	AS REQ'D
NS	B008070	1/4" CABLE CLAMP	AS REQ'D
NS	B008071	1/4" CABLE THIMBLE	AS REQ'D

REF#	PART NO.	DESCRIPTION	
23	B891520	SLIDE	ALL SIZES
24	B891523	SLIDE ROLLER	ALL SIZES
25	B887410	UPPER DRIVESHAFT WELDMENT	47', 52'
25	C800544P	UPPER DRIVESHAFT WELDMENT	42'
25	B899547P	UPPER DRIVESHAFT WELDMENT	35'
26	B017200	1 1/4" - 2 BOLT FLANGE BEARING	ALL SIZES
27	B017090	1 1/4" - 4 BOLT FLANGE BEARING	ALL SIZES
28	B009401	UPPER SPROCKET 80-19 - 1 1/4" BORE	ALL SIZES
29	B009018	LOWER SPROCKET 80-17 - 1 1/4" BORE	ALL SIZES
30	B009022	DRIVE CHAIN - R80 x 33 PITCH	ALL SIZES
31	B027050	8" CHAIN GUARD	ALL SIZES
32	B899540P	LOWER DRIVESHAFT WELDMENT	35'
32	C800541P	LOWER DRIVESHAFT WELDMENT	42'
32	B889542P	LOWER DRIVESHAFT WELDMENT	47'
32	B889543P	LOWER DRIVESHAFT WELDMENT	52'
33	C808401	CHAIN COUPLING - INNER	ALL SIZES
34	C808420	CHAIN COUPLING - OUTER	ALL SIZES
35	B001015	SHEAR BOLT - 5/16"x 2 1/2" BOLT - GR.5	ALL SIZES
36	B001127	5/16" LOCK NUT	ALL SIZES
37	B003010	GEARBOX - LARGE 1:1 - 1" SHAFTS	OPT. ALL SIZES
37	B003010R	GEARBOX - LARGE 1:1 REVERSING	OPT. ALL SIZES
38	B887472	LARGE COUPLING GUARD	ALL SIZES
39	B017045	DRIVESHAFT BEARING - ONE PIECE	ALL SIZES
39	B017046	DRIVESHAFT BEARING - SPLIT	ALL SIZES
40	B887477	DRIVESHAFT BEARING HOUSING	ALL SIZES
41	B002060	ROLL PIN - 5/16" x 2 1/2"	ALL SIZES
42	B890467	DRIVELINE COUPLING SHAFT	47', 52'
43	B794445	LOWER TRUSS ARM	47', 52'
44	B003030	PTO SHAFT - 1" YOKE - 540 RPM- 84" EXT.	ALL SIZES
45	B180555	PTO SHAFT TRANSPORT CHAIN	ALL SIZES
46	B878300	PTO SHAFT GUARD	ALL SIZES
47	B030200	BRAKE WINCH - 1500 LB.	ALL SIZES
48	B899545P	CENTRE DRIVESHAFT	47'
48	B899546P	CENTRE DRIVESHAFT	52'
49	B0096018	R50-2 x 17 PITCH ROLLER CHAIN	ALL SIZES
50	B011677	3/4" CASTLE NUT	ALL SIZES
51	B011500	DUST CAP - 411 HUB	ALL SIZES
52	B0275102	ROUND MANUAL HOLDER	ALL SIZES
53	C314500	MANUAL HOLDER BRACKET	ALL SIZES
54	B0020108	1/4" x 2 1/2" SQ. U-BOLT	ALL SIZES



B003010 8" x 35', 42', 47' & 52' DIRECT DRIVE GEARBOX - 1: 1 - COMPLETE

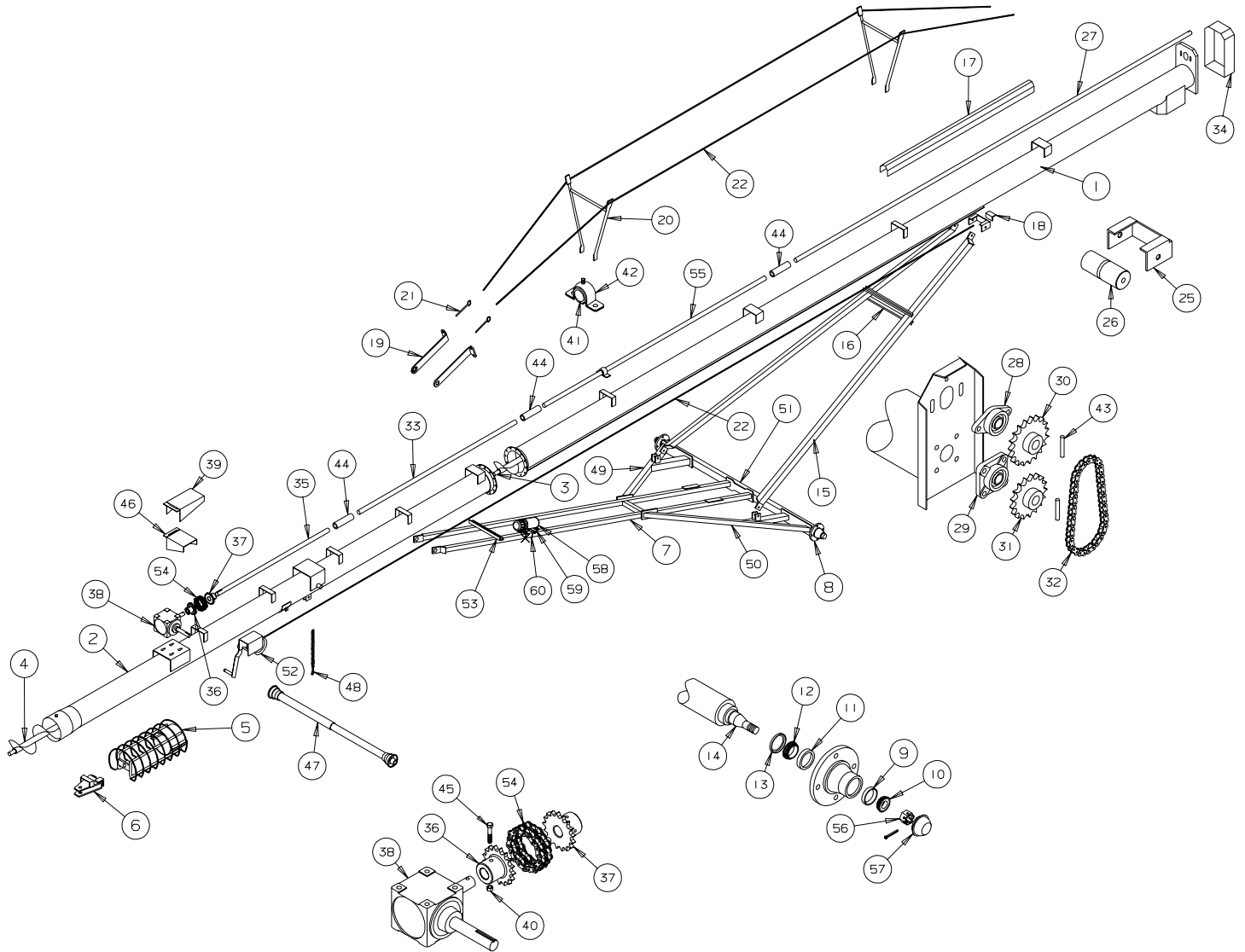
REF#	PART NO.	DESCRIPTION
1	B011602	BEARING CUP - LM67010
2	B011603	BEARING CONE - LM67048
3	B882228	SEAL - INPUT SHAFT
4	B882230	SEAL - OUTPUT SHAFT



B003010R 8" x 35', 42', 47' & 52' DIRECT DRIVE REVERSING GEARBOX - 1: 1 - COMPLETE

REF#	PART NO.	DESCRIPTION
1	B011603	BEARING CONE - LM67048
2	B011602	BEARING CUP - LM67010
3	B00301411	SEAL - INPUT SHAFT (1.25 x 2.00 x .315)
4	B003010R11	SEAL - OUTPUT SHAFT (1.50 x 2.374 x .315)

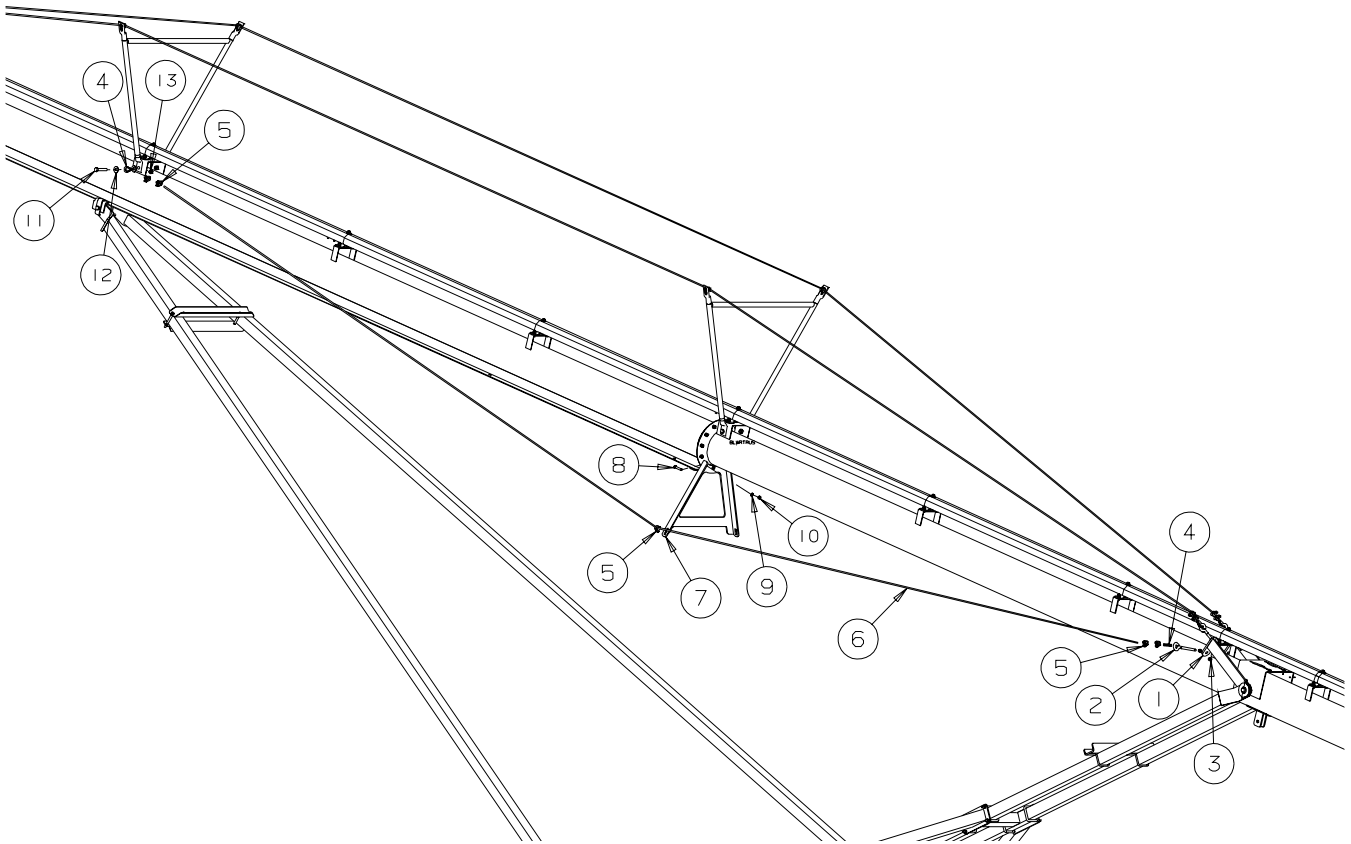
8" X 57' & 62' DIRECT DRIVE SC AUGER
SERIAL NOS. 100500 - 116499



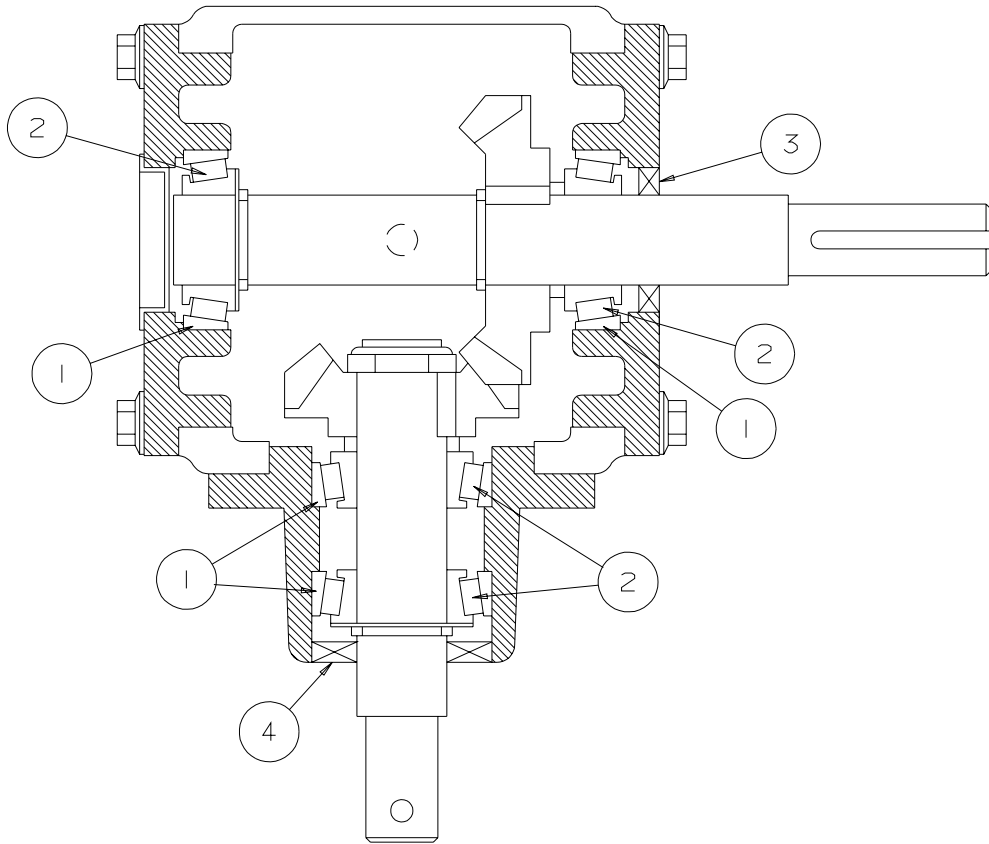
REF#	PART NO.	DESCRIPTION	
1	B896500	UPPER TUBE WELDMENT	57', 62'
2	C802740	LOWER TUBE WELD less INTAKE	57'
2	C802741	LOWER TUBE WELD less INTAKE	62'
3	B887416	UPPER FLIGHT WELDMENT	57', 62'
4	C802746	LOWER FLIGHT WELDMENT	57'
4	B890412	LOWER FLIGHT WELDMENT	62'
5	B890406	INTAKE ASSEMBLY c/w BUSHING	57', 62'
NS	B017610	INTAKE BUSHING	57', 62'
6	B890400	HITCH ASSEMBLY	57', 62'
7	C802722	AXLE FRAME WELDMENT	57'
7	C802723	AXLE FRAME WELDMENT	62'
8	B011005	HUB COMPLETE - 4 BOLT	ALL SIZES
9	B011600	OUTER CUP - AUGER HUB	ALL SIZES
10	B011601	OUTER CONE - AUGER HUB	ALL SIZES
11	B011602	INNER CUP - AUGER HUB	ALL SIZES
12	B011603	INNER CONE - AUGER HUB	ALL SIZES
13	B011604	SEAL - 4 BOLT HUB	ALL SIZES
14	B011012	SPINDLE ONLY	ALL SIZES
15	C802726	A-FRAME ARM - 2 REQUIRED	57'
15	C802727	A-FRAME ARM - 2 REQUIRED	62'
16	B891524	A-FRAME CROSS BRACE - 2 REQUIRED	57', 62'
17	B887480	DRIVESHAFT GUARD x 61" LONG	AS REQ'D
17	B892839	DRIVESHAFT GUARD x 43" LONG	57'
17	B898580	DRIVESHAFT GUARD x 44 1/4" LONG	57'
17	C802752	DRIVESHAFT GUARD x 35 3/8" LONG	57'
17	C802753	DRIVESHAFT GUARD x 32" LONG	62'
17	C802754	DRIVESHAFT GUARD x 29" LONG	62'
18	B891521	TRANSPORT STOP	57', 62'
19	C811076	LOWER TRUSS ARM	57', 62'
20	B898578	TRUSS TOWER	57', 62'
21	B002025	1/2" x 6 3/4" EYE BOLT (TRUSS)	47', 52'
22	B008010	CABLE - 1/4" DIAMETER AIRCRAFT	AS REQ'D
NS	B008070	1/4" CABLE CLAMP	AS REQ'D
NS	B008071	1/4" CABLE THIMBLE	AS REQ'D
25	B891520	SLIDE	ALL SIZES
26	B891523	SLIDE ROLLER	ALL SIZES
27	B898568	UPPER SOLID DRIVESHAFT	ALL SIZES

REF#	PART NO.	DESCRIPTION	
28	B017200	1 1/4" - 2 BOLT FLANGE BEARING	ALL SIZES
29	B017090	1 1/4" - 4 BOLT FLANGE BEARING	ALL SIZES
30	B009401	UPPER SPROCKET 80-19 - 1 1/4" BORE	ALL SIZES
31	B009018	LOWER SPROCKET 80-17 - 1 1/4" BORE	ALL SIZES
32	B009022	DRIVE CHAIN - R80 x 33 PITCH	ALL SIZES
33	C810555	CENTRE DRIVESHAFT - 138 5/8"	57'
33	C810551	CENTRE DRIVESHAFT - 150 7/8"	62'
34	B027050	8" CHAIN GUARD	ALL SIZES
35	C810556	LOWER DRIVESHAFT - 110 3/4"	57'
35	C810552	LOWER DRIVESHAFT - 158 1/2"	62'
36	C808401	CAST COUPLING - INNER	ALL SIZES
37	C808562	CAST COUPLING - OUTER	ALL SIZES
38	B003010	GEARBOX - LARGE 1:1 - 1" SHAFTS	ALL SIZES
38	B003010R	GEARBOX - LARGE 1:1 REVERSING	OPT. ALL SIZES
39	B887472	LARGE COUPLING GUARD	ALL SIZES
40	B001127	5/16" LOCK NUT	ALL SIZES
41	B017045	DRIVESHAFT BEARING - ONE PIECE	ALL SIZES
41	B017046	DRIVESHAFT BEARING - SPLIT	ALL SIZES
42	B887477	DRIVESHAFT BEARING HOUSING	ALL SIZES
43	B002060	ROLL PIN - 5/16" x 2 1/2"	ALL SIZES
44	B898571	DRIVELINE COUPLING SLEEVE	ALL SIZES
45	B001015	SHEAR BOLT - 5/16"x 2 1/2" BOLT - GR.5	ALL SIZES
46	B878300	PTO SHAFT GUARD	ALL SIZES
47	B003030	PTO SHAFT - 1" YOKE - 540 RPM- 84" EXT.	ALL SIZES
48	B180555	PTO SHAFT TRANSPORT CHAIN	ALL SIZES
49	C802724	SUPPORT BRACE- LEFT	ALL SIZES
50	C802725	SUPPORT BRACE- RIGHT	ALL SIZES
51	C802721	SQUARE AXLE WELD- 10'	ALL SIZES
52	B030200	BRAKE WINCH - 1500 LB.	ALL SIZES
53	B298432	TRANSPORT CHANNEL	ALL SIZES
54	B0096018	R50-2 x 17 PITCH ROLLER CHAIN	ALL SIZES
55	C810550	CENTRE DRIVESHAFT - 119"	ALL SIZES
56	B011677	3/4" CASTLE NUT	ALL SIZES
57	B011500	DUST CAP - 411 HUB	ALL SIZES
58	B0275102	ROUND MANUAL HOLDER	ALL SIZES
59	C314500	MANUAL HOLDER BRACKET	ALL SIZES
60	B0020108	1/4" x 2 1/2" SQ. U-BOLT	ALL SIZES

LOWER TRUSS KIT - 857 & 862 SC AUGERS

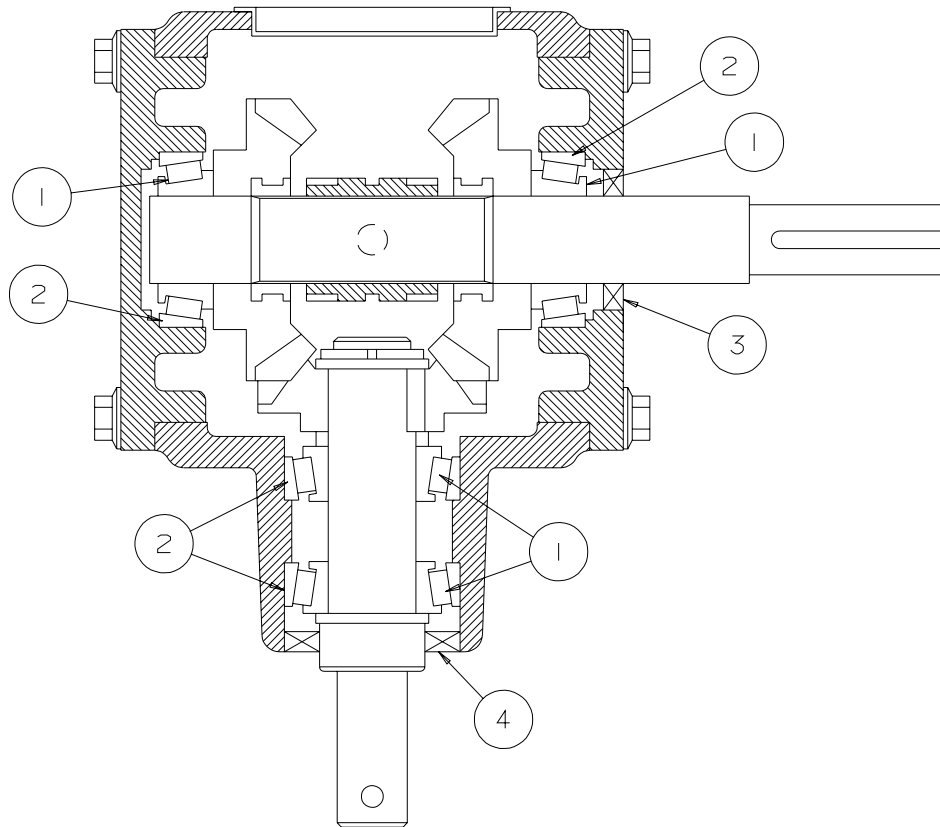


REF#	PART NO.	DESCRIPTION
1	C811076	Lower Truss Arm
2	B002025	1/2"x 6 3/4" Eyebolt
3	B001135	1/2" Hex Nut
4	B008071	1/4" Cable Thimble
5	B008070	1/4" Cable Clamp
6	C811072	Lower Truss Cable - 857 (27' 6")
6	C811073	Lower Truss Cable - 862 (29' 6")
7	C811066	Lower Truss Tower
8	B001025	3/8"x 1 1/4" Bolt
9	B001165	3/8" Lockwasher
10	B001131	3/8" Hex Nut
11	B001043	1/2"x 1 3/4" Bolt
12	B001151	1/2" Flatwasher
13	B001134	1/2" Stover Lock Nut



B003010 8" x 57' & 62' DIRECT DRIVE GEARBOX - 1: 1 - COMPLETE

REF#	PART NO.	DESCRIPTION
1	B011602	BEARING CUP - LM67010
2	B011603	BEARING CONE - LM67048
3	B882228	SEAL - INPUT SHAFT
4	B882230	SEAL - OUTPUT SHAFT



B003010R 8" x 57' & 62' DIRECT DRIVE REVERSING GEARBOX - 1: 1 - COMPLETE

REF#	PART NO.	DESCRIPTION
1	B011603	BEARING CONE - LM67048
2	B011602	BEARING CUP - LM67010
3	B00301411	SEAL - INPUT SHAFT (1.25 x 2.00 x .315)
4	B003010R11	SEAL - OUTPUT SHAFT (1.50 x 2.374 x .315)