

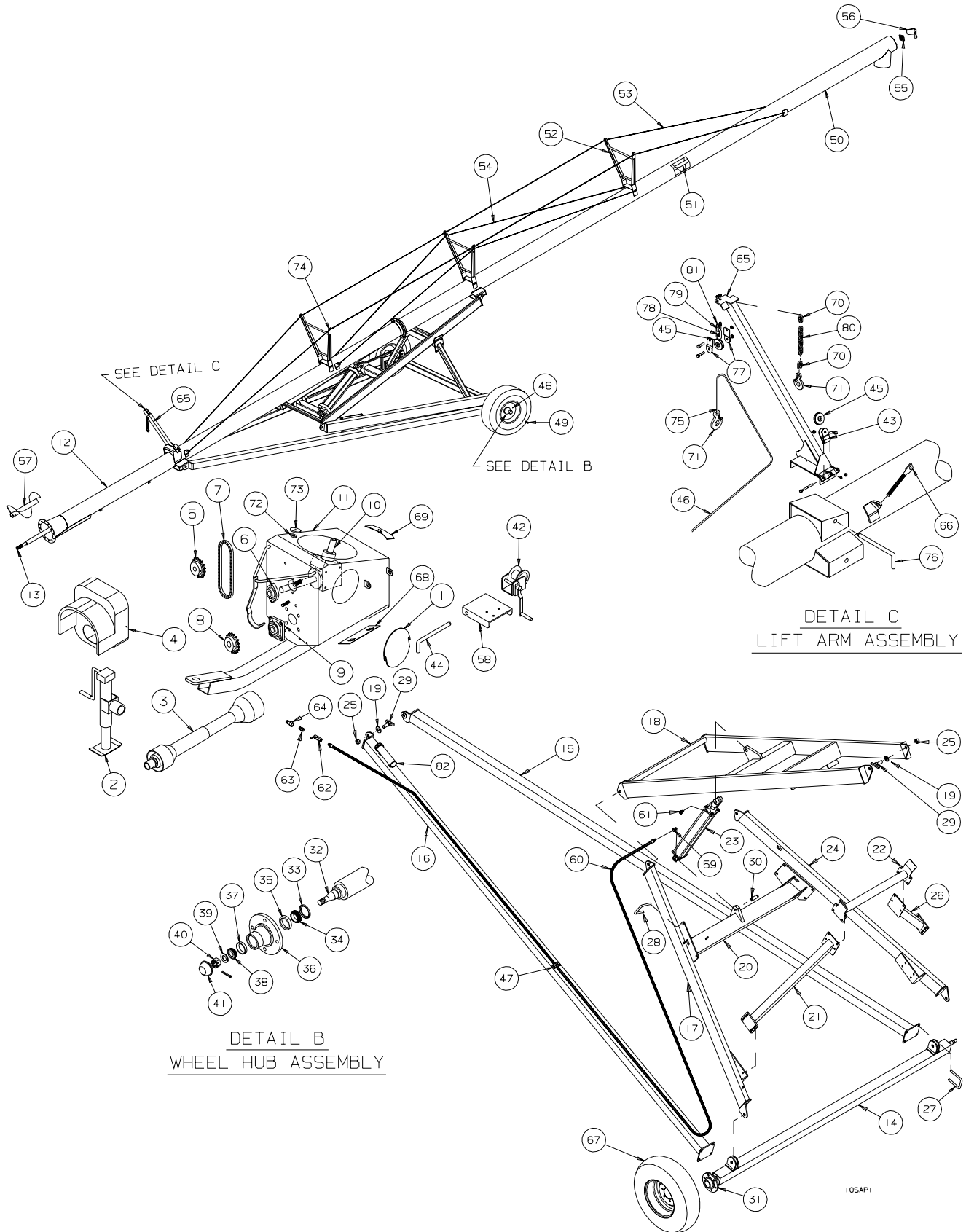
***10''x 60' & 70'
MECHANICAL DRIVE
SWING AWAY AUGER***

PARTS LIST

SERIAL NOS. 88000 - 94999

10" X 60' TUBE & UNDERCARRIAGE ASSEMBLY - 10" MDSA AUGER

SERIAL NOS. 88000 - 94999



DETAIL B
WHEEL HUB ASSEMBLY

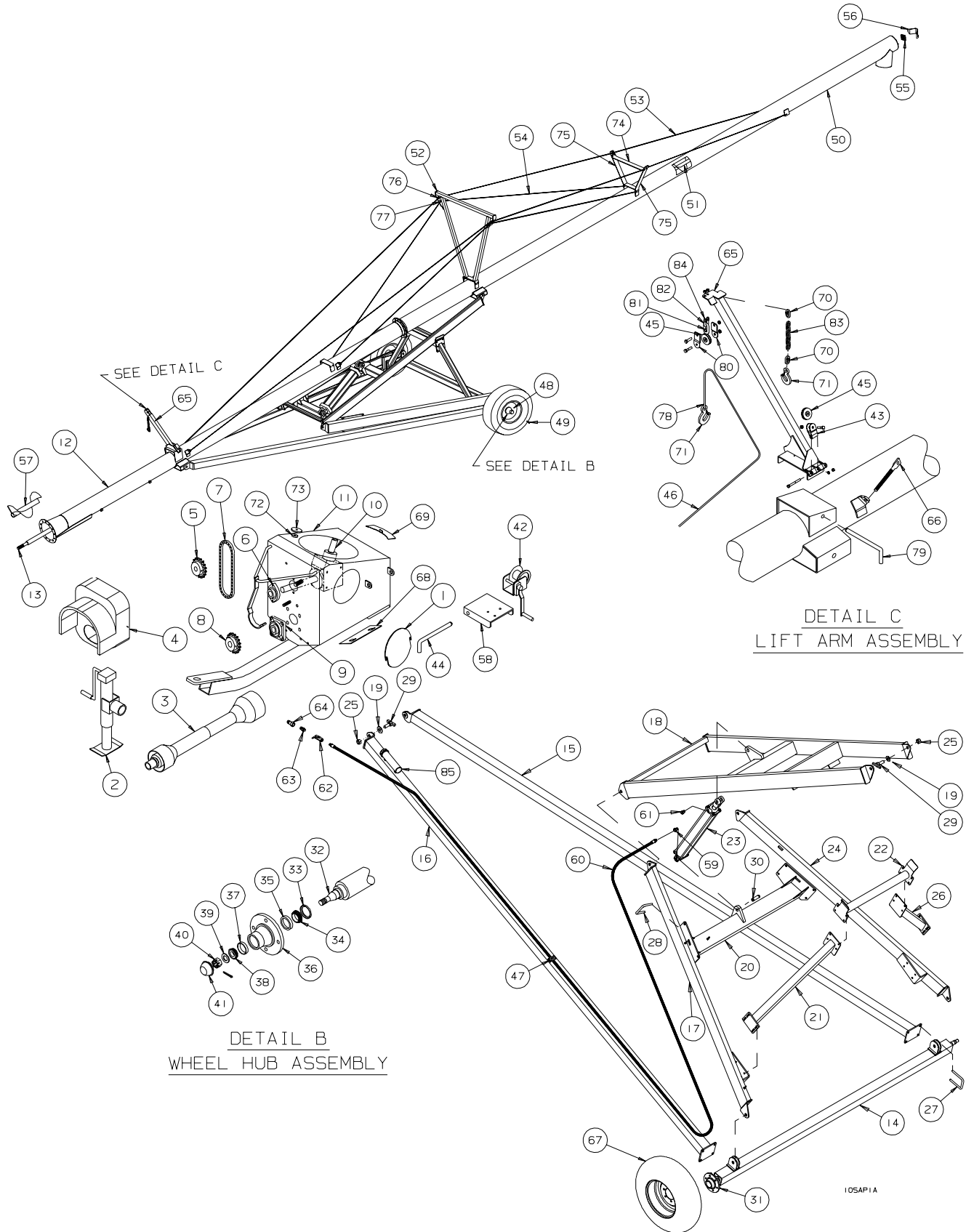
DETAIL C
LIFT ARM ASSEMBLY

10SAP1

#	PART #	DESCRIPTION
1	B198362	Boot Access Cover
2	B030500	Side Wind Jack
3	B003049	PTO Shaft - Constant Velocity
4	B027504	Boot Guard, MDSA Plastic
5	B009010	60-17 Sprocket - 1 1/4" Bore
6	B017200	Bearing - 1 1/4" - 2 Bolt
7	B009014	R60 Chain x 40 Pitch
8	B009028	60-17 Sprocket - 1 3/8" Bore
9	B017160	Bearing - 1 3/8" - 4 Bolt
10	B003015	1:1 Gearbox - 112° - 21 Spline
11	B198404M	10" Intake Boot - CV
12	C108885	60' x 10" Bottom Tube - MD
13	B198011CV	60' x 10" Bottom Flight - MD
14	C100934	Scissor Axle Weld
15	C200884L	Axle Arm - Left
16	C200884R	Axle Arm - Right
17	C200883R	Lift Arm - Right
18	C200897	Ladder
19	B001159	1" Flat Washer
20	C200900	Lift Cross
21	C200727	Transport Upright - Right
22	C200729	Transport Rest
23	B019166	Hydra. Cylinder- 3.5"x 30" - 60'
NS	B019022	Seal Kit - 3.5" x 30" Cylinder
24	C200883L	Lift Arm - Left
25	B001075	1" Lock Nut
26	C200730	Transport Upright - Left
27	B0020188	5/8"x 4" Sq. U-bolt x 5 1/2" Lg
28	B0020184	5/8"x 6" Sq. U-bolt x 3 1/2" Lg
29	C200666	Suspension Bolt
30	B019178	Hydraulic Cylinder Pin
31	B011005	4 Bolt Hub Complete c/w Bearings
32	B011012	Spindle Only
33	B011604	Seal - 4 Bolt Hub
34	B011603	Inner Cone - 4 Bolt Hub - LM67048
35	B011602	Inner Cup - 4 Bolt Hub - LM67010
36	B011605	Hub Only c/w Cups - 4 Bolt Hub
37	B011600	Outer Cup - 4 Bolt Hub - LM11910
38	B011601	Outer cone - 4 Bolt Hub - LM11949
39	B011676	3/4" Flatwasher - 4 Bolt Hub

#	PART #	DESCRIPTION
40	B011677	3/4" Castle Nut - 4 Bolt Hub
41	B011500	Dust Cap - 4 Bolt Hub
42	B030200	1500 lb. Brake Winch
43	C109104	Pulley Mount Weld
44	B198351	Saddle Retainer Pin
45	B394712	3" OD x 1/4" Cable Sheave (2 Req'd)
46	B194186	1/4" dia. Aircraft Cable x 29' Long
47	B021605	Plastic Hose Holder
48	B011016	15" Rim - 4 Bolt (2 Req'd)
49	B011504	Wheel Bolt
50	C105886	Upper Tube Weld- 60'
51	B198009	Upper Flight Weld - 60' & 70'
52	C200735	Truss Tower
53	B0081075	3/8"x 45' Aircraft Cable - 60'
54	B008300	3/8"x 22' Aircraft Cable - 60'
55	B017090	1 1/4" Bearing - 4 Bolt
56	B198340	Bearing Safety Cover
57	B194008M	11" Booster Flight
58	B198353	Winch Bracket
59	B019416	Restrictor- #6 MORB x #6 MJIC - 1/16" Dia
60	B019288	3/8" Hydra. Hose x 48' - 3/8" MPT x #6 FJIC
61	B0193051	Breather - #6 MORB, 10 micron
62	B019300	Ball Valve - 3/8" FPT
63	B019516	Reducer Nipple - 1/2" MPT x 3/8" MPT
64	B019200	Male Pioneer Tip - 1/2" FPT
65	C109029	Lift Arm - 44" Tube (Dual Flight Hopper)
66	B0020246	5/8"x 9 3/8" Eye bolt (Truss Cable)
67	B011205	P215-75R15 Tire & Rim
68	B198363	Boot Clean-Out Door
69	C100872	Swing Stop Weld
70	B0210362	5/16" Rapid Chain Link (Dual Flight Hopper)
71	B002125	3/4 Ton Chain Hook (Dual Flight Hopper)
72	C100889	Small Swing Tube Spacer
73	B198361	Large Swing Tube Retainer
74	B008080	3/8" Cable Clamp
75	B008070	1/4" Cable Clamp
76	B198350	Lift Arm Pin
77	C109102	Bolted Swivel Plate
78	B0210305	1/2" Chain Link
79	SW1069	Lift Arm Spacer
80	SW1071	Transport Chain
81	B008085	1/2" Cable Clamp
82	B0275101	Round Manual Holder

10"X 70' TUBE & UNDERCARRIAGE ASSEMBLY - 10" MDSA AUGER
SERIAL NOS. 88000 - 94999



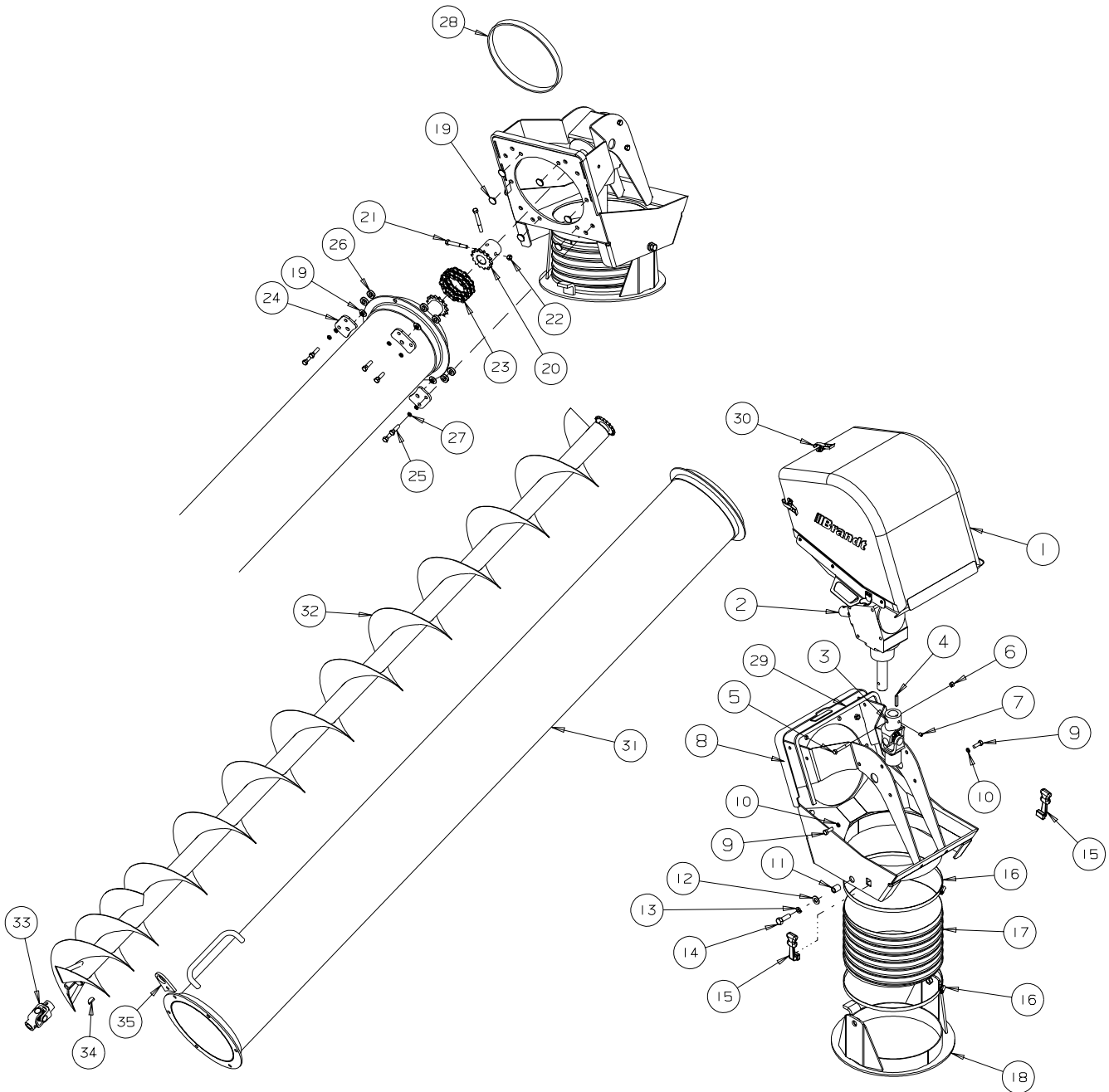
DETAIL B
WHEEL HUB ASSEMBLY

DETAIL C
LIFT ARM ASSEMBLY

#	PART #	DESCRIPTION
1	B198362	Boot Access Cover
2	B030500	Side Wind Jack
3	B003049	PTO Shaft - Constant Velocity
4	B027504	Boot Guard, MDSA Plastic
5	B009010	60-17 Sprocket - 1 1/4" Bore
6	B017200	Bearing - 1 1/4" - 2 Bolt
7	B009014	R60 Chain x 40 Pitch
8	B009028	60-17 Sprocket - 1 3/8" Bore
9	B017160	Bearing - 1 3/8" - 4 Bolt
10	B003015	1:1 Gearbox - 112° - 21 Spline
11	B198404M	10" Intake Boot - CV
12	C108890	70' x 10" Bottom Tube - MD
13	B198308CV	70' x 10" Bottom Flight - MD
14	C100934	Scissor Axle Weld
15	C200884L	Axle Arm - Left
16	C200884R	Axle Arm - Right
17	C200883R	Lift Arm - Right
18	C200897	Ladder
19	B001159	1" Flat Washer
20	C200900	Lift Cross
21	C200727	Transport Upright - Right
22	C200729	Transport Rest
23	B0191675	Hydra. Cylinder- 4"x 30" - 70'
NS	B019025	Seal Kit - 4" x 30" Cylinder
24	C200883L	Lift Arm - Left
25	B001075	1" Lock Nut
26	C200730	Transport Upright - Left
27	B0020188	5/8"x 4" Sq. U-bolt x 5 1/2" Lg
28	B0020184	5/8"x 6" Sq. U-bolt x 3 1/2" Lg
29	C200666	Suspension Bolt
30	B019178	Hydraulic Cylinder Pin
31	B011005	4 Bolt Hub Complete c/w Bearings
32	B011012	Spindle Only
33	B011604	Seal - 4 Bolt Hub
34	B011603	Inner Cone - 4 Bolt Hub - LM67048
35	B011602	Inner Cup - 4 Bolt Hub - LM67010
36	B011605	Hub Only c/w Cups - 4 Bolt Hub
37	B011600	Outer Cup - 4 Bolt Hub - LM11910
38	B011601	Outer cone - 4 Bolt Hub - LM11949
39	B011676	3/4" Flatwasher - 4 Bolt Hub
40	B011677	3/4" Castle Nut - 4 Bolt Hub
41	B011500	Dust Cap - 4 Bolt Hub
42	B030200	1500 lb. Brake Winch

#	PART #	DESCRIPTION
43	C109104	Pulley Mount Weld
44	B198351	Saddle Retainer Pin
45	B394712	3" OD x 1/4" Cable Sheave (2 Req'd)
46	B194186	1/4" dia. Aircraft Cable x 29' Long
47	B021605	Plastic Hose Holder
48	B011016	15" Rim - 4 Bolt (2 Req'd)
49	B011504	Wheel Bolt
50	C107888	Upper Tube Weld - 70'
51	B198009	Upper Flight Weld - 60' & 70'
52	C107050	Large Truss Tower
53	B008310	1/2"x 54' Aircraft Cable - 70'
54	B008308	3/8"x 32'-6" Aircraft Cable - 70'
55	B017090	1 1/4" Bearing - 4 Bolt
56	B198340	Bearing Safety Cover
57	B194008M	11" Booster Flight
58	B198353	Winch Bracket
59	B019416	Restrictor- #6 MORB x #6 MJIC - 1/16" Dia
60	B019288	3/8" Hydra. Hose x 48' - 3/8" MPT x #6 FJIC
61	B0193051	Breather - #6 MORB, 10 micron
62	B019300	Ball Valve - 3/8" FPT
63	B019516	Reducer Nipple - 1/2" MPT x 3/8" MPT
64	B019200	Male Pioneer Tip - 1/2" FPT
65	C109029	Lift Arm - 44" Tube (Dual Flight Hopper)
66	B0020246	5/8"x 9 3/8" Eye bolt (Truss Cable)
67	B011205	P215-75R15 Tire & Rim
68	B198363	Boot Clean-Out Door
69	C100872	Swing Stop Weld
70	B0210362	5/16" Rapid Chain Link (Dual Flight Hopper)
71	B002125	3/4 Ton Chain Hook (Dual Flight Hopper)
72	C100889	Small Swing Tube Spacer
73	B198361	Large Swing Tube Retainer
74	C107052	Small Truss Tower Top
75	C107051	Small Truss Tower Side
76	B008085	1/2" Cable Clamp
77	B008080	3/8" Cable Clamp
78	B008070	1/4" Cable Clamp
79	B198350	Lift Arm Pin
80	C109102	Bolted Swivel Plate
81	B0210305	1/2" Chain Link
82	SW1069	Lift Arm Spacer
83	SW1071	Transport Chain
84	B008085	1/2" Cable Clamp
85	B0275101	Round Manual Holder

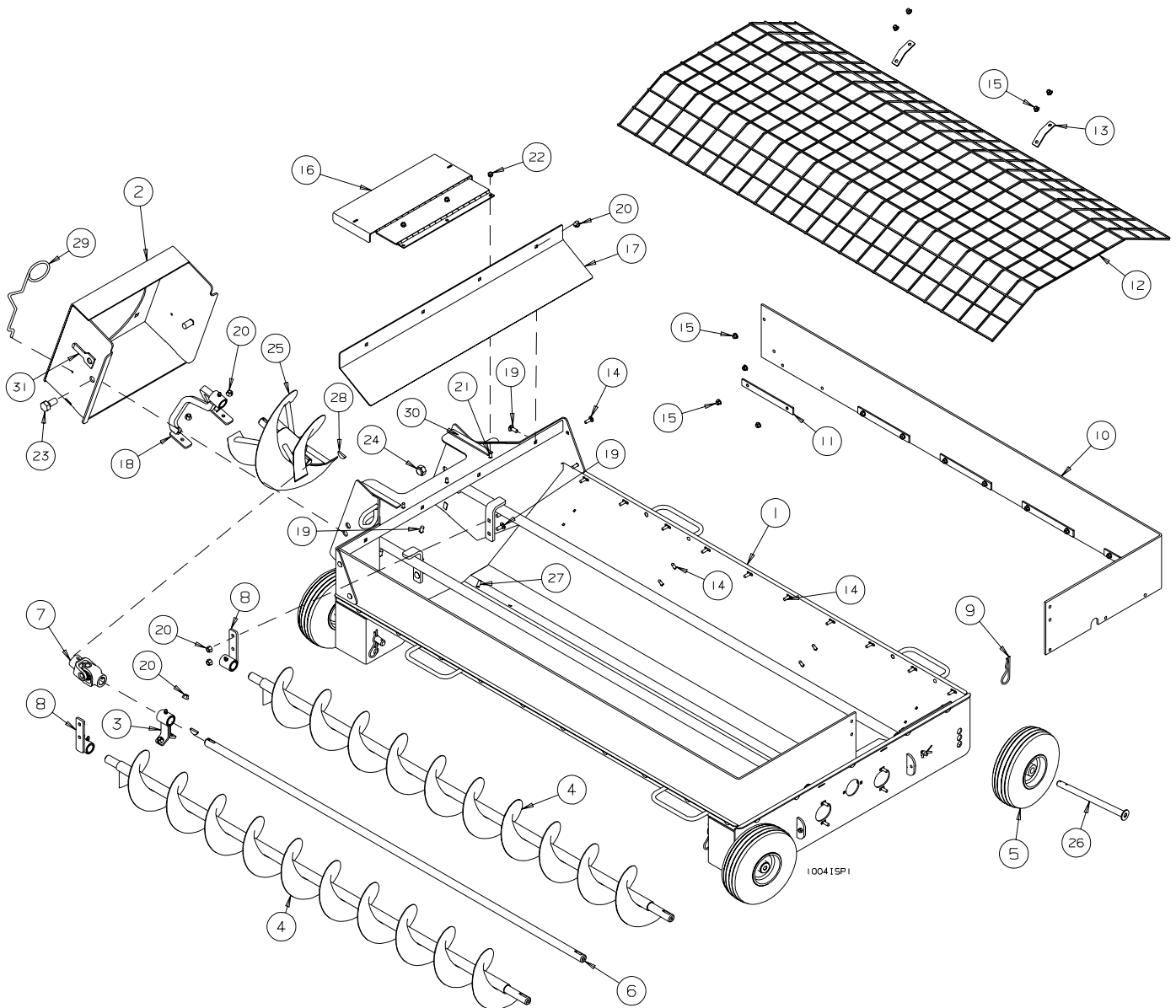
DUAL FLIGHT SWING TUBE ASSEMBLY - 10" MDSA AUGER
SERIAL NOS. 88000 - 94999



10041SP4

REF #	PART NO.	DESCRIPTION
1	C106876	Plastic Spout Cover Assembly
NS	B0275036	Plastic Spout Cover Only
2	B003014	Upper Gear Box - 10"
3	B032135	U-joint - 1 1/4" Dia x 21 Spline
4	B689169	1/4" Key x 1 1/2" Long
5	B001015	5/16"x 2 1/2" Bolt
6	B0011275	5/16" Stover Lock Nut
7	B002041	3/8" x 3/8" Set Screw
8	C105867	10" Spout Weldment
9	B001024	3/8" x 1" Bolt
10	B001165	3/8" Lock Washer
11	C100869	Swivel Bushing
12	B001152	1/2" SAE Flatwasher
13	B001167	1/2" Lock Washer
14	B001040	1/2" x 1 1/4" Bolt
15	B0219992	Rubber Latch
16	B024213	13" Hose Clamp
17	C100879	Downspout Hose - 12" Dia x 12" Long
18	C100868	Lower Swivel Weldment
19	B027500	Plastic Wear Bushing
20	B0090024	50- 18 Sprocket x 1 1/4" Bore
21	B0010337	3/8" x 3" Bolt Gr.8
22	B001132	3/8" Lock Nut
23	B0096017	R50-2 x 18 Pitch Roller Chain
24	C100870	Retainer Plate
25	B001025	3/8" x 1 1/4" Bolt
26	B027499	Plastic Spacer Bushing
27	B001165	3/8" Lockwasher
28	C103953	10" Spout Seal Foam
29	SW1015	Spout Cover Seal
30	B021110	Small Latch Assembly
31	C104015	10" Dual Flight Swing Tube
32	C104011	10" Dual Swing Tube Flight
33	B0321125	1" x 1" U-Joint - 6R
34	B009700	1.25" x .25" Woodruff Key - #810
35	C109096	10" Lift Lug

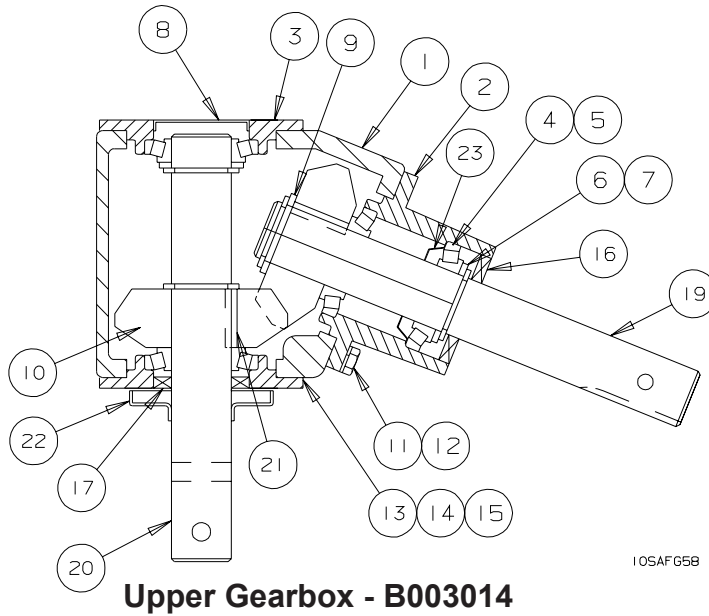
DUAL FLIGHT SWING HOPPER ASSEMBLY - 10" MDSA AUGER
SERIAL NOS. 88000 - 94999



REF #	PART NO.	DESCRIPTION
1	C104001	Swing Hopper Weldment
2	C104000	10" Hopper Transition
3	C104004	Hopper Driveshaft Bearing
4	C104009	Hopper Flight
5	B011046	10" Dia Hopper Tire & Rim - Extended Hub
6	C104006	10" Hopper Driveshaft - 72 7/16" lg.
7	B0321125	1" x 1" U-Joint - 6R
8	C104005	Flight Hanger
9	B002091	.177" x 3 3/4" Hair Pin Clip
10	B0210415	Rubber Hopper Extension
11	B198071	Aluminum Hold Down Strap
12	C104010	Hopper Safety Grate
13	B198358	Hopper Mesh Retainer
14	B0010811	5/16" x 1" Carriage Bolt
15	B0011276	5/16" Flange Lock Nut
16	C104013	Transition Cover
17	C104012	Baffle Plate
18	C104007	10" Transition Flight Mount
19	B001082	3/8" x 1" Carriager Bolt
20	B001405	3/8" Serrated Flange Nut
21	B001081	5/16" x 3/4" Carriage Bolt
22	B001127	5/16" Lock Nut
23	B001099	3/4" x 1 1/2" Bolt
24	B001143	3/4" Lock Nut
25	C104016C	10" Transition Flight- Chromed
26	B198856	Hopper Wheel Pin
27	B001433	3/8" x 1" Serrated Flange Bolt
28	B009700	1.25" x .25" Woodruff Key - #810
29	B021086	Cover Hold Down Spring
30	C104022	Hopper Foam Seal
31	C109562	Spring Retainer Clip

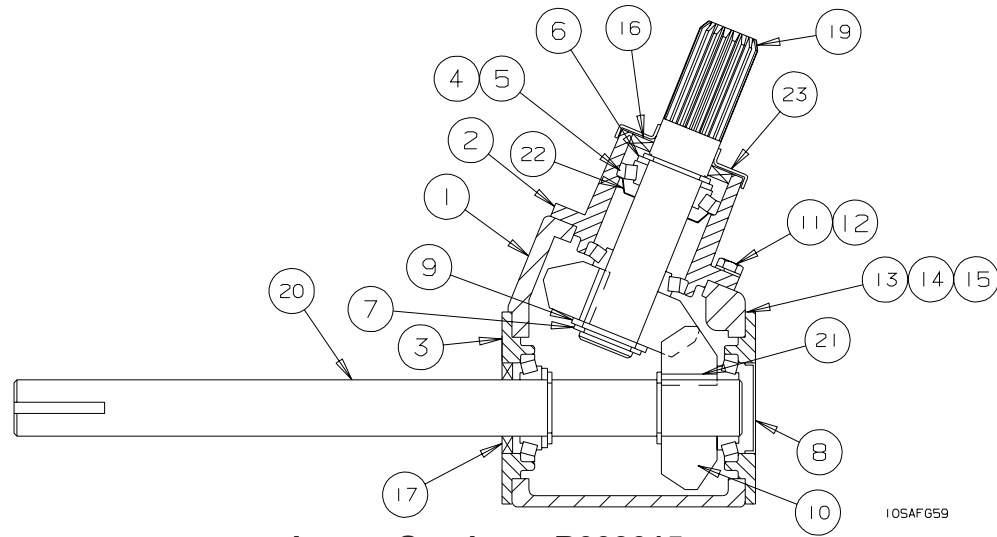
REF #	PART NO.	DESCRIPTION
1	C104017	Chain Tension Plate
2	B0010213	5/16" x 2" Full Thread Bolt
3	B001126	5/16" Nut
4	B017111	1" - 2 Bolt Flangette Bearing
5	B0010811	5/16" x 1" Carriage Bolt
6	B0011276	5/16" Locking Flange Nut
7	B009700	1.25" x .25" Woodruff Key - #810
8	B002073	1 1/2" OD x 1" ID x 10 Ga Machinery Bushing
9	B0090022	50-15 Double Sprocket - 1" Bore
10	B0090019	50-21 Sprocket - 1" Bore
11	B0020718	1 1/4" OD x 3/8" ID Washer
12	B001165	3/8" Lockwasher
13	B0010225	3/8" x 5/8" Bolt
14	B0090052	R50 x 35 Pitch Roller Chain
15	C104021	Hopper Chain Guard
16	B001129	5/16" Wing Nut

UPPER GEARBOX - 10" MDSA AUGER
SERIAL NOS. 88000 - 94999



REF #	PART NO.	DESCRIPTION
1	B191221	Gearbox Case
2	B191222	Bearing Housing-Sealed
3	B191223	Bearing Housing
4	B011603	Bearing Cone
5	B011602	Bearing Cup
6	B882237	Spacer
7	B191225	Snap Ring
8	B882231	Bearing Cap Plug
9	B191237	Shim - .007" x 1.25" ID
10	B191232	Gear 68 degree cut
11	B001009	5/16" x 3/4 Bolt
12	B001164	5/16" Lockwasher
13	B781357B	Shim - .005"
14	B781357N	Shim - .0075"
15	B781357Y	Shim - .010"
16	B882230	Seal
17	B882228	Seal
18	B781364	Pipe Plug- 1/4" NPT
19	B191226	Pinion Shaft
20	B191227	Cross Shaft
21	B781356	Key
22	B191235	Seal Shield
23	B191233	Grease Washer

LOWER GEARBOX - 10" MDSA AUGER
SERIAL NOS. 88000 - 94999

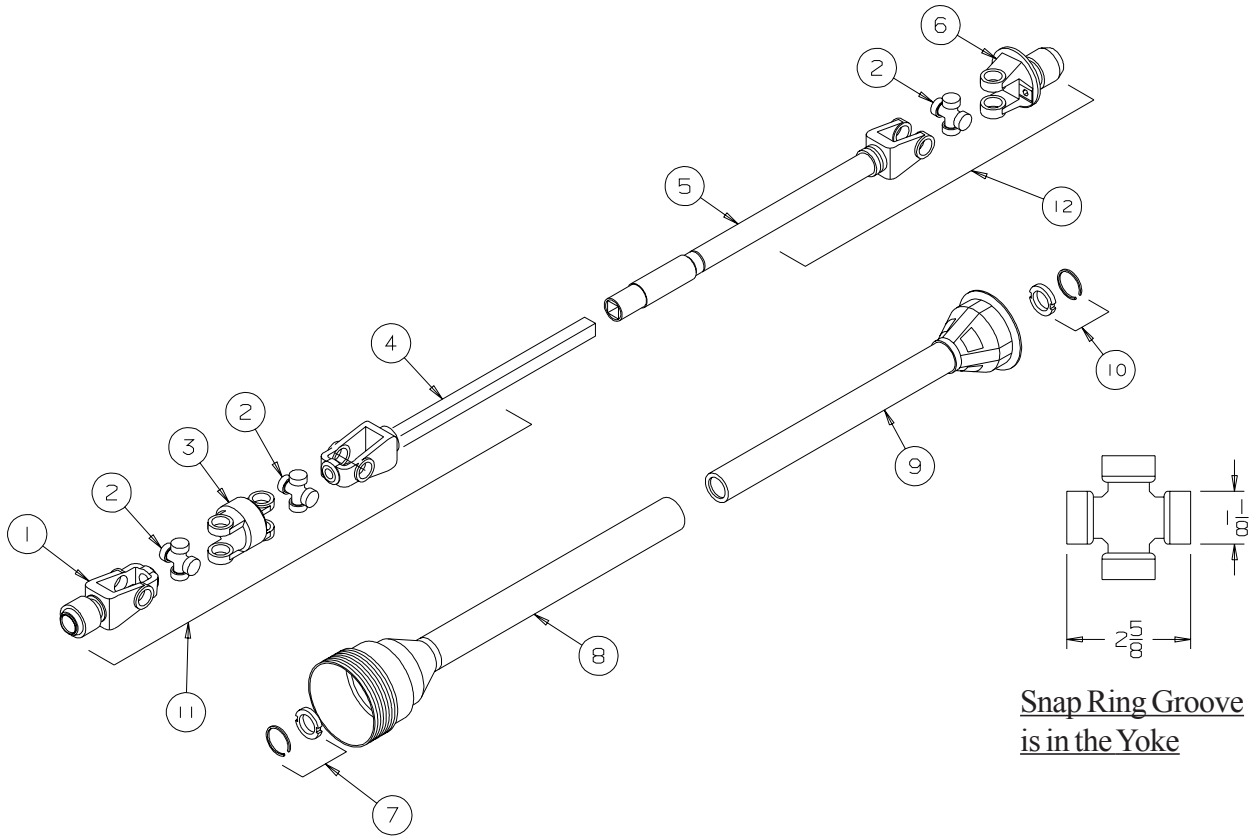


Lower Gearbox - B003015

REF #	PART NO.	DESCRIPTION
1	B191221	Gearbox Case
2	B191222	Bearing Housing-Sealed
3	B191223	Bearing Housing
4	B011603	Bearing Cone
5	B011602	Bearing Cup
6	B882237	Spacer
7	B191225	Snap Ring
8	B882231	Bearing Cap Plug
9	B191237	Shim - .007" x 1.25" ID
10	B191232	Gear 68 degree cut
11	B001009	5/16" x 3/4 Bolt
12	B001164	5/16" Lockwasher
13	B781357B	Shim - .005"
14	B781357N	Shim - .0075"
15	B781357Y	Shim - .010"
16	B191228	Seal
17	B882228	Seal
18	B781364	Pipe Plug- 1/4" NPT
19	B191230	Pinion Shaft
20	B191231	Cross Shaft
21	B781356	Key
22	B191233	Grease Washer
23	B191234	Seal Shield

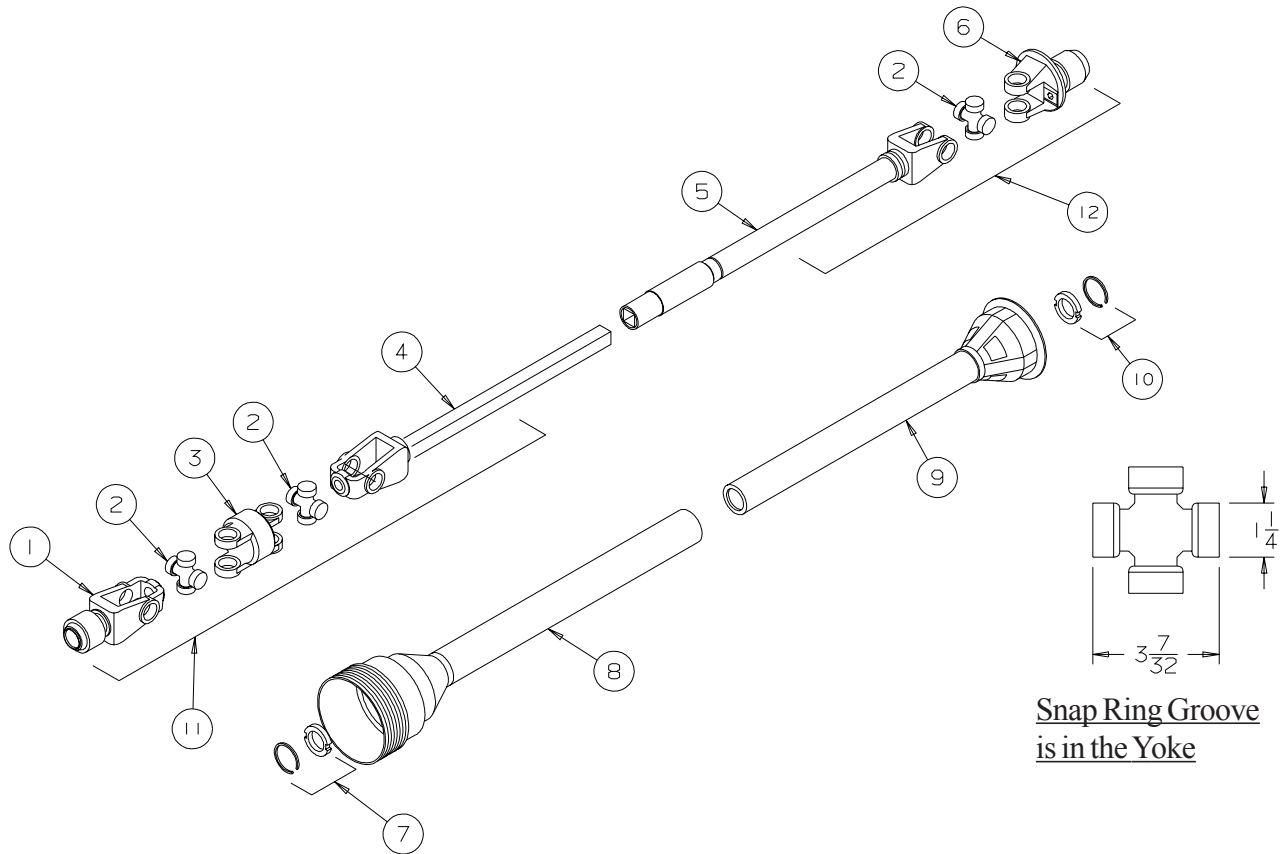
WEASLER SERIES 14R - 50 CV

B003049 - 8" & 10" MECHANICAL DRIVE SWING AWAY AUGERS



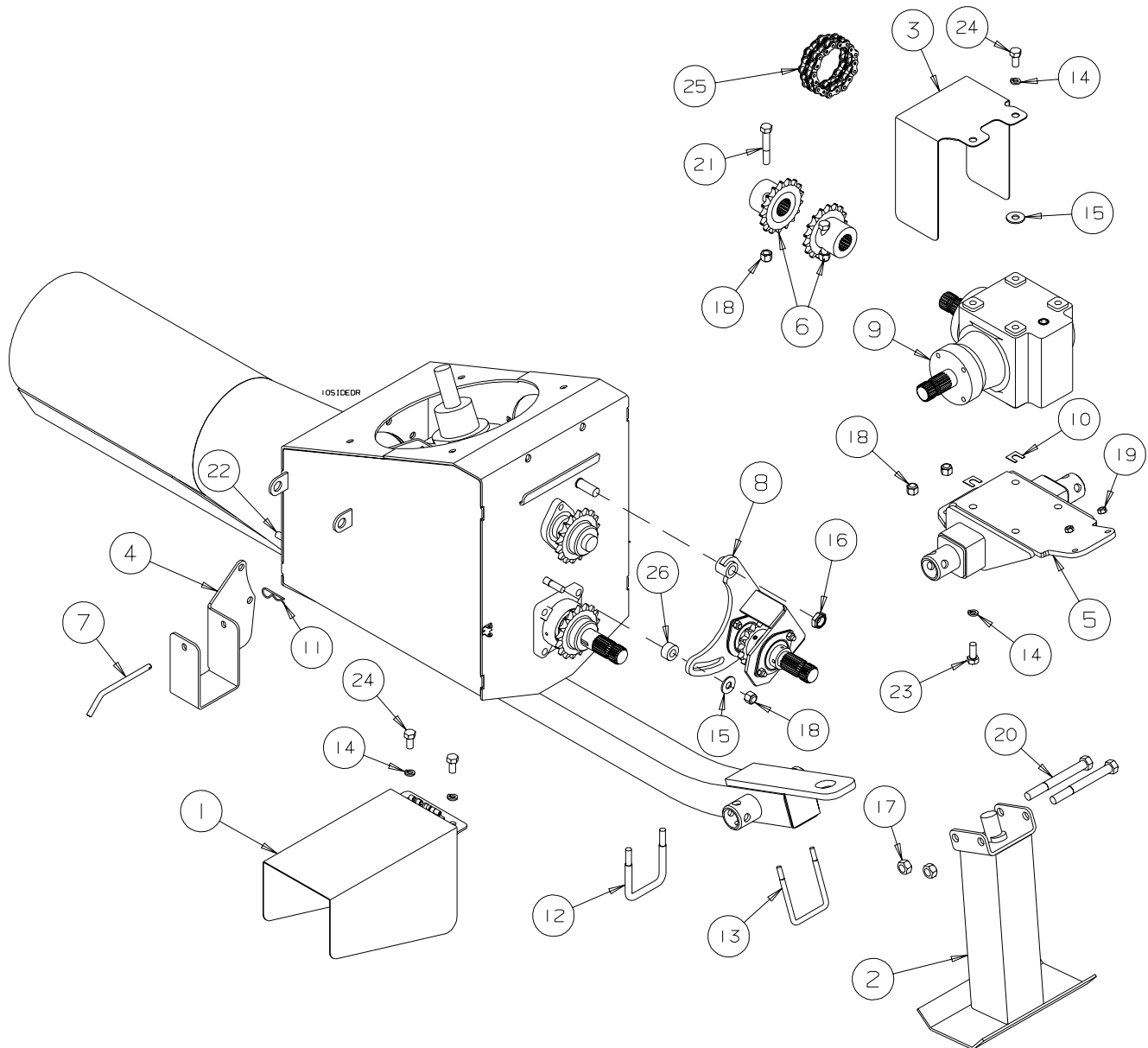
REF #	PART NO.	DESCRIPTION	QTY.
1	B003730	Implement Yoke - 21 Spline	1
2	B003710	Cross & Bearing Kit	3
3	B003731	Centre Housing	1
4	B003732	Output Yoke & Shaft - CV End	1
5	B003733	Input Yoke & Tube - Implement End	1
6	B003734	Shear Yoke Assembly - 6 Spline	2
7	B003738	Shield Bearing - CV End	1
8	B003736	Outer Shield	1
9	B003737	Inner Shield	1
10	B003776	Shield Bearing - Tractor End	1
11	B003049A	Implement Half of Shaft c/w Guard - 21 Spline	1
12	B003049T	Tractor Half of Shaft c/w Guard - 6 Spline	1
NS	B003100	Shear Bolt - 3/8" x 1" Gr.5	1
NS	B003101	Shear Nut - 3/8" Stover Lock Nut	1

WEASLER SERIES 35R - 50 CV
B0030491 - 10" HD MECHANICAL DRIVE SWING AWAY AUGERS



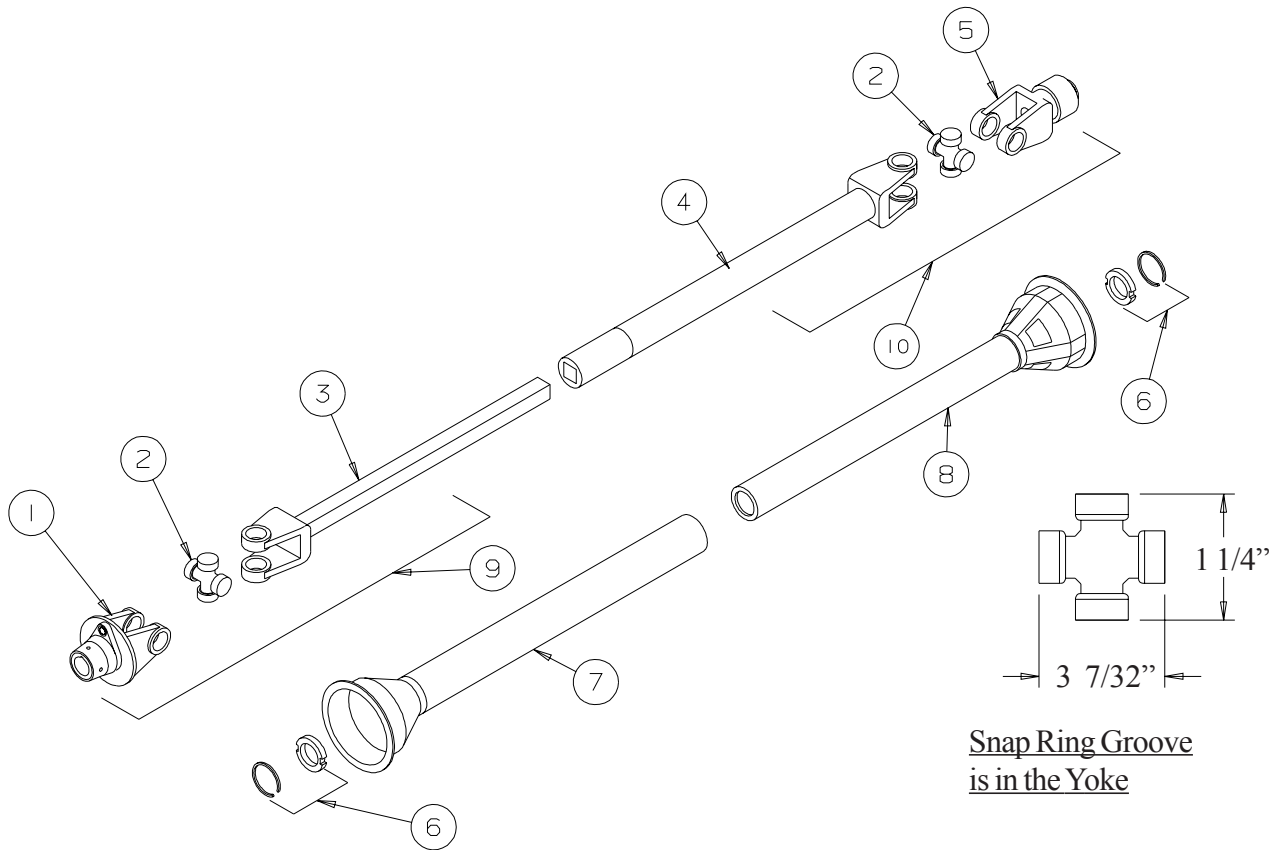
REF #	PART NO.	DESCRIPTION	QTY.
1	B003740	Implement Yoke - 21 Spline	1
2	B003715	Cross & Bearing Kit	3
3	B003741	Centre Housing	1
4	B003872	Output Yoke & Shaft - CV End	1
5	B003873	Input Yoke & Tube - Implement End	1
6	B003744	Shear Yoke Assembly - 6 Spline	2
7	B003738	Shield Bearing - CV End	1
8	B003876	Outer Shield	1
9	B003877	Inner Shield	1
10	B003745	Shield Bearing - Tractor End	1
11	B003870	Implement Half of Shaft c/w Guard - 21 Spline	1
12	B003871	Tractor Half of Shaft c/w Guard - 6 Spline	1
NS	B0010101	Shear Bolt - 5/16" x 1" Gr.8	1
NS	B003103	Shear Nut - 5/16" Stover Lock Nut	1

SIDE DRIVE KIT - 10" MDSA AUGER
SERIAL NOS. 88000 - 94999



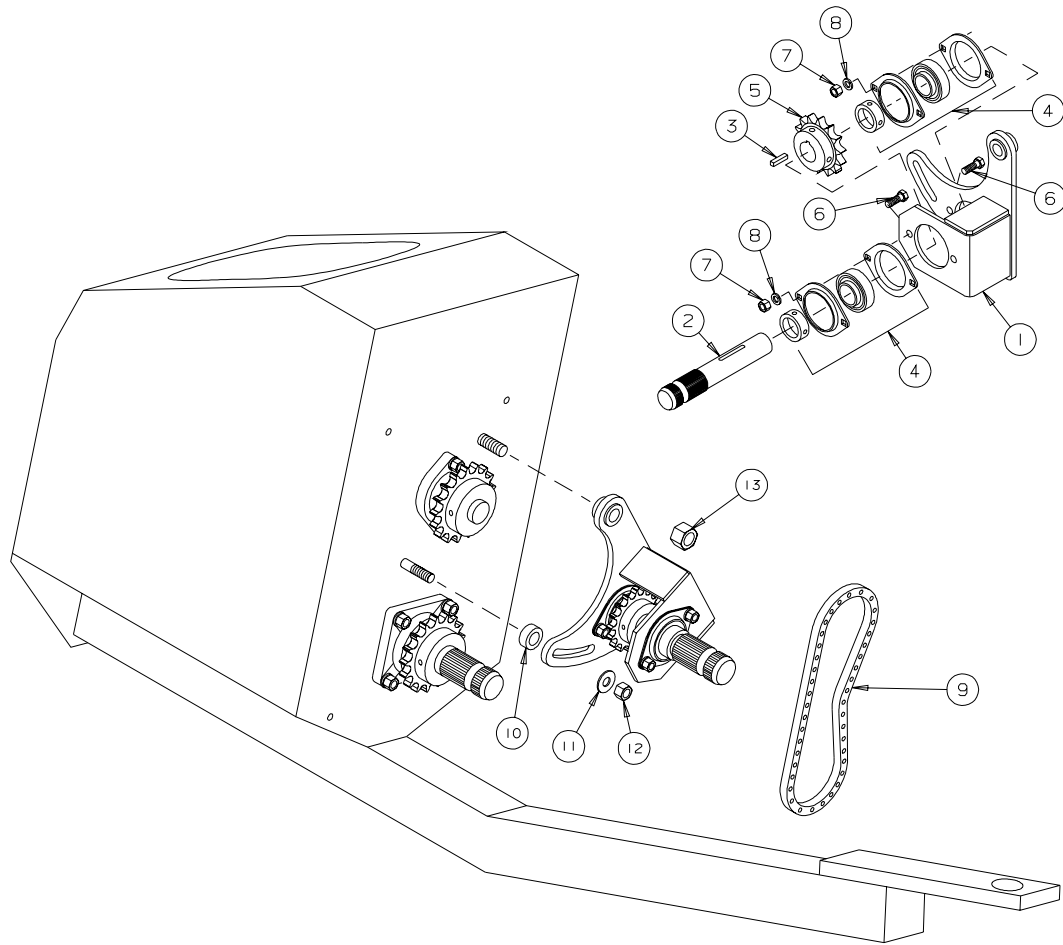
REF #	PART NO.	DESCRIPTION
1	C107074	PTO Guard
2	C107048	Hitch Stand
3	C107047	Coupler Guard
4	C107046	PTO Holder
5	C107045	Gearbox Mount
6	C107044	Coupler Sprocket - 60-17 x 1 3/8" - 21 Spline
7	B496655	PTO Storage Keeper Pin
8	B194210	10" Reverser Assembly
9	B0030281	Gearbox - 10" MDSA Side Drive
10	B002540	Body Shim - 33/64" x 1/32" thick
11	B002092	Hairpin Clip - .094" x 2 1/4"
12	B002017	1/2" x 3 1/8" U-bolt x 4 3/8" long
13	B0020131	3/8" x 3 1/8" U-bolt x 4 9/16" long
14	B001167	1/2" Lockwasher
15	B001151	1/2" Flatwasher
16	B001144	3/4" Locking Jam Nut
17	B001139	5/8" Hex Nut
18	B001136	1/2" Lock Nut
19	B0011325	3/8" Stover Lock Nut
20	B0010746	5/8" x 6" Bolt
21	B001048	1/2" x 3" Bolt
22	B001042	1/2" x 1 1/2" Bolt
23	B001040	1/2" x 1 1/4" Bolt
24	B001039	1/2" x 1" Bolt
25	B009590	60-2 Roller Chain x 17 pitch
26	B194201	Reverser Spacer Bushing
NS	B0030471	PTO Shaft - 10" MDSA Side Drive

WEASLER SERIES 35E
B0030471 - 10" MDSA AUGER - SIDE DRIVE



REF #	PART NO.	DESCRIPTION	QTY.
1	B00304718	Shear Yoke - 6 Spline	1
2	B0037151	Cross & Bearing Kit	2
3	B00304713	Yoke & Shaft Ass'y	1
4	B00304714	Yoke & Tube Ass'y	1
5	B003807	Yoke Assembly - 21 Spline	1
6	B003906	Shield Bearing	2
7	B00304715	Outer Shield	1
8	B00304716	Inner Shield	1
9	B00304711	Tractor Half of Shaft c/w Guard - 6 Spline	1
10	B00304712	Implement Half of Shaft c/w Guard - 21 Spline	1
NS	B001003	Shear Bolt - 1/4" x 1" Bolt	2
NS	B0011245	Shear Nut - 1/4" Stover Lock Nut	2

REVERSING KIT - 10" MDSA AUGER
SERIAL NOS. 88000 - 94999



REF #	PART NO.	DESCRIPTION
1	B194200	Reverser - Main Bracket
2	B032203	Reverser - Splined Shaft
3	B185206	1/4" Key x 1 1/8" Long
4	B017120	Bearing - 1 1/4" dia - 2 Bolt Flangette
5	B009027	60-14 Sprocket - 1 1/4" Bore
6	B001024	3/8" x 1" Hex Bolt
7	B001131	3/8" Hex Nut
8	B001165	3/8" Lockwasher
9	NPN	R60 Chain x 41 Pitch
10	B194201	1/2" Spacer Bushing
11	B001151	1/2" Flatwasher
12	B001136	1/2" Locknut
13	B001144	3/4" Locknut