

















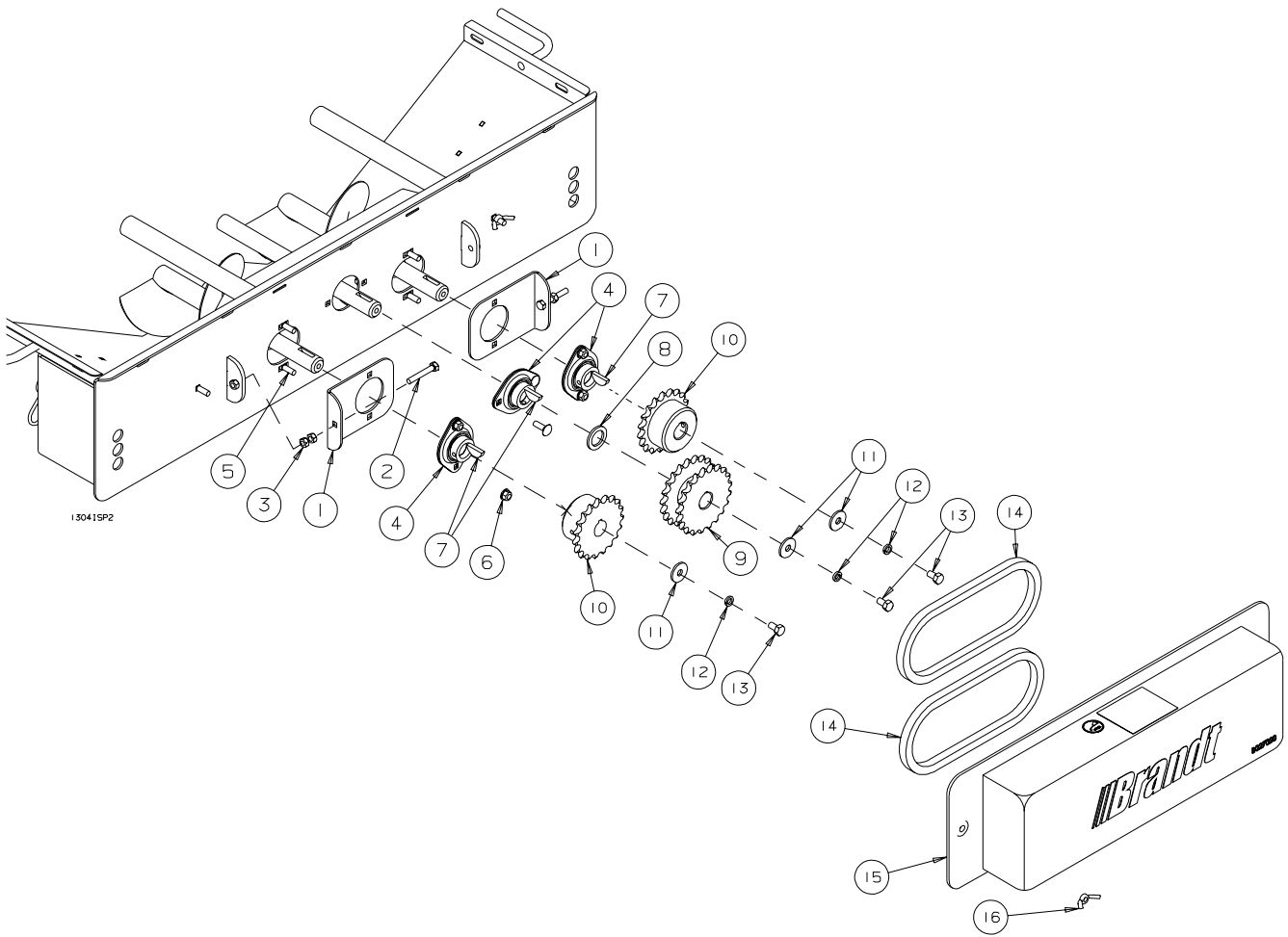


REF #	PART NO.	DESCRIPTION
1	C104001	Swing Hopper Weldment
2	C104000	10" Hopper Transition
3	C104004	Hopper Driveshaft Bearing
4	C104009	Right Hopper Flight
5	B011041	10" Dia Hopper Tire & Rim - 3/4" Bore
6	C104006	10" Hopper Driveshaft - 72 7/16" lg.
7	B0321125	1" x 1" U-Joint - 6R
8	C104005	Flight Hanger
9	B002091	.177" x 3 3/4" Hair Pin Clip
10	B0210415	Rubber Hopper Extension
11	B198071	Aluminum Hold Down Strap
12	C104010	Hopper Safety Grate
13	B198358	Hopper Mesh Retainer
14	B0010811	5/16" x 1" Carriage Bolt
15	B0011276	5/16" Flange Lock Nut
16	C104013	Transition Cover
17	C104012	Baffle Plate
18	C104007	10" Transition Flight Mount
19	B001082	3/8" x 1" Carriager Bolt
20	B001405	3/8" Serrated Flange Nut
21	B001081	5/16" x 3/4" Carriage Bolt
22	B001127	5/16" Lock Nut
23	B001099	3/4" x 1 1/2" Bolt
24	B001143	3/4" Lock Nut
25	C104016	10" Transition Flight
26	B198856	Hopper Wheel Pin
27	B001433	3/8" x 1" Serrated Flange Bolt
28	B009700	1.25" x .25" Woodruff Key - #810
29	B021086	Cover Hold Down Spring
30	B198855	Hopper Wheel Spacer
31	C104022	Hopper Foam Seal

---

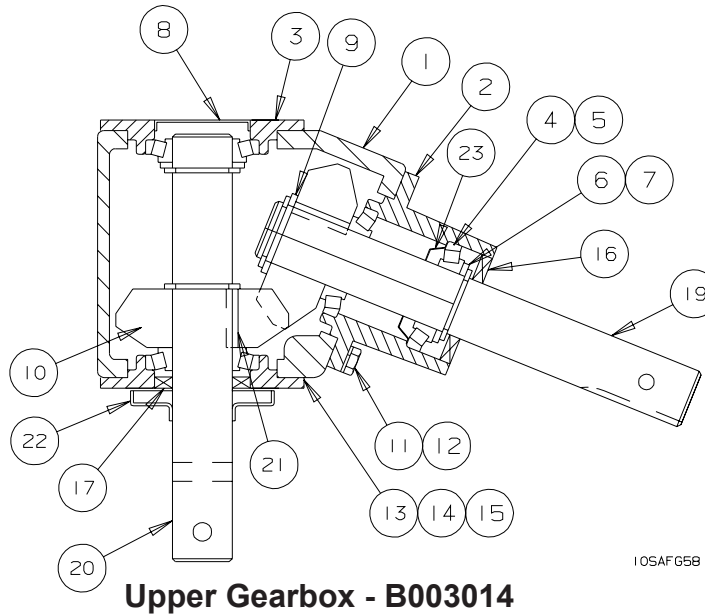
**DUAL FLIGHT SWING HOPPER DRIVE ASSEMBLY - 10" MDSA AUGER**  
**SERIAL NOS. 84000 - 87999**

---



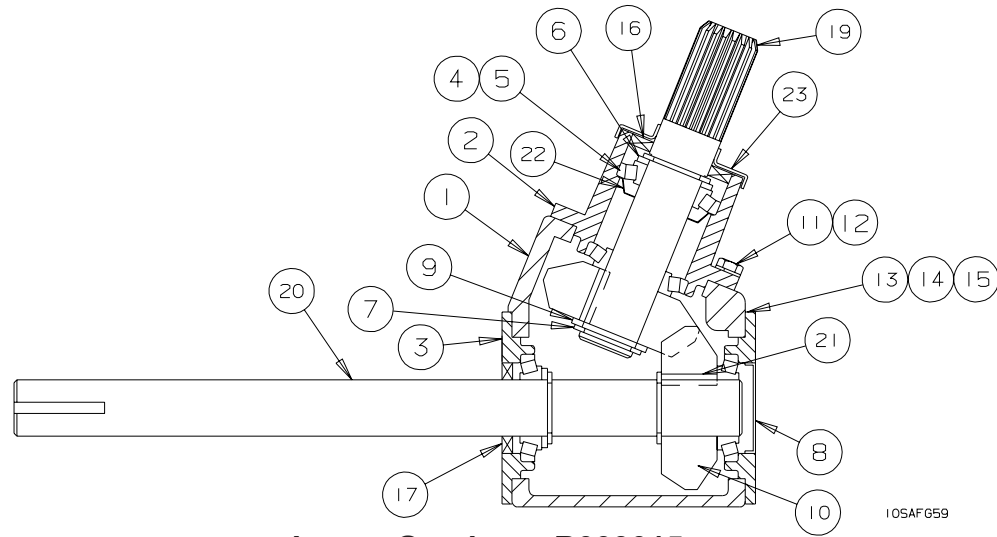
<b>REF #</b>	<b>PART NO.</b>	<b>DESCRIPTION</b>
1	C104017	Chain Tension Plate
2	B0010213	5/16" x 2" Full Thread Bolt
3	B001126	5/16" Nut
4	B017111	1" - 2 Bolt Flangette Bearing
5	B0010811	5/16" x 1" Carriage Bolt
6	B0011276	5/16" Locking Flange Nut
7	B009700	1.25" x .25" Woodruff Key - #810
8	B002073	1 1/2" OD x 1" ID x 10 Ga Machinery Bushing
9	B0090022	50-15 Double Sprocket - 1" Bore
10	B0090019	50-21 Sprocket - 1" Bore
11	B0020718	1 1/4" OD x 3/8" ID Washer
12	B001165	3/8" Lockwasher
13	B0010225	3/8" x 5/8" Bolt
14	B0090052	R50 x 35 Pitch Roller Chain
15	C104021	Hopper Chain Guard
16	B001129	5/16" Wing Nut

**UPPER GEARBOX - 10" MDSA AUGER**  
**SERIAL NOS. 84000 - 87999**



REF #	PART NO.	DESCRIPTION
1	B191221	Gearbox Case
2	B191222	Bearing Housing-Sealed
3	B191223	Bearing Housing
4	B011603	Bearing Cone
5	B011602	Bearing Cup
6	B882237	Spacer
7	B191225	Snap Ring
8	B882231	Bearing Cap Plug
9	B191237	Shim - .007" x 1.25" ID
10	B191232	Gear 68 degree cut
11	B001009	5/16" x 3/4 Bolt
12	B001164	5/16" Lockwasher
13	B781357B	Shim - .005"
14	B781357N	Shim - .0075"
15	B781357Y	Shim - .010"
16	B882230	Seal
17	B882228	Seal
18	B781364	Pipe Plug- 1/4" NPT
19	B191226	Pinion Shaft
20	B191227	Cross Shaft
21	B781356	Key
22	B191235	Seal Shield
23	B191233	Grease Washer

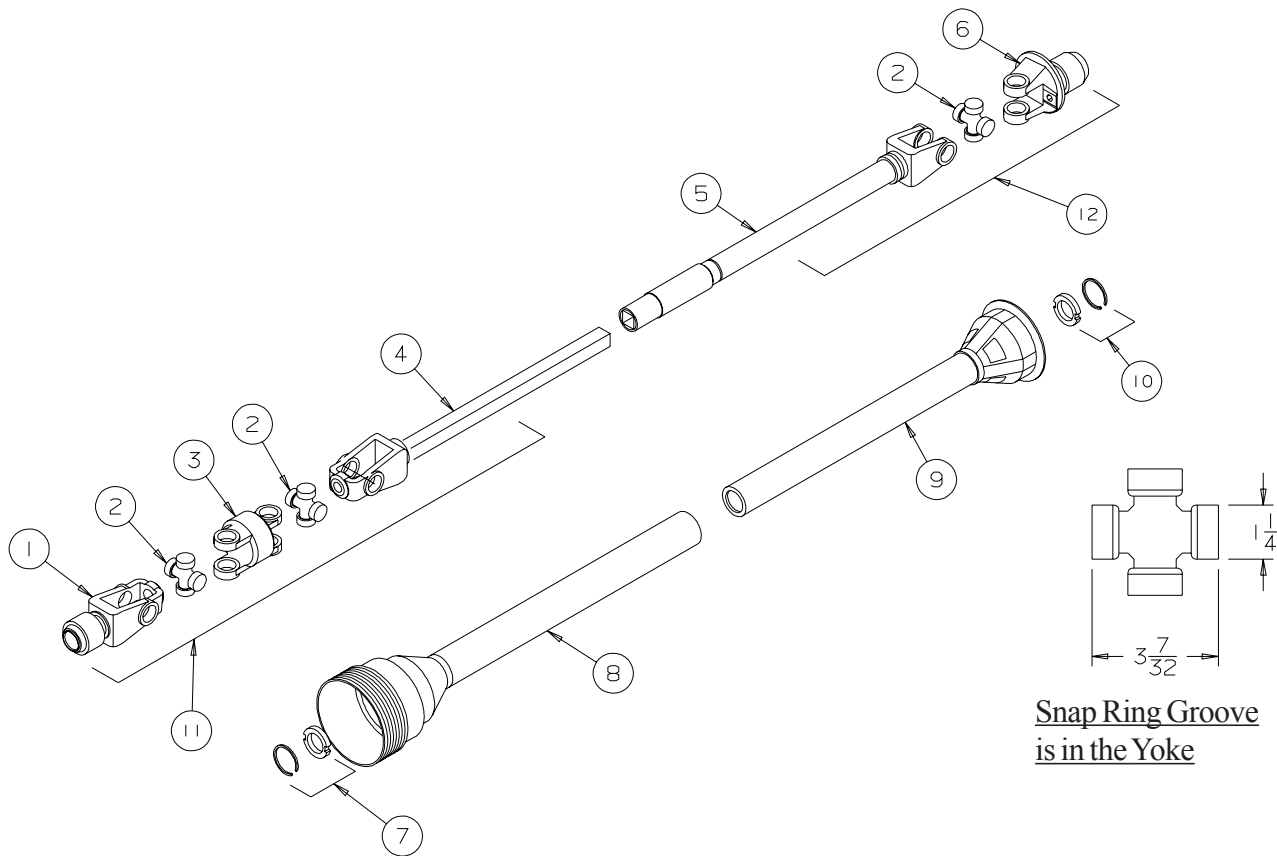
**LOWER GEARBOX - 10" MDSA AUGER**  
**SERIAL NOS. 84000 - 87999**



**Lower Gearbox - B003015**

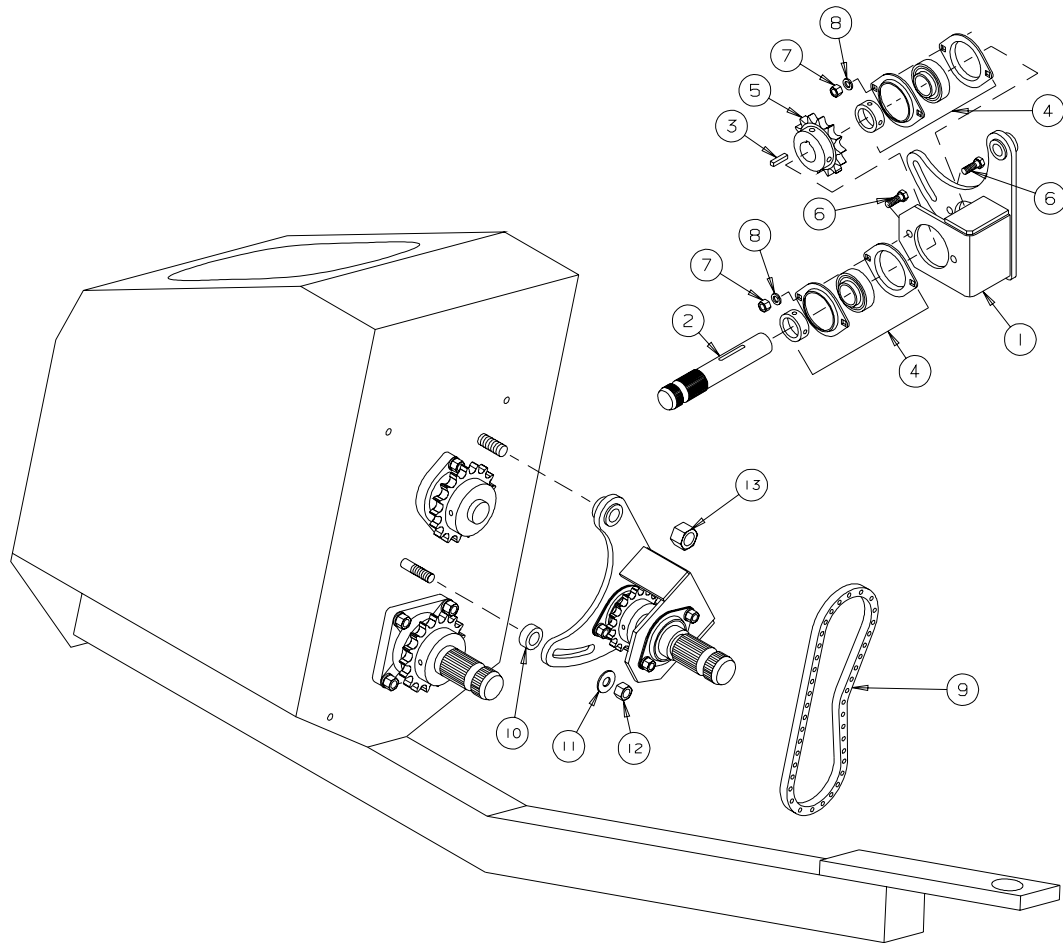
REF #	PART NO.	DESCRIPTION
1	B191221	Gearbox Case
2	B191222	Bearing Housing-Sealed
3	B191223	Bearing Housing
4	B011603	Bearing Cone
5	B011602	Bearing Cup
6	B882237	Spacer
7	B191225	Snap Ring
8	B882231	Bearing Cap Plug
9	B191237	Shim - .007" x 1.25" ID
10	B191232	Gear 68 degree cut
11	B001009	5/16" x 3/4 Bolt
12	B001164	5/16" Lockwasher
13	B781357B	Shim - .005"
14	B781357N	Shim - .0075"
15	B781357Y	Shim - .010"
16	B191228	Seal
17	B882228	Seal
18	B781364	Pipe Plug- 1/4" NPT
19	B191230	Pinion Shaft
20	B191231	Cross Shaft
21	B781356	Key
22	B191233	Grease Washer
23	B191234	Seal Shield

**WEASLER SERIES 35R - 50 CV**  
**B0030491 - 10" HD MECHANICAL DRIVE SWING AWAY AUGERS**



REF #	PART NO.	DESCRIPTION	QTY.
1	B003740	Implement Yoke - 21 Spline	1
2	B003715	Cross & Bearing Kit	3
3	B003741	Centre Housing	1
4	B003872	Output Yoke & Shaft - CV End	1
5	B003873	Input Yoke & Tube - Implement End	1
6	B003744	Shear Yoke Assembly - 6 Spline	2
7	B003738	Shield Bearing - CV End	1
8	B003876	Outer Shield	1
9	B003877	Inner Shield	1
10	B003745	Shield Bearing - Tractor End	1
11	B003870	Implement Half of Shaft c/w Guard - 21 Spline	1
12	B003871	Tractor Half of Shaft c/w Guard - 6 Spline	1
NS	B0010101	Shear Bolt - 5/16" x 1" Gr.8	1
NS	B003103	Shear Nut - 5/16" Stover Lock Nut	1

**REVERSING KIT - 10" MDSA AUGER**  
**SERIAL NOS. 84000 - 87999**

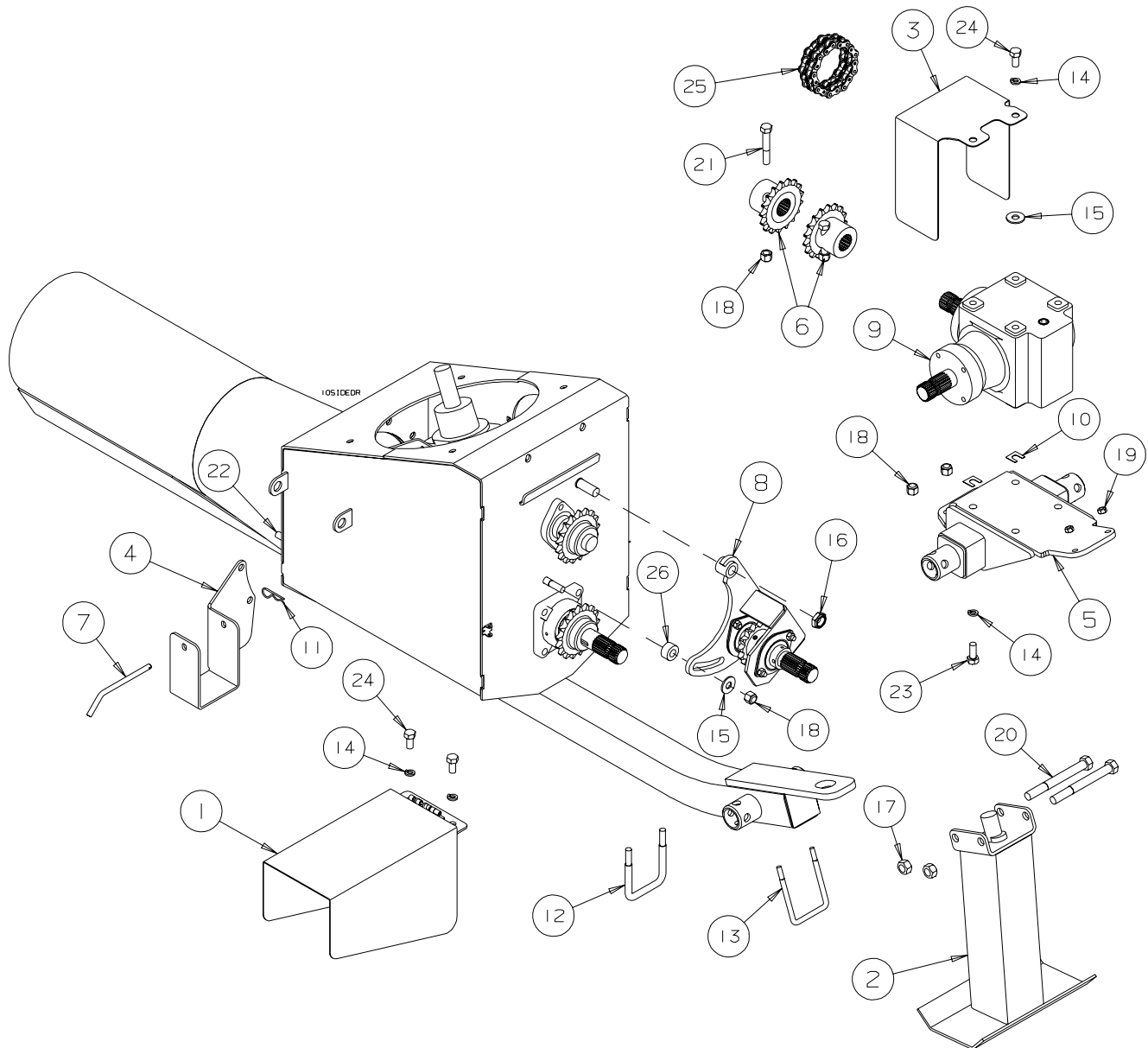


REF #	PART NO.	DESCRIPTION
1	B194200	Reverser - Main Bracket
2	B032203	Reverser - Splined Shaft
3	B185206	1/4" Key x 1 1/8" Long
4	B017120	Bearing - 1 1/4" dia - 2 Bolt Flangette
5	B009027	60-14 Sprocket - 1 1/4" Bore
6	B001024	3/8" x 1" Hex Bolt
7	B001131	3/8" Hex Nut
8	B001165	3/8" Lockwasher
9	NPN	R60 Chain x 41 Pitch
10	B194201	1/2" Spacer Bushing
11	B001151	1/2" Flatwasher
12	B001136	1/2" Locknut
13	B001144	3/4" Locknut

---

**SIDE DRIVE KIT - 10" MDSA AUGER**  
**SERIAL NOS. 84000 - 87999**

---





REF #	PART NO.	DESCRIPTION
1	C107074	PTO Guard
2	C107048	Hitch Stand
3	C107047	Coupler Guard
4	C107046	PTO Holder
5	C107045	Gearbox Mount
6	C107044	Coupler Sprocket - 60-17 x 1 3/8" - 21 Spline
7	B496655	PTO Storage Keeper Pin
8	B194210	10" Reverser Assembly
9	B0030281	Gearbox - 10" MDSA Side Drive
10	B002540	Body Shim - 33/64" x 1/32" thick
11	B002092	Hairpin Clip - .094" x 2 1/4"
12	B002017	1/2" x 3 1/8" U-bolt x 4 3/8" long
13	B0020131	3/8" x 3 1/8" U-bolt x 4 9/16" long
14	B001167	1/2" Lockwasher
15	B001151	1/2" Flatwasher
16	B001144	3/4" Locking Jam Nut
17	B001139	5/8" Hex Nut
18	B001136	1/2" Lock Nut
19	B0011325	3/8" Stover Lock Nut
20	B0010746	5/8" x 6" Bolt
21	B001048	1/2" x 3" Bolt
22	B001042	1/2" x 1 1/2" Bolt
23	B001040	1/2" x 1 1/4" Bolt
24	B001039	1/2" x 1" Bolt
25	B009590	60-2 Roller Chain x 17 pitch
26	B194201	Reverser Spacer Bushing
NS	B0030471	PTO Shaft - 10" MDSA Side Drive