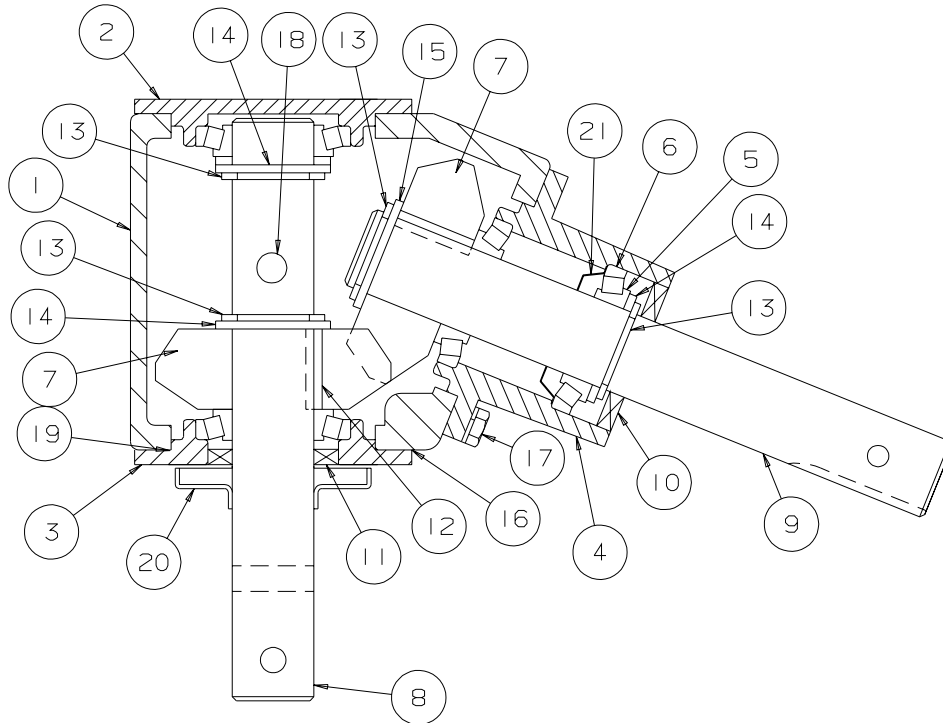


REF #	PART NO.	DESCRIPTION
1	C104017	Chain Tension Plate
2	B0010213	5/16" x 2" Full Thread Bolt
3	B001126	5/16" Nut
4	B017111	1" - 2 Bolt Flangette Bearing
5	B0010811	5/16" x 1" Carriage Bolt
6	B0011276	5/16" Locking Flange Nut
7	B009700	1.25" x .25" Woodruff Key - #810
8	B002073	1 1/2" OD x 1" ID x 10 Ga Machinery Bushing
9	B0090022	50-15 Double Sprocket - 1" Bore
10	B0090019	50-21 Sprocket - 1" Bore
11	B0020718	1 1/4" OD x 3/8" ID Washer
12	B001165	3/8" Lockwasher
13	B0010225	3/8" x 5/8" Bolt
14	B0090052	R50 x 35 Pitch Roller Chain c/w Offset & Connector Link
15	C104021	Hopper Chain Guard
16	B001129	5/16" Wing Nut
17	B0210011	1" ID Collar

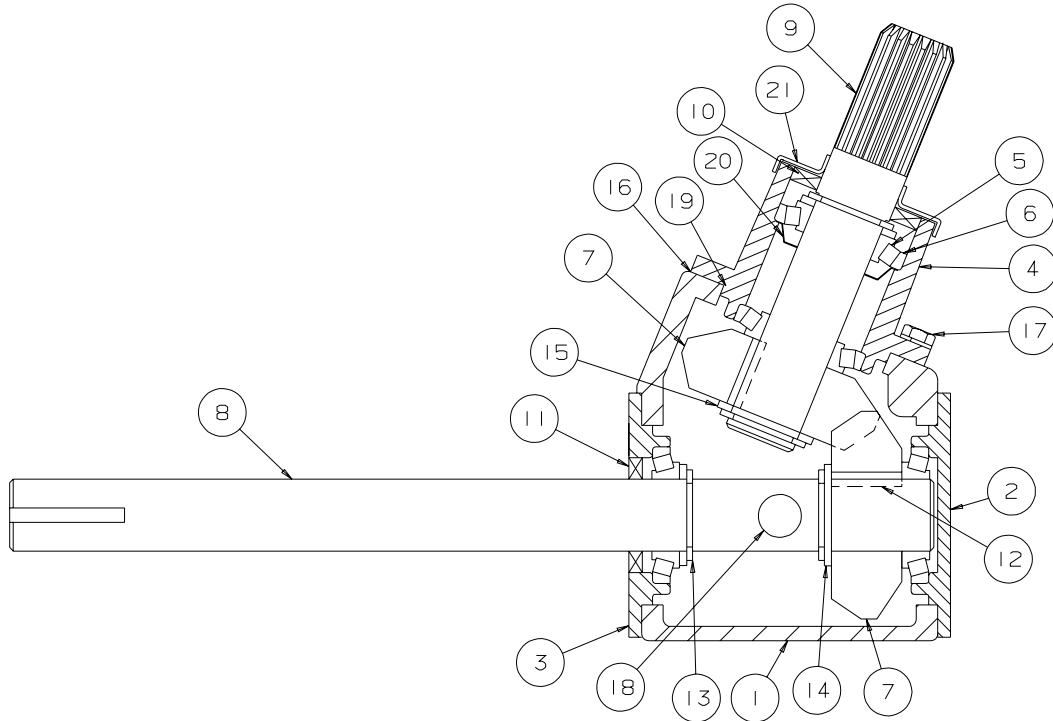
**UPPER GEARBOX - 10" MDSA AUGER
SERIAL NOS. 95000 - 100499**



Upper Gearbox - B003014

REF #	PART NO.	DESCRIPTION	QTY
1	B00301401	Gearbox Case	1
2	B00301402	End Cap - Closed	1
3	B00301403	End cap - Open	1
4	B00301404	Gearbox Quill Cap	1
5	B011603	Bearing Cone - LM67048	4
6	B011602	Bearing Cup - LM67010	4
7	B00301407	Gear	2
8	B00301408	Output Shaft	1
9	B00301409	Input Shaft	1
10	B00301410	Input Shaft Seal	1
11	B00301411	Output Shaft Seal	1
12	B00301412	Square Key - 1/4" x .9" lg	1
13	B00301413	Snap Ring	4
14	B00301414	Spacer	3
15	B00301415	Spacer	1
16	B00301416	Gasket	AR
17	B001009	5/16" x 3/4" Bolt	12
18	B00301418	9/16" Pipe Plug c/w O-ring	2
19	B00301419	O-ring - 71mm x 1.8mm	3
20	B00301420	Debris Shield	1
21	B00301421	Grease Washer	1

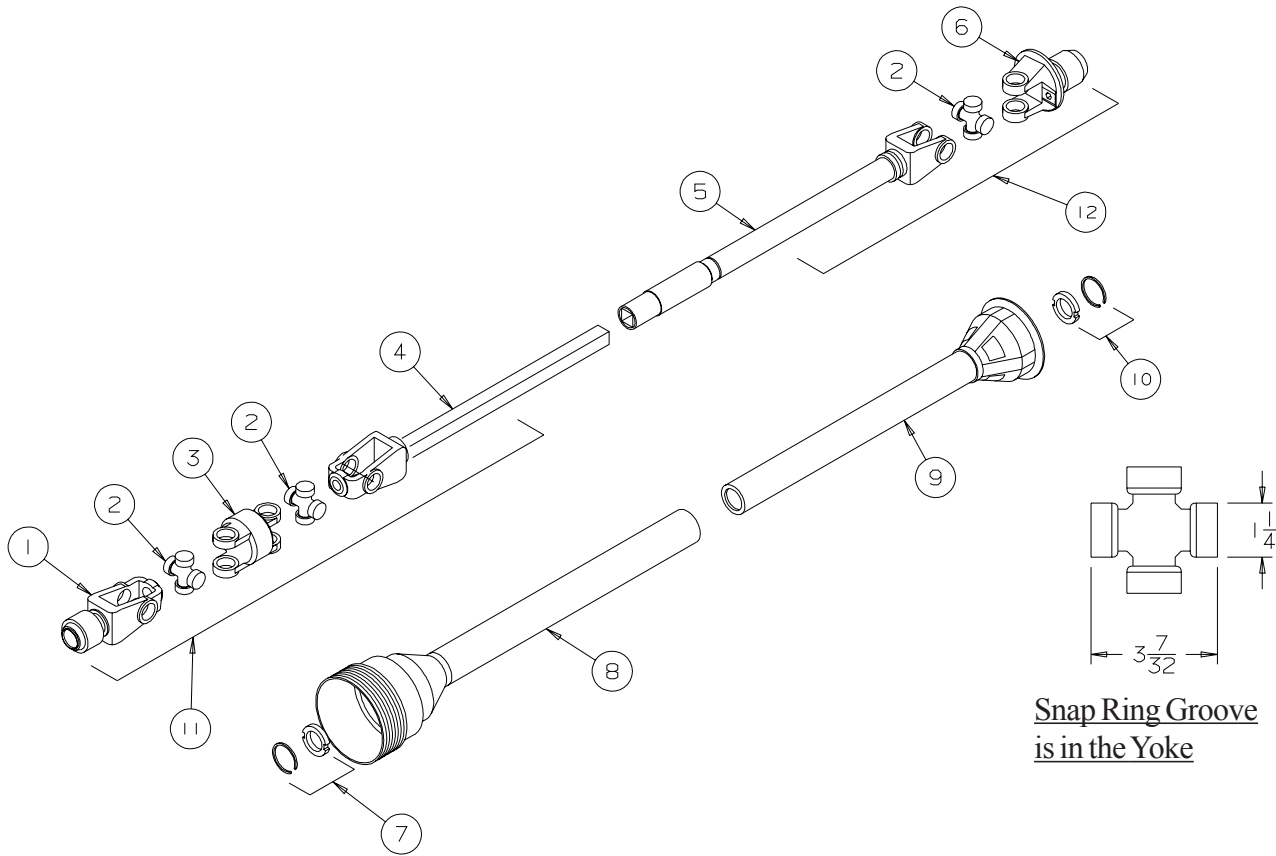
**LOWER GEARBOX - 10" MDSA AUGER
SERIAL NOS. 95000 - 100499**



Lower Gearbox - B003015

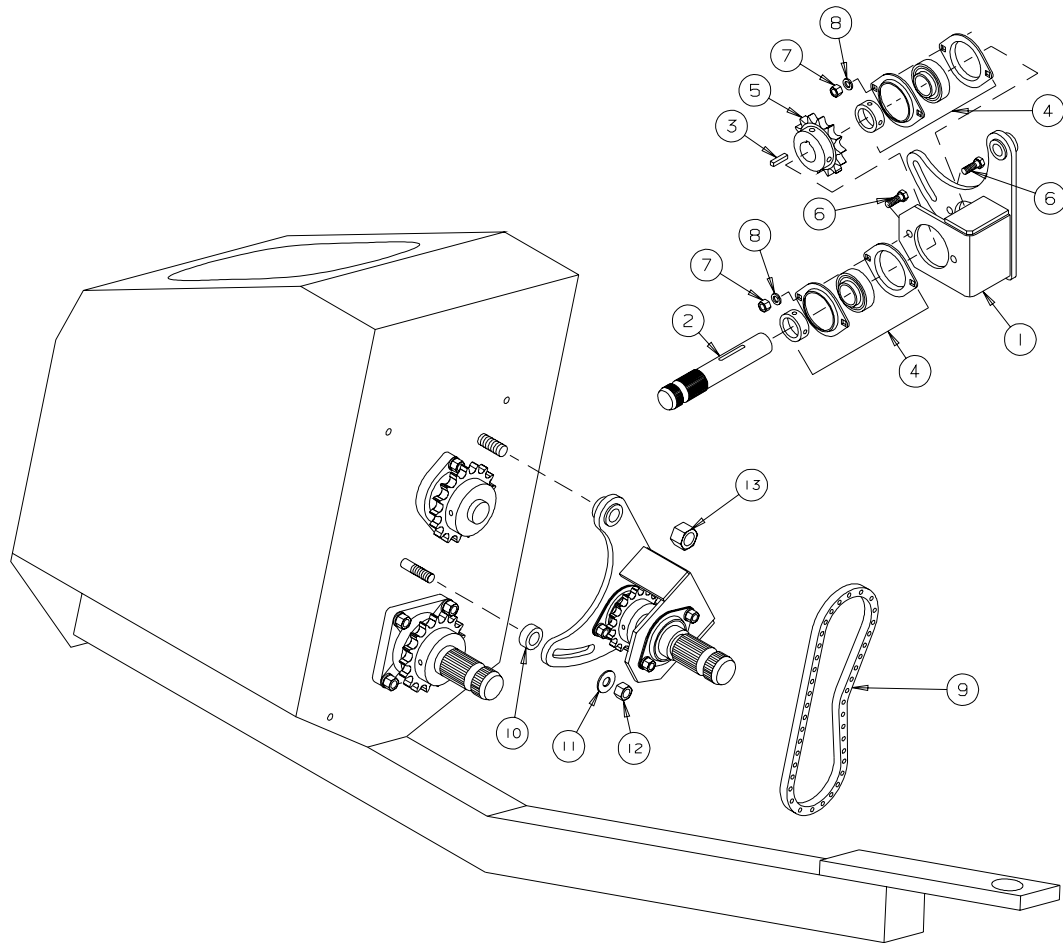
REF #	PART NO.	DESCRIPTION	QTY
1	B00301401	Gearbox Case	1
2	B00301402	End Cap - Closed	1
3	B00301403	End cap - Open	1
4	B00301504	Gearbox Quill Cap	1
5	B011603	Bearing Cone - LM67048	4
6	B011602	Bearing Cup - LM67010	4
7	B00301407	Gear	2
8	B00301508	Output Shaft	1
9	B00301509	Input Shaft	1
10	B00301410	Input Shaft Seal	1
11	B00301411	Output Shaft Seal	1
12	B00301412	Square Key - 1/4" x .9" lg	1
13	B00301413	Snap Ring	4
14	B00301414	Spacer	3
15	B00301415	Spacer	1
16	B00301416	Gasket	AR
17	B001009	5/16" x 3/4" Bolt	12
18	B00301418	9/16" Pipe Plug c/w O-ring	2
19	B00301419	O-ring - 71mm x 1.8mm	3
20	B00301421	Grease Washer	1
21	B00301521	Debris Shield	1

WEASLER SERIES 35R - 50 CV
B0030491 - 10" HD MECHANICAL DRIVE SWING AWAY AUGERS



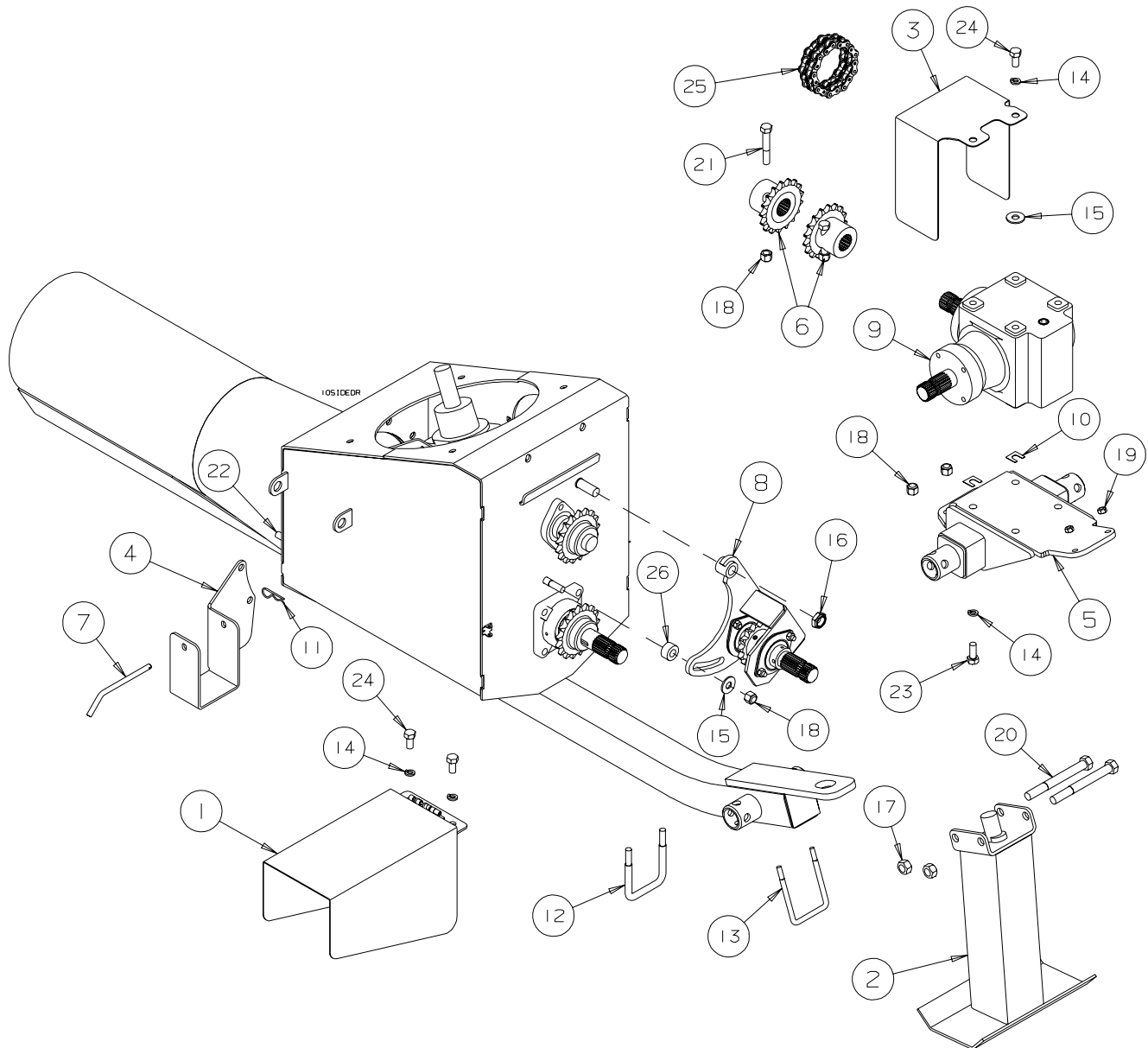
REF #	PART NO.	DESCRIPTION	QTY.
1	B003740	Implement Yoke - 21 Spline	1
2	B003715	Cross & Bearing Kit	3
3	B003741	Centre Housing	1
4	B003872	Output Yoke & Shaft - CV End	1
5	B003873	Input Yoke & Tube - Implement End	1
6	B003744	Shear Yoke Assembly - 6 Spline	2
7	B003738	Shield Bearing - CV End	1
8	B003876	Outer Shield	1
9	B003877	Inner Shield	1
10	B003745	Shield Bearing - Tractor End	1
11	B003870	Implement Half of Shaft c/w Guard - 21 Spline	1
12	B003871	Tractor Half of Shaft c/w Guard - 6 Spline	1
NS	B0010101	Shear Bolt - 5/16" x 1" Gr.8	1
NS	B003103	Shear Nut - 5/16" Stover Lock Nut	1

REVERSING KIT - 10" MDSA AUGER
SERIAL NOS. 95000 - 100499



REF #	PART NO.	DESCRIPTION
1	B194200	Reverser - Main Bracket
2	B032203	Reverser - Splined Shaft
3	B185206	1/4" Key x 1 1/8" Long
4	B017120	Bearing - 1 1/4" dia - 2 Bolt Flangette
5	B009027	60-14 Sprocket - 1 1/4" Bore
6	B001024	3/8" x 1" Hex Bolt
7	B001131	3/8" Hex Nut
8	B001165	3/8" Lockwasher
9	NPN	R60 Chain x 41 Pitch
10	B194201	1/2" Spacer Bushing
11	B001151	1/2" Flatwasher
12	B001136	1/2" Locknut
13	B001144	3/4" Locknut

SIDE DRIVE KIT - 10" MDSA AUGER
SERIAL NOS. 95000 - 100499



REF #	PART NO.	DESCRIPTION
1	C107074	PTO Guard
2	C107048	Hitch Stand
3	C107047	Coupler Guard
4	C107046	PTO Holder
5	C107045	Gearbox Mount
6	C107044	Coupler Sprocket - 60-17 x 1 3/8" - 21 Spline
7	B496655	PTO Storage Keeper Pin
8	B194210	10" Reverser Assembly
9	B0030281	Gearbox - 10" MDSA Side Drive
10	B002540	Body Shim - 33/64" x 1/32" thick
11	B002092	Hairpin Clip - .094" x 2 1/4"
12	B002017	1/2" x 3 1/8" U-bolt x 4 3/8" long
13	B0020131	3/8" x 3 1/8" U-bolt x 4 9/16" long
14	B001167	1/2" Lockwasher
15	B001151	1/2" Flatwasher
16	B001144	3/4" Locking Jam Nut
17	B001139	5/8" Hex Nut
18	B001136	1/2" Lock Nut
19	B0011325	3/8" Stover Lock Nut
20	B0010746	5/8" x 6" Bolt
21	B001048	1/2" x 3" Bolt
22	B001042	1/2" x 1 1/2" Bolt
23	B001040	1/2" x 1 1/4" Bolt
24	B001039	1/2" x 1" Bolt
25	B009590	60-2 Roller Chain x 17 pitch
26	B194201	Reverser Spacer Bushing
NS	B0030471	PTO Shaft - 10" MDSA Side Drive