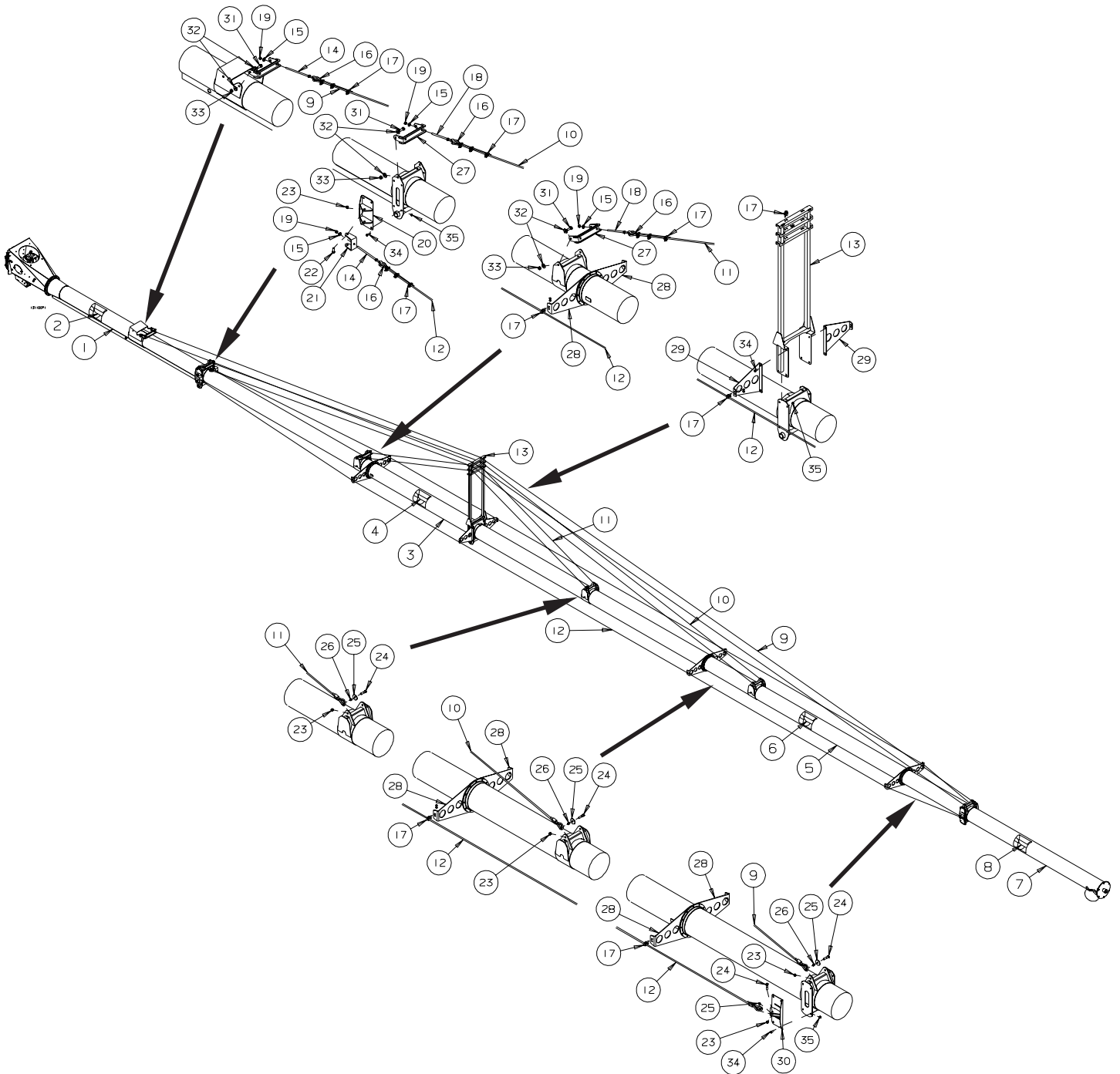


***13''x 110' HP
MECHANICAL DRIVE
SWING AWAY AUGER***

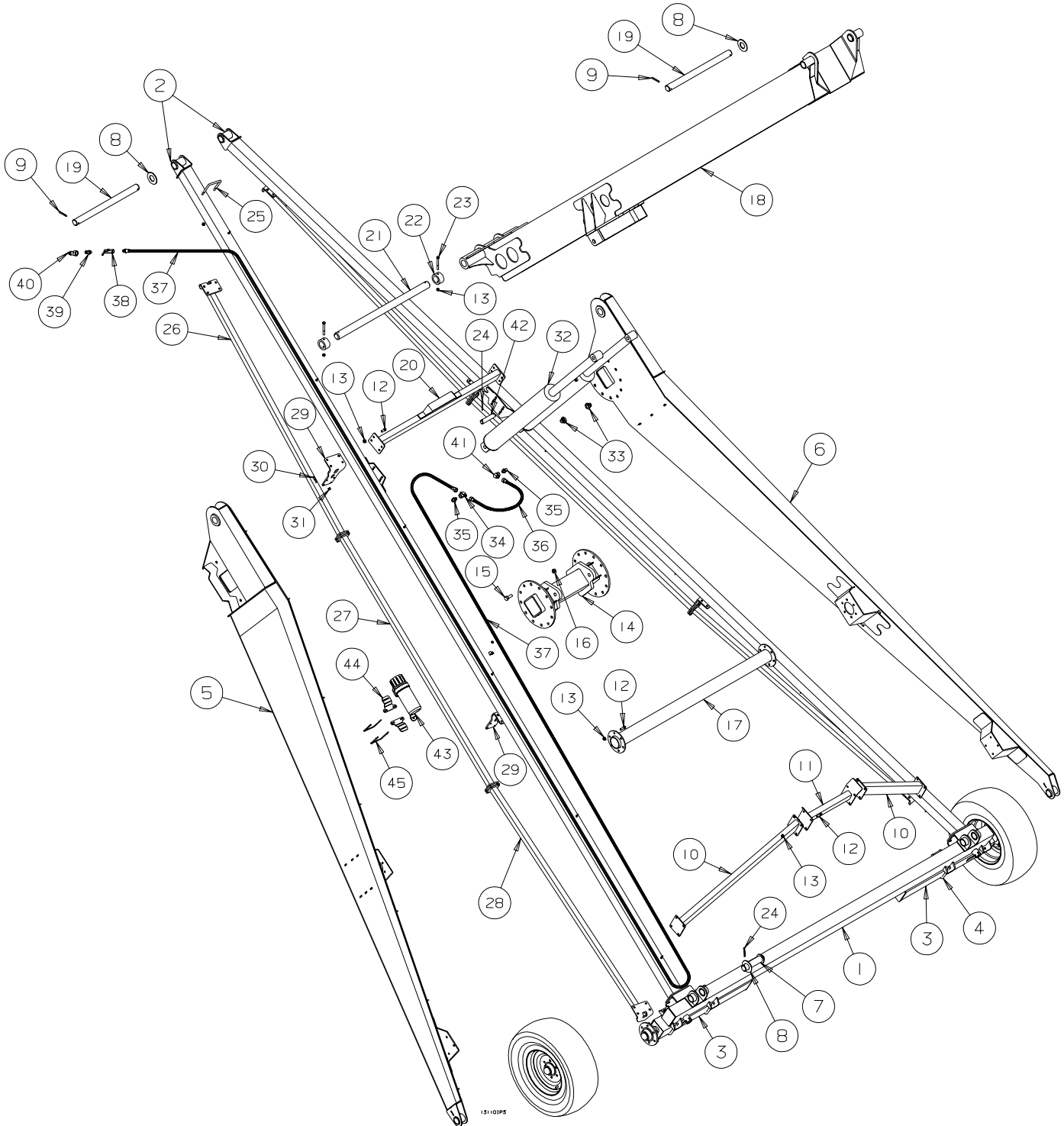
**PARTS LISTS
SERIAL NOS. 121000 - PRESENT**

110' TUBE ASSEMBLY - 13" HP MDSA AUGER
SERIAL NOS. 121000 - PRESENT



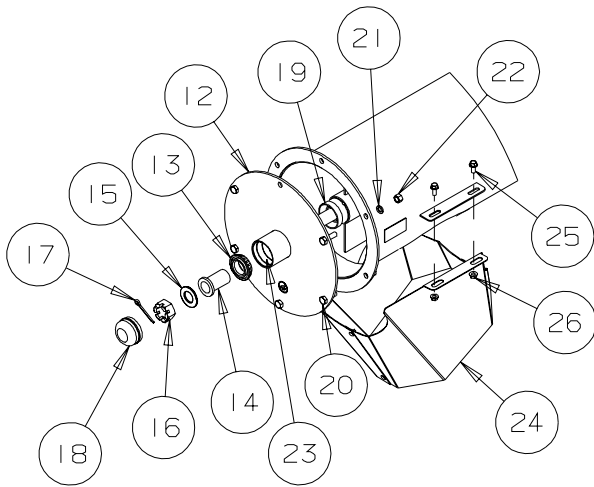
| REF # | PART NO. | DESCRIPTION | QTY |
|-------|----------|-------------------------------------|-----|
| 1 | C317103 | Lower Tube Weldment | 1 |
| 2 | C306060 | Lower Flight Weldment | 1 |
| 3 | C309102 | Second Tube Weldment | 1 |
| 4 | C303612 | Second Flight Weldment | 1 |
| 5 | C309088 | Third Tube Weldment | 1 |
| 6 | C307100 | Third Flight Weldment | 1 |
| 7 | C315101 | Upper Tube Weldment | 1 |
| 8 | C306072 | Upper Flight Weldment | 1 |
| 9 | B0083101 | 1/2" dia x 86' Truss Cable | 2 |
| 10 | B0083102 | 1/2" dia x 59' Truss Cable | 2 |
| 11 | B0083103 | 1/2" dia x 27' Truss Cable | 2 |
| 12 | B0083104 | 1/2" dia x 80' Truss Cable | 2 |
| 13 | C309872 | Truss Tower | 1 |
| 14 | B0020247 | 5/8"x 16" Eyebolt | 4 |
| 15 | B001153 | Eyebolt Bushing | 8 |
| 16 | B008086 | 1/2" Cable Thimble | 8 |
| 17 | B008085 | 1/2" Cable Clamp | 38 |
| 18 | B0020246 | 5/8"x 9 3/8" Eyebolt | 4 |
| 19 | B001139 | 5/8" Hex Nut | 8 |
| 20 | C309221 | Side Cable Mount - Eyebolt end | 2 |
| 21 | C309222 | Side Swivel Plate | 2 |
| 22 | B001069 | 5/8"x 1 1/2" Bolt | 4 |
| 23 | B0011415 | 5/8" Lock Nut | 12 |
| 24 | B001071 | 5/8"x 2 1/2" Bolt | 8 |
| 25 | B0020717 | 2.5" ODx 5/8" ID Washer | 6 |
| 26 | B002311 | Buttite Spacer - 5/8" ID x 3/4" lg. | 6 |
| 27 | C309212 | Cable Eye Swivel | 3 |
| 28 | C309219 | Side Cable Mount - Flange | 6 |
| 29 | C309214 | Side Cable Mount - Truss Tower | 2 |
| 30 | C309220 | Side Cable Mount - Cable Eye end | 2 |
| 31 | B001100 | 3/4"x 2" Bolt | 6 |
| 32 | B001155 | 3/4" Flatwasher | 12 |
| 33 | B001154 | 3/4" Lock Nut | 6 |
| 34 | B001040 | 1/2"x 1 1/4" Bolt | 24 |
| 35 | B001134 | 1/2" Lock Nut | 24 |

110' UNDERCARRIAGE ASSEMBLY - 13" HP MDSA AUGER
SERIAL NOS. 121000 - PRESENT

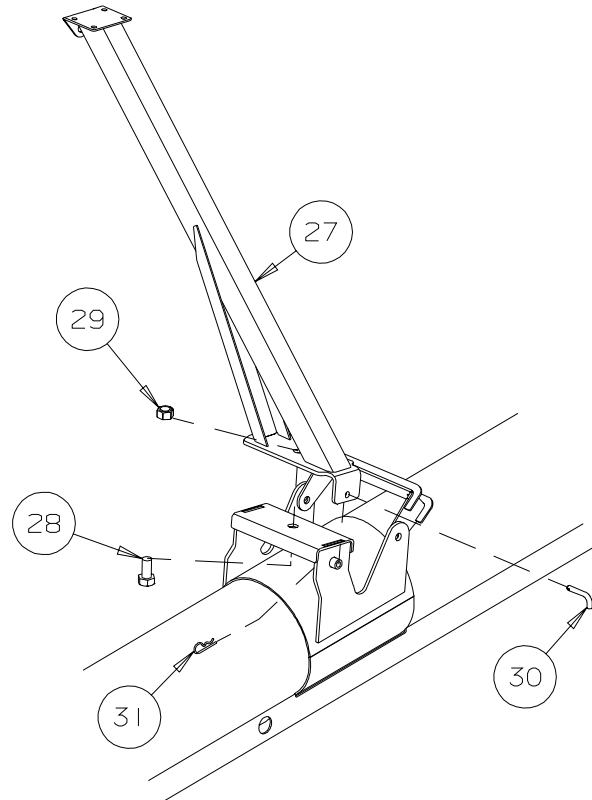


| REF # | PART NO. | DESCRIPTION | QTY |
|-------|----------|--|-----|
| 1 | C308173 | Axle Weldment - 110' | 1 |
| 2 | C309147 | Axle Arm - 110' | 2 |
| 3 | C302877 | Axle Extension | 2 |
| 4 | B0020211 | 5/8"x 5" U-bolt x 6 1/2" lg. | 4 |
| 5 | C309148L | Lift Arm - 110' - Left | 1 |
| 6 | C309148R | Lift Arm - 110' - Right | 1 |
| 7 | C308172 | Short Suspension Pin | 2 |
| 8 | B002700 | 3"OD x 2" ID Machinery Bushing | 6 |
| 9 | B0020613 | 3/8" x 3" Roll Pin | 4 |
| 10 | C309207 | Transport Uprite - 110' | 2 |
| 11 | C309208 | Tranport Rest Cross - 110' | 1 |
| 12 | B001040 | 1/2"x 1 1/4" Bolt | 36 |
| 13 | B001134 | 1/2" Lock Nut | 70 |
| 14 | C310150 | Lift Cross - 110' | 1 |
| 15 | B001100 | 3/4"x 2" Bolt | 24 |
| 16 | B001154 | 3/4" Lock Nut | 24 |
| 17 | C309171 | Tubular Cross Member | 1 |
| 18 | C310149 | Ladder - 110' | 1 |
| 19 | C309215 | Long Suspension Pin | 2 |
| 20 | C309206 | Transport Rest | 1 |
| 21 | C310216 | Scissor Pin | 1 |
| 22 | C310226 | Scissor Pin Retainer | 2 |
| 23 | B001057 | 1/2" x 4 1/2" Bolt | 2 |
| 24 | B0020605 | 5/16" x 3" Roll Pin | 6 |
| 25 | B002018 | 1/2" x 4" U-bolt x 5 1/2" | 16 |
| 26 | C309209 | Axle Arm Support - End | 2 |
| 27 | C309210 | Middle Axle Arm Support | 2 |
| 28 | C309209 | Axle Arm Support - End | 2 |
| 29 | C309211 | Axle Arm Support Mount | 4 |
| 30 | B001027 | 3/8" x 1 3/4" Bolt | 16 |
| 31 | B0011326 | 3/8" Locking Flange Nut | 16 |
| 32 | B0191894 | 5"x 36" Hydraulic Cylinder | 2 |
| 33 | B0193051 | #6 MORB Breather, 10 micron | 2 |
| 34 | B0194629 | Tee - #6 MJIC x #6 FJIC x #6 MJIC | 1 |
| 35 | B019416 | #6 MORB x #6 MJIC Adapter Nipple - 1/16" Rest. | 2 |
| 36 | B019249 | 3/8" Hydraulic Hose x 18" - #6 FJIC both ends | 1 |
| 37 | B0192935 | 3/8" Hydraulic Hose x 75' - 3/8" MPT x #6 FJIC | 1 |
| 38 | B019300 | 3/8" FPT Hydraulic Ball Valve | 1 |
| 39 | B019516 | 1/2" MPT x 3/8" MPT Reducer Nipple | 1 |
| 40 | B019200 | Pioneer Male Tip - 1/2" MPT | 1 |
| 41 | B019476 | #6 MJIC x #6 FJIC Elbow | 1 |
| 42 | C308190 | Hydraulic Cylinder Pin | 2 |
| 43 | B0275102 | Round Manual Holder | 1 |
| 44 | C314500 | Manual Holder Mount | 2 |
| 45 | B0020104 | 1/4" x 4" U-Bolt | 2 |

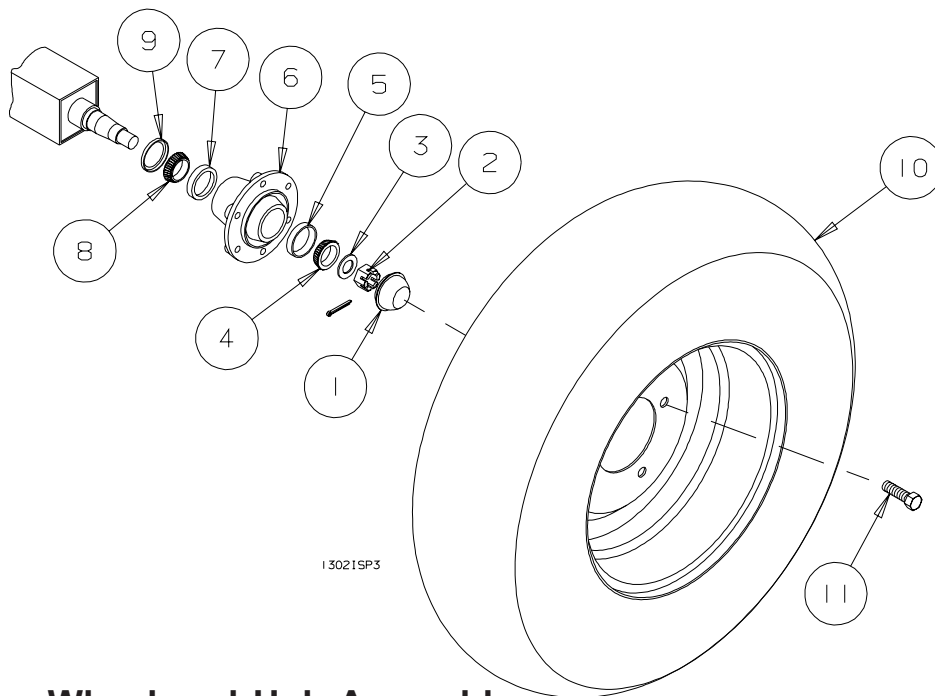
COMMON PARTS - 13" HP MDSA AUGER
SERIAL NOS. 121000 - PRESENT



Upper Tube
Head End Assembly



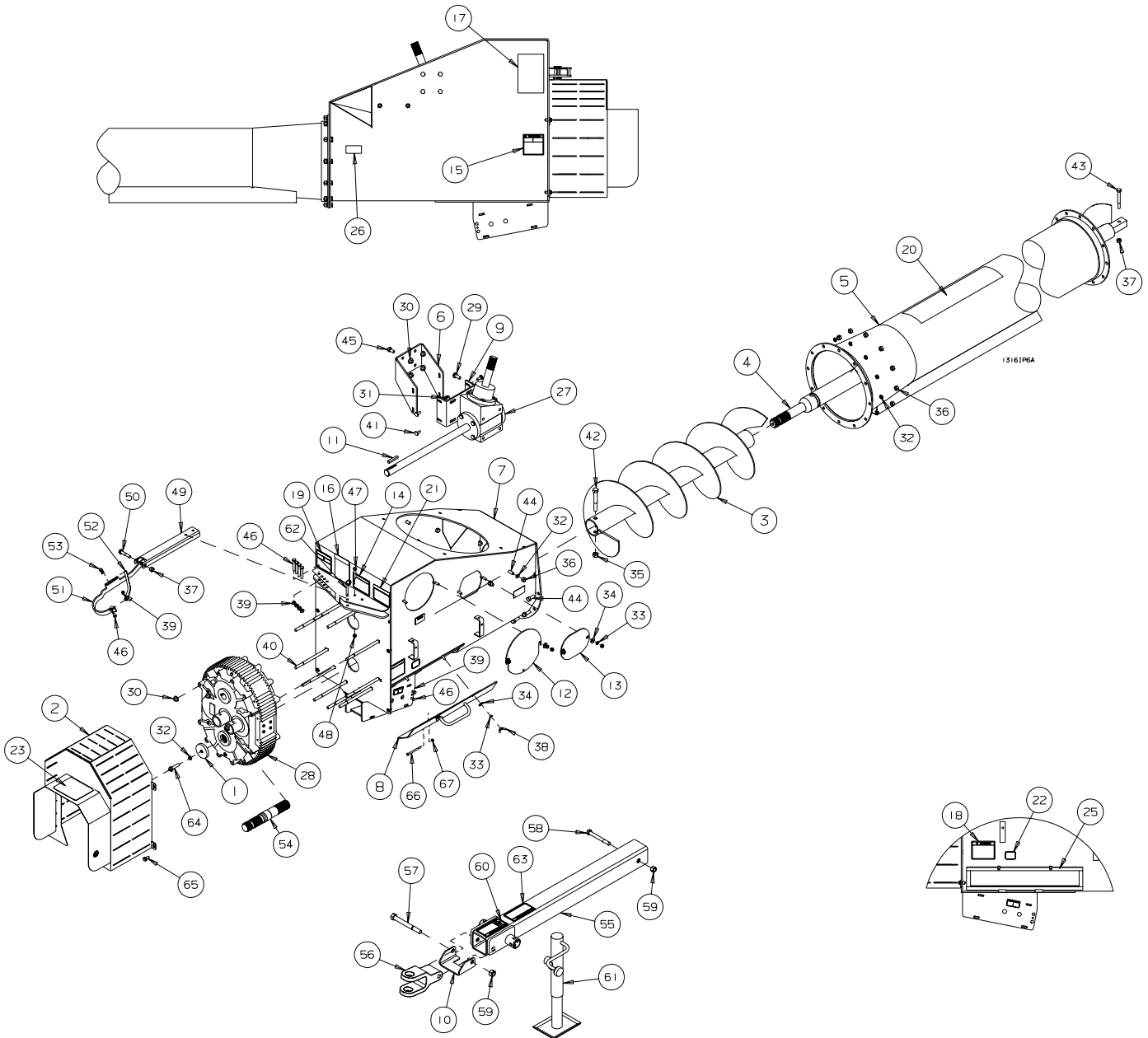
Lift Arm



Wheel and Hub Assembly

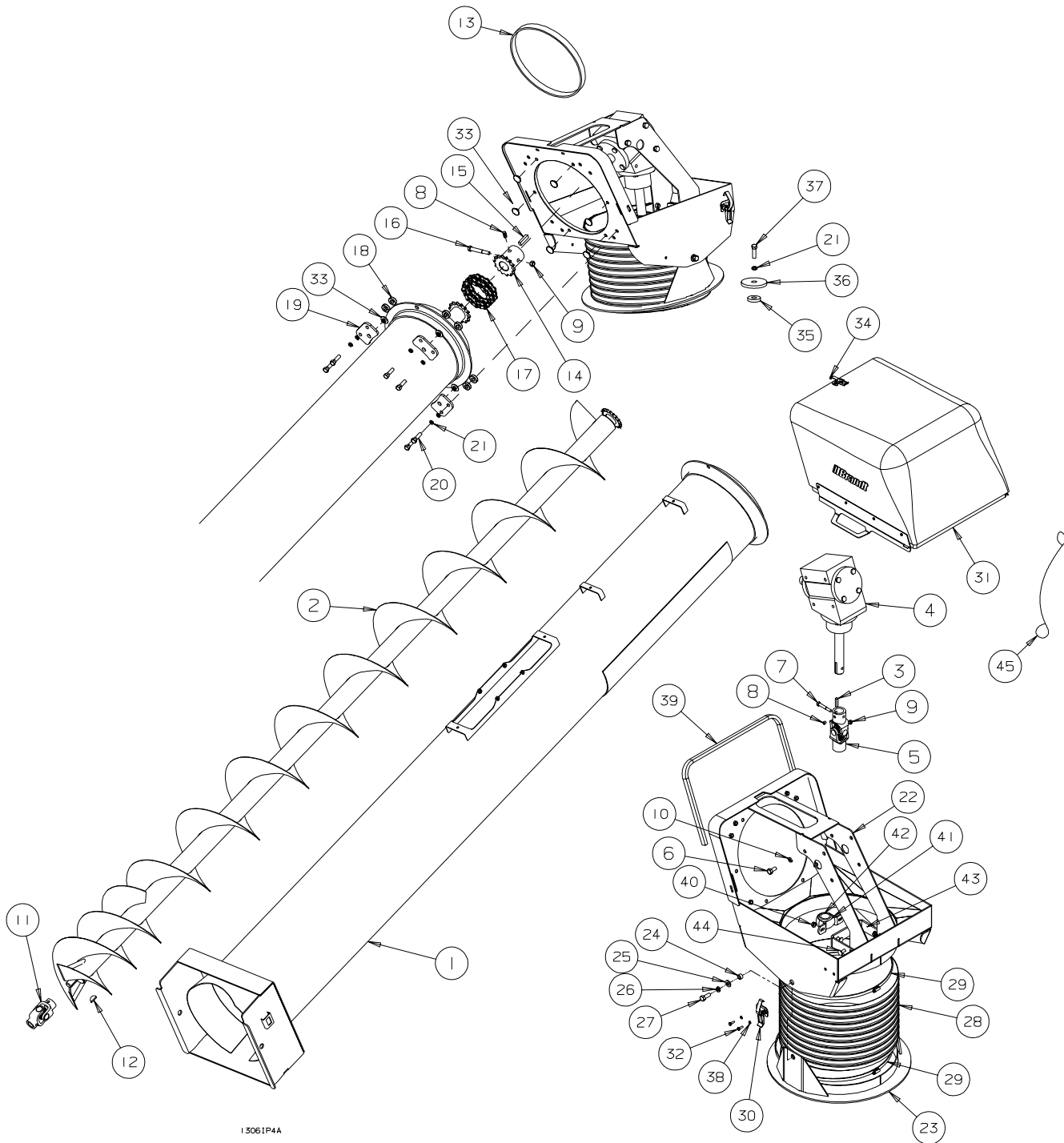
| REF # | PART NO. | DESCRIPTION | QTY |
|-------|----------|-----------------------------------|-----------|
| 1 | B011503 | Dust Cap - 6 Bolt Hub | 1 per hub |
| 2 | B011681 | 1" Castle Nut | 1 per hub |
| 3 | B001158 | 1" SAE Flatwasher | 1 per hub |
| 4 | B011603 | Outer Cone - 6 Bolt Hub - LM67048 | 1 per hub |
| 5 | B011602 | Outer Cup - 6 Bolt Hub - LM67010 | 1 per hub |
| 6 | B011003 | 6 Bolt Hub c/w Bearings | 1 per hub |
| 7 | B011652 | Inner Cup - 6 Bolt Hub - LM29710 | 1 per hub |
| 8 | B011651 | Inner Cone - 6 Bolt Hub - LM29749 | 1 per hub |
| 9 | B011650 | Grease Seal - 6 Bolt Hub - 17617 | 1 per hub |
| 10 | B011217 | ST235/85R16 Tire and Rim - 12 Ply | 1 per hub |
| 11 | B011504 | Wheel Bolt | 6 per hub |
| 12 | C306068 | Thrust End Plate | 1 |
| 13 | B011651 | Tapered Roller Bearing - LM 29749 | 1 |
| 14 | B011710 | Tapered Bearing Bushing | 1 |
| 15 | B001180 | 1 1/8" SAE Flatwasher | 1 |
| 16 | B011629 | Spindle Nut - 1 1/4" - 12 UNF | 1 |
| 17 | B002054 | 3/16"x 2" Cotter Pin | 1 |
| 18 | B011502 | Dust Cap - DC15 | 1 |
| 19 | B011649 | Grease Seal - SE11 | 1 |
| 20 | B001041 | 1/2"x 1 1/4" Bolt | 6 |
| 21 | B001167 | 1/2" Lockwasher | 6 |
| 22 | B001135 | 1/2" Hex Nut | 6 |
| 23 | B011652 | Bearing Race - LM 29710 | 1 |
| 24 | C315457 | 13" Down Spout | 1 |
| 25 | B001433 | 3/8"x 1" Serrated Flange Bolt | 4 |
| 26 | B0011326 | 3/8" Locking Flange Nut | 4 |
| 27 | C310303 | Swing Tube Lift Arm | 1 |
| 28 | B0011153 | 1" x 2" Bolt | 1 |
| 29 | B001075 | 1" Stover Lock Nut | 1 |
| 30 | B0020297 | 1/2" x 2 3/4" L-Pin | 1 |
| 31 | B002094 | 1/8" x 2 9/16" Hair Pin Clip | 1 |

INTAKE BOOT ASSEMBLY - 13" HP MDSA AUGER
SERIAL NOS. 121000 - PRESENT



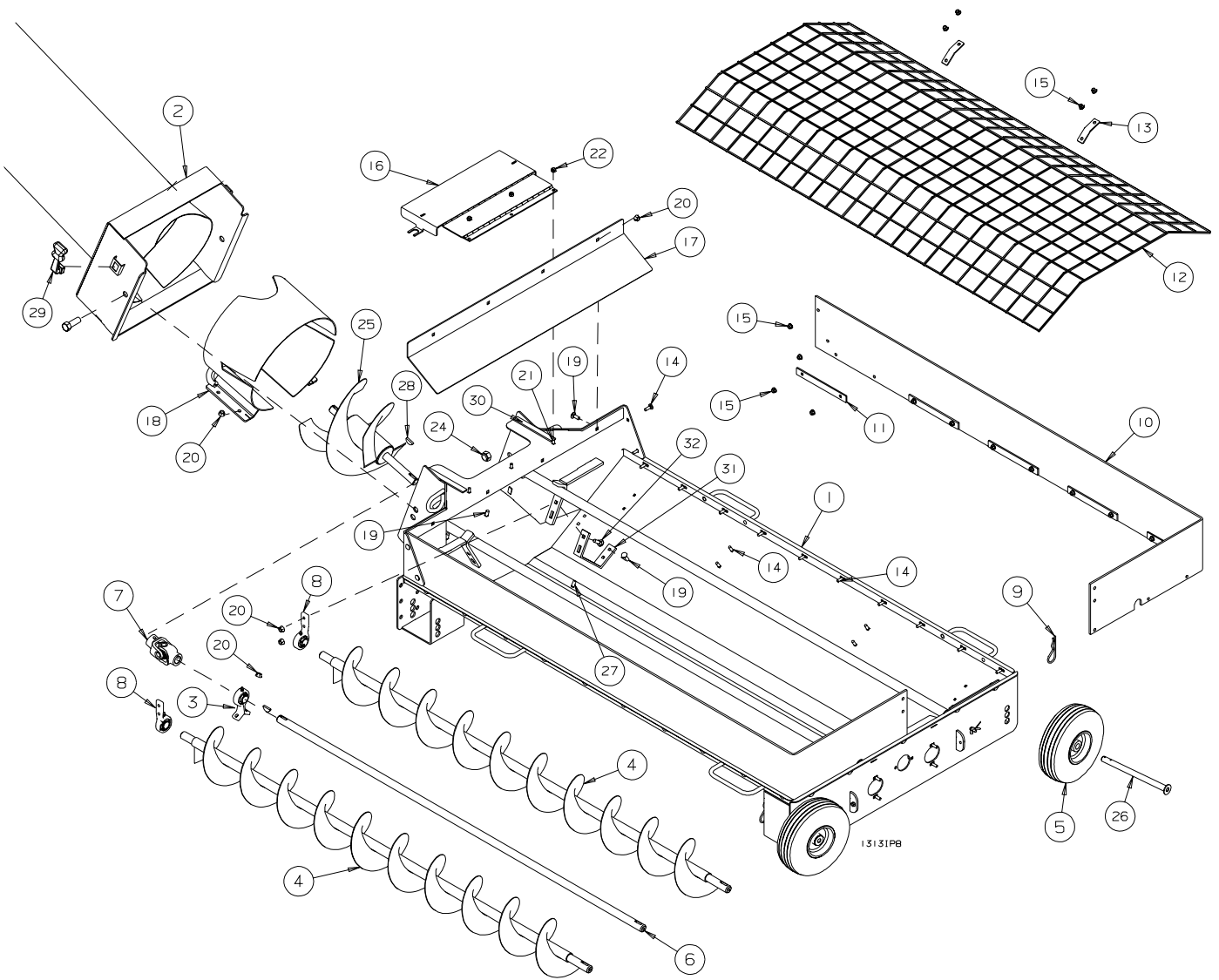
| REF | PART NO. | DESCRIPTION | QTY | REF | PART NO. | DESCRIPTION | QTY |
|-----|----------|---------------------------|------|-----|----------|-----------------------------|-----|
| 1 | C306081 | Retaining Washer | 1 | 36 | B001135 | 1/2" Nut | 16 |
| 2 | C316542A | Gearbox Front Guard | 1 | 37 | B001134 | 1/2" Stover Lock Nut | 2 |
| 3 | C306061 | 13" Booster Flight | 1 | 38 | B0011327 | 3/8" Wing Nut | 4 |
| 4 | C306060 | Lower Flight Weld | 1 | 39 | B0011275 | 5/16" Lock Nut Weasler | 4 |
| 5 | C311103 | Lower Tube Weld | 1 | 39 | B001350 | 10mm Lock Nut Walterscheid | 4 |
| | | | | 40 | B0010934 | 1/2"x 9" Carriage Bolt | 10 |
| 6 | C316535 | Outer Gearbox Mount | 1 | | | | |
| 7 | C317540A | HP Boot Weld | 1 | 41 | B001082 | 3/8"x 1" Carriage Bolt | 6 |
| 8 | C317541 | Boot Cleanout Door | 1 | 42 | B0010741 | 5/8"x 4 1/2" Bolt- Gr.8 | 1 |
| 9 | C316536 | Inner Gearbox Mount | 1 | 43 | B0010575 | 1/2"x 4" Bolt - Gr.8 | 1 |
| 10 | C314452 | Swivel Hitch Support | 1 | 44 | B001040 | 1/2"x 1 1/4" Bolt | 12 |
| | | | | 45 | B001039 | 1/2"x 1" Bolt | 4 |
| 11 | C202407 | 5/16"x 2" Key | 1 | | | | |
| 12 | B198362 | Boot Access Cover | 1 | 46 | B001010 | 5/16"x 1" Bolt-Gr.5 Weasler | 4 |
| 13 | C116471 | Access Cover | 1 | 46 | B001298 | M10x 60-Gr.8.8 Walterscheid | 4 |
| 14 | B029410 | Swing Auger Decal | 1 | 47 | B001030 | 3/8"x 2 1/4" Bolt | 1 |
| 15 | B029350 | Hydraulic Oil Decal | 1 | 48 | B0011325 | 3/8" Stover Lock Nut | 1 |
| | | | | 49 | C306075 | PTO Channel Support | 1 |
| 16 | B029340 | Remove PTO Decal | 1 | 50 | B001048 | 1/2"x 3" Bolt | 1 |
| 17 | B029330 | Needle Valve Decal | 1 | | | | |
| 18 | B029310 | Cleanout Covers Decal | 1 | 51 | C306076 | 13" PTO Holder | 1 |
| 19 | B029111 | Moving Part Hazard Decal | 1 | 52 | C305026 | PTO Clasp | 1 |
| 20 | B029100 | Combo. Danger Decal | 1 | 53 | B002094 | 1/8"x 1 9/16" Hair Pin | 1 |
| | | | | 54 | B0030081 | Gearbox Drive Shaft | 1 |
| 21 | B029091 | Caution Hot Surface Decal | 1 | 55 | C311367 | 13" Hitch Tube | 1 |
| 22 | B029075 | 13" HP Shear Bolt Decal | 1 | | | | |
| 23 | B0290615 | 13" HP Hitch/PTO Decal | 1 | 56 | C311318 | Cast Hitch Clevis | 1 |
| 24 | B001433 | 3/8"x 1" SF Bolt | 4 | 57 | B001112 | 3/4" x 7" Bolt | 1 |
| 25 | B021994 | 1/8"x 3/4" Foam | 5.0' | 58 | B0011105 | 3/4" x 5 1/2" Bolt | 1 |
| | | | | 59 | B001143 | 3/4" Lock Nut | 2 |
| 26 | B0210275 | Amber Reflect. Tape | 2 | 60 | B029970 | Hitch Pin Decal | 1 |
| 27 | B0030234 | 13" HP Lower Gearbox | 1 | | | | |
| 28 | B003008 | Helical Gearbox | 1 | 61 | B030500 | 5000 lb Side Wind Jack | 1 |
| 29 | B001453 | 1/2"x 1" SF Bolt | 4 | 62 | B002104 | 3/8"x 2" Quick Release Pin | 1 |
| 30 | B001409 | 1/2" SF Nut | 14 | 63 | B029971 | Safe Transport Decal | 1 |
| | | | | 64 | D615354 | Lower Flight Bolt c/w zerk | 1 |
| 31 | B001405 | 3/8" SF Nut | 4 | 65 | B0010062 | 1/4" x 3 1/2" Bolt | 2 |
| 32 | B001167 | 1/2" Lock Washer | 17 | | | | |
| 33 | B001165 | 3/8" Lock Washer | 4 | 66 | B001124 | 1/4" Lock Nut | 2 |
| 34 | B001149 | 3/8" Flat Washer | 4 | | | | |
| 35 | B0011415 | 5/8" Lock Nut | 1 | | | | |

SWING TUBE ASSEMBLY - 13" HP MDSA AUGER
SERIAL NOS. 121000 - PRESENT



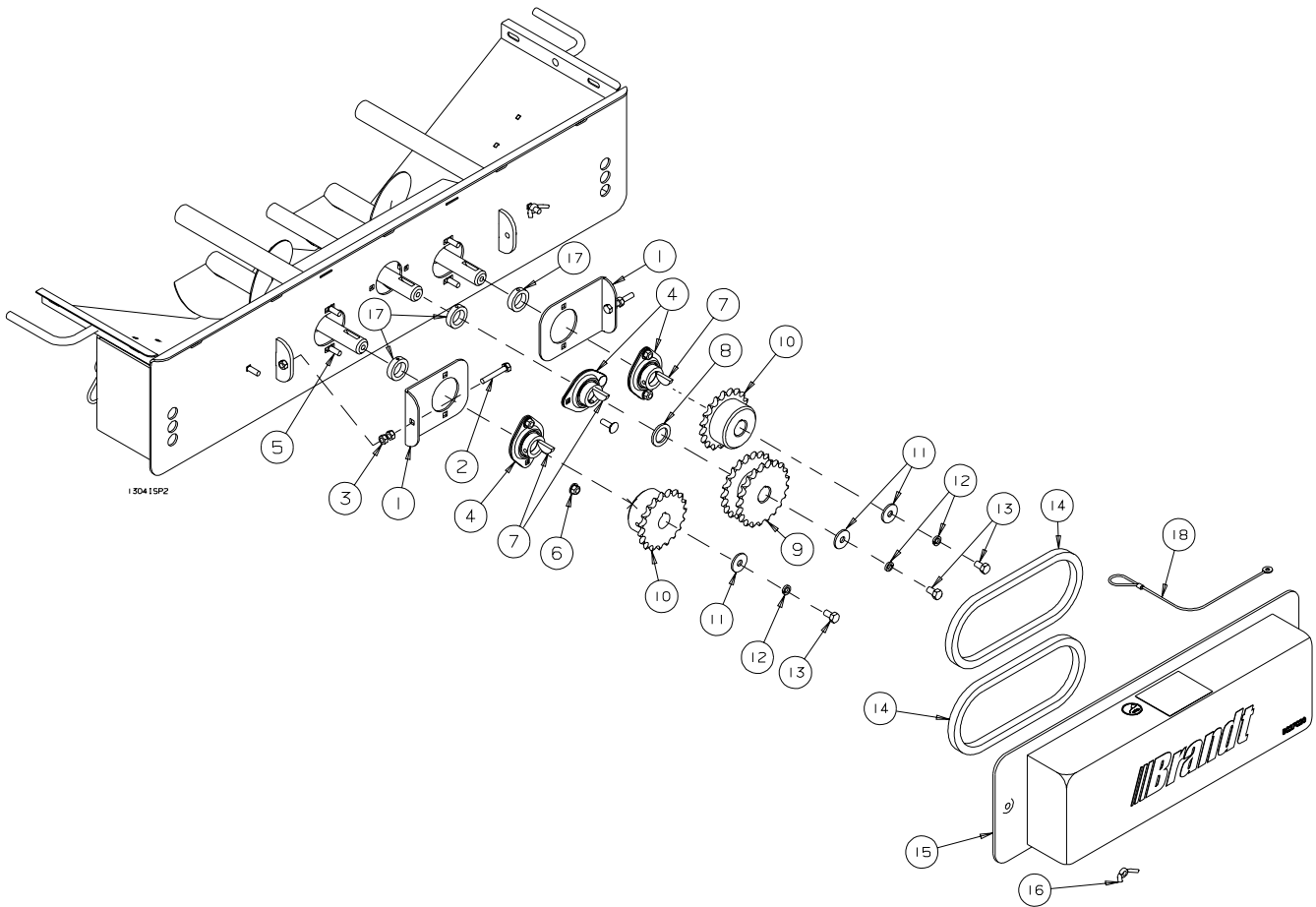
| REF # | PART NO. | DESCRIPTION | QTY |
|-------|----------|--|-----|
| 1 | C314033A | Swing Tube Assembly | 1 |
| 2 | C305034 | Swing Tube Flight | 1 |
| 3 | B194012 | 5/16" x 1 1/2" Key | 1 |
| 4 | B0030245 | Gearbox 1:1 - Upper | 1 |
| 5 | B032137 | U-Joint - 1 3/8" x 21 Spline | 1 |
| 6 | B001039 | 1/2" x 1" Bolt | 6 |
| 7 | B001032 | 3/8" x 2 1/2" Hex Bolt - GR 5 | 1 |
| 8 | B002041 | 3/8" x 3/8" Set Screw | 2 |
| 9 | B0011325 | 3/8" Lock Nut | 2 |
| 10 | B001167 | 1/2" Lock Washer | 6 |
| 11 | B0321125 | 1" x 1" U-Joint - 6R | 1 |
| 12 | B009700 | 1.25" x .25" Woodruff Key - #810 | 1 |
| 13 | 13684 | Spout Tube Seal | 1 |
| 14 | B0090026 | #50 - 18 Sprocket - 1 3/8" Bore | 1 |
| 15 | B496680 | 5/16" x 1 1/2" Key | 1 |
| 16 | B001037 | 3/8" x 3" Bolt - Gr.8 | 1 |
| 17 | B009593 | 50-2 Chain - 18 Pitch | 1 |
| 18 | B027499 | Plastic Spacer Bushing - 1" OD x 5/16" thick | 8 |
| 19 | C100870 | Retainer Plate | 4 |
| 20 | B001025 | 3/8" x 1 1/4" Bolt | 8 |
| 21 | B001165 | 3/8" Lockwasher | 12 |
| 22 | C306028 | Upper Spout Swivel | 1 |
| 23 | C306067 | Lower Spout Swivel | 1 |
| 24 | C306042 | Swivel Bushing | 2 |
| 25 | B001152 | 1/2" SAE Flatwasher | 2 |
| 26 | B001167 | 1/2" Lock washer | 2 |
| 27 | B001040 | 1/2" x 1 1/4" Bolt | 2 |
| 28 | C305019 | 18" Downspout Hose x 12" | 1 |
| 29 | B024211 | 10" Hose Clamp | 2 |
| 29 | B024085 | 7" Hose Clamp | 2 |
| 30 | B021100 | Large Latch Assembly | 2 |
| 31 | C306029 | Plastic Spout Cover Assembly | 1 |
| 32 | B001002 | 1/4" x 3/4" Bolt | 4 |
| 33 | B027500 | Plastic Wear Bushing | 10 |
| 34 | B021110 | Small Latch Assembly | 1 |
| 35 | B027498 | Small Swing Tube Spacer - 1.1" OD x 3/8" thick | 4 |
| 36 | B198361 | Large Swing Tube Retainer | 4 |
| 37 | B001031 | 3/8"x 1 1/2" Bolt | 4 |
| 38 | B001163 | 1/4" Lock Washer | 4 |
| 39 | 13696 | Spout Cover Seal | 1 |
| 40 | B001405 | 3/8" Serrated Flange Nut | 4 |
| 41 | B017040 | Bearing Housing | 1 |
| 42 | B017044 | 1 3/8" ID Wood Bearing | 1 |
| 43 | C306064 | Spout Steady Bearing Mount | 1 |
| 44 | B001082 | 3/8"x 1" Carriage Bolt | 4 |
| 45 | B008801 | 24" Cable Lanyard | 1 |

SWING HOPPER ASSEMBLY - 13" HP MDSA AUGER
SERIAL NOS. 121000 - PRESENT



| REF # | PART NO. | DESCRIPTION | QTY |
|-------|----------|---|-----|
| 1 | C314008 | Swing Hopper Weldment | 1 |
| 2 | C314033A | 13" HP Swing Tube | 1 |
| 3 | C311382 | Driveline Hanger Assembly c/w Bearing | 1 |
| NS | B017261 | 1" Bearing only | |
| 4 | C104009H | Right Hopper Flight - Heavy | 2 |
| 5 | B011046 | 10" Dia Hopper Solid Tire & Rim - 3/4" Bore | 4 |
| 6 | C306005 | 13" Hopper Driveshaft | 1 |
| 7 | B0321125 | 1" x 1" U-Joint - 6R | 1 |
| 8 | C311380 | Flight Hanger Assembly c/w Bearing | 2 |
| NS | B017261 | 1" Bearing only | |
| 9 | B002091 | .177" x 3 3/4" Hair Pin Clip | 4 |
| 10 | B0210418 | Rubber Hopper Extension | 2 |
| 11 | B198071 | Aluminium Hold Down Strap | 12 |
| 12 | C104010 | Hopper Safety Grate | 1 |
| 13 | B198358 | Hopper Mesh Retainer | 4 |
| 14 | B0010811 | 5/16" x 1" Carriage Bolt | 36 |
| 15 | B0011276 | 5/16" Flange Lock Nut | 36 |
| 16 | C112013A | Transition Cover | 1 |
| 17 | C306011 | Baffle Plate | 1 |
| 18 | C315460A | 13HP Transition Flight Mount Assembly | 1 |
| NS | B017261 | 1" Bearing only | |
| 19 | B001082 | 3/8" x 1" Carriage Bolt | 8 |
| 20 | B001405 | 3/8" Serrated Flange Nut | 22 |
| 21 | B001081 | 5/16" x 3/4" Carriage Bolt | 3 |
| 22 | B001127 | 5/16" Lock Nut | 3 |
| 23 | B0010988 | 3/4" x 1 1/4" Bolt | 2 |
| 24 | B001143 | 3/4" Lock Nut | 2 |
| 25 | C306006C | 13" Transition Flight | 1 |
| 26 | B198856 | Hopper Wheel Pin | 4 |
| 27 | B001433 | 3/8" x 1" Serrated Flange Bolt | 6 |
| 28 | B009700 | 1.25" x .25" Woodruff Key - #810 | 3 |
| 29 | B0219992 | Rubber Latch | 2 |
| 30 | C104022 | Hopper Foam Seal | 2 |
| 31 | C311246 | Hopper Flight Support | 2 |
| 32 | B001083 | 3/8" x 1 1/2" Carriage Bolt | 4 |

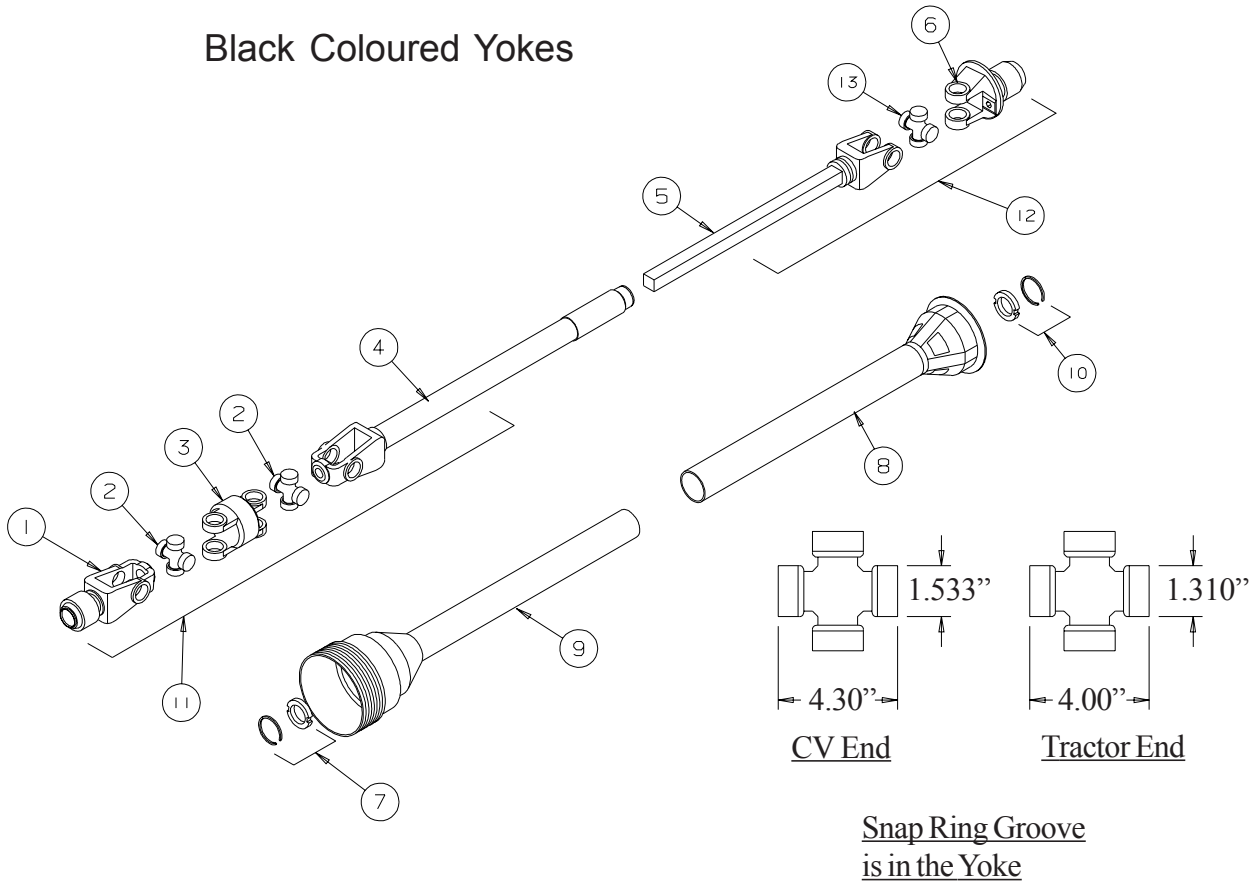
SWING HOPPER DRIVE ASSEMBLY - 13" HP MDSA AUGER
SERIAL NOS. 121000 - PRESENT



| REF # | PART NO. | DESCRIPTION | QTY |
|-------|----------|--|-----|
| 1 | C104017 | Chain Tension Plate | 2 |
| 2 | B0010213 | 5/16" x 2" Full Thread Bolt | 2 |
| 3 | B001126 | 5/16" Nut | 4 |
| 4 | B017111 | 1" - 2 Bolt Flangette Bearing | 3 |
| 5 | B0010811 | 5/16" x 1" Carriage Bolt | 6 |
| 6 | B0011276 | 5/16" Locking Flange Nut | 6 |
| 7 | B009700 | 1.25" x .25" Woodruff Key - #810 | 3 |
| 8 | B002073 | 1 1/2" OD x 1" ID x 10 Ga Machinery Bushing | 1 |
| 9 | B0090021 | 50-21 Double Sprocket - 1" Bore | 1 |
| 10 | B0094127 | 50-15 Sprocket - 1" Bore - Extended Hub | 2 |
| 11 | B0020718 | 1 1/4" OD x 3/8" ID Washer | 3 |
| 12 | B001165 | 3/8" Lockwasher | 3 |
| 13 | B0010225 | 3/8" x 5/8" Bolt | 3 |
| 14 | B0090052 | R50 x 33 Pitch Roller Chain c/w Offset & Conn Link | 2 |
| 15 | C104021 | Hopper Chain Guard | 1 |
| 16 | B001129 | 5/16" Wing Nut | 2 |
| 17 | B0210011 | 1" ID Collar | 3 |
| 18 | B008800 | 24" Cable Lanyard | 1 |

WEASLER SERIES 44E - 50 CV - 1 3/4" 20 SPLINE B003076
13"x 110' HP MDSA AUGERS SERIAL NO. 120000 - PRESENT

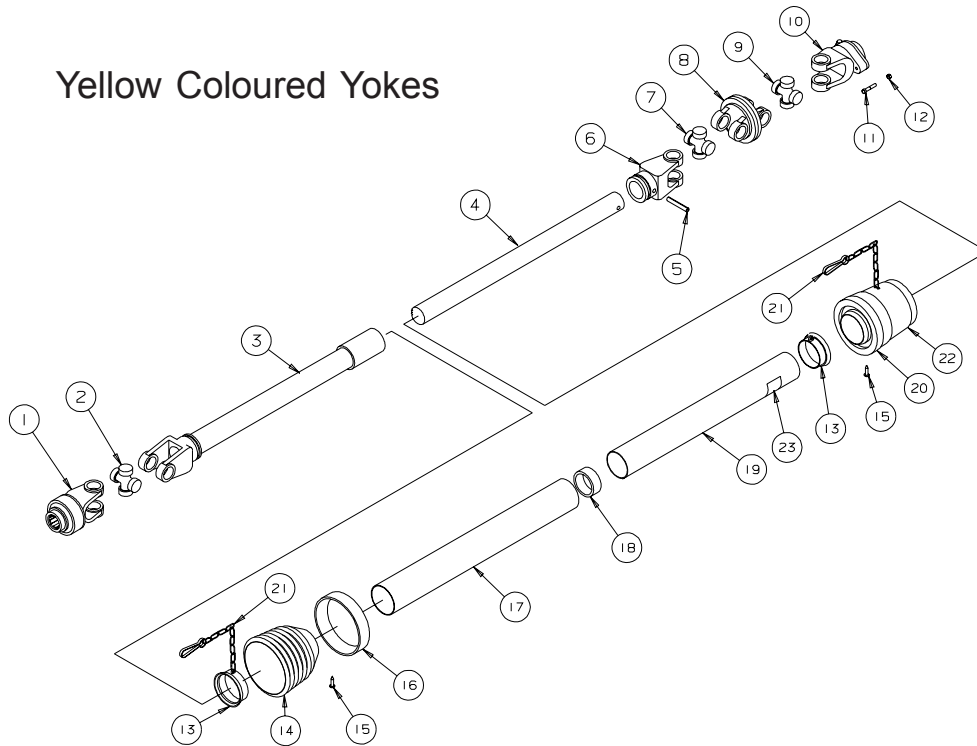
Black Coloured Yokes



| REF # | PART NO. | DESCRIPTION | QTY. |
|-------|----------|--|------|
| 1 | B003960 | Implement Yoke - 1 3/4" 20 Spline | 1 |
| 2 | B0037175 | Cross & Bearing Kit | 2 |
| 3 | B003821 | Centre Housing | 1 |
| 4 | B003973 | Output Yoke & Tube - CV End | 1 |
| 5 | B003972 | Input Yoke & Shaft - Tractor End | 1 |
| 6 | B003974 | Shear Yoke Assembly - 1 3/4" 20 Spline | 1 |
| 7 | B003935 | Shield Bearing - CV End | 1 |
| 8 | B003976 | Outer Shield | 1 |
| 9 | B003977 | Inner Shield | 1 |
| 10 | B003965 | Shield Bearing - Tractor End | 1 |
| 11 | B003978 | Implement Half of Shaft c/w Guard - 1 3/4" 20 Spline | 1 |
| 12 | B003979 | Tractor Half of Shaft c/w Guard - 1 3/4" 20 Spline | 1 |
| 13 | B0037161 | Cross & Bearing Kit | 1 |
| NS | B003102 | Shear Bolt - 5/16" x 1" Gr.5 | 2 |
| NS | B003103 | Shear Nut - 5/16" Stover Lock Nut | 2 |

WALTERSCHEID SERIES PWE580 - 1 3/4" 20 SPLINE B003076G
13"x 110' HP MDSA AUGERS

Yellow Coloured Yokes

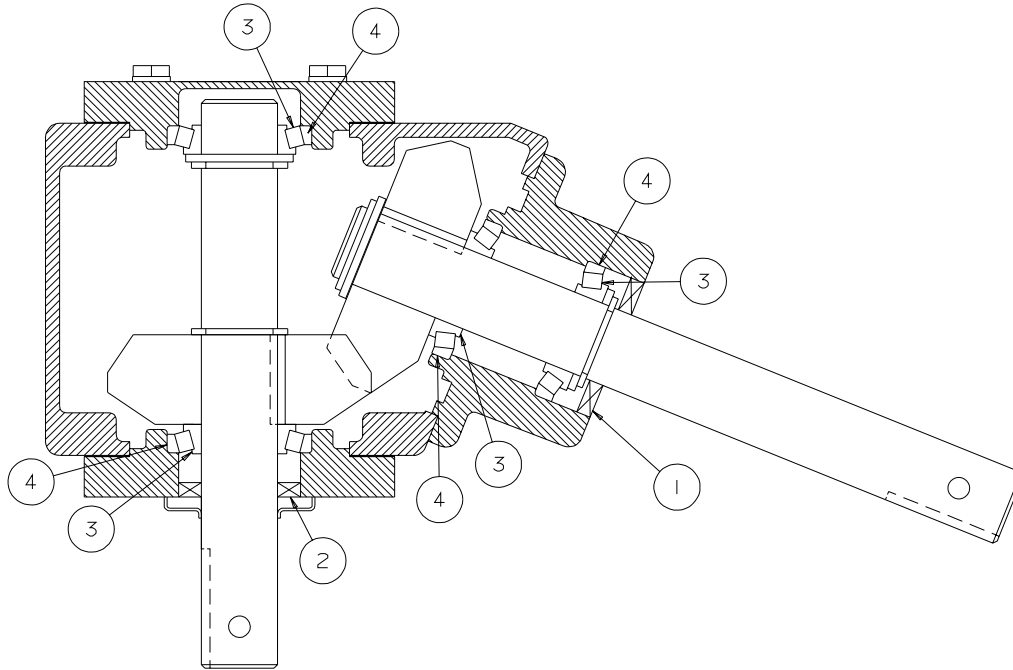


| REF # | PART NO. | DESCRIPTION | QTY. |
|-------|------------|---|------|
| 1 | B00377610 | Inboard Yoke - Tractor End - 1 3/4"- 20 Spline | 1 |
| 2 | B00377309 | Cross & Bearing Kit | 1 |
| 3 | B00377308 | Outer Tube & Sleeve - Tractor End | 1 |
| 4 | B00377307 | Inner Shaft - Implement End | 1 |
| 5 | B00377306 | Spring Pin - 10mm x 75mm | 1 |
| 6 | B00377305 | Outboard Yoke - Implement End | 1 |
| 7 | B00377304 | Cross & Bearing Kit | 1 |
| 8 | B00377303 | Double Yoke | 1 |
| 9 | B00377302 | Cross & Bearing Kit | 1 |
| 10 | B00377301 | Shear Bolt Clutch Yoke - 1 3/4"- 20 Spline | 1 |
| 11 | B001298 | Shear Bolt - 10mm x 60mm - Gr.8.8 | 1 |
| 12 | B001350 | Shear Nut - 10mm | 1 |
| 13 | B00377313 | Bearing Ring | 2 |
| 14 | B00377316 | Guard Cone - 7 Rib | 1 |
| 15 | B003994007 | Shield Screw | 10 |
| 16 | B00377322 | Reinforcing Collar | 1 |
| 17 | B00377315 | Inner Shield Tube | 1 |
| 18 | B003994011 | Support Bearing | 1 |
| 19 | B00377314 | Outer Shield Tube | 1 |
| 20 | B00377312 | Flex Net & Guard Assembly | 1 |
| 21 | B003994010 | Restraint Chain | 2 |
| 22 | B00377311 | CV Guard & Bearing Assembly | 1 |
| 23 | B00377323 | Lubrication Decal | 1 |
| NS | B003787 | Implement End of Shaft c/w Guard - 1 3/4" 20 Spline | 1 |
| NS | B003789 | Tractor End of Shaft c/w Guard - 1 3/4" 20 Spline | 1 |

UPPER GEARBOX - B0030245

13" HP MDSA AUGERS

HP SERIES AUGER



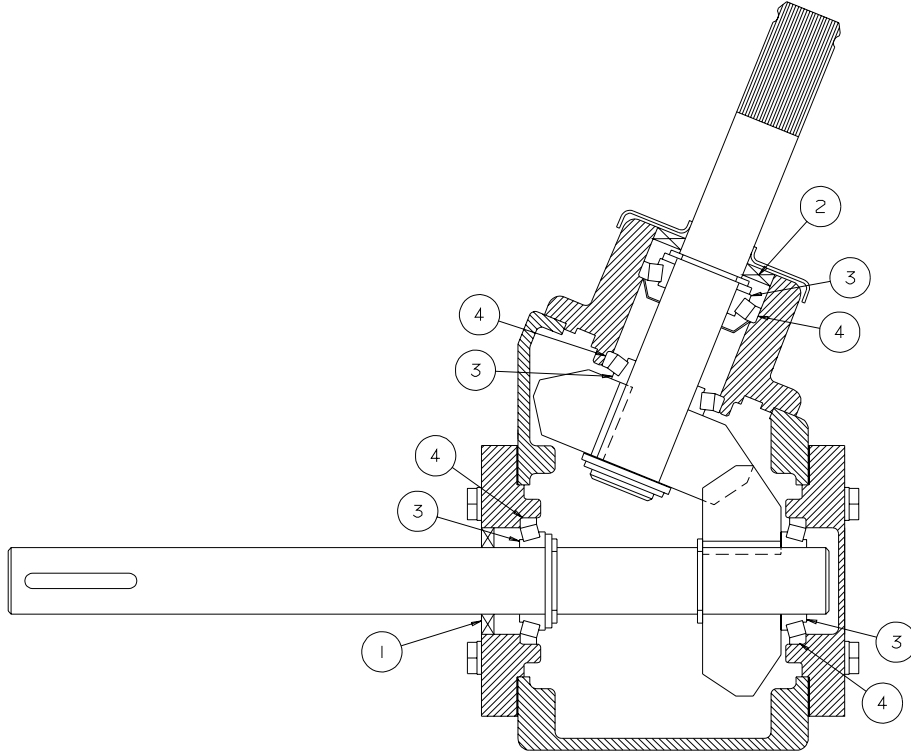
Upper Gearbox - B0030245

| REF # | PART # | DESCRIPTION | QTY |
|-------|------------|----------------------|-----|
| 1 | B003023510 | Input Shaft Seal | 1 |
| 2 | B003023511 | Output Shaft Seal | 1 |
| 3 | B003023505 | Bearing Cone LM48548 | 4 |
| 4 | B003023506 | Bearing Cup LM48510 | 4 |

LOWER GEARBOX - B0030234

13" HP MDSA AUGERS

HP SERIES AUGER

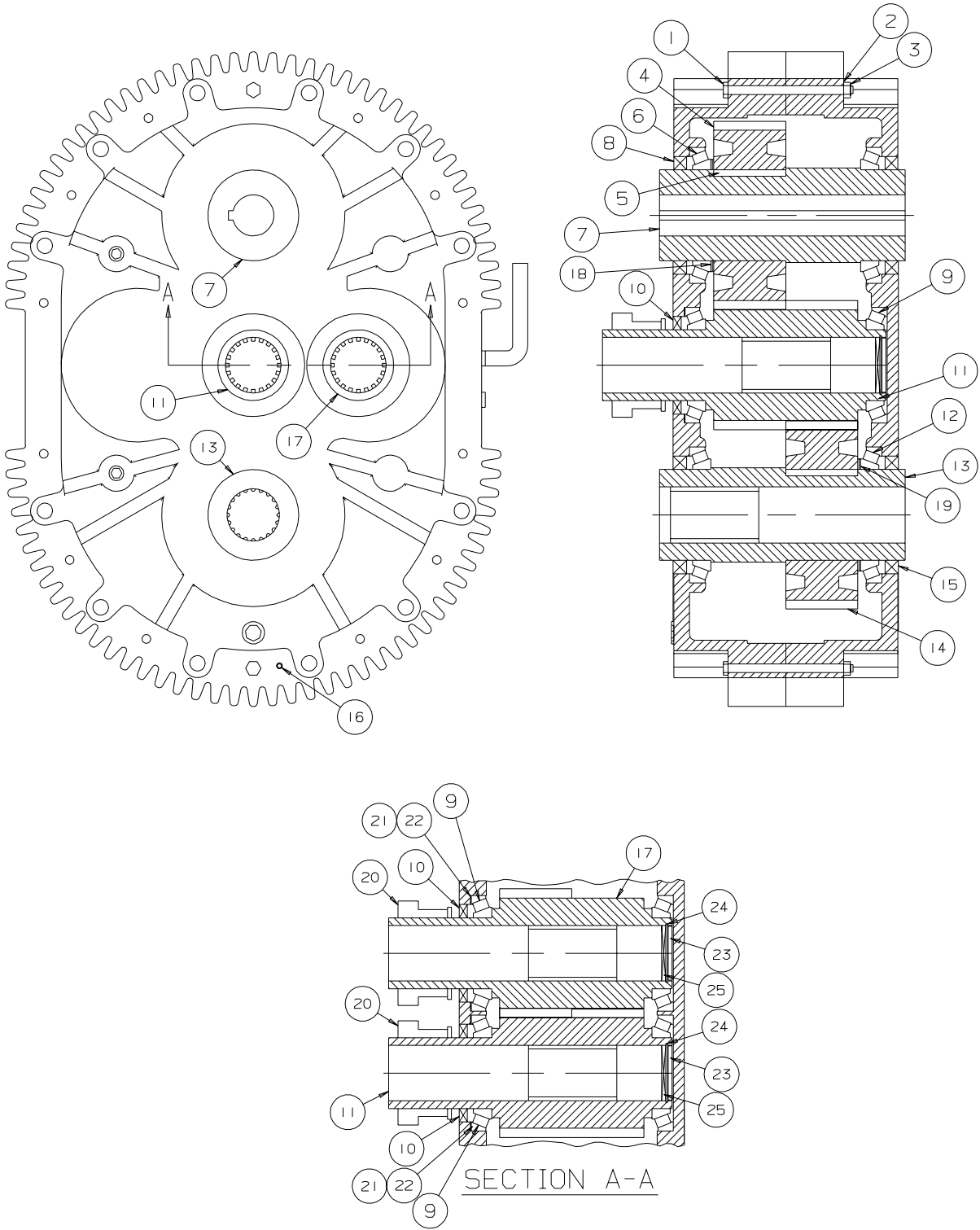


Lower Gearbox - B0030234

| REF # | PART # | DESCRIPTION | QTY |
|-------|------------|----------------------|-----|
| 1 | B003023511 | Input Shaft Seal | 1 |
| 2 | B003023510 | Output Shaft Seal | 1 |
| 3 | B003023505 | Bearing Cone LM48548 | 4 |
| 4 | B003023506 | Bearing Cup LM48510 | 4 |

MAIN DRIVE GEARBOX - B003008

13" HP MDSA AUGERS



B003008 13" HP AUGER DECREASER GEARBOX - 1.84: 1 - COMPLETE

| REF # | PART NO. | DESCRIPTION | QTY |
|-------|-----------|----------------------------------|-----|
| 1 | B00300803 | 5/16" x 110mm BOLT | 14 |
| 2 | B00300804 | 5/16" WASHER | 14 |
| 3 | B00300805 | 5/16" NUT | 14 |
| 4 | B00300806 | OUTPUT GEAR, M4.5, 35 TOOTH | 1 |
| 5 | B00300807 | KEY, 12mm x 8mm x 49mm | 2 |
| 6 | B00300814 | BEARING, 32015 | 2 |
| 7 | B00300809 | OUTPUT SHAFT c/w KEY | 1 |
| 8 | B00300810 | VITON SEAL, 95mm x 75mm x 10mm | 2 |
| 9 | B00300811 | BEARING, 32912 | 4 |
| 10 | B00300812 | SEAL, 80mm x 60mm x 10mm | 2 |
| 11 | B00300813 | IDLER SLEEVE, 19 TOOTH | 1 |
| 12 | B00300814 | BEARING, 32015 | 2 |
| 13 | B00300815 | OUTPUT SHAFT c/w SPLINE | 1 |
| 14 | B00300816 | OUTPUT GEAR, M4.5, 35 TOOTH | 1 |
| 15 | B00300810 | VITON SEAL, 95mm x 75mm x 10mm | 2 |
| 16 | B00300818 | PIN, 5mm x 30mm | 2 |
| 17 | B00300822 | INPUT SHAFT, 19 TOOTH | 1 |
| 18 | B00300823 | SPACER | A/R |
| 19 | B00300824 | SPACER | A/R |
| 20 | B00300825 | LOCKING SYSTEM | 2 |
| 21 | B00300830 | SHIM - 85mm OD x 75mm ID x 0.1mm | AR |
| 22 | B00300831 | SHIM - 85mm OD x 75mm ID x 0.2mm | AR |
| 23 | B00300832 | STAMPING COVER | 2 |
| 24 | B00300833 | SNAP RING | 2 |
| 25 | B00300834 | SEAL COVER | 2 |
| NS | B0030081 | REMOVABLE INPUT SHAFT, 1 3/4" | 1 |