

13''x 70', 80' & 90'

XL & HP

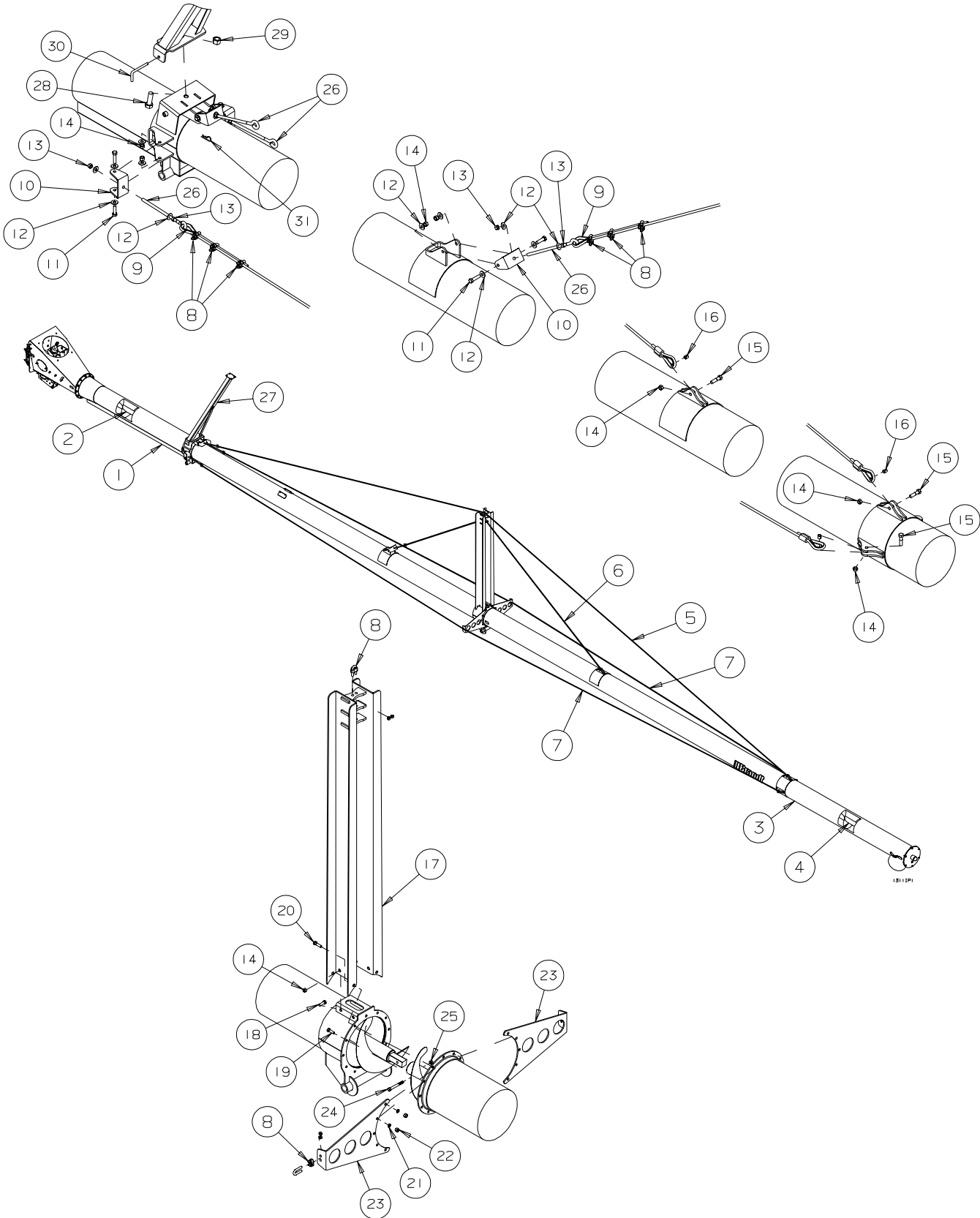
MECHANICAL DRIVE

SWING AWAY AUGER

PARTS LISTS SERIAL NOS.

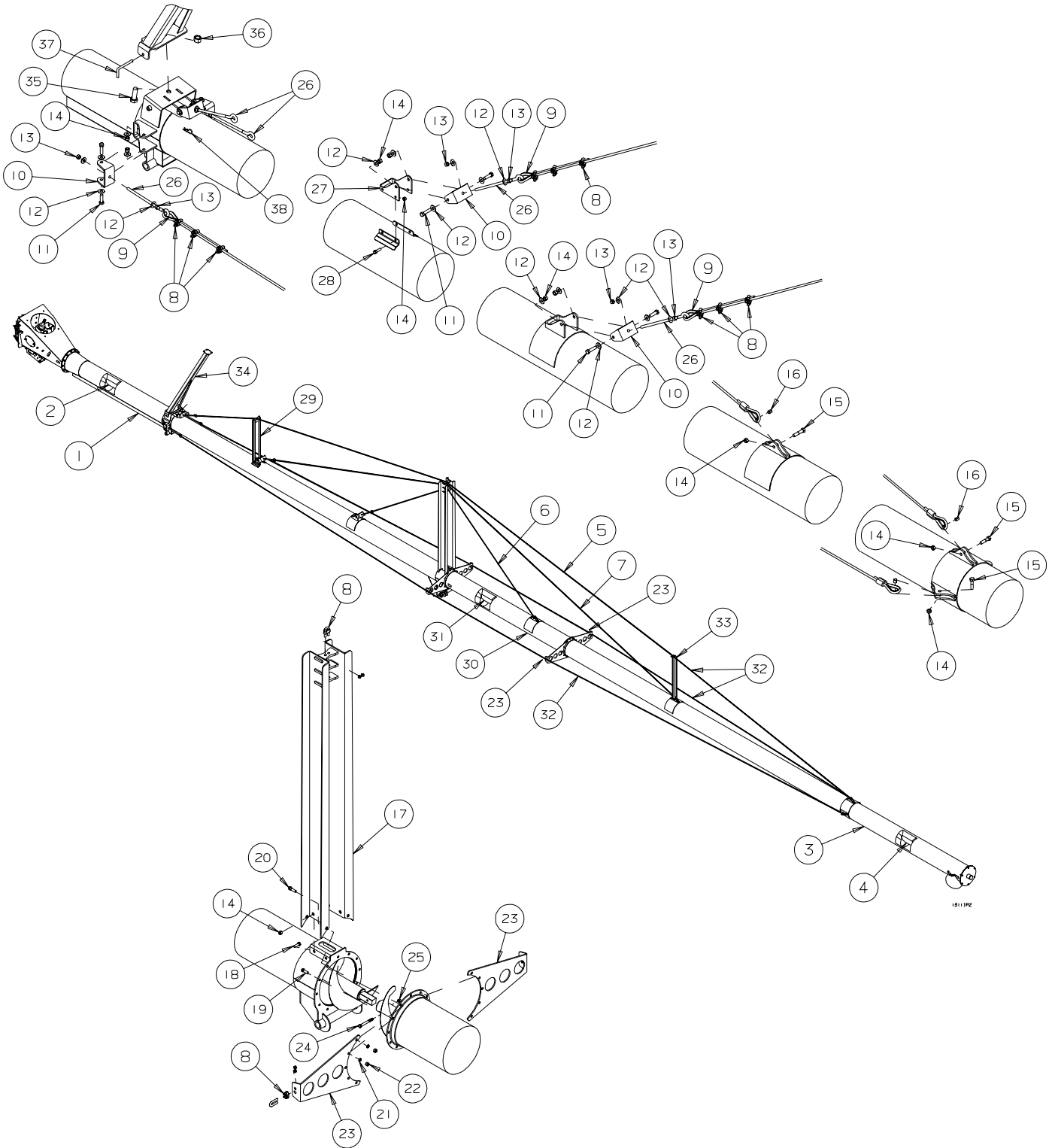
97999 - 98053

1370 XL & HP TUBE ASSEMBLY
SERIAL NOS. 97999 - 98053



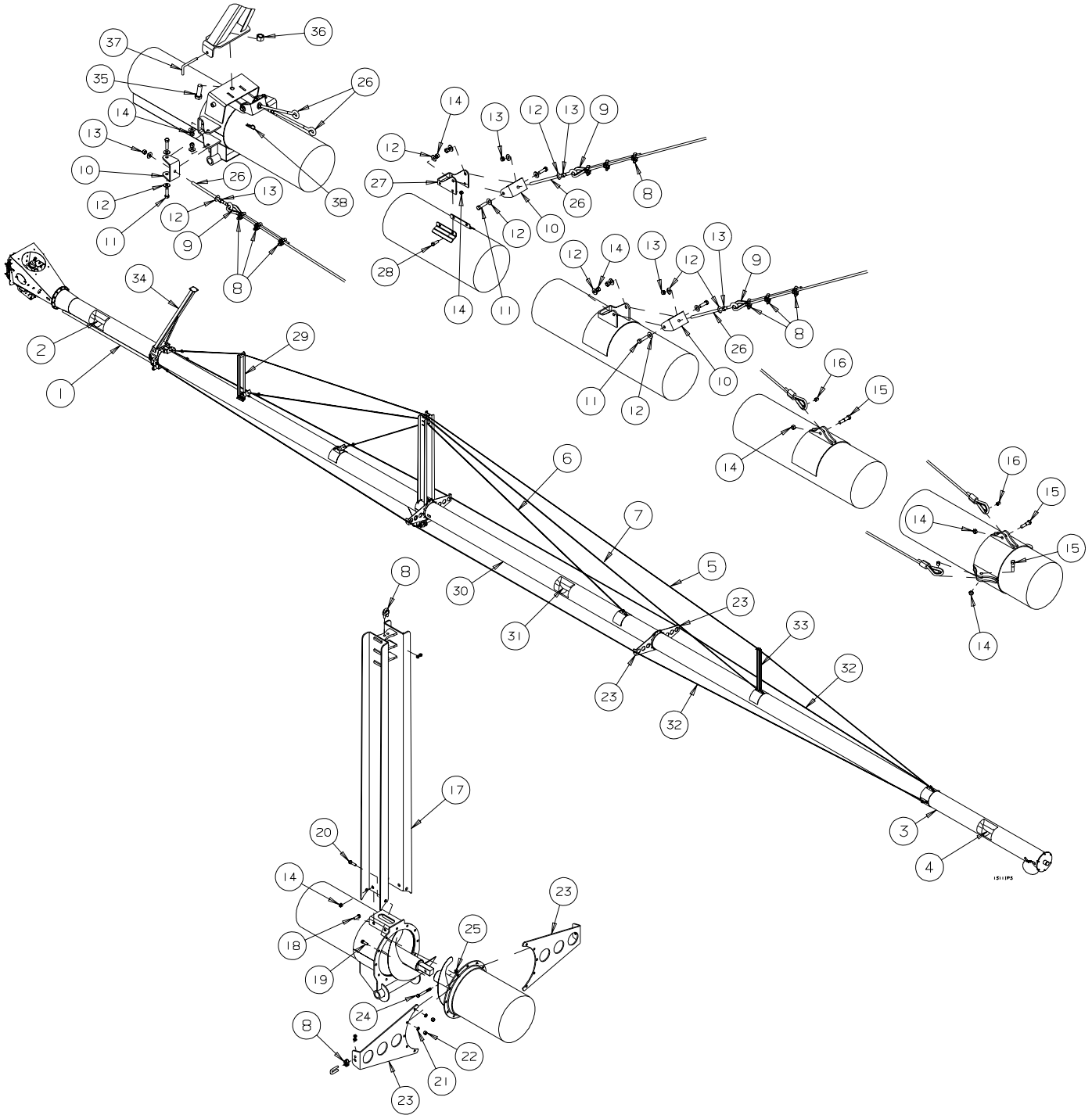
REF #	PART NO.	DESCRIPTION	QTY
1	C310386	XL series Lower Tube Weldment	1
1	C310264	HP series Lower Tube Weldment	1
2	C311328	XL series Lower Flight Weldment	1
2	C306060	HP series Lower Flight Weldment	1
3	C310265	Upper Tube Weldment - All	1
4	C306069	Upper Flight Weldment - All	1
5	B0083107	1/2" dia x 50' Truss Cable	1
6	B0083093	1/2" dia x 20.5' Truss Cable	1
7	B0083107	1/2" dia x 50' Truss Cable	2
8	B008085	1/2" Cable Clamp	16
9	B008086	1/2" Cable Thimble	4
10	C310272	Swivel Mount Plate	4
11	B001070	5/8"x 2" Bolt	8
12	B001153	5/8" Flatwasher	32
13	B001139	5/8" Hex Nut	8
14	B0011415	5/8" Stover Lock Nut	16
15	B001071	5/8"x 2 1/2" Bolt	4
16	B002311	Buttite Spacer - 5/8" ID x 3/4" lg.	4
17	C310271	Large Truss Tower	1
18	B001068	5/8"x 1 1/4" Bolt	4
19	B001041	1/2"x 1 1/2" Bolt	10
20	B001043	1/2"x 1 3/4" Bolt	2
21	B001167	1/2" Lockwasher	12
22	B001135	1/2" Hex Nut	12
23	C309219	Lateral Cable Mount	2
24	B001054	1/2" x 4" Bolt	1
25	B001134	1/2" Stover Lock Nut	1
26	B0020247	5/8"x 16" Eyebolt	4
27	C310303	Swing Tube Lift Arm	1
28	B0011153	1" x 2" Bolt	1
29	B001075	1" Stover Lock Nut	1
30	B0020297	1/2" x 2 3/4" L-Pin	1
31	B002094	1/8" x 2 9/16" Hair Pin Clip	1

1380 XL & HP TUBE ASSEMBLY
SERIAL NOS. 97999 - 98053



REF #	PART NO.	DESCRIPTION	QTY
1	C310386	XL series Lower Tube Weldment	1
1	C310264	HP series Lower Tube Weldment	1
2	C311328	XL series Lower Flight Weldment	1
2	C306060	HP series Lower Flight Weldment	1
3	C310265	Upper Tube Weldment - All	1
4	C306069	Upper Flight Weldment - All	1
5	B0083091	1/2" dia x 60' Truss Cable	1
6	B0083093	1/2" dia x 20.5' Truss Cable	1
7	B0083092	1/2" dia x 38.5' Truss Cable	1
8	B008085	1/2" Cable Clamp	24
9	B008086	1/2" Cable Thimble	5
10	C310272	Swivel Mount Plate	5
11	B001070	5/8"x 2" Bolt	10
12	B001153	5/8" Flatwasher	20
13	B001139	5/8" Hex Nut	10
14	B0011415	5/8" Stover Lock Nut	13
15	B001072	5/8"x 3" Bolt	5
16	B002311	Buttite Spacer - 5/8" ID x 3/4" lg.	5
17	C310271	Large Truss Tower	1
18	B001068	5/8"x 1 1/4" Bolt	4
19	B001041	1/2"x 1 1/2" Bolt	10
20	B001043	1/2"x 1 3/4" Bolt	2
21	B001167	1/2" Lockwasher	12
22	B001135	1/2" Hex Nut	12
23	C309219	Lateral Cable Mount	4
24	B001054	1/2" x 4" Bolt	1
25	B001134	1/2" Stover Lock Nut	1
26	B0020247	5/8"x 16" Eyebolt	5
27	C310302	Removable Swivel Mount Plate	1
28	B001069	5/8" x 1 1/2" Bolt	4
29	C311388	Lower Truss Tower	1
30	C310294	10' Centre Tube Weldment	1
31	C310295	10' Centre Flight Weldment	1
32	B0083091	1/2" dia x 60' Truss Cable	2
33	C311387	Upper Truss Tower	1
34	C310303	Swing Tube Lift Arm	1
35	B0011153	1" x 2" Bolt	1
36	B001075	1" Stover Lock Nut	1
37	B0020297	1/2" x 2 3/4" L-Pin	1
38	B002094	1/8" x 2 9/16" Hair Pin Clip	1

1390 XL & HP TUBE ASSEMBLY
SERIAL NOS. 97999 - 98053

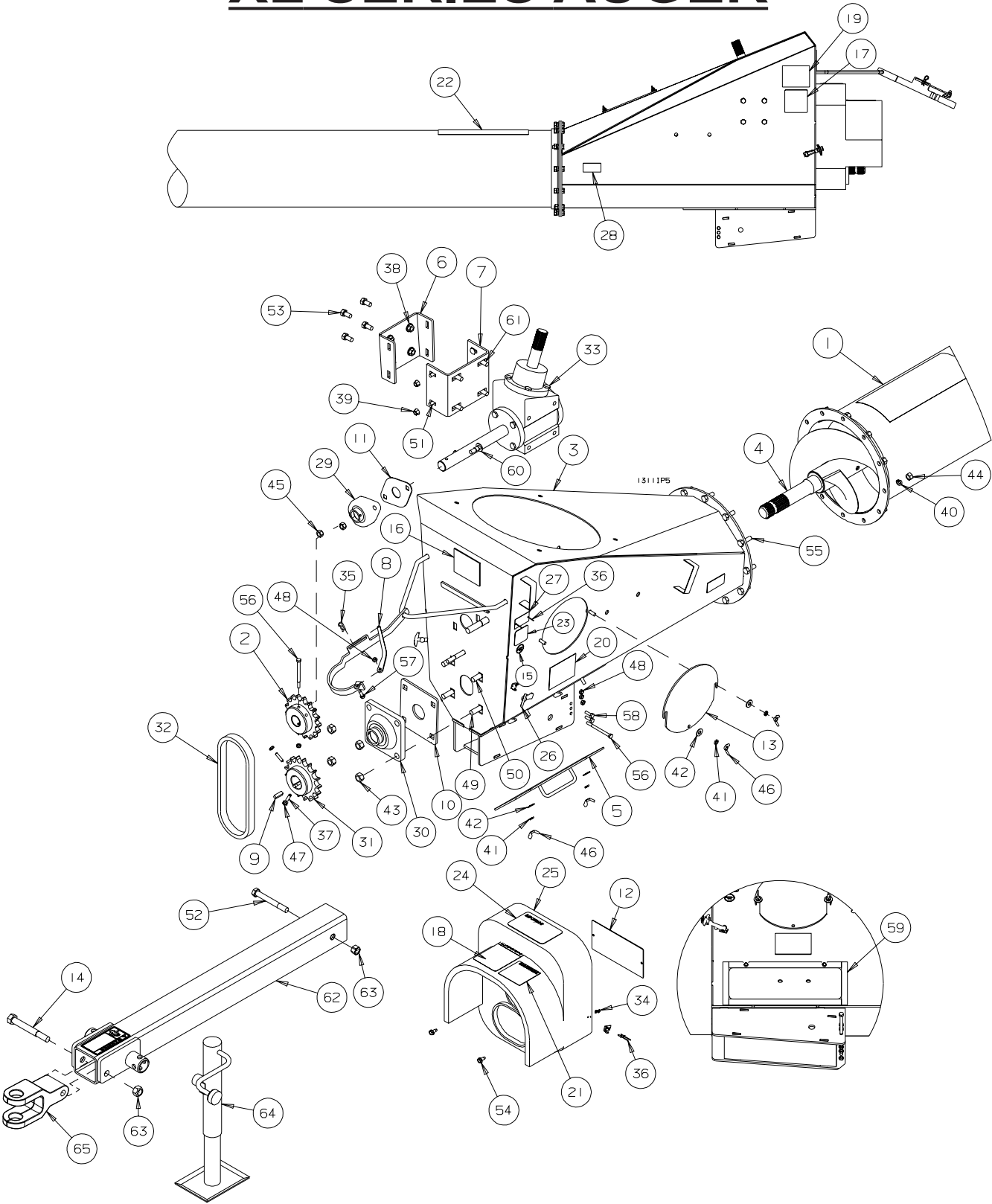


REF #	PART NO.	DESCRIPTION	QTY
1	C310386	XL series Lower Tube Weldment	1
1	C310264	HP series Lower Tube Weldment	1
2	C311328	XL series Lower Flight Weldment	1
2	C306060	HP series Lower Flight Weldment	1
3	C310265	Upper Tube Weldment - All	1
4	C306069	Upper Flight Weldment - All	1
5	B0083089	1/2" dia x 71.5' Truss Cable	1
6	B0083103	1/2" dia x 27' Truss Cable	1
7	B0083105	1/2" dia x 47' Truss Cable	1
8	B008085	1/2" Cable Clamp	24
9	B008086	1/2" Cable Thimble	5
10	C310272	Swivel Mount Plate	5
11	B001070	5/8"x 2" Bolt	10
12	B001153	5/8" Flatwasher	20
13	B001139	5/8" Hex Nut	10
14	B0011415	5/8" Stover Lock Nut	13
15	B001072	5/8"x 3" Bolt	5
16	B002311	Buttite Spacer - 5/8" ID x 3/4" lg.	5
17	C310271	Large Truss Tower	1
18	B001068	5/8"x 1 1/4" Bolt	4
19	B001041	1/2"x 1 1/2" Bolt	10
20	B001043	1/2"x 1 3/4" Bolt	2
21	B001167	1/2" Lockwasher	12
22	B001135	1/2" Hex Nut	12
23	C309219	Lateral Cable Mount	4
24	B001054	1/2" x 4" Bolt	1
25	B001134	1/2" Stover Lock Nut	1
26	B0020247	5/8"x 16" Eyebolt	5
27	C310302	Removable Swivel Mount Plate	1
28	B001069	5/8" x 1 1/2" Bolt	4
29	C311388	Lower Truss Tower	1
30	C310266	20' Centre Tube Weldment	1
31	C307100	20" Centre Flight Weldment	1
32	B0083089	1/2" dia x 71.5' Truss Cable	2
33	C311387	Upper Truss Tower	1
34	C310303	Swing Tube Lift Arm	1
35	B0011153	1" x 2" Bolt	1
36	B001075	1" Stover Lock Nut	1
37	B0020297	1/2" x 2 3/4" L-Pin	1
38	B002094	1/8" x 2 9/16" Hair Pin Clip	1

INTAKE BOOT ASSEMBLY - 13" XL MDSA AUGER

SERIAL NOS. 97999 - 98053

XL SERIES AUGER

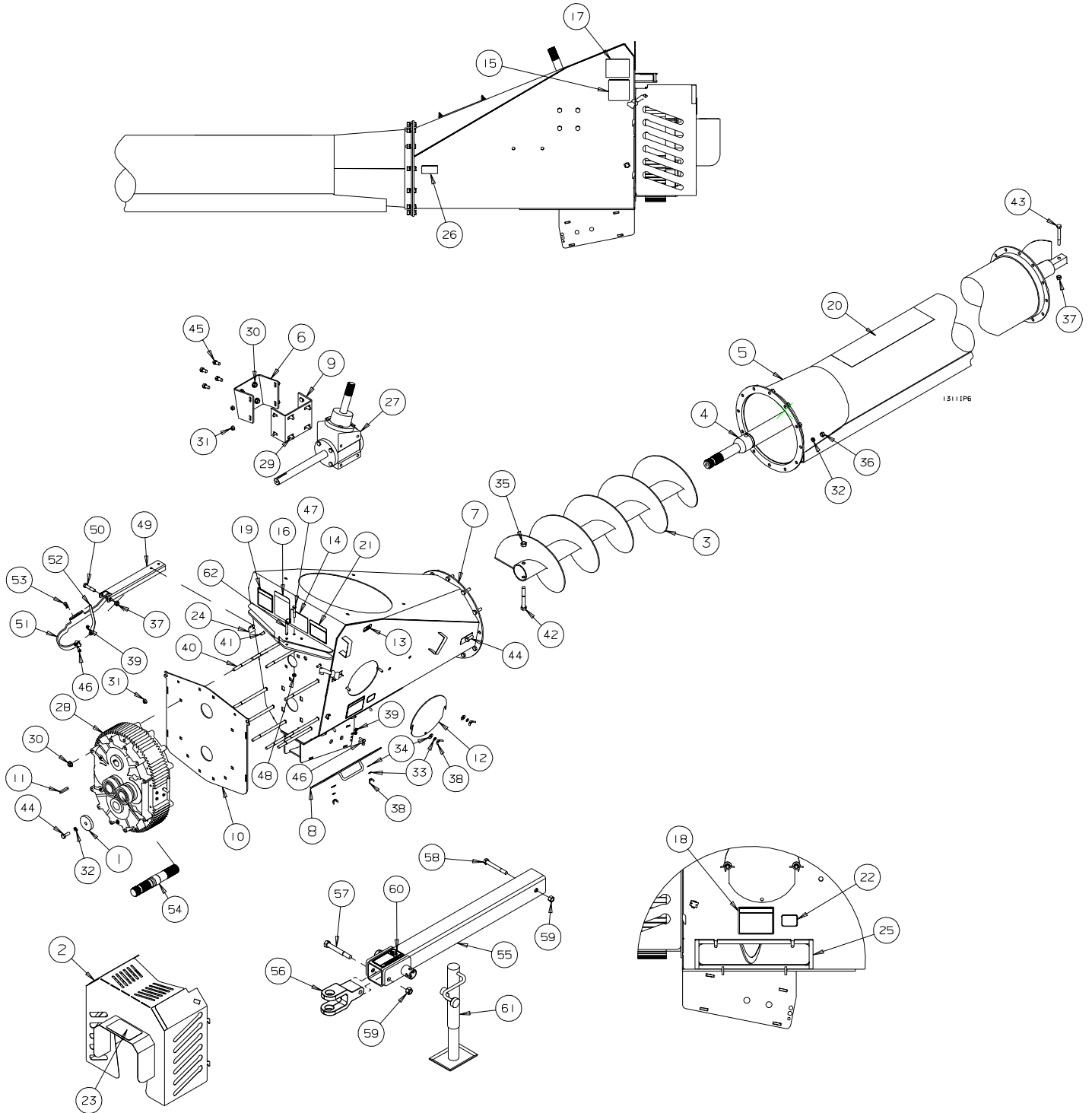


REF	PART NO.	DESCRIPTION	QTY	REF	PART NO.	DESCRIPTION	QTY
1	C310386	Lower Tube Weld	1	36	B0020795	1/8"x .640" Pop Rivet	6
2	C306773	80-17 Sprocket- 1.38" bore	1	37	B0020419	3/8"x 1.25" Set Screw	2
3	C306615	Long Intake Boot	1	38	B001409	1/2" Serr. Flange Nut	4
4	C311328	Lower Flight Weld	1	39	B001405	3/8" Serr. Flange Nut	4
5	C306055	Boot Clean Out Door	1	40	B001167	1/2" Lock Washer	16
6	C306052	Outer Gearbox Mount	1	41	B001165	3/8" Lock Washer	4
7	C306051	Inner Gearbox Mount	1	42	B001149	3/8" Flat Washer	4
8	C305026	PTO Clasp	1	43	B0011415	5/8" Stover Lock Nut	4
9	C302884	3/8" Key x 1 1/4" long	1	44	B001135	1/2" Hex Nut	16
10	C302713	Bearing Plate		45	B001134	1/2" Stover Lock Nut	3
11	C301853	Upper Bearing Shield	1	46	B0011327	3/8" Wing Nut	4
12	B199007	540 Cover Plate	1	47	B001130	3/8" Jam Nut	2
13	B198362	Boot Access Cover	1	48	B0011275	5/16" Stover Lock Nut	8
14	B001111	3/4"x 6" Bolt	1	49	B0010939	5/8"x 2" Carriage Bolt	3
15	B029950	8 hr Grease Decal	1	50	B0010938	5/8"x 1 3/4" Carriage Bolt	1
16	B029410	Swing Auger Decal	1	51	B001082	3/8"x 1" Carriage Bolt	4
17	B029350	Hydraulic Oil Decal	1	52	B0011105	3/4"x 5 1/2" Bolt	1
18	B029340	Remove PTO Decal	1	53	B001039	1/2"x 1" Bolt	4
19	B029330	Needle Valve Decal	1	54	B0010095	5/16"x 3/4" Screw	2
20	B029310	Cleanout Covers Decal	1	55	B001040	1/2"x 1 1/4" Bolt	14
21	B029111	Moving Part Hazard Decal	1	56	B001019	5/16"x 4" Bolt Gr. 5	3
22	B029100	Combo. Danger Decal	1	57	B001010	5/16"x 1" Bolt Gr. 5	1
23	B029074	13" Shear Bolt Decal	1	58	B0010101	5/16"x 1" Bolt Gr. 8	4
24	B029061	Hitch/PTO Decal	1	59	B021994	1/8"x 3/4" Foam	3.3'
25	B027504	Plastic Boot Shield	1	60	B001088	1/2"x 1 1/2" Carriage Bolt	2
26	B021996	3" Rubber T Handle	2	61	B001453	1/2"x 1" Serr. Flange Bolt	4
27	B021899	Serial No. Plate	1	62	C311367	13" Hitch Tube Weld	1
28	B0210275	Amber Reflect. Tape	2	63	B001143	3/4" Lock Nut	2
29	B017203	1 3/8" Bearing - 2 Bolt	1	64	B030500	2000 lb Side Wind Jack	1
30	B017178	1 3/4" Bearing - 4 Bolt	1	65	C311318	Hitch Clevis	1
31	B0094205	80-17 Sprocket- 1.75" bore	1				
32	B0090255	R80x36 Chain c/w Conn.	1				
33	B0030236	13" Lower Gearbox	1				
34	B002457	1/8" Backup Washer	4				
35	B002094	1/8"x 1 9/16" Hair Pin	1				

INTAKE BOOT ASSEMBLY - 13" HP MDSA AUGER

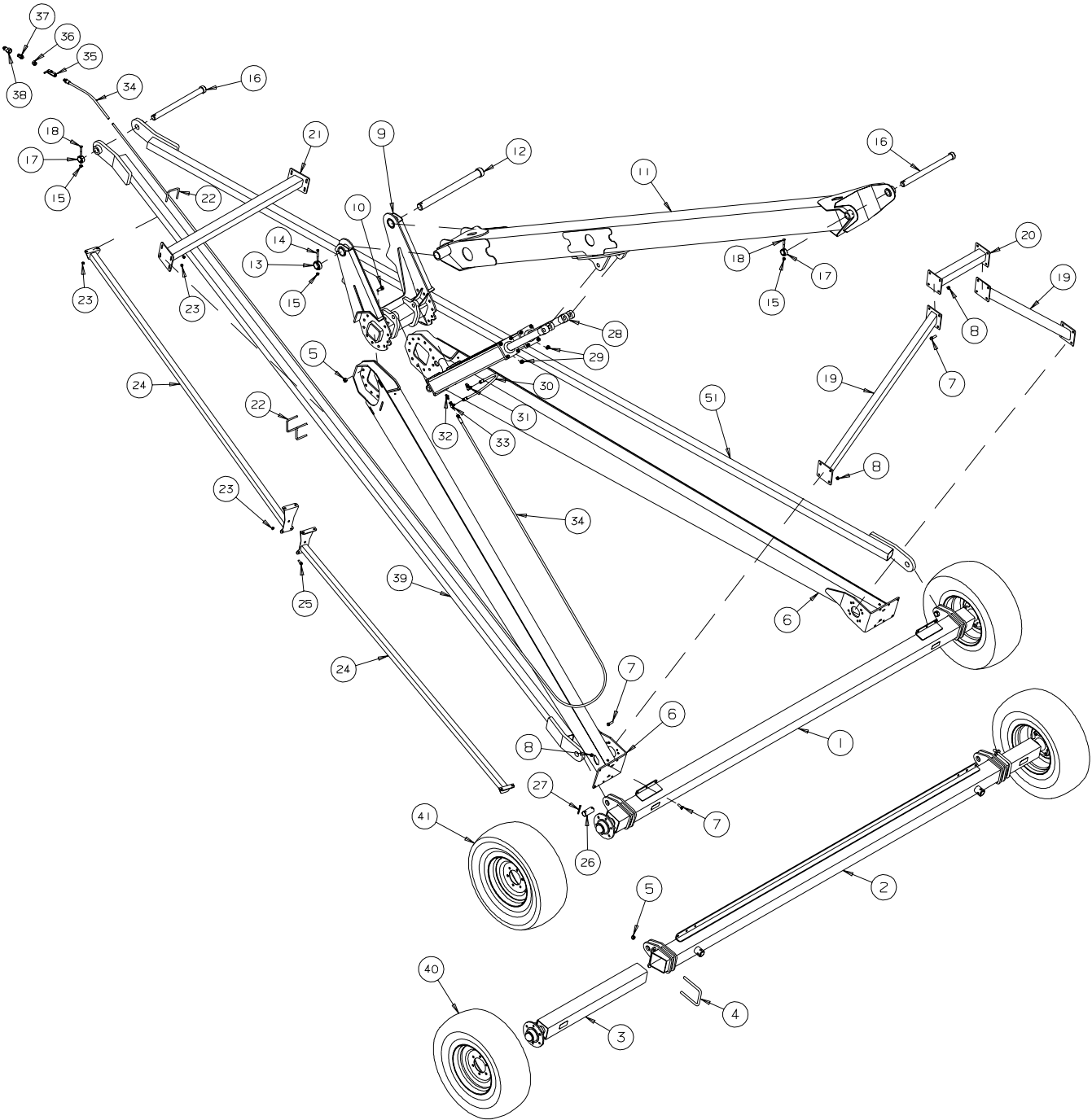
SERIAL NOS. 97999 - 98053

HP SERIES AUGER



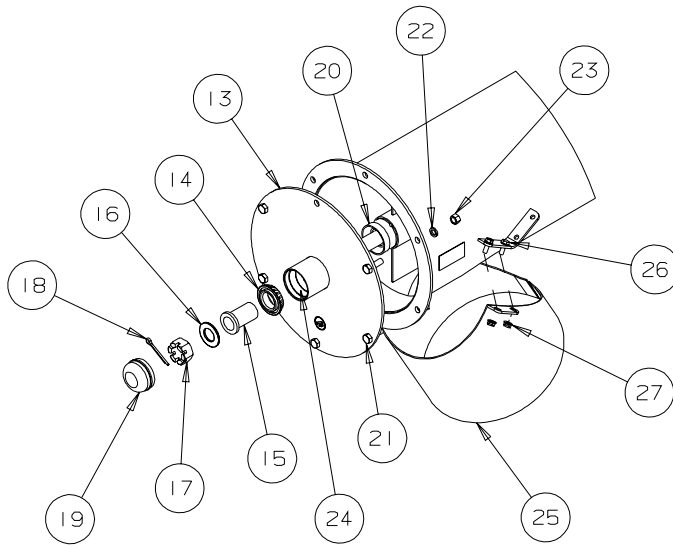
REF	PART NO.	DESCRIPTION	QTY	REF	PART NO.	DESCRIPTION	QTY
1	C306081	Retaining Washer	1	36	B001135	1/2" Nut	16
2	C306074	Gearbox Front Guard	1	37	B001134	1/2" Stover Lock Nut	1
3	C306061	13" Booster Flight	1	38	B0011327	3/8" Wing Nut	4
4	C306060	Lower Flight Weld	1	39	B0011275	5/16" Stover Lock Nut	4
5	C310264	Lower Tube Weld	1	40	B0010934	1/2"x 9" Carriage Bolt	10
6	C306057	Outer Gearbox Mount	1	41	B001082	3/8"x 1" Carriage Bolt	6
7	C306056	HP Boot Weld	1	42	B0010741	5/8"x 4 1/2" Bolt- Gr.8	1
8	C306055	Boot Cleanout Door	1	43	B0010575	1/2"x 4" Bolt - Gr.8	1
9	C306051	Inner Gearbox Mount	1	44	B001040	1/2"x 1 1/4" Bolt	13
10	C305016	Boot Face Plate	1	45	B001039	1/2"x 1" Bolt	4
11	C202407	5/16"x 2" Key	1	46	B001010	5/16"x 1" Bolt	4
12	B198362	Boot Access Cover	1	47	B001030	3/8"x 2 1/4" Bolt	1
13	B029455	Auger Patent Decal	1	48	B0011325	3/8" Stover Lock Nut	1
14	B029410	Swing Auger Decal	1	49	C306075	PTO Channel Support	1
15	B029350	Hydraulic Oil Decal	1	50	B001048	1/2"x 3" Bolt	1
16	B029340	Remove PTO Decal	1	51	C306076	13" PTO Holder	1
17	B029330	Needle Valve Decal	1	52	C305026	PTO Clasp	1
18	B029310	Cleanout Covers Decal	1	53	B002094	1/8"x 1 9/16" Hair Pin	1
19	B029111	Moving Part Hazard Decal	1	54	B0030081	Gearbox Drive Shaft	1
20	B029100	Combo. Danger Decal	1	55	C311367	13" Hitch Tube	1
21	B029091	Caution Hot Surface Decal	1	56	C311318	Cast Hitch Clevis	1
22	B029075	13" HP Shear Bolt Decal	1	57	B001111	3/4" x 6" Bolt	1
23	B0290615	13" HP Hitch/PTO Decal	1	58	B0011105	3/4" x 5 1/2" Bolt	1
24	B0219992	Rubber Latch	2	59	B001143	3/4" Lock Nut	2
25	B021994	1/8"x 3/4" Foam	3.3'	60	B029970	Hitch Pin Decal	1
26	B0210275	Amber Reflect. Tape	2	61	B030500	2000 lb Side Wind Jack	1
27	B0030235	13" Lower Gearbox	1	62	B002104	3/8"x 2" Quick Release Pin	1
28	B003008	Helical Gearbox	1				
29	B001453	1/2"x 1" SF Bolt	4				
30	B001409	1/2" SF Nut	14				
31	B001405	3/8" SF Nut	6				
32	B001167	1/2" Lock Washer	17				
33	B001165	3/8" Lock Washer	4				
34	B001149	3/8" Flat Washer	4				
35	B0011415	5/8" Lock Nut	1				

13" XL & HP UNDERCARRIAGE
SERIAL NOS. 97999 - 98053

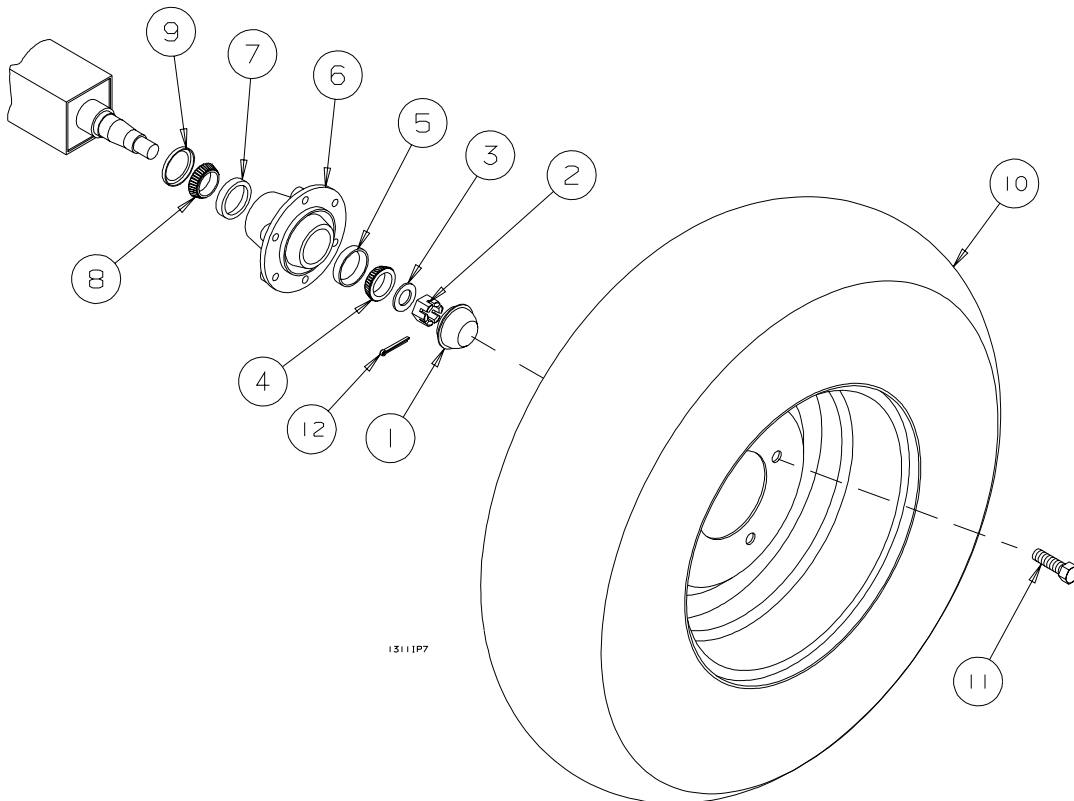


REF #	PART NO.	DESCRIPTION	QTY
1	C310307	70' Axle Weld (no hubs)	1
1	C310307A	70' Axle Ass'y (c/w hubs)	1
2	C310279	80' & 90' Axle Weld	1
3	C310292	Axle Extension (no hubs)	2
3	C310292A	Axle Extension (c/w hubs)	2
4	B0020211	5/8"x 5" Sq. U-bolt x 6 1/2"	2
5	B0011415	5/8" Stover Lock Nut	28
6	C310313	Lift Arm Weldment	2
7	B001040	1/2" x 1 1/4" Bolt	16
8	B001134	1/2" Stover Lock Nut	16
9	C310312	Lift Cross	1
10	B001069	5/8" x 1 1/2" Bolt	24
11	C310273	Ladder	1
12	C311288	2" Scissor Pin	1
13	C311289	2" Pin Bushing	2
14	B0010366	7/16" x 3" Bolt - Gr.8	2
15	B0011337	7/16" Stover Lock Nut	4
16	C311286	1 1/2" Tube Pin	2
17	C311287	1 1/2" Pin Bushing	4
18	B00103649	7/16" x 2 1/2" Bolt - Gr.8	2
19	C310278	Transport Rest Uprite	2
20	C310277	Transport Rest	1
21	C310275	Axle Arm Cross Brace	1
22	B0020163	3/8" x 3" Sq. U-bolt x 4"	12
23	B001405	3/8" Serrated Flange Nut	30
24	C311316	Axle Arm Truss (80' & 90')	4
25	B001432	3/8" x 3/4" SF Bolt	6
26	C310290	1 1/2" x 3" Pin	2
27	B0020606	5/16" x 4" Roll Pin	4
28	B0191677	4"x36" Hydra. Cylinder- 70'	2
NS	B019025	Seal Kit - 4" Cylinder	
28	B0191895	5"x36" Hydra. Cyl.- 80' & 90'	2
NS	B0191896	Seal Kit - 5" Cylinder	
29	B0193051	#6MORB Breather	2
30	B0192495	3/8" Hose x 24" - #6FJICX	1
31	B019464	#6MORB x #6MJIC Elbow	1
32	B019441	#6MORB x #6MJIC Adapter	1
33	B019463	#6 JIC Tee, F, M, M	1
34	B019292	3/8" Hose x 56'	1
35	B019300	Ball Valve - 3/8" FPT	1
36	B019415	3/8"NPT Rest. Adapter- 1/16"	1
37	B019516	3/8" MPTx1/2"MPT Nipple	1
38	B019200	Pioneer Male Tip - 1/2"FPT	1
39	C310274	Axle Arm	2
40	B011219	ST235/85R16 Tire & Rim - 80' & 90'	2
NS	B011218	ST235/85R16 Tire only	
41	B011221	ST225/75R15 Tire& Rim - 70'	2

COMMON PARTS - 13" XL & HP MDSA AUGER
SERIAL NOS. 97999 - 98053



Upper Tube
Head End Assembly



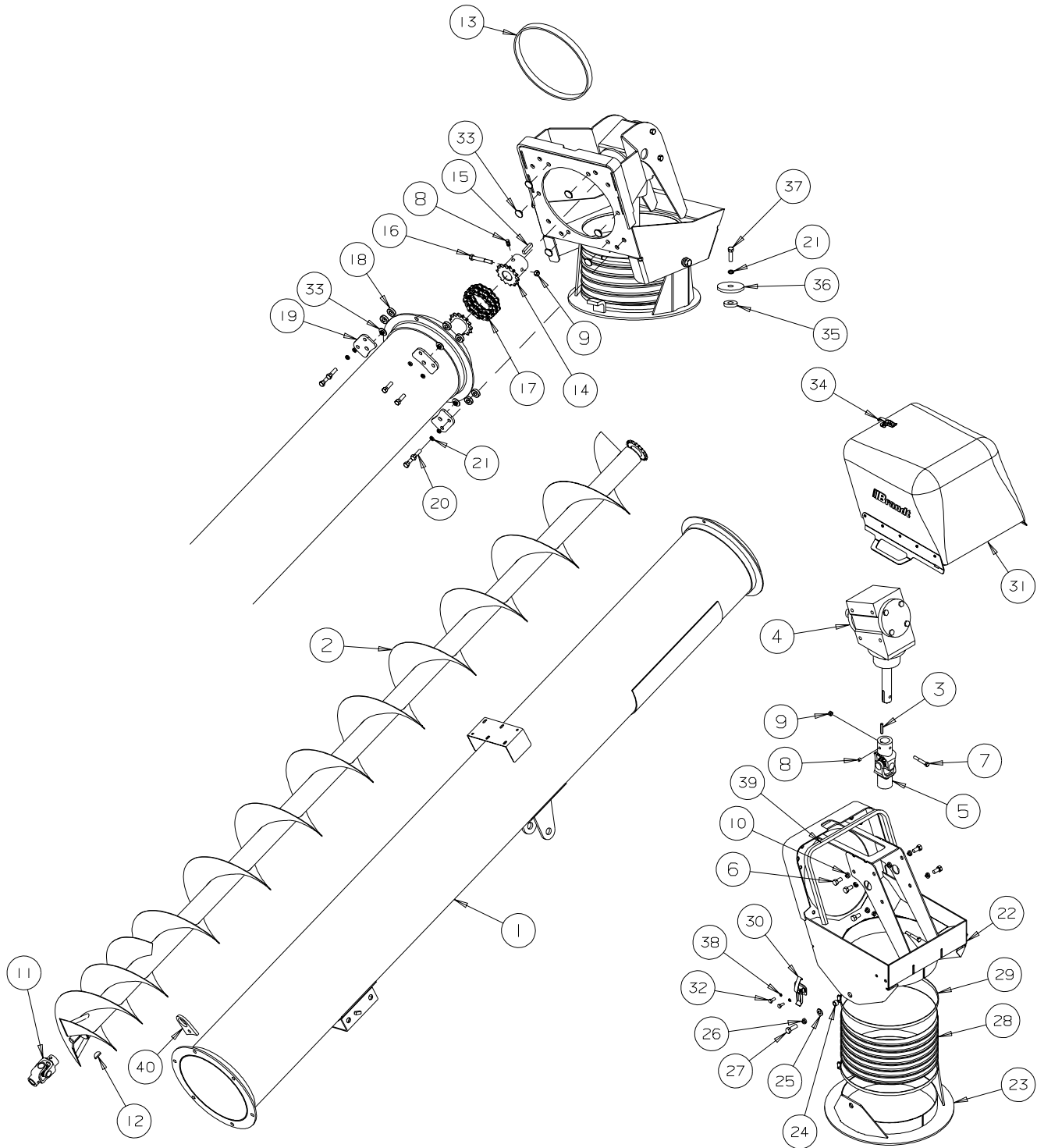
Wheel and Hub Assembly

REF #	PART NO.	DESCRIPTION	QTY
1	B011503	Dust Cap - 6 Bolt Hub	2
2	B011681	1" Castle Nut	2
3	B001158	1" SAE Flatwasher	2
4	B011603	Outer Cone - 6 Bolt Hub - LM67048	2
5	B011602	Outer Cup - 6 Bolt Hub - LM67010	2
6	B011003	6 Bolt Hub c/w Bearings	2
7	B011652	Inner Cup - 6 Bolt Hub - LM29710	2
8	B011651	Inner Cone - 6 Bolt Hub - LM29749	2
9	B011650	Grease Seal - 6 Bolt Hub - 17617	2
10	B011221	P255R70 - 16 Tire and Rim - 70'	2
10	B011219	ST235/85R16 Tire and Rim - 80' & 90'	2
NS	B011218	ST235/85R16 Tire only	
11	B011504	Wheel Bolt	12
12	B002054	3/16"x 2" Cotter Pin	2
13	C306068	Thrust End Plate	1
14	B011651	Tapered Roller Bearing - LM 29749	1
15	B011710	Tapered Bearing Bushing	1
16	B001180	1 1/8" SAE Flatwasher	1
17	B011629	Spindle Nut - 1 1/4"- 12 UNF	1
18	B002054	3/16"x 2" Cotter Pin	1
19	B011502	Dust Cap - DC15	1
20	B011649	Grease Seal - SE11	1
21	B001041	1/2"x 1 1/4" Bolt	6
22	B001167	1/2" Lockwasher	6
23	B001135	1/2" Hex Nut	6
24	B011652	Bearing Race - LM 29710	1
25	C307090	13" Down Spout	1
26	B001433	3/8"x 1" Serrated Flange Bolt	4
27	B0011326	3/8" Locking Flange Nut	4

SWING TUBE ASSEMBLY - 13" XL MDSA AUGER

SERIAL NOS. 97999 - 98053

XL SERIES AUGER



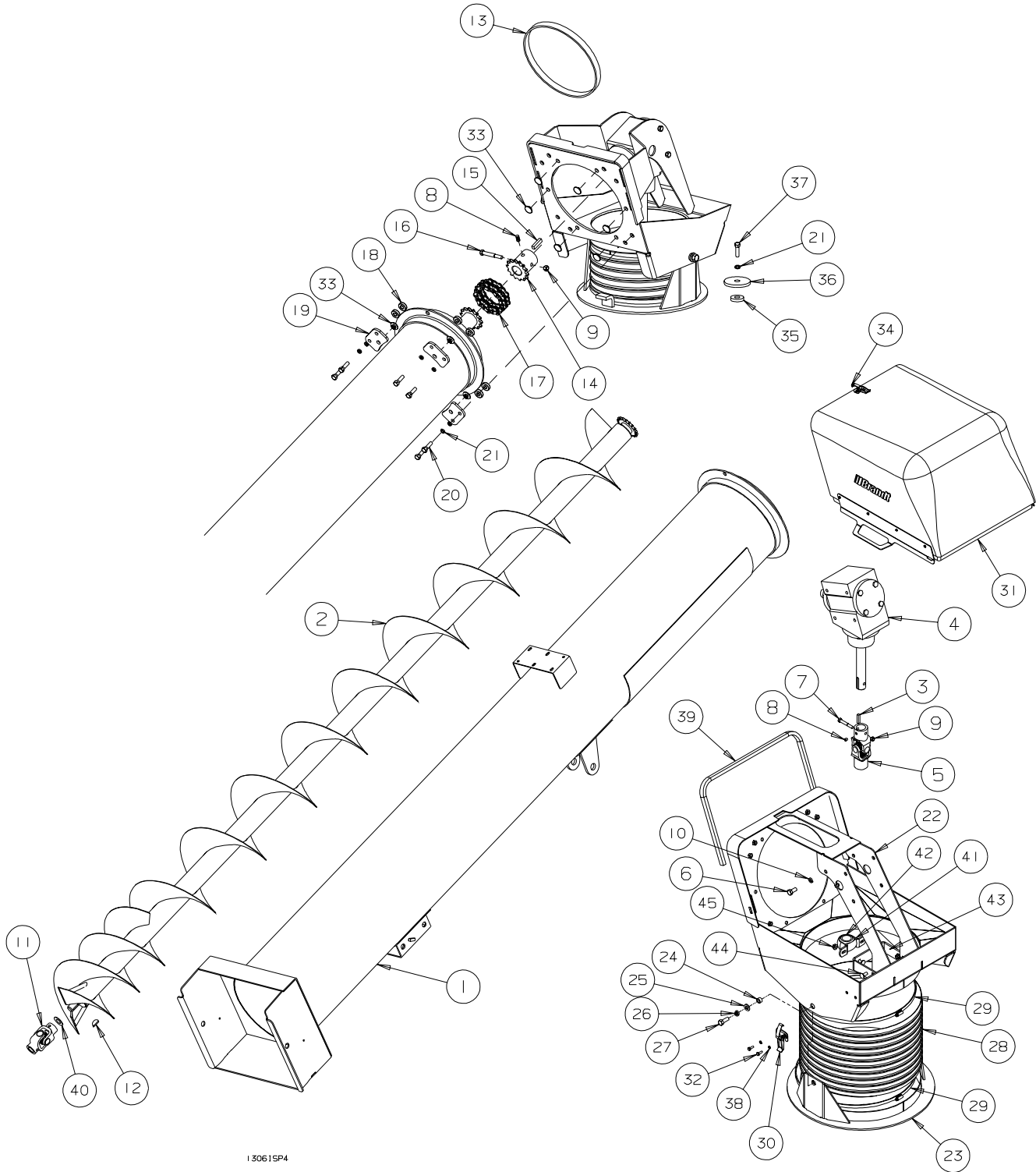
13041SP4

REF#	PART NO.	DESCRIPTION	QTY
1	C308001	Swing Tube	1
2	C304002	Swing Tube Flight	1
3	B194012	5/16" x 1 1/2" Key	1
4	B003024	Gearbox 1:1 - Upper	1
5	B032137	U-Joint - 1 3/8" x 21 Spline	1
6	B001039	1/2" x 1" Bolt	6
7	B001032	3/8" x 2 1/2" Hex Bolt - Gr.5	1
8	B002041	3/8" x 3/8" Set Screw	2
9	B0011325	3/8" Lock Nut	2
10	B001167	1/2" Lock Washer	6
11	B0321125	1" x 1" U-Joint - 6R	1
12	B009700	1.25" x .25" Woodruff Key - #810	1
13	C303972	Spout Tube Seal	1
14	B0090026	#50 - 18 Sprocket - 1 3/8" Bore	1
15	B496680	5/16" X 1 1/2" Key	1
16	B001037	3/8" x 3" Bolt - Gr.8	1
17	B009593	50-2 Chain - 18 Pitch	1
18	B027499	Plastic Spacer Bushing	8
19	C100870	Retainer Plate	4
20	B001025	3/8" x 1 1/4" Bolt	8
21	B001165	3/8" Lockwasher	12
22	C306776	Upper Spout Swivel	1
23	C306777	Lower Spout Swivel	1
24	C100869	Swivel Bushing	2
25	B001152	1/2" SAE Flatwasher	2
26	B001167	1/2" Lock washer	2
27	B001041	1/2" x 1 1/2" Bolt	2
28	C300785	14" Downspout Hose x 12"	1
29	B024214	14" Hose Clamp	2
30	B021100	Large Latch Assembly	2
31	C306811	Plastic Spout Cover Assembly	1
32	B001002	1/4" x 3/4" Bolt	4
33	B027500	Plastic Wear Bushing	10
34	B021110	Small Latch Assembly	1
35	C100889	Small Swing Tube Spacer	4
36	B198361	Large Swing Tube Retainer	4
37	B001031	3/8"x 1 1/2" Bolt	4
38	B001163	1/4" Lock Washer	4
39	13718	Spout Cover Seal	1
40	C309205	Lifting Lug	1

SWING TUBE ASSEMBLY - 13" HP MDSA AUGER

SERIAL NOS. 97999 - 98053

HP SERIES AUGER

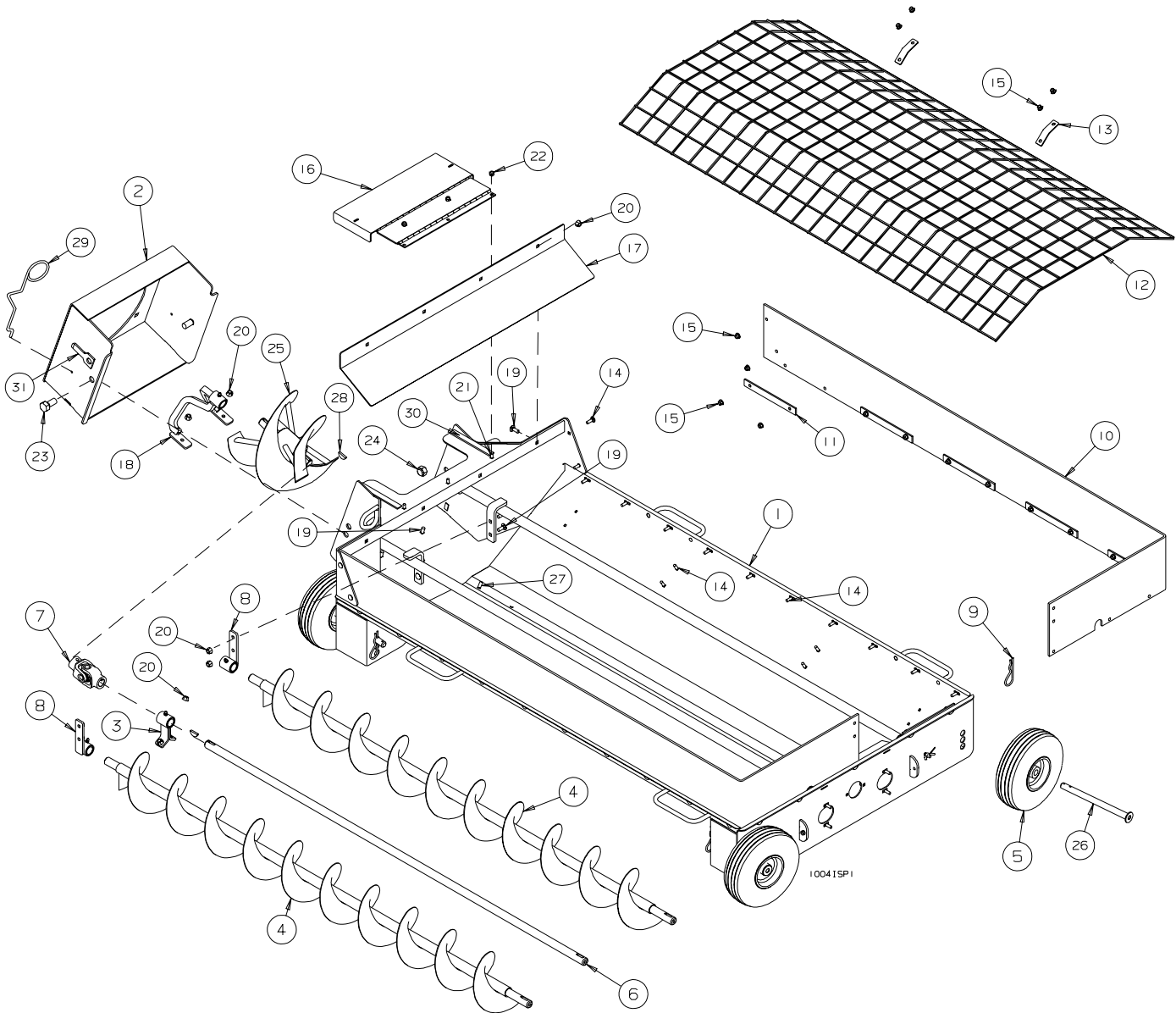


REF #	PART NO.	DESCRIPTION	QTY
1	C308033	Swing Tube	1
2	C305034	Swing Tube Flight	1
3	B194012	5/16" x 1 1/2" Key	1
4	B0030245	Gearbox 1:1 - Upper	1
5	B032137	U-Joint - 1 3/8" x 21 Spline	1
6	B001039	1/2" x 1" Bolt	6
7	B001032	3/8" x 2 1/2" Hex Bolt - GR 5	1
8	B002041	3/8" x 3/8" Set Screw	2
9	B0011325	3/8" Lock Nut	2
10	B001167	1/2" Lock Washer	6
11	B0321125	1" x 1" U-Joint - 6R	1
12	B009700	1.25" x .25" Woodruff Key - #810	1
13	13684	Spout Tube Seal	1
14	B0090026	#50 - 18 Sprocket - 1 3/8" Bore	1
15	B496680	5/16" x 1 1/2" Key	1
16	B001037	3/8" x 3" Bolt - Gr.8	1
17	B009593	50-2 Chain - 18 Pitch	1
18	B027499	Plastic Spacer Bushing - 1" OD x 5/16" thick	8
19	C100870	Retainer Plate	4
20	B001025	3/8" x 1 1/4" Bolt	8
21	B001165	3/8" Lockwasher	12
22	C306028	Upper Spout Swivel	1
23	C306067	Lower Spout Swivel	1
24	C306042	Swivel Bushing	2
25	B001152	1/2" SAE Flatwasher	2
26	B001167	1/2" Lock washer	2
27	B001041	1/2" x 1 1/2" Bolt	2
28	C305019	18" Downspout Hose x 12"	1
29	B024211	10" Hose Clamp	2
29	B024085	7" Hose Clamp	2
30	B021100	Large Latch Assembly	2
31	C306029	Plastic Spout Cover Assembly	1
32	B001002	1/4" x 3/4" Bolt	4
33	B027500	Plastic Wear Bushing	10
34	B021110	Small Latch Assembly	1
35	B027498	Small Swing Tube Spacer - 1.1" OD x 3/8" thick	4
36	B198361	Large Swing Tube Retainer	4
37	B001031	3/8" x 1 1/2" Bolt	4
38	B001163	1/4" Lock Washer	4
39	13696	Spout Cover Seal	1
40	B001159	1" Flatwasher	1
41	B017040	Bearing Housing	1
42	B017044	1 3/8" ID Wood Bearing	1
43	C306064	Spout Steady Bearing Mount	1
44	B001082	3/8" x 1" Carriage Bolt	4
45	B001405	3/8" Serrated Flange Nut	4

SWING HOPPER ASSEMBLY - 13" XL MDSA AUGER

SERIAL NOS. 97999 - 98053

XL SERIES AUGER

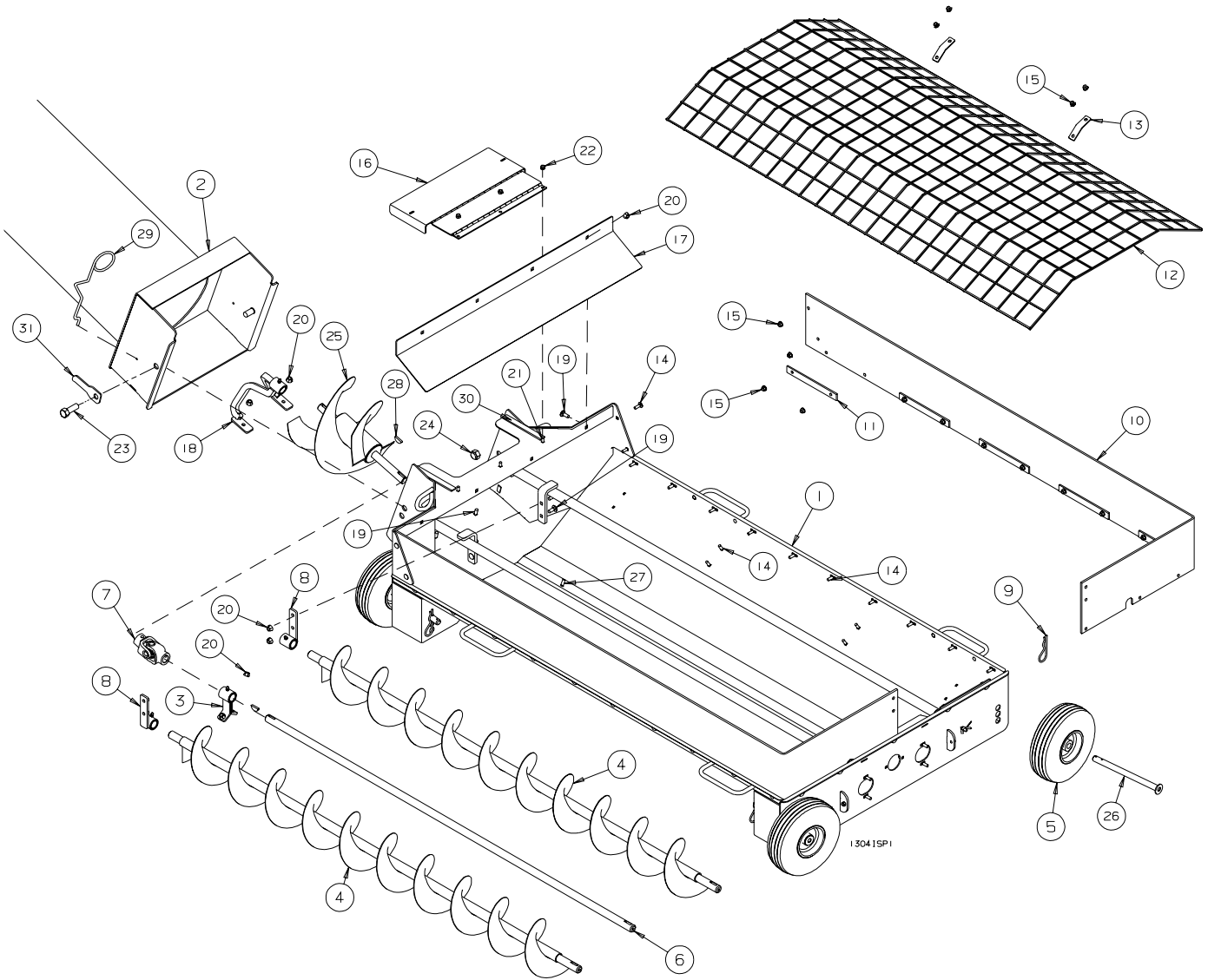


REF #	PART NO.	DESCRIPTION	QTY
1	C104001	Swing Hopper Weldment	1
2	C304000	13" Hopper Transition	1
3	C104004	Hopper Driveshaft Bearing	1
4	C104009	Hopper Flight	2
5	B011046	10" Dia Solid Hopper Tire & Rim - Extended Hub	4
6	C304005	13" Hopper Driveshaft	1
7	B0321125	1" x 1" U-Joint - 6R	1
8	C104005	Flight Hanger	2
9	B002091	.177" x 3 3/4" Hair Pin Clip	4
10	B0210415	Rubber Hopper Extension	2
11	B198071	Aluminium Hold Down Strap	12
12	C104010	Hopper Safety Grate	1
13	B198358	Hopper Mesh Retainer	4
14	B0010811	5/16" x 1" Carriage Bolt	35
15	B0011276	5/16" Flange Lock Nut	35
16	C104013	Transition Cover	1
17	C104012	Baffle Plate	1
18	C304004	13" Transition Flight Mount	1
19	B001082	3/8" x 1" Carriage Bolt	10
20	B001405	3/8" Serrated Flange Nut	12
21	B001081	5/16" x 3/4" Carriage Bolt	3
22	B001127	5/16" Lock Nut	3
23	B001099	3/4" x 1 1/2" Bolt	2
24	B001143	3/4" Lock Nut	2
25	C304006C	13" Transition Flight - Chromed	1
26	B198856	Hopper Wheel Pin	4
27	B001433	3/8" x 1" Serrated Flange Bolt	2
28	B009700	1.25" x .25" Woodruff Key - #810	3
29	B021086	Cover Hold Down Spring	2
30	C104022	Hopper Foam Seal	2
31	C109562	Spring Retainer Clip	2

SWING HOPPER ASSEMBLY - 13" HP MDSA AUGER

SERIAL NOS. 97999 - 98053

HP SERIES AUGER



REF #	PART NO.	DESCRIPTION	QTY
1	C306008	Swing Hopper Weldment	1
2	C308033	13" HP Swing Tube	1
3	C104004	Hopper Driveshaft Bearing	1
4	C104009H	Right Hopper Flight - Heavy	2
5	B011046	10" Dia Hopper Solid Tire & Rim - 3/4" Bore	4
6	C306005	13" Hopper Driveshaft	1
7	B0321125	1" x 1" U-Joint - 6R	1
8	C104005	Flight Hanger	2
9	B002091	.177" x 3 3/4" Hair Pin Clip	4
10	B0210418	Rubber Hopper Extension	2
11	B198071	Aluminium Hold Down Strap	12
12	C104010	Hopper Safety Grate	1
13	B198358	Hopper Mesh Retainer	4
14	B0010811	5/16" x 1" Carriage Bolt	35
15	B0011276	5/16" Flange Lock Nut	35
16	C104013	Transition Cover	1
17	C306011	Baffle Plate	1
18	C306004	13" Transition Flight Mount	1
19	B001082	3/8" x 1" Carriage Bolt	10
20	B001405	3/8" Serrated Flange Nut	12
21	B001081	5/16" x 3/4" Carriage Bolt	3
22	B001127	5/16" Lock Nut	3
23	B0010988	3/4" x 1 1/4" Bolt	2
24	B001143	3/4" Lock Nut	2
25	C306006C	13" Transition Flight	1
26	B198856	Hopper Wheel Pin	4
27	B001433	3/8" x 1" Serrated Flange Bolt	2
28	B009700	1.25" x .25" Woodruff Key - #810	3
29	B021086	Cover Hold Down Spring	2
30	C104022	Hopper Foam Seal	2
31	C109562	Spring Retainer Clip	2

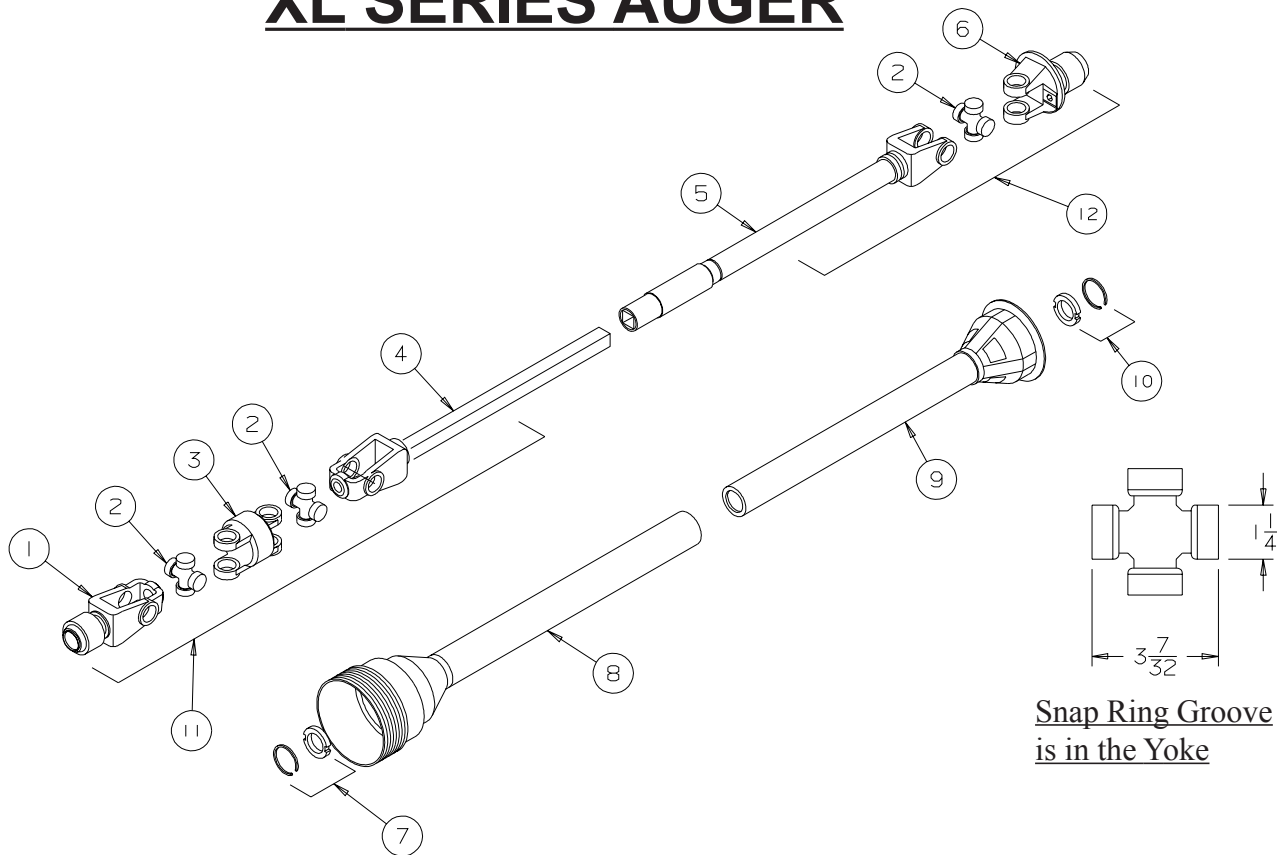
REF #	PART NO.	DESCRIPTION	QTY
1	C104017	Chain Tension Plate	2
2	B0010213	5/16" x 2" Full Thread Bolt	2
3	B001126	5/16" Nut	4
4	B017111	1" - 2 Bolt Flangette Bearing	3
5	B0010811	5/16" x 1" Carriage Bolt	6
6	B0011276	5/16" Locking Flange Nut	6
7	B009700	1.25" x .25" Woodruff Key - #810	3
8	B002073	1 1/2" OD x 1" ID x 10 Ga Machinery Bushing	1
9	B0090021	50-21 Double Sprocket - 1" Bore	1
10	B0094126	50-19 Sprocket - 1" Bore - Extended Hub	2
11	B0020718	1 1/4" OD x 3/8" ID Washer	3
12	B001165	3/8" Lockwasher	3
13	B0010225	3/8" x 5/8" Bolt	3
14	B0090051	R50 x 37 Pitch Roller Chain c/w Offset & Conn Link	2
15	C104021	Hopper Chain Guard	1
16	B001129	5/16" Wing Nut	2

REF #	PART NO.	DESCRIPTION	QTY
1	C104017	Chain Tension Plate	2
2	B0010213	5/16" x 2" Full Thread Bolt	2
3	B001126	5/16" Nut	4
4	B017111	1" - 2 Bolt Flangette Bearing	3
5	B0010811	5/16" x 1" Carriage Bolt	6
6	B0011276	5/16" Locking Flange Nut	6
7	B009700	1.25" x .25" Woodruff Key - #810	3
8	B002073	1 1/2" OD x 1" ID x 10 Ga Machinery Bushing	1
9	B0090021	50-21 Double Sprocket - 1" Bore	1
10	B0094127	50-15 Sprocket - 1" Bore - Extended Hub	2
11	B0020718	1 1/4" OD x 3/8" ID Washer	3
12	B001165	3/8" Lockwasher	3
13	B0010225	3/8" x 5/8" Bolt	3
14	B0090052	R50 x 33 Pitch Roller Chain c/w Offset & Conn Link	2
15	C104021	Hopper Chain Guard	1
16	B001129	5/16" Wing Nut	2

WEASLER SERIES 35E - 50 CV - - 1 3/8" 6 SPLINE B0030521

13"X 70' & 80' XL MDSA AUGERS

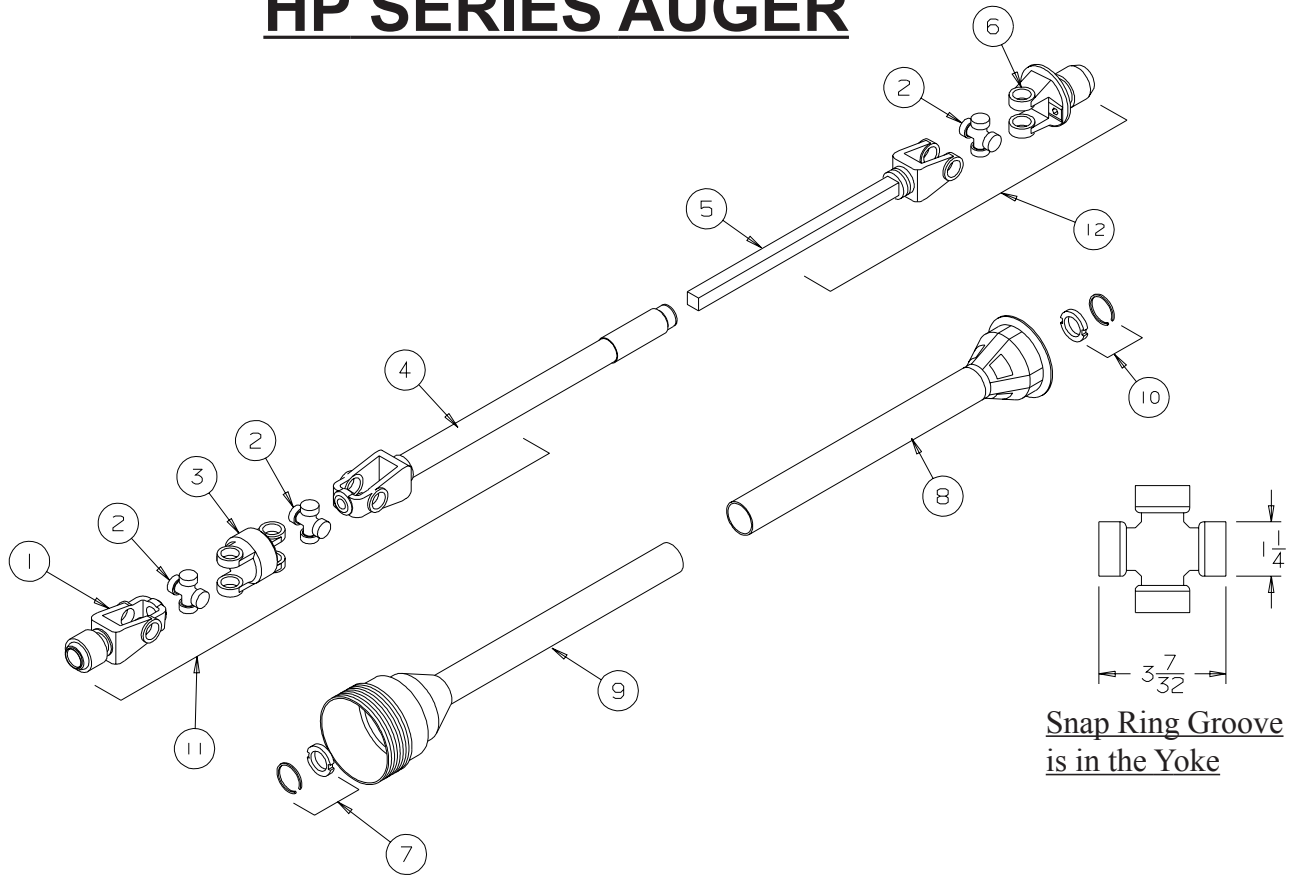
XL SERIES AUGER



Snap Ring Groove
is in the Yoke

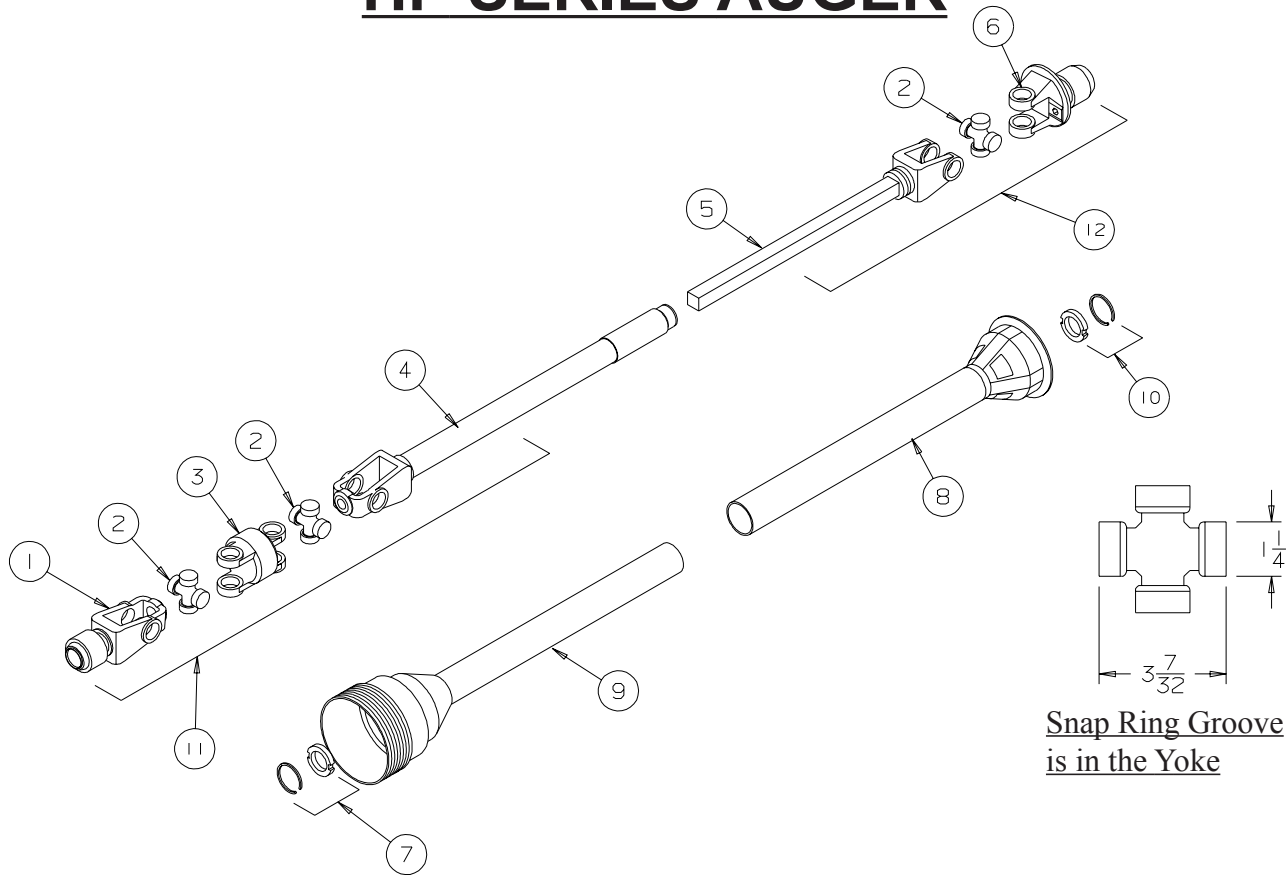
REF #	PART NO.	DESCRIPTION	QTY.
1	B003748	Implement Yoke - 20 Spline	1
2	B003715	Cross & Bearing Kit	3
3	B003741	Centre Housing	1
4	B003742	Output Yoke & Shaft - CV End	1
5	B003743	Input Yoke & Tube - Implement End	1
6	B003744	Shear Yoke Assembly - 6 Spline	1
7	B003738	Shield Bearing - CV End	1
8	B003746	Outer Shield	1
9	B003747	Inner Shield	1
10	B003745	Shield Bearing - Tractor End	1
11	B0030521A	Implement Half of Shaft c/w Guard - 20 Spline	1
12	B003052T	Tractor Half of Shaft c/w Guard - 6 Spline	1
NS	B0010101	Shear Bolt - 5/16" x 1" Gr.8	2
NS	B003103	Shear Nut - 5/16" Stover Lock Nut	2

HP SERIES AUGER



REF #	PART NO.	DESCRIPTION	QTY.
1	B003940	Implement Yoke - 1 3/4" 20 Spline	1
2	B0037151	Cross & Bearing Kit	3
3	B003741	Centre Housing	1
4	B003943	Output Yoke & Tube - CV End	1
5	B003942	Input Yoke & Shaft - Tractor End	1
6	B003865	Shear Yoke Assembly - 1 3/8" 21 Spline	1
7	B003896	Shield Bearing - CV End	1
8	B003946	Outer Shield	1
9	B003947	Inner Shield	1
10	B003906	Shield Bearing - Tractor End	1
11	B003948	Implement Half of Shaft c/w Guard - 20 Spline	1
12	B003949	Tractor Half of Shaft c/w Guard - 21 Spline	1
NS	B003102	Shear Bolt - 5/16" x 1" Gr.5	2
NS	B003103	Shear Nut - 5/16" Stover Lock Nut	2

HP SERIES AUGER

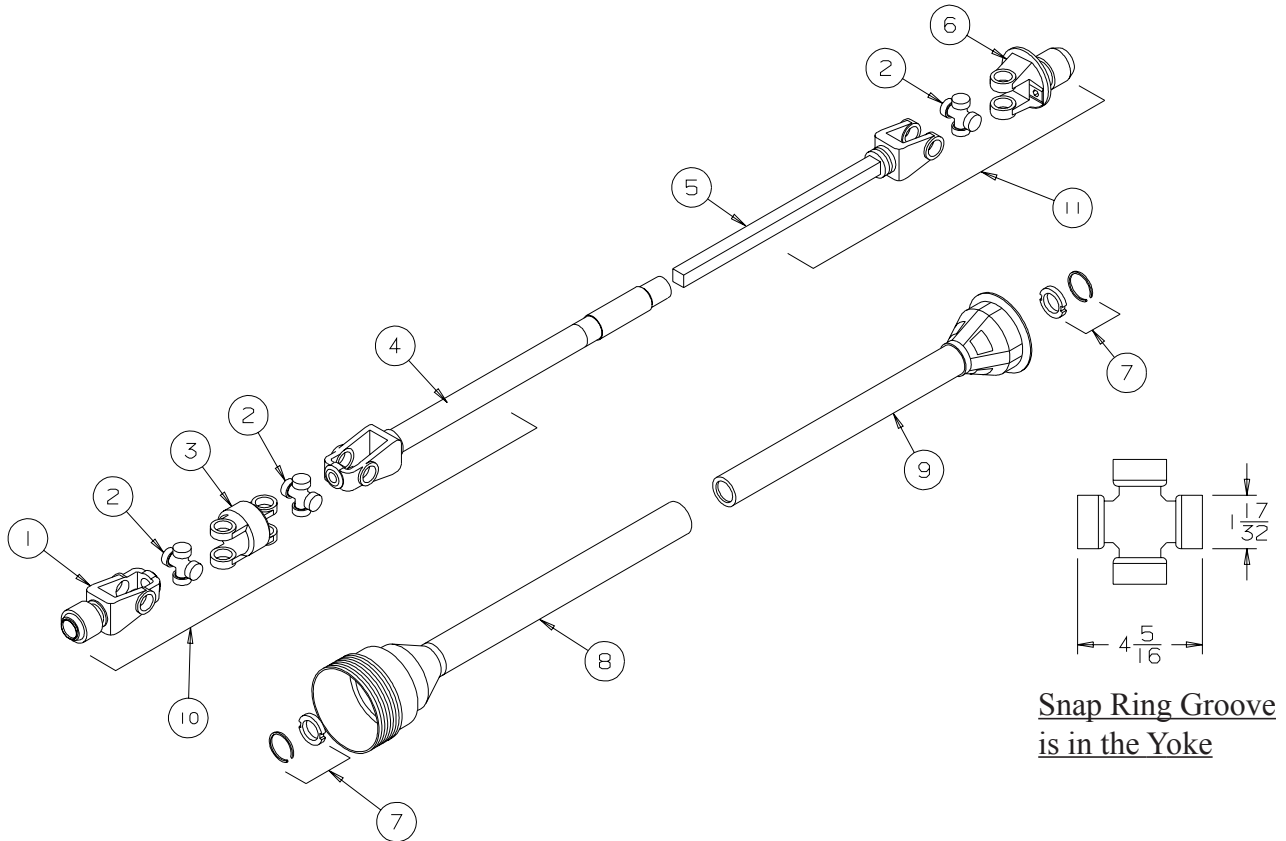


REF #	PART NO.	DESCRIPTION	QTY.
1	B003940	Implement Yoke - 1 3/4" 20 Spline	1
2	B0037151	Cross & Bearing Kit	3
3	B003741	Centre Housing	1
4	B003953	Output Yoke & Tube - CV End	1
5	B003952	Input Yoke & Shaft - Tractor End	1
6	B003954	Shear Yoke Assembly - 1 3/4" 20 Spline	1
7	B003896	Shield Bearing - CV End	1
8	B003956	Outer Shield	1
9	B003957	Inner Shield	1
10	B003906	Shield Bearing - Tractor End	1
11	B003958	Implement Half of Shaft c/w Guard - 1 3/4" 20 Spline	1
12	B003959	Tractor Half of Shaft c/w Guard - 1 3/4" 20 Spline	1
NS	B003102	Shear Bolt - 5/16" x 1" Gr.5	2
NS	B003103	Shear Nut - 5/16" Stover Lock Nut	2

WEASLER SERIES 55E - 50 CV - 1 3/8" 6 SPLINE B0030541

13" x 90' XL MDSA AUGERS

XL SERIES AUGER

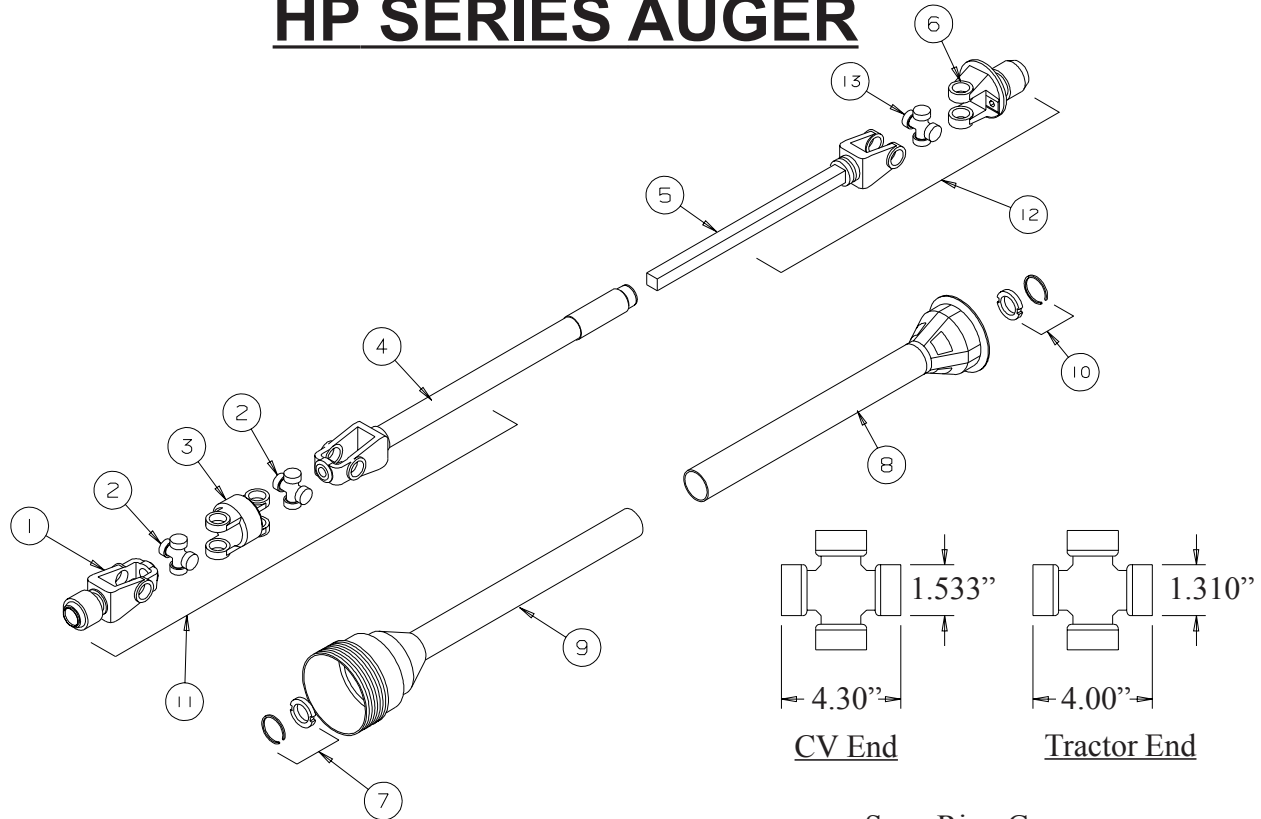


REF #	PART NO.	DESCRIPTION	QTY.
1	B0038201	Yoke - 20 Spline	1
2	B0037171	Cross & Bearing Kit	3
3	B003821	Centre Housing	1
4	B003932	Yoke & Shaft Ass'y - CV End	1
5	B003933	Yoke & Tube Ass'y - Tractor End	1
6	B003824	Shear Yoke Assembly - 6 Spline	2
7	B003935	Shield Bearing - CV End	1
8	B003936	Outer Shield	1
9	B003937	Inner Shield	1
10	B003938	Implement Half of Shaft c/w Guard - 20 Spline	1
11	B003939	Tractor Half of Shaft c/w Guard - 6 Spline	1
NS	B0010101	Shear Bolt - 5/16" x 1" Gr.8	2
NS	B0011275	Shear Nut - 5/16" Stover Lock Nut	2

WEASLER SERIES 44E - 50 CV - 1 3/8" 21 SPLINE B003073

13"x 80' & 90' HP MDSA AUGERS

HP SERIES AUGER

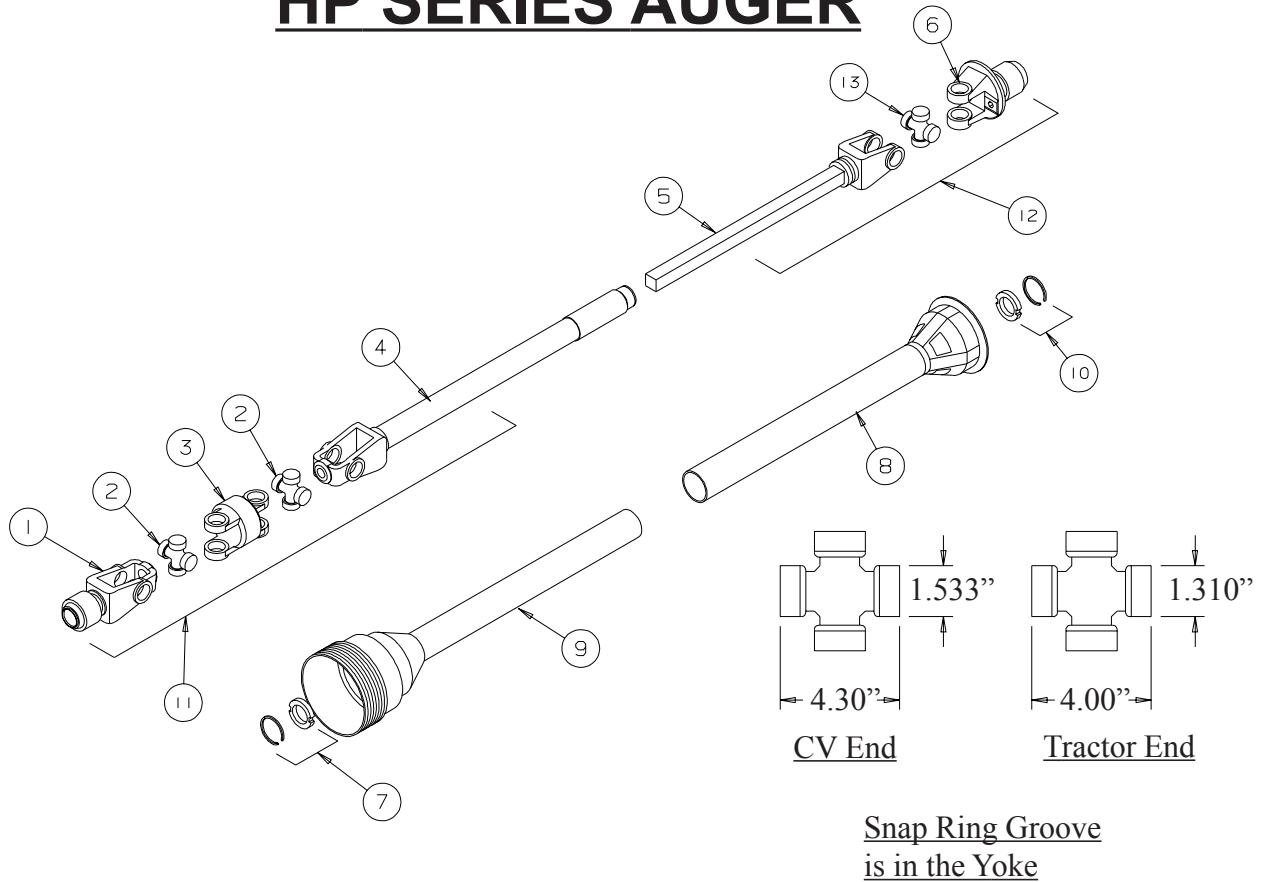


Snap Ring Groove
is in the Yoke

REF #	PART NO.	DESCRIPTION	QTY.
1	B003960	Implement Yoke - 1 3/4" 20 Spline	1
2	B0037175	Cross & Bearing Kit	2
3	B003821	Centre Housing	1
4	B003963	Output Yoke & Tube - CV End	1
5	B003962	Input Yoke & Shaft - Tractor End	1
6	B003964	Shear Yoke Assembly - 1 3/8" 21 Spline	1
7	B003935	Shield Bearing - CV End	1
8	B003966	Outer Shield	1
9	B003967	Inner Shield	1
10	B003965	Shield Bearing - Tractor End	1
11	B003968	Implement Half of Shaft c/w Guard - 1 3/4" 20 Spline	1
12	B003969	Tractor Half of Shaft c/w Guard - 1 3/8" 21 Spline	1
13	B0037161	Cross & Bearing Kit	1
NS	B003102	Shear Bolt - 5/16" x 1" Gr.5	2
NS	B003103	Shear Nut - 5/16" Stover Lock Nut	2

WEASLER SERIES 44E - 50 CV - 1 3/4" 20 SPLINE B003076
13" x 80' & 90' HP MDSA AUGERS

HP SERIES AUGER

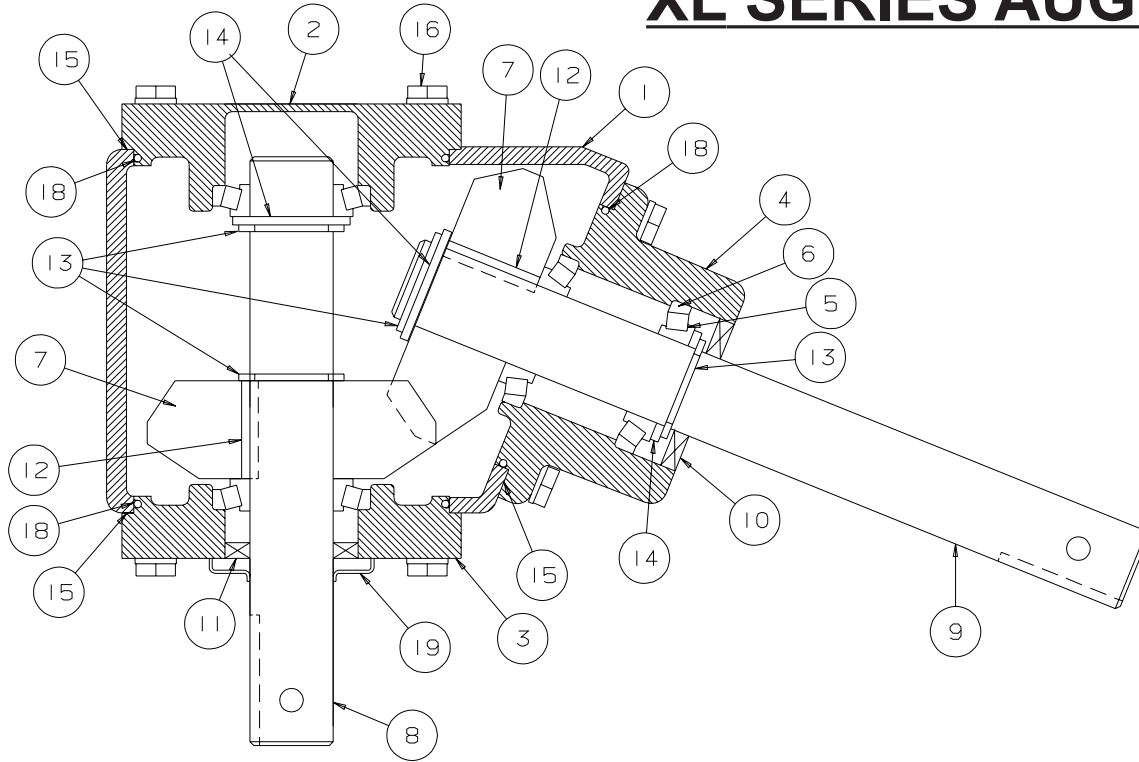


REF #	PART NO.	DESCRIPTION	QTY.
1	B003960	Implement Yoke - 1 3/4" 20 Spline	1
2	B0037175	Cross & Bearing Kit	2
3	B003821	Centre Housing	1
4	B003973	Output Yoke & Tube - CV End	1
5	B003972	Input Yoke & Shaft - Tractor End	1
6	B003974	Shear Yoke Assembly - 1 3/4" 20 Spline	1
7	B003935	Shield Bearing - CV End	1
8	B003976	Outer Shield	1
9	B003977	Inner Shield	1
10	B003965	Shield Bearing - Tractor End	1
11	B003978	Implement Half of Shaft c/w Guard - 1 3/4" 20 Spline	1
12	B003979	Tractor Half of Shaft c/w Guard - 1 3/4" 20 Spline	1
13	B0037161	Cross & Bearing Kit	1
NS	B003102	Shear Bolt - 5/16" x 1" Gr.5	2
NS	B003103	Shear Nut - 5/16" Stover Lock Nut	2

UPPER GEARBOX - B003024

13" XL MDSA AUGERS

XL SERIES AUGER

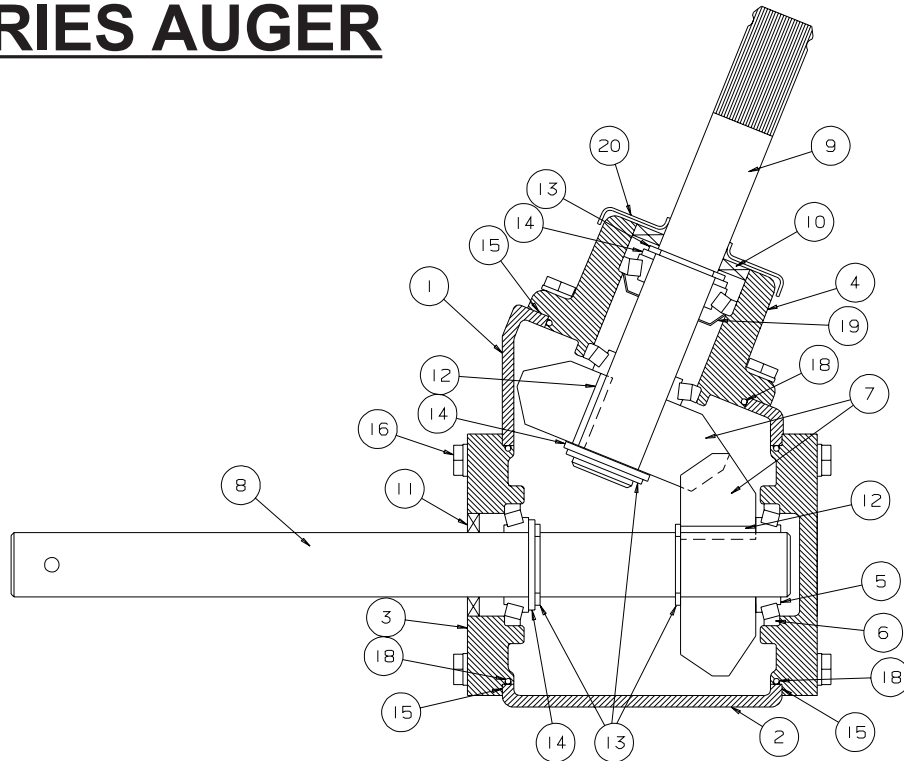


REF #	PART #	DESCRIPTION	QTY
1	B003023501	Case	1
2	B003023502	End Cap - no hole	1
3	B003023503	End Cap c/w hole	1
4	B003024504	Quill Housing	1
5	B003023505	Bearing Cone LM48548	4
6	B003023506	Bearing Cup LM48510	4
7	B003023507	Gear - 17 tooth	2
8	B003024508	Output Shaft	1
9	B00302409	Input Shaft	1
10	B003023510	Shaft Seal	1
11	B003023511	Shaft Seal	1
12	B003023512	Key - 5/16" x 1.61"	2
13	B003023513	Snap Ring	4
14	B003023514	Spacer	3
15	B003023515	Gasket	AR
16	B003023516	Cap Screw - 3/8"x 1"	12
17	B003023517	9/16" Pipe Plug c/w O-Ring (not shown)	2
18	B003023518	O-Ring	3
19	B003023520	Debris Shield	1

LOWER GEARBOX - B0030236

13" XL MDSA AUGERS

XL SERIES AUGER

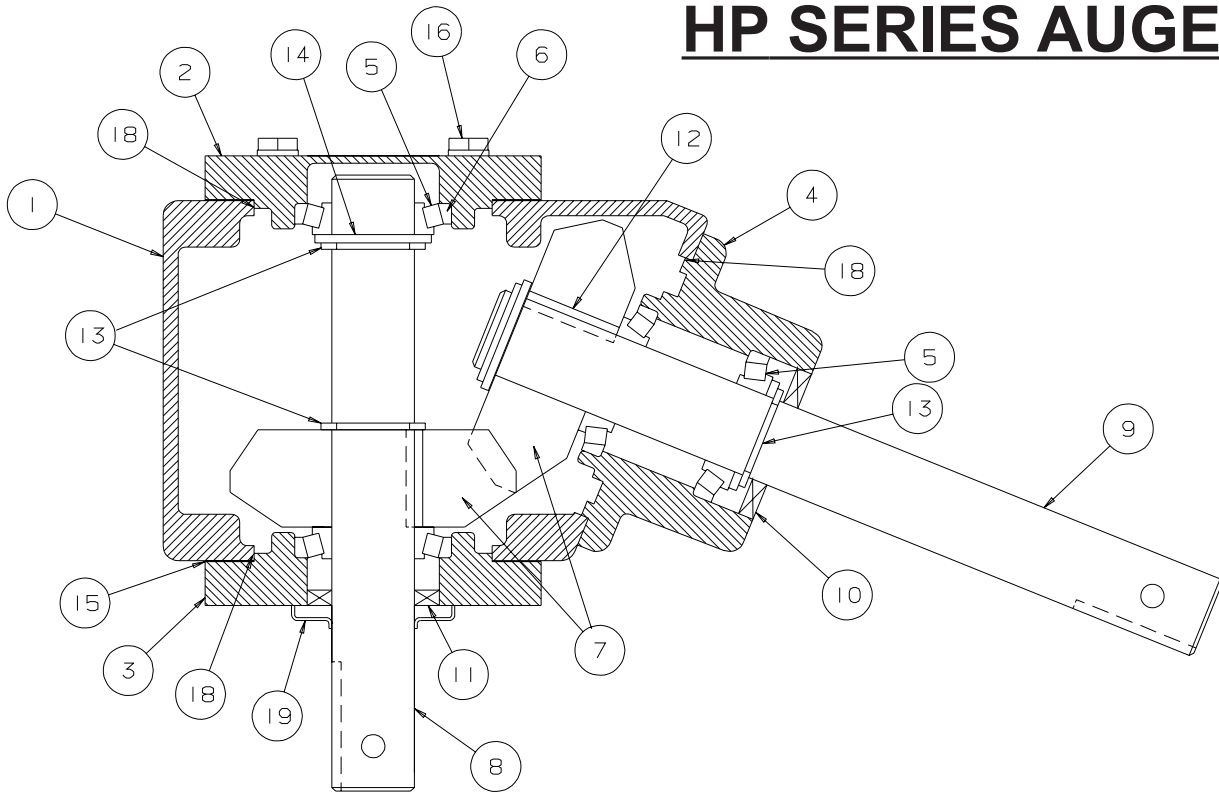


REF #	PART #	DESCRIPTION	
1	B003023501	Case	1
2	B003023502	End Cap - no hole	1
3	B003023503	End Cap c/w hole	1
4	B003023504	Quill Housing	1
5	B003023505	Bearing Cone LM48548	4
6	B003023506	Bearing Cup LM48510	4
7	B003023507	Gear - 17 tooth	2
8	B003023608	Input Shaft	1
9	B003023609	Output Shaft - Splined	1
10	B003023510	Shaft Seal	1
11	B003023511	Shaft Seal	1
12	B003023512	Key - 5/16" x 1.61"	2
13	B003023513	Snap Ring	4
14	B003023514	Spacer	3
15	B003023515	Gasket	AR
16	B003023516	Cap Screw - 3/8"x 1"	8
17	B003023517	9/16" Pipe Plug c/w O-Ring (not shown)	2
18	B003023518	O-Ring	3
19	B003023519	Grease Washer	1
20	B003023520	Debris Shield	1

UPPER GEARBOX - B0030245

13" HP MDSA AUGERS

HP SERIES AUGER

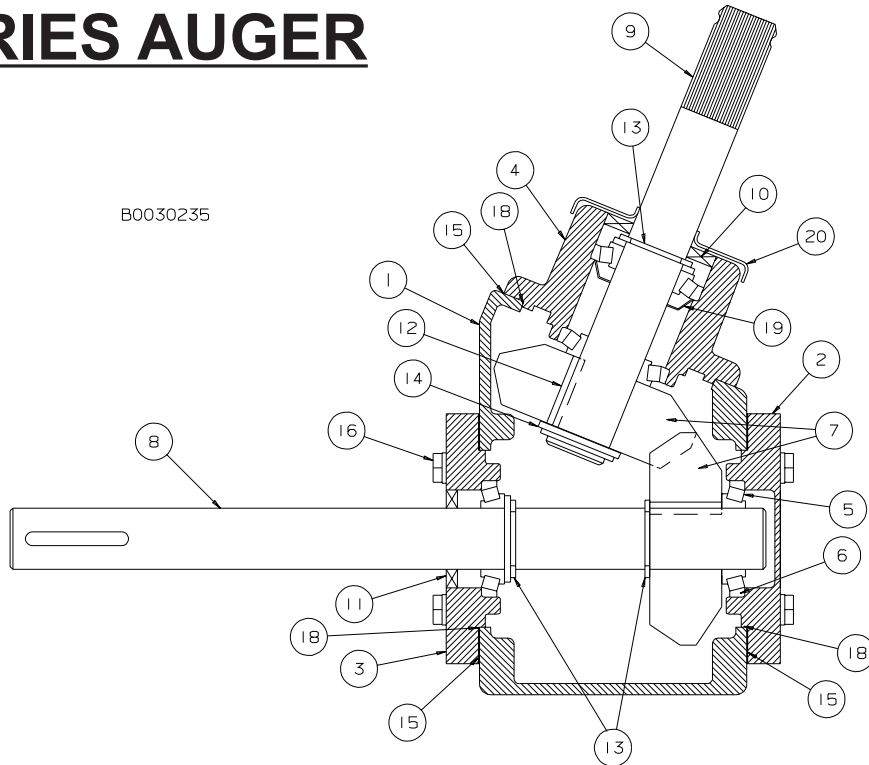


REF #	PART #	DESCRIPTION	QTY
1	B003023501	Case	1
2	B003023502	End Cap - no hole	1
3	B003023503	End Cap c/w hole	1
4	B003024504	Quill Housing	1
5	B003023505	Bearing Cone LM48548	4
6	B003023506	Bearing Cup LM48510	4
7	B003023507	Gear - 17 tooth	2
8	B003024508	Output Shaft	1
9	B003024509	Input Shaft	1
10	B003023510	Shaft Seal	1
11	B003023511	Shaft Seal	1
12	B003023512	Key - 5/16" x 1.61"	2
13	B003023513	Snap Ring	4
14	B003023514	Spacer	3
15	B003023515	Gasket	AR
16	B003023516	Cap Screw - 3/8"x 1"	8
17	B003023517	9/16" Pipe Plug c/w O-Ring (not shown)	2
18	B003023518	O-Ring	3
19	B003023520	Debris Shield	1

LOWER GEARBOX - B0030235

13" HP MDSA AUGERS

HP SERIES AUGER

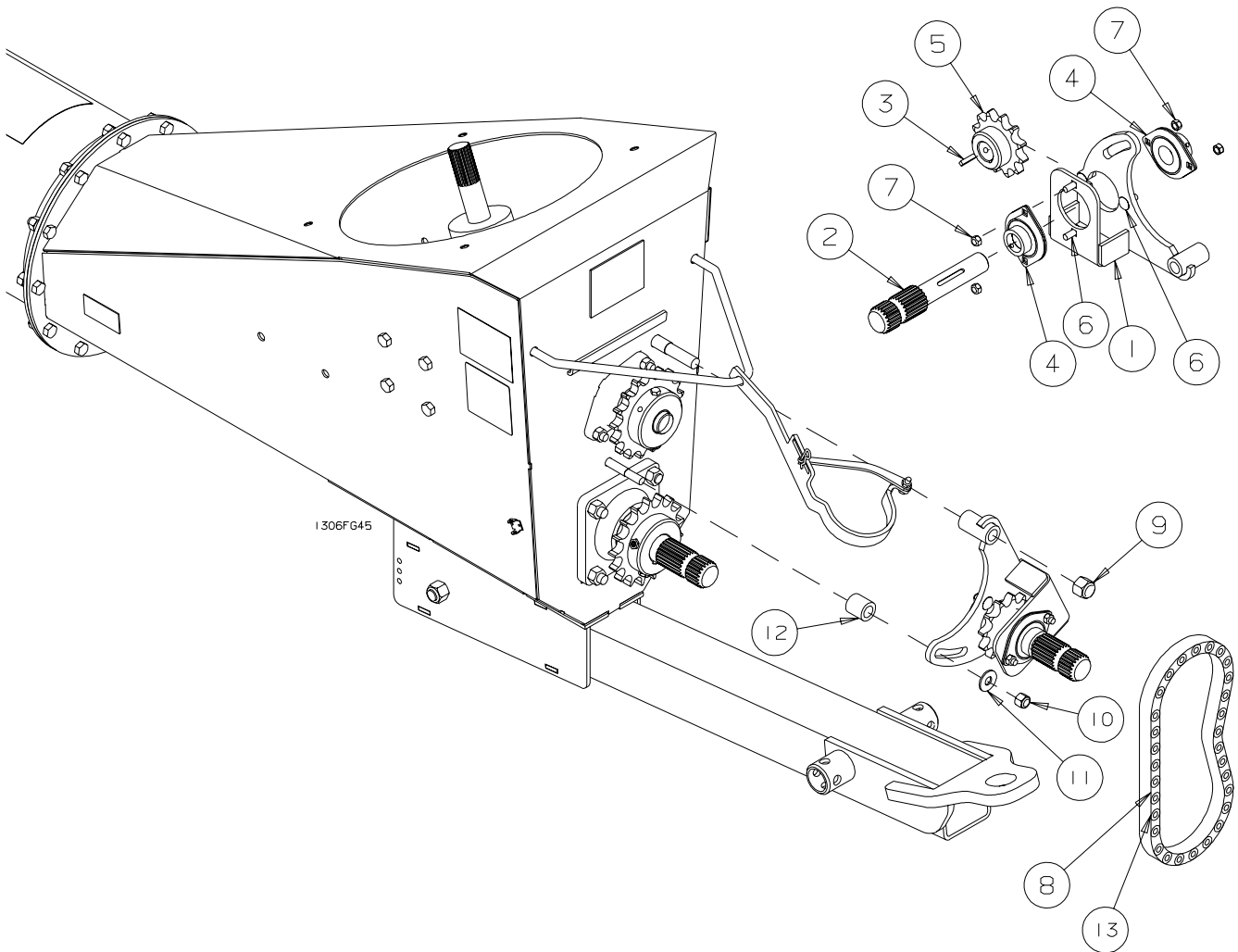


REF #	PART #	DESCRIPTION	QTY
1	B003023501	Case	1
2	B003023502	End Cap - no hole	1
3	B003023503	End Cap c/w hole	1
4	B003023504	Quill Housing	1
5	B003023505	Bearing Cone LM48548	4
6	B003023506	Bearing Cup LM48510	4
7	B003023507	Gear - 17 tooth	2
8	B003023508	Input Shaft	1
9	B003023509	Output Shaft - Splined	1
10	B003023510	Shaft Seal	1
11	B003023511	Shaft Seal	1
12	B003023512	Key - 5/16" x 1.61"	2
13	B003023513	Snap Ring	4
14	B003023514	Spacer	3
15	B003023515	Gasket	AR
16	B003023516	Cap Screw - 3/8"x 1"	8
17	B003023517	9/16" Pipe Plug c/w O-Ring (not shown)	2
18	B003023518	O-Ring	3
19	B003023519	Grease Washer	1
20	B003023520	Debris Shield	1

FLIGHT REVERSER ASSEMBLY - 13" XL MDSA AUGER

SERIAL NOS. 97999 - 98053

XL SERIES AUGER



REF #	PART NO.	DESCRIPTION	QTY
1	C302718	Reverser - Main Bracket	1
2	B032210	20 Splined Shaft - 9"	1
3	B185206	1/4" x 1 1/8" Key	1
4	B017120	Bearing c/w 1 1/4" - 2 Bolt Flangette	2
5	B009160	Sprocket, 80-12 - 1 1/4" Bore	1
6	B001082	3/8" x 1" Carriage Bolt	4
7	B0011325	3/8" Stover Locknut	4
8	B009025	R80 Chain x 35 Pitch	1
9	B001143	3/4" Lock Nut	1
10	B001136	1/2" Lock Nut	1
11	B001151	1/2" Flat Washer	1
12	C306719	1 1/2" Thick Spacer	1
13	B009051	R80 Chain Offset Link	1