

***GRAIN DECK BELT CONVEYOR***

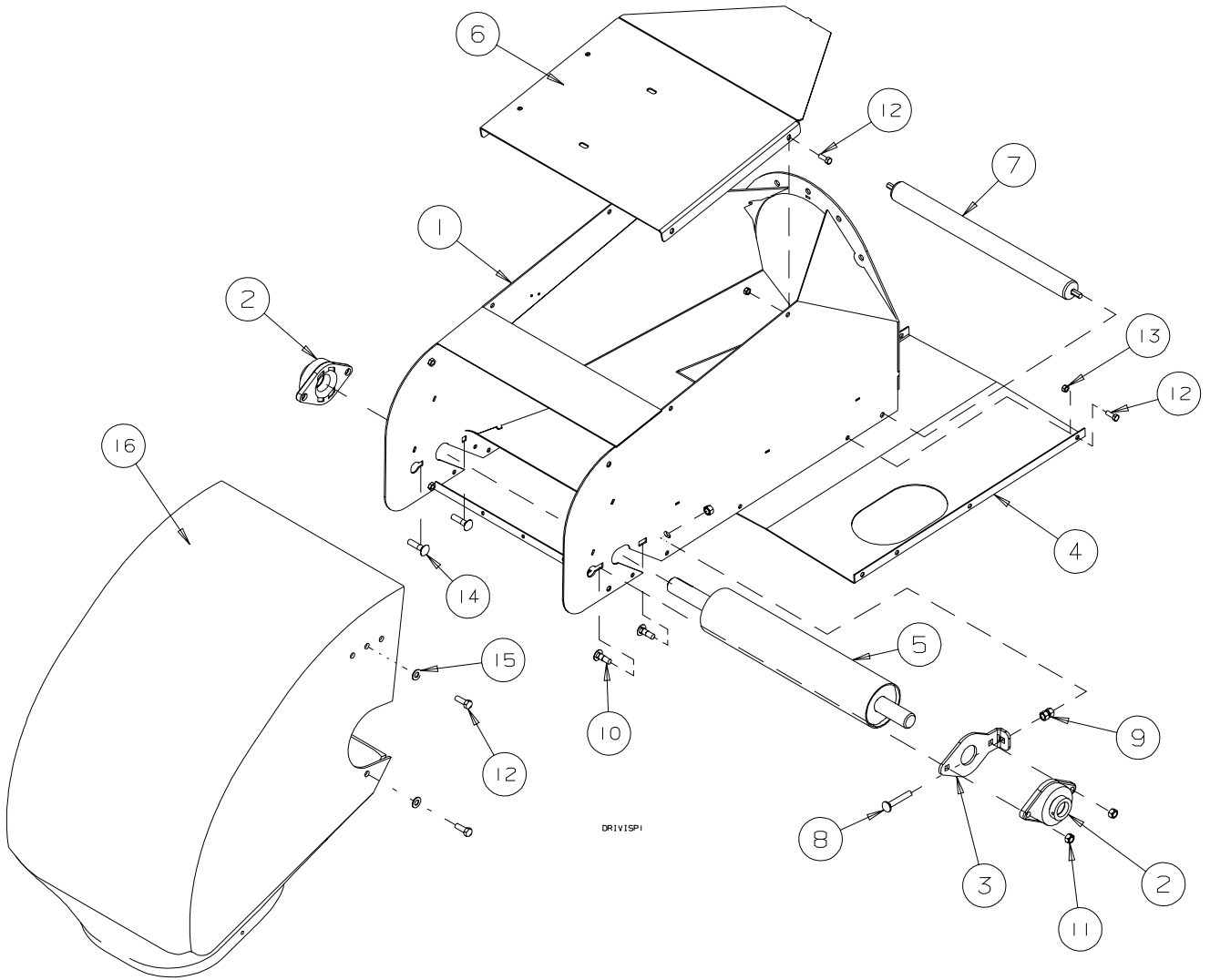
**PARTS LIST**

**SERIAL NOS. 74450 - 77899**

---

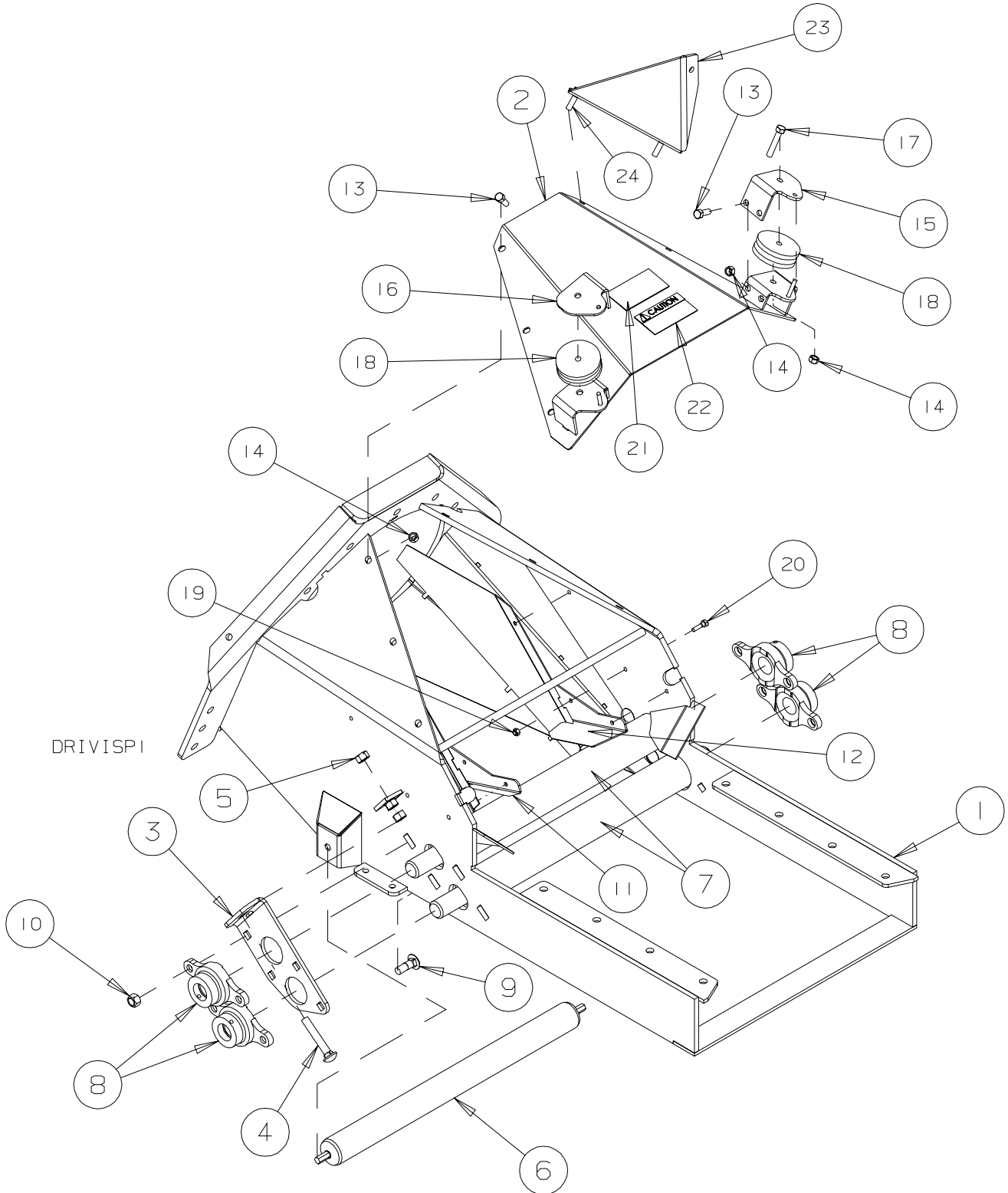
**DISCHARGE ASSEMBLY - GRAIN BELT DRIVE OVER CONVEYOR - 2003**  
**SERIAL NOS. 74450 - 77899**

---



REF #	PART NO.	DESCRIPTION
1	C200760	Discharge Weldment
2	B017223	1 1/2" dia. Bearing - 2 bolt
3	C200611	1 1/2" Bearing Plate
4	C200820	Discharge Bottom Guard
5	C200867	5" Roller - Keyed - Lagged
6	C200840	Discharge Cap
7	B021253	Roller - 1.9" dia. x 23" long
8	B001091	1/2" x 3" Carriage Bolt - Full Thread
9	B001135	1/2" Hex Nut
10	B001088	1/2" x 1 1/2" Carriage Bolt
11	B001134	1/2" Stover Lock Nut
12	B001024	3/8" x 1" Bolt
13	B0011325	3/8" Stover Lock Nut
14	B001090	1/2" x 2" Carriage Bolt
15	B001149	3/8" Flatwasher
16	B027605	Plastic Discharge Spout

**TRANSITION ASSEMBLY - GRAIN BELT DRIVE OVER CONVEYOR - 2003**  
**SERIAL NOS. 74450 - 77899**

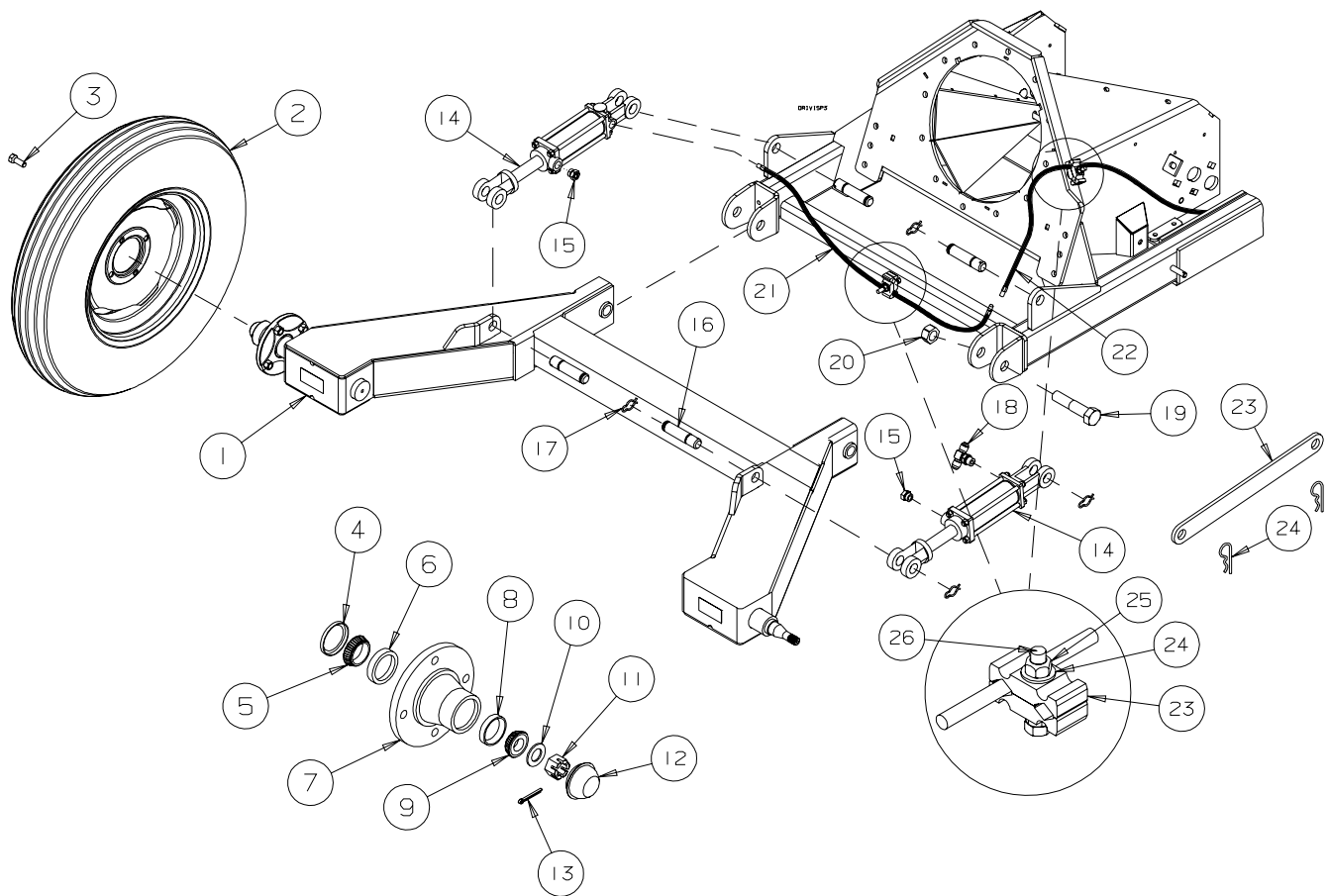


REF #	PART NO.	DESCRIPTION
1	C200876	Transition Weldment
2	C200822	Transition Cap
3	C200877	S Adjustment Plate
4	B001091	1/2" x 3" Carriage Bolt - Full Thread
5	B001135	1/2" Hex Nut
6	B021253	Roller - 1.9" dia. x 23" long
7	C200754	Roller - 2 1/2" dia. x 20" long
8	B017202	1 1/4" Bearing - 2 Bolt
9	B001088	1/2" x 1 1/2" Carriage Bolt
10	B001136	1/2" Lock Nut
11	C200878L	Eddy Plate - Left
12	C200878R	Eddy Plate - Right
13	B001024	3/8" x 1" Bolt
14	B001132	3/8" Lock Nut
15	C200827L	Cable Sheave Top - Left
16	C200827R	Cable Sheave Top - Right
17	B001038	3/8" x 2" Bolt
18	B027430	Plastic Cable Sheave - 1/4" Cable
19	B001124	1/4" Lock Nut
20	B001003	1/4" x 1" Bolt
21	B029255	Decal - No Step
22	B029360	Decal - Flap Hazard
23	C203115	Spring Mount
24	B001025	3/8" x 1 1/4" Bolt

---

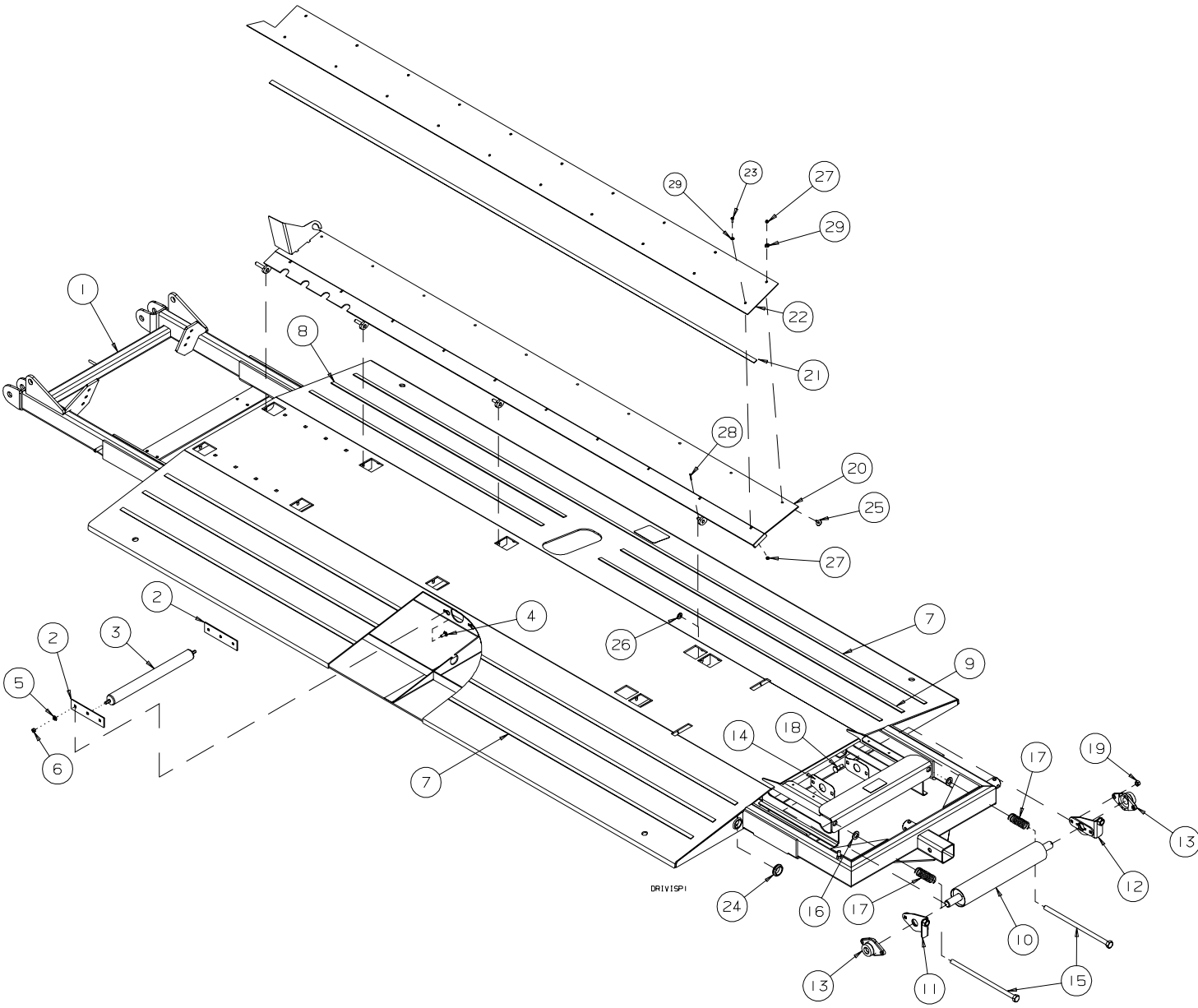
**AXLE ASSEMBLY - GRAIN BELT DRIVE OVER CONVEYOR - 2003**  
**SERIAL NOS. 74450 - 77899**

---



REF #	PART NO.	DESCRIPTION
1	C200761	Axle Weldment less Hubs
2	B011205	15" Tire and Rim - Mounted
3	B011504	Wheel Bolt - 411 Hub
4	B011604	Grease Seal - 411 Hub
5	B011603	Inner Cone - LM67048
6	B011602	Inner Cup - LM67010
7	B011605	411 Hub c/w Cups
8	B011600	Outer Cup - LM11910
9	B011601	Outer Cone - LM11949
10	B001157	3/4" Flatwasher
11	B011677	3/4"- 16 UNF Castle Nut
12	B011500	Dust Cap - 411 Hub
13	B002047	3/16" x 1 1/4" Cotter Pin
14	B019153	2"x 4" Hydraulic Cylinder - #6 FORB
15	B0193051	#6 MORB Breather
16	B019179	Cylinder Pin
17	B019177	Cylinder Pin Clips
18	B019477	#6 MJIC x #6 MORB x #6 MJIC Hydraulic Tee
19	B0011157	1"x 5" Bolt
20	B001075	1" Lock Nut
21	B019144	3/8" Hydra. Hose x 38" - #6 MORB x #6 FJIC
22	B019143	3/8" Hydra. Hose x 25' - #6 FJIC x 1/2" MPT
23	C200839	Transport Plate
24	B002091	.177" x 3 3/4" Hair Pin Clip

**TABLE ASSEMBLY - GRAIN BELT DRIVE OVER CONVEYOR - 2003**  
**SERIAL NOS. 74450 - 77899**



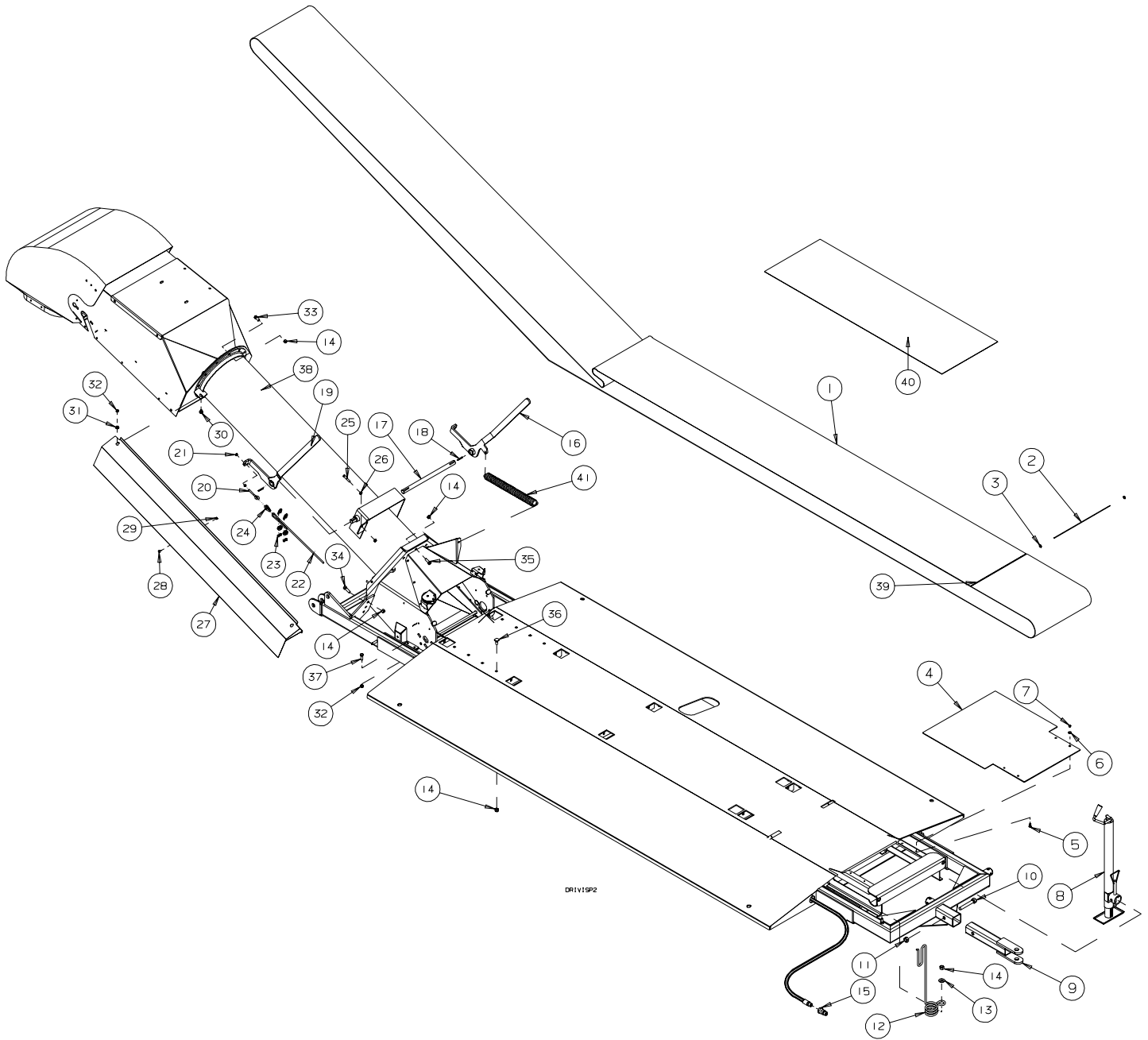


REF #	PART NO.	DESCRIPTION
1	C200753	Table Weldment
2	C200837	Hex Hole Plate
3	B021252	Roller - 1.9" OD x 20"
4	B001082	3/8" x 1" Carriage Bolt
5	B001149	3/8" Flatwasher
6	B001132	3/8" Lock Nut
7	C200888	Safety Walk Strip - 3/4" x 140"
8	C200889	Safety Walk Strip - 3/4" x 57"
9	C200890	Safety Walk Strip - 3/4" x 69"
10	C200757	Take Up Roller - 3 1/2" dia.
11	C200758L	Adjustment Plate - Left
12	C200758R	Adjustment Plate - Right
13	B0172015	1 1/4" Bearing - 2 Bolt
14	C200635	Backing Plate
15	B002602	3/4" x 15 1/2" Bolt - Full Thread
16	B001157	3/4" SAE Flatwasher
17	B021073	Compression Spring - 1 1/8" OD x 7" long x .162" wire
18	B001089	1/2" x 1 3/4" Bolt
19	B001136	1/2" Lock Nut
20	C202763R	Hopper Flap - Right
NS	C202763L	Hopper Flap - Left
21	B027538	Flap Flashing Guard
22	B027537R	Pit Side Flashing - Right
NS	B027537L	Pit Side Flashing - Left
23	B0021095	1/4" x 3/4" Truss Machine Screw
24	B021130	Rubber Grommet - 2 1/8" OD x 1 1/2" ID x 5/8"
25	B002227	1/4" x 3/4" Elevator Bolt
26	B001152	1/2" SAE Flatwasher
27	B001124	1/4" Lock Nut
28	B002092	.094" x 2 1/4" Hair Pin Clip
29	B001147	1/4" Flatwasher

---

**TABLE ASSEMBLY - GRAIN BELT DRIVE OVER CONVEYOR - 2003**  
**SERIAL NOS. 74450 - 77899**

---

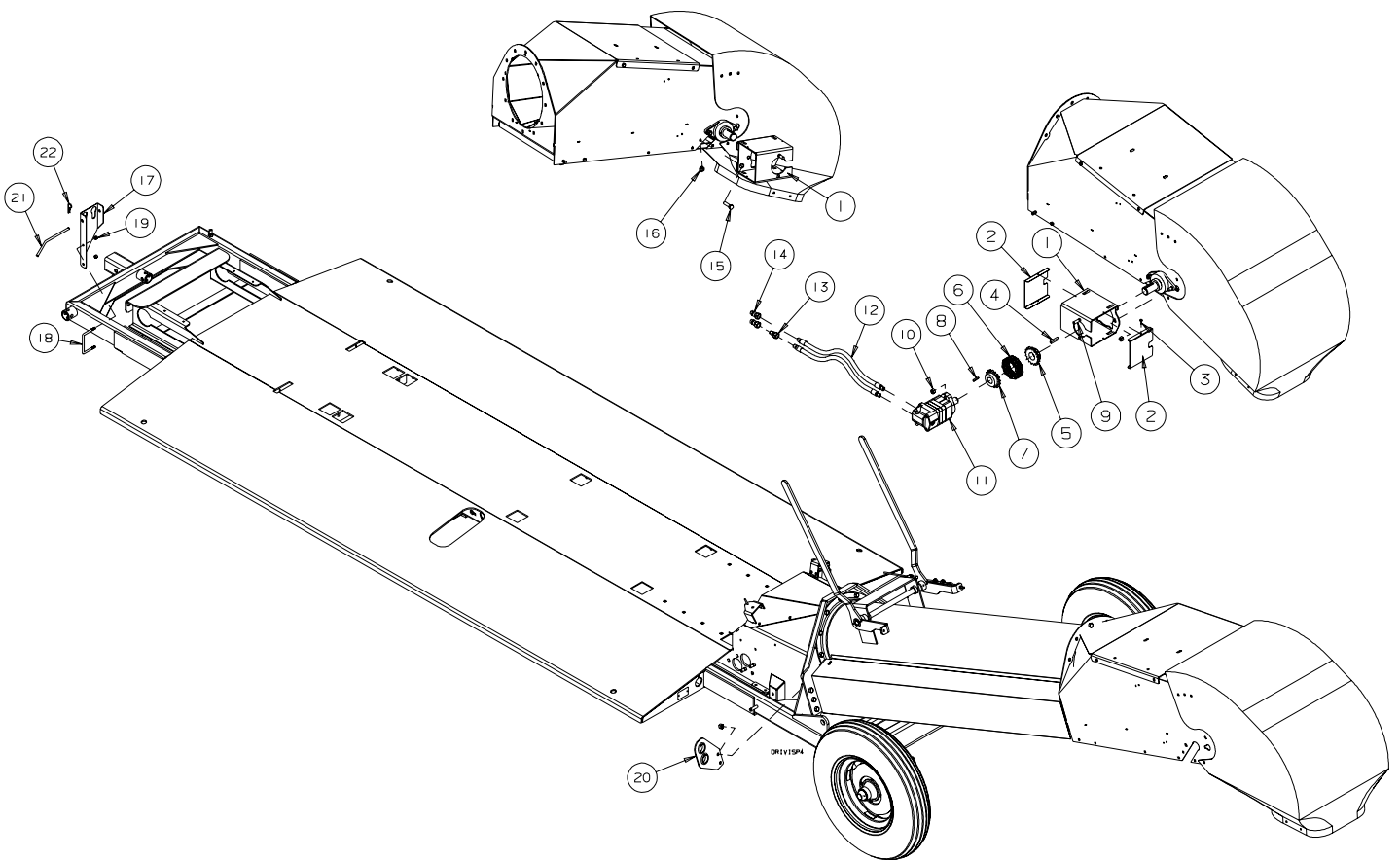


REF #	PART NO.	DESCRIPTION
1	B018630	Rubber Belt - 20" Wide x 49'-6" Long - Laced
2	C200898	Cable Pin x 20" Long
3	B021921	Pin Retaining Washer
4	B027514	Drive Over End Flashing
5	B001080	1/4" x 1" Carriage Bolt
6	B001147	1/4" Flatwasher
7	B001124	1/4" Lock Nut
8	B030527	Implement Jack - 3000 lbs. - Top Wind
9	C200762	Drive Over Hitch
10	B001105	3/4" x 4" Bolt
11	B001154	3/4" Stover Lock Nut
12	B021091	Hydraulic Hose Holder - Top Mount
13	B001151	1/2" Flatwasher
14	B001134	1/2" Stover Lock Nut
15	B019200	Pioneer Hydraulic Tip - 1/2" FPT
16	C200823R	Flap Handle - Right
17	C200824	Handle Pin
18	B496740	1/4" Key x 1 1/2"
19	C200823L	Flap Handle - Left
20	B002024	3/8" x 4" Eye Bolt
21	B001131	3/8" Hex Nut
22	B008395	1/4" Cable x 52" Long- Looped on One End
23	B008070	1/4" Cable Clamp
24	B008071	1/4" Cable Thimble
25	B001028	3/8" x 2" Bolt
26	B001131	3/8" Hex Nut
27	C200875	Wind Guard - 71 1/4" Long
28	B001001	1/4" x 1/2" Bolt
29	B001124	1/4" Lock Nut
30	B001082	3/8" x 1" Carriage Bolt
31	B001149	3/8" Flatwasher
32	B0011325	3/8" Stover Lock Nut
33	B001039	1/2" x 1" Bolt
34	B001041	1/2" x 1 1/2" Bolt
35	B001040	1/2" x 1 1/4" Bolt
36	B0010875	1/2" x 1 1/4" Carriage Bolt
37	B001024	3/8" x 1" Bolt
38	C200759A	Drive Over Tube Assembly
39	B021323	Alligator Lacing - 20" c/w Pin
40	B0186305	Rubber Belt - 20" Wide x 5' long - Laced
41	B021098	Extension Spring - 1 3/8" OD x 15.8" lg x .188" wire

---

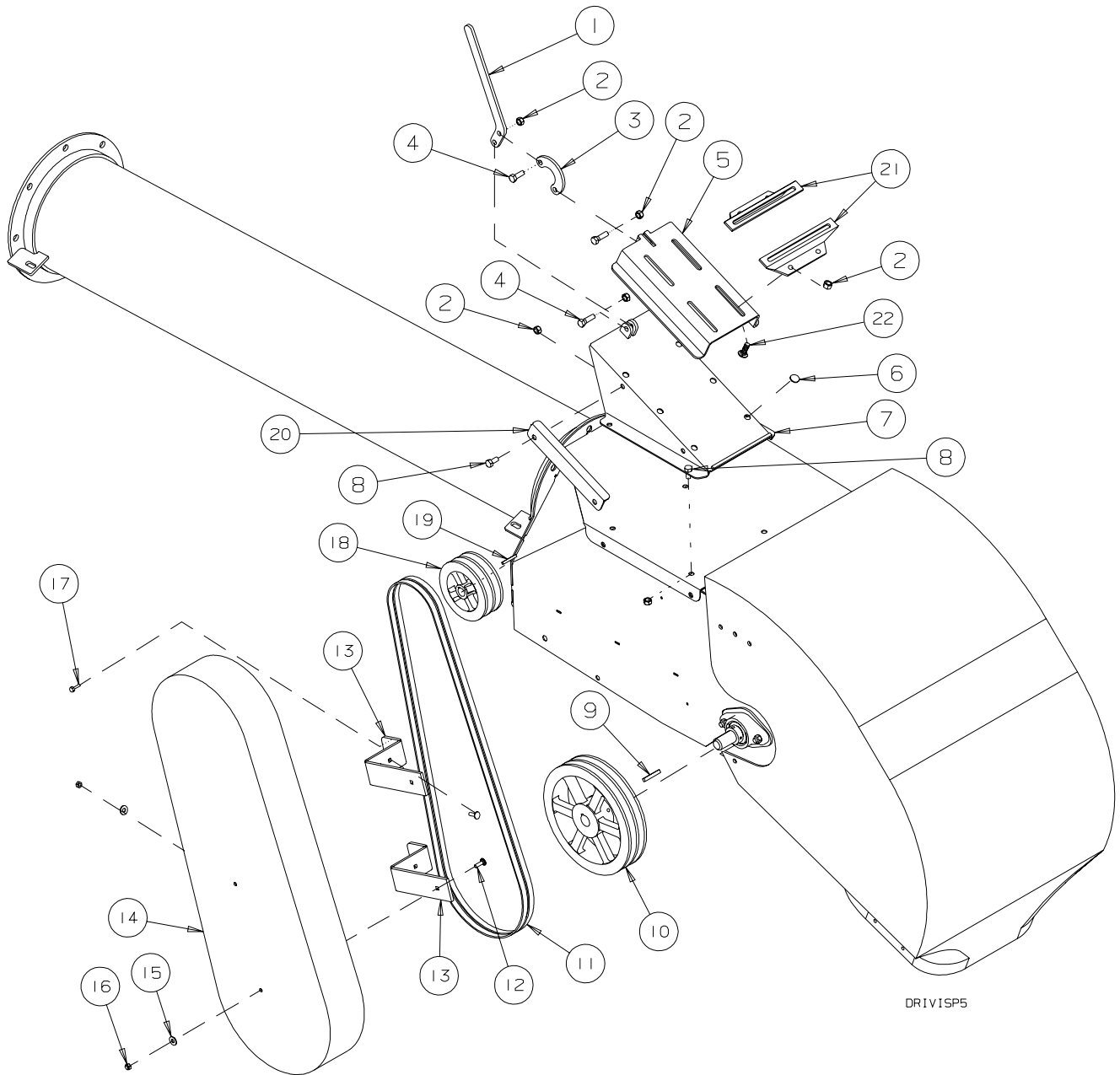
**HYDRAULIC DRIVE ASSEMBLY - GRAIN BELT DRIVE OVER CONVEYOR - 2003**  
**SERIAL NOS. 74450 - 77899**

---



REF #	PART NO.	DESCRIPTION
1	C200838	Hydraulic Motor Mount
2	C200819	Hydraulic Motor Guard
3	B002036	#10 x 5/8" TEK Screw
4	C200649	3/8" Key x 2" Long
5	B0094095	50 x 17 Sprocket - 1 1/2" Bore
6	B009601	R50-2 Roller Chain
7	B009409	50 x 17 Sprocket - 1 1/4" Bore
8	C200952	Offset Key 1/4" x 5/16" x 1 1/4" Long
9	B001043	1/2"x 1 3/4" Bolt
10	B001134	1/2" Stover Lock Nut
11	B019046	Hydraulic Motor - 6.2 cu.in./rev
12	B019147	3/4" Hydraulic Hose x 25' Long - 1/2" MPT x #10 MORB
13	B019537	1/2" MPT x 1/2" FPT Check Valve
14	B019200	1/2" FPT Pioneer Male Tips
15	B001024	3/8"x 1" Bolt
16	B001405	3/8" Serrated Flange Nut
17	C200894	Hydraulic Tip Holder
18	B0020105	5/16"x 4" U-bolt x 2 11/16"
19	B0011275	5/16" Stover Lock Nut
20	C200895A	Hose Guide
21	B496655	Keeper Pin
22	B002092	.094" x 2 1/4" Hair Pin Clip

**MOTOR DRIVE ASSEMBLY - GRAIN BELT DRIVE OVER CONVEYOR - 2003**  
**SERIAL NOS. 74450 - 77899**



REF #	PART NO.	DESCRIPTION
1	C200659	Tension Handle
2	B0011325	3/8" Stover Lock Nut
3	C200657	Motor Link
4	B001025	3/8"x 1 1/4" Bolt
5	C200658	Motor Mount
6	B027500	Plastic Wear Bushing
7	C200656	Motor Base
8	B001023	3/8"x 3/4" Bolt
9	C200649	3/8" Key x 2" Long
10	B0180305	2B Pulley - 11.75" OD x 1 1/2" Bore
11	B018069	B-75 Belt
12	B001080	1/4"x 1" Carriage Bolt
13	C200885	Drive Over Guard Mount
14	C200896	Drive Over Belt Shield - Plastic
15	B001147	1/4" Flatwasher
16	B001124	1/4" Lock Nut
17	B0020356	1/4"x 3/4" TEK Screw
18	B0180307	2B Pulley - 3.55" OD x 1 3/8" Bore
19	B496680	3/8" Key x 1 1/2" Long
20	C200655	Motor Rail
21	C200667	Motor Mount Bracket
22	B001082	3/8"x 1" Carriage Bolt