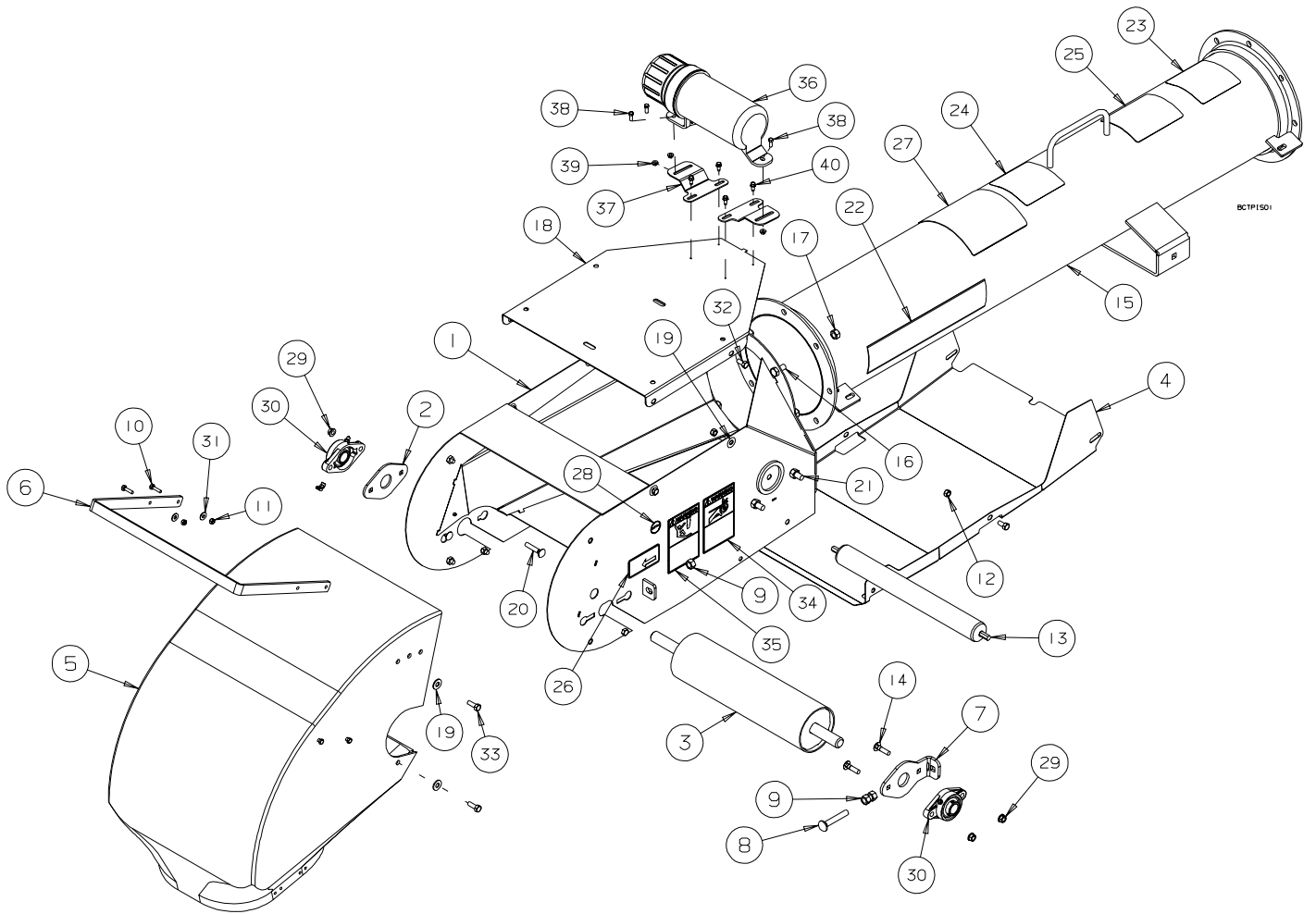


***1515 GRAINBELT TRANSFER
CONVEYORS***

PARTS LIST

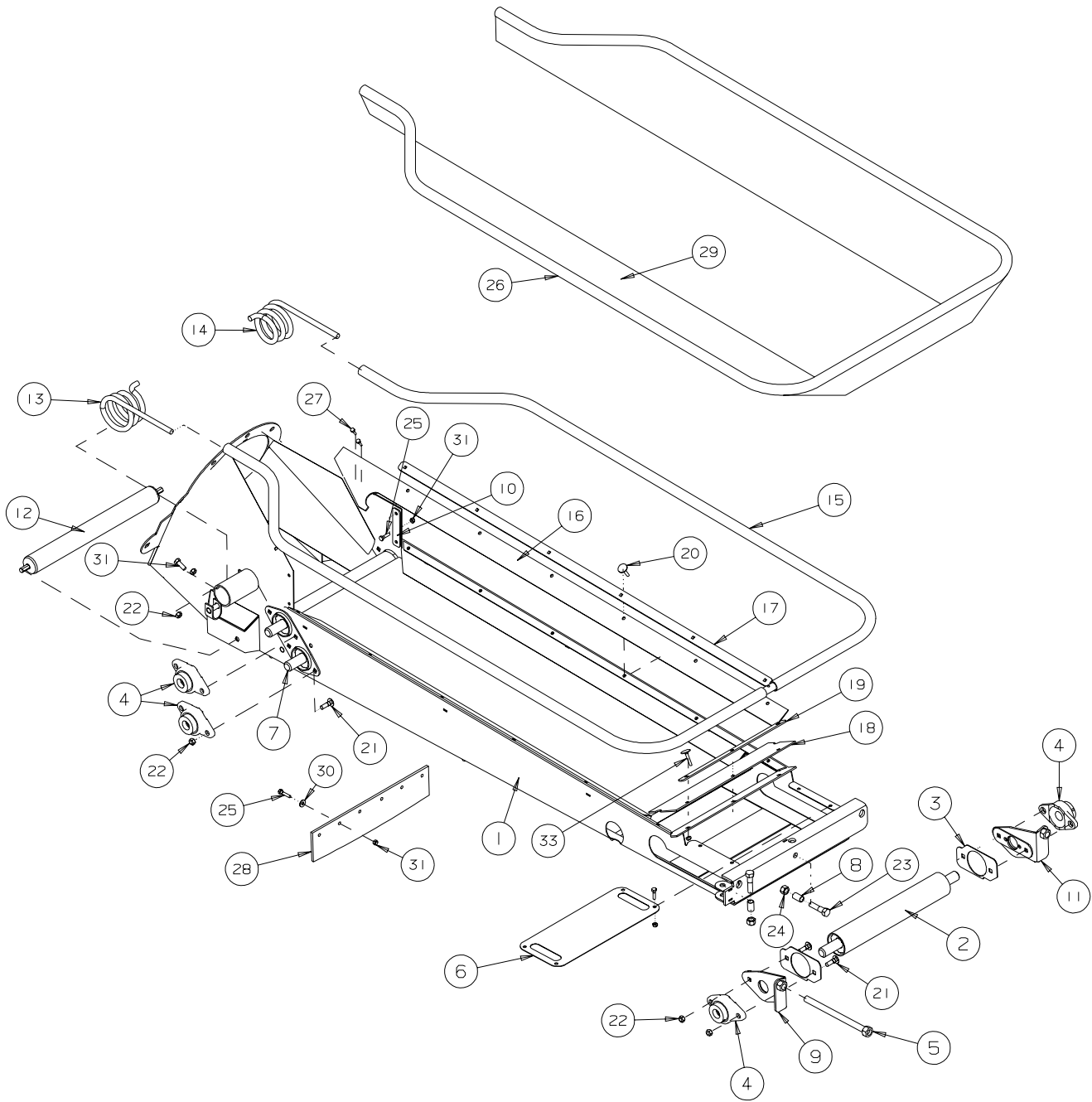
SERIAL NOS. 83500 - 117999

DISCHARGE ASSEMBLY - GRAIN BELT TRANSFER CONVEYOR
SERIAL NOS. 83500 - 117999



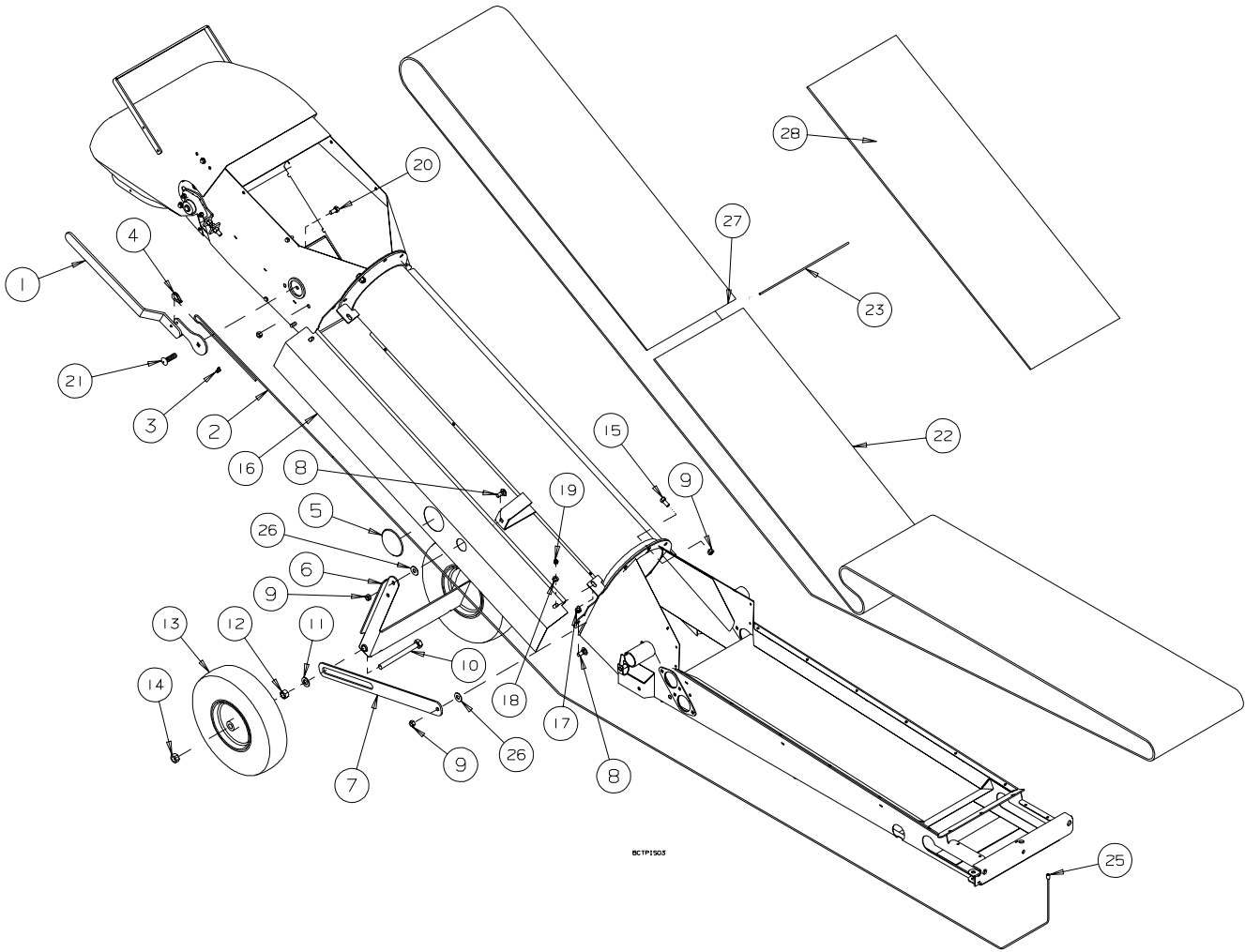
REF #	PART NO.	DESCRIPTION	QTY
1	C200717	Discharge Weldment	1
2	C200646	1" Bearing Plate	2
3	C200751	5" Lagged Roller	1
4	C200605	Discharge Bottom Guard	1
5	B027600	Discharge Spout	1
6	C200641	Transfer Handle	1
7	C200793	1" Adjustable Bearing Plate	1
8	B001091	1/2" x 3" Full Thread Carriage Bolt	1
9	B001135	1/2" Nut	3
10	B001003	1/4" x 1" Bolt	4
11	B001124	1/4" Lock Nut	4
12	B0011325	3/8" Stover Lock Nut	8
13	B021250	1.9" OD x 18" Roller	1
14	B001083	3/8" x 1 1/2" Carriage Bolt	2
15	C200741	Transfer Tube	1
16	B001039	1/2" x 1" Bolt	8
17	B001134	1/2" Stover Lock Nut	10
18	C200633	Discharge Cap	1
19	B001148	3/8" Flatwasher	4
20	B001085	3/8" x 2" Carriage Bolt	2
21	B001040	1/2" x 1 1/4" Bolt	2
22	B029148	3" x 15" Brandt Decal	2
23	B0290105	Conveyor General Info Decal	1
24	B029827	Tracking Warning Decal	1
25	B029020	Belt Speed Decal	1
26	B0294501	Left Tracking Decal	1
27	B029027	Daily Operational Checklist Decal	1
28	B029950	8 hr Grease Decal	2
29	B0011326	3/8" Flange Lock Nut	4
30	B017262	1" Bearing - 2 Bolt Flange	2
31	B001147	1/4" Flatwasher	4
32	B001023	3/8" x 3/4" Bolt	8
33	B001024	3/8" x 1" Bolt	4
34	B029966	Conveyor Discharge Decal	2
35	B029967	Downspout Warning Decal	2
36	B0275102	Round Manual Holder	1
37	C314500	Manual Holder Bracket	2
38	B001002	1/4" x 3/4" Bolt	3
39	B0011246	1/4" Locking Flange Nut	3
40	B0020356	1/4" x 3/4" TEK Screw	4

INTAKE ASSEMBLY - GRAIN BELT TRANSFER CONVEYOR
SERIAL NOS. 83500 - 117999



REF #	PART NO.	DESCRIPTION	QTY
1	C200742	Transfer Hopper Weldment	1
2	C200756	2 1/2" Transfer Take-up Roller	1
3	C200636	Back Plate	2
4	B017050	1" dia Bearing - 2 Bolt Flange	6
5	B002600	5/8"x 9" Bolt - Full Thread	2
6	C200634	Transfer Guard	1
7	C200743	2 1/2" Transfer S Roller	2
8	B002310	Spacer - 5/8" OD x .512" ID x 1" Long	2
9	C200745L	Transfer Adjustment Bracket - Left	1
10	C200796	Hopper Flap	2
11	C200745R	Transfer Adjustment Bracket - Right	1
12	B021250	1.9" x 18" Roller	1
13	B021740L	Hopper Spring - Left	1
14	B021740R	Hopper Spring - Right	1
15	C200794	Transfer Hopper Rail	1
16	B027515R	Transfer Hopper Flashing - Right	1
NS	B027515L	Transfer Hopper Flashing - Left	1
17	C200631	Side Fabric Strap	2
18	B027517	Transfer Hopper Rear Flashing	1
19	C200632	Rear fabric Strap	1
20	B002225	1/4"x 1 1/2" Elevator Bolt	12
21	B001083	3/8"x 1 1/2" Carriage Bolt	12
22	B0011325	3/8" Lock Nut	14
23	B001044	1/2"x 2" Bolt	2
24	B001136	1/2" Lock Nut	2
25	B001003	1/4"x 1" Bolt	6
26	B024082	1" Rubber Hose x 140" Long	1
27	B002036	#10 x 5/8" TEK Screw	4
28	B027518	Transfer Hopper Dozer Flashing	1
29	B021421	Transfer Hopper Fabric	1
30	B001147	1/4" Flatwasher	6
31	B001124	1/4" Lock Nut	21
32	B001024	3/8"x 1" Bolt	2
33	B002226	1/4"x 1" Elevator Bolt	3

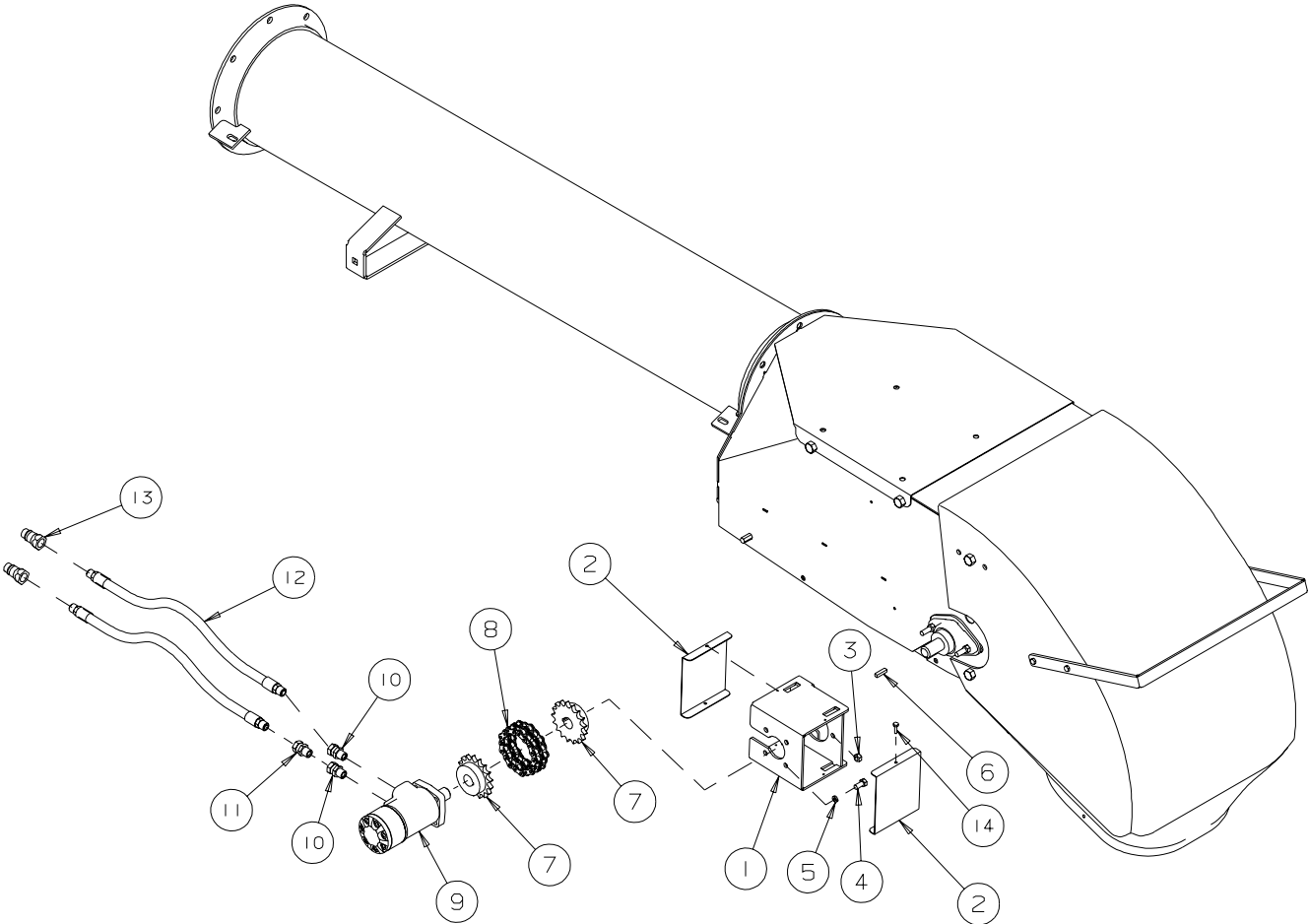
UNDERCARRIAGE ASSEMBLY - GRAIN BELT TRANSFER CONVEYOR
SERIAL NOS. 83500 - 117999



REF #	PART NO.	DESCRIPTION	QTY
1	C200784	Transfer Handle	1
2	B008405	3/16" Cable x 14'-7"	1
3	B008060	3/16" Cable Clamp	2
4	B008061	3/16" Cable Thimble	1
5	B028187	4" dia Plastic Plug	2
6	C200749	Transfer Frame	1
7	C200637	Frame Slide	2
8	B0010875	1/2"x 1 1/4" Carriage Bolt	4
9	B001134	1/2" Stover Lock Nut	7
10	B002601	3/4"x 7 1/2" Bolt - Full Thread	2
11	B001157	3/4" SAE Flatwasher	2
12	B001142	3/4" Hex Nut	2
13	B011211	4.80"x 8" Tire & Rim	2
14	B001154	3/4" Stover Lock Nut	2
15	B001139	1/2"x 1" Bolt	2
16	C200638	Transfer Wind Guard - Left	1
NS	C200638M	Transfer Wind Guard - Right	1
17	B001082	3/8"x 1" Carriage Bolt	4
18	B001149	3/8" Flatwasher	4
19	B0011325	3/8" Stover Lock Nut	4
20	B001139	1/2"x 1" Bolt	2
21	B0010875	1/2"x 1 1/4" Carriage Bolt	1
22	B018616	Rubber Belt - 29'-6" Long - Laced	1
23	C204584	15" Lacing Pin Kit	1
25	B008059	3/16" Aluminum Swage Sleeve	1
26	B001151	1/2" Flatwasher	4
27	B021321	Alligator Lacing - 15" c/w Pin	1
28	8020557	Rubber Belt - 5' - Laced	

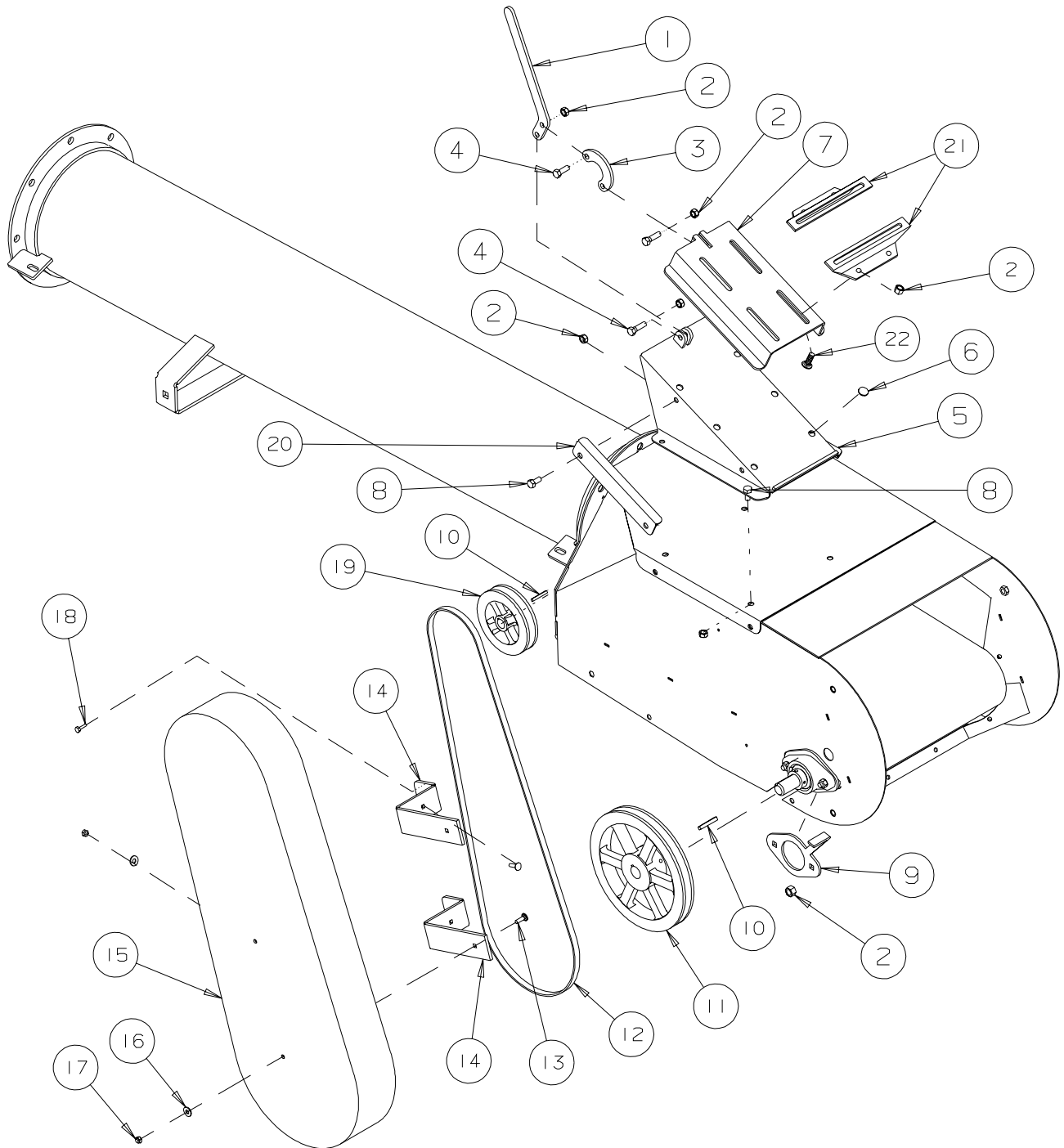
HYDRAULIC DRIVE ASSEMBLY - GRAIN BELT TRANSFER CONVEYOR

SERIAL NOS. 83500 - 117999



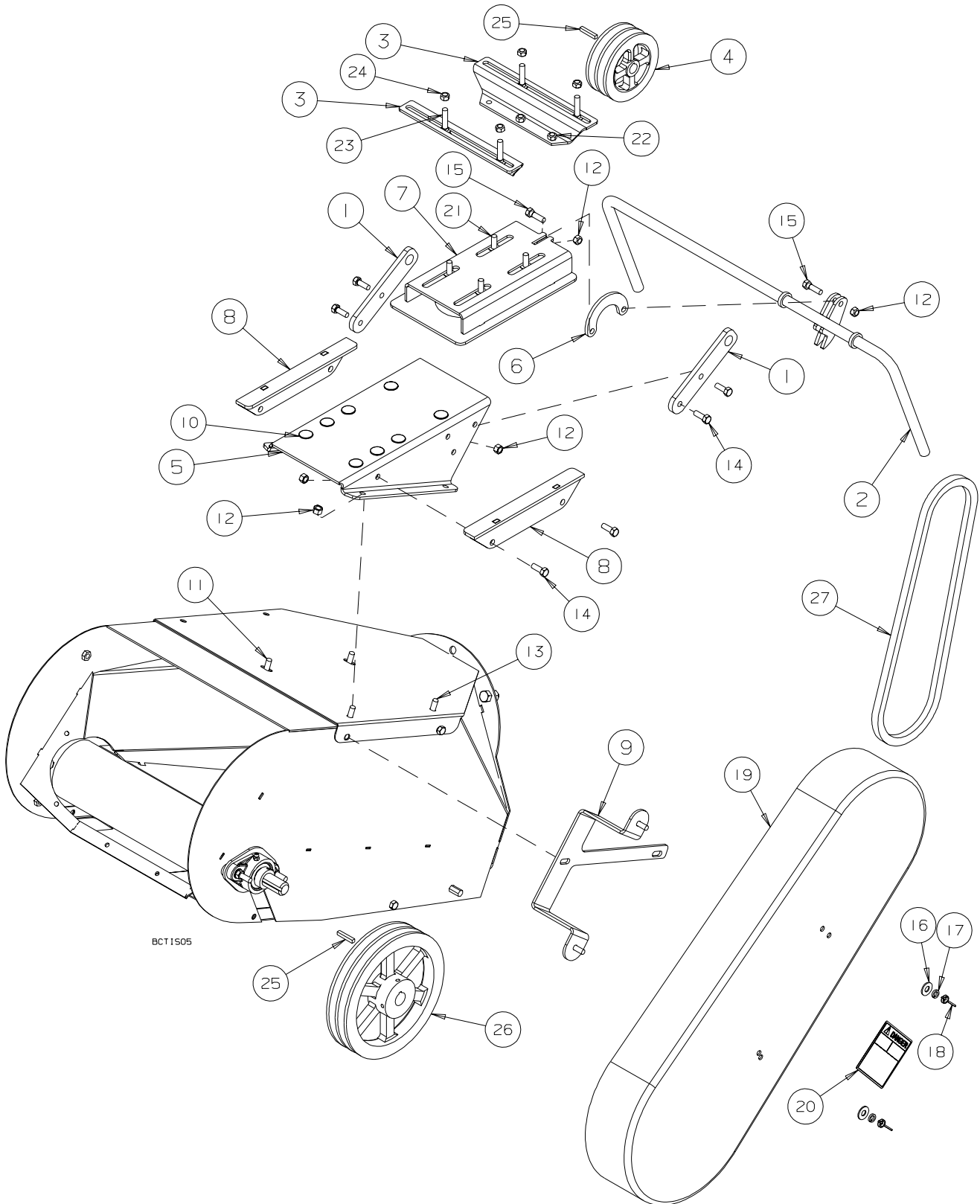
REF #	PART NO.	DESCRIPTION	QTY
1	C200750	Hydraulic Motor Mount	1
2	C200654	Hydraulic Motor Guard	2
3	B0011325	3/8" Stover Lock Nut	2
4	B001023	3/8"x 3/4" Bolt	4
5	B001165	3/8" Lockwasher	4
6	B185206	1/4" Key x 1 1/4" Long	1
7	B009410	50 x 17 Sprocket - 1" Bore	2
8	B009601	R50-2 Roller Chain	1
9	B0190435	Hydraulic Motor - 5.9 cu.in./ rev	1
10	B019511	#10 MORB x 1/2" FPT Adapter Fitting	2
11	B019537	1/2" MPT x 1/2" FPT Check Valve	1
12	B019074	3/8" Hydraulic Hose x 15' Long - 1/2" MPT Both Ends	2
13	B019200	1/2" FPT Pioneer Male Tips	2
14	B002036	#10 x 5/8" TEK Screw	4

ELECTRIC MOTOR DRIVE ASSEMBLY - GRAIN BELT TRANSFER CONVEYOR
SERIAL NOS. 83500 - 117999



REF #	PART NO.	DESCRIPTION	QTY
1	C200659	Tension Handle	1
2	B0011325	3/8" Stover Lock Nut	17
3	C200657	Motor Link	1
4	B001025	3/8"x 1 1/4" Bolt	3
5	C200658	Motor Mount	1
6	B027500	Plastic Wear Bushing	6
7	C200656	Motor Base	1
8	B001023	3/8"x 3/4" Bolt	8
9	C200664	Belt Keeper	1
10	B496740	1/4" Key x 1 1/2" Long	1
11	B018030	1B Pulley - 12.0" OD x 1" Bore - Electric Drive	1
12	B018079	B-67 Belt - Electric Drive	1
13	B0010799	1/4"x 3/4" Carriage Bolt	4
14	C200663	Transfer Guard Mount	2
15	B027522	Transfer Belt Shield - Plastic	1
16	B001147	1/4" Flatwasher	4
17	B001124	1/4" Lock Nut	4
18	B0020356	1/4"x 3/4" TEK Screw	2
19	B0180097	1B Pulley - 4.25" OD x 1 1/8" Bore - Electric Drive	1
20	C200655	Motor Rail	2
21	C200667	Motor Mount Bracket	2
22	B001082	3/8"x 1" Carriage Bolt	4

GAS ENGINE DRIVE ASSEMBLY - GRAIN BELT TRANSFER CONVEYOR
SERIAL NOS. 83500 - 117999



REF #	PART NO.	DESCRIPTION	QTY
1	C2060021	Pivot Tab	2
2	C205019	Handle	1
3	B695298	Motor Mount	3
4	B018038	2B Pulley - 5.5" OD x 1" Bore - Gas Drive	1
5	C206658	Engine Mount	1
6	C205021	Motor Mount Link	1
7	C206656	Motor Base	1
8	C205655	Motor Rail	2
9	C2060009	Guard Mount	1
10	B027500	Nylatron Wear Bushing	8
11	B001432	3/8"x 3/4" Serrated Flange Bolt	2
12	B0011325	3/8" Stover Lock Nut	14
13	B001023	3/8"x 3/4" Bolt	2
14	B001024	3/8"x 1" Bolt	8
15	B001025	3/8"x 1 1/4" Bolt	2
16	B001149	3/8" Flatwasher	2
17	B001165	3/8" Lockwasher	2
18	B0011327	3/8" Wing Nut	2
19	B027522	Transfer Belt Guard	1
20	B029111	Moving Part Hazard Decal	1
21	B001453	1/2"x 1" Serrated Flange Bolt	4
22	B001409	1/2" Serrated Flange Nut	4
23	B001083	3/8"x 1 1/4" Carriage Bolt	4
24	B001405	3/8" Serrated Flange Nut	4
25	B689169	1/4" Key x 1 1/2" Long	1
26	B0180316	Pulley - 2BK67H x 1" Bore - Gas Drive	1
27	B018049	B-70 Belt	1
28	B001149	3/8" Flatwasher	4